



US00D558510S

(12) **United States Design Patent**  
**Bodum**

(10) **Patent No.:** **US D558,510 S**

(45) **Date of Patent:** **\*\* Jan. 1, 2008**

(54) **TEAPOT**

(75) **Inventor:** **Jørgen Bodum**, St. Niklausen (CH)

(73) **Assignee:** **Pi-Design, AG**, Triengen (CH)

(\*\*) **Term:** **14 Years**

(21) **Appl. No.:** **29/252,192**

(22) **Filed:** **Jan. 19, 2006**

(30) **Foreign Application Priority Data**

Jul. 20, 2005 (DK) ..... DA 2005 00211

(51) **LOC (8) Cl.** ..... **07-01**

(52) **U.S. Cl.** ..... **D7/321; D7/312**

(58) **Field of Classification Search** ..... D7/319,  
D7/318, 317, 321, 312, 598, 600; 210/238;  
99/322, 323, 317, 319, 295; 222/129.1-129.4,  
222/571, 481

See application file for complete search history.

(56) **References Cited**

**U.S. PATENT DOCUMENTS**

D1,419 S \* 5/1861 Young ..... D7/321  
1,336,491 A \* 4/1920 Stern ..... 222/189.07  
D68,560 S \* 10/1925 Anduze ..... D7/321  
1,558,776 A \* 10/1925 Barratt ..... 222/481  
1,571,116 A \* 1/1926 Green et al. .... 222/108  
1,590,968 A \* 6/1926 Forman ..... 99/319  
1,600,031 A \* 9/1926 Barratt ..... 220/318  
1,619,065 A \* 3/1927 Forman ..... 99/319  
1,758,407 A \* 5/1930 Parkinson ..... 99/317  
1,886,415 A \* 11/1932 Mitchell ..... 99/295

2,214,623 A \* 9/1940 Millen ..... 222/481  
2,506,211 A \* 5/1950 Grodde ..... 222/108  
D185,054 S \* 4/1959 Winans ..... D7/321  
D261,097 S \* 10/1981 Wallace et al. .... D8/61  
D272,884 S \* 3/1984 Seibel ..... D7/321  
D334,686 S \* 4/1993 Wiley ..... D7/321  
5,453,189 A \* 9/1995 Joergensen ..... 210/238  
D373,500 S \* 9/1996 Lee ..... D7/320  
D380,336 S \* 7/1997 Zive ..... D7/321  
6,431,417 B1 \* 8/2002 Kumar ..... 222/571  
D486,989 S \* 2/2004 Bodum ..... D7/321  
D495,193 S \* 8/2004 Moore et al. .... D7/321

\* cited by examiner

*Primary Examiner*—Marianne Pandozzi

(74) *Attorney, Agent, or Firm*—Cowan, Liebowitz & Latman, PC

(57) **CLAIM**

The ornamental design for a teapot, as shown and described.

**DESCRIPTION**

FIG. 1 is a perspective view of the teapot showing a first embodiment of my design thereof;

FIG. 2 is a front view thereof;

FIG. 3 is a rear view thereof;

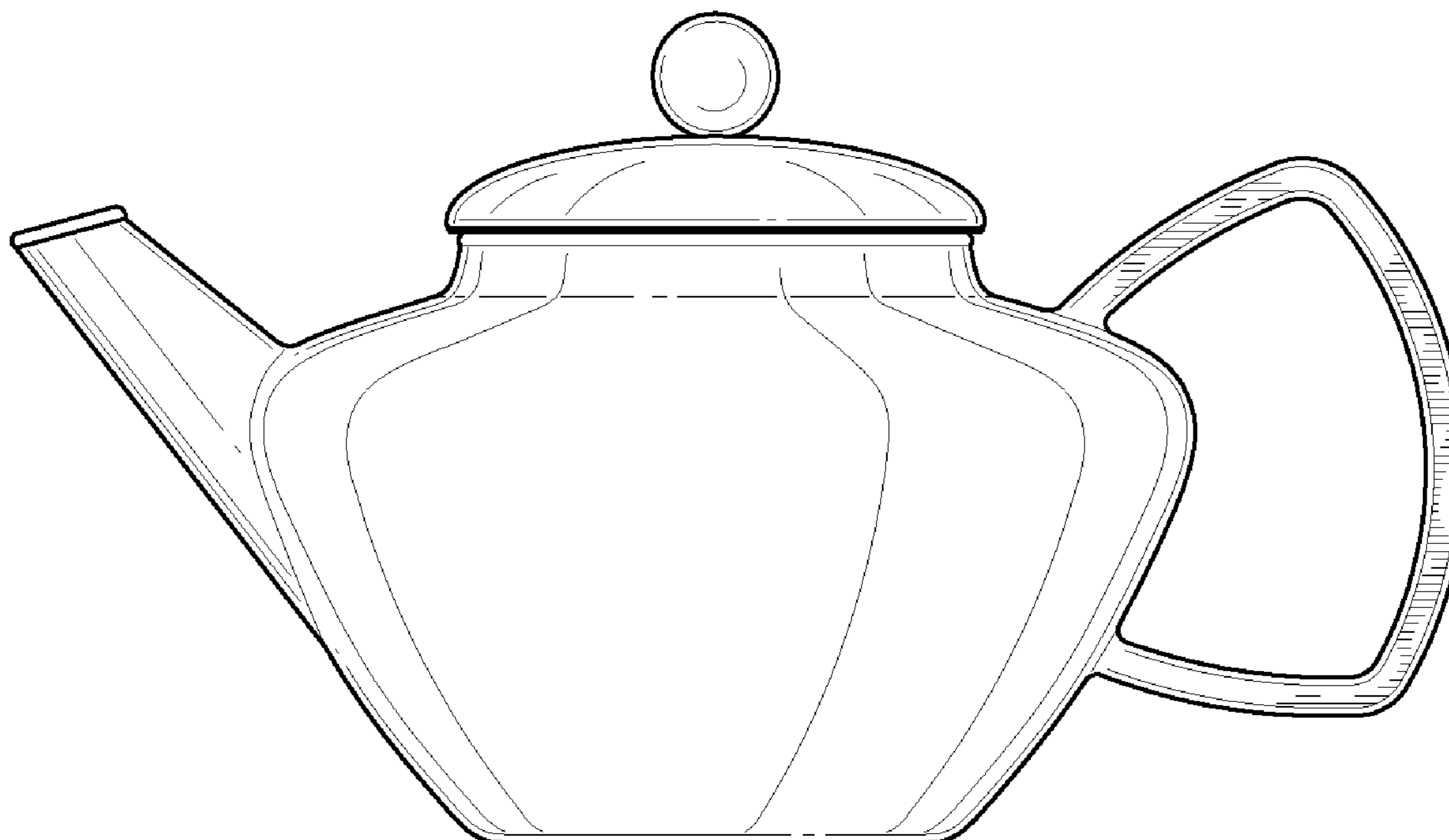
FIG. 4 is a left side view thereof;

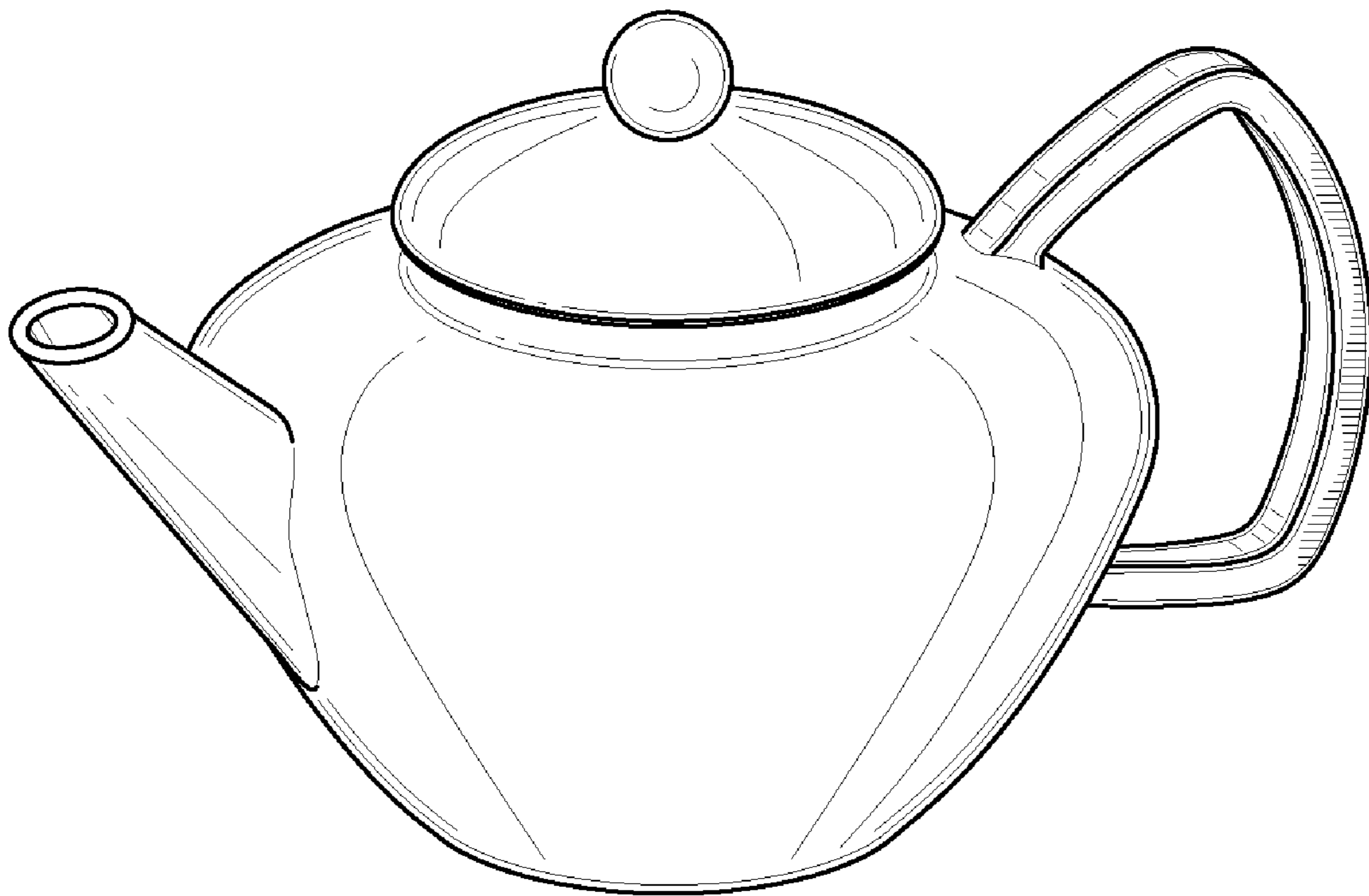
FIG. 5 is a right side view thereof;

FIG. 6 is a top view thereof; and,

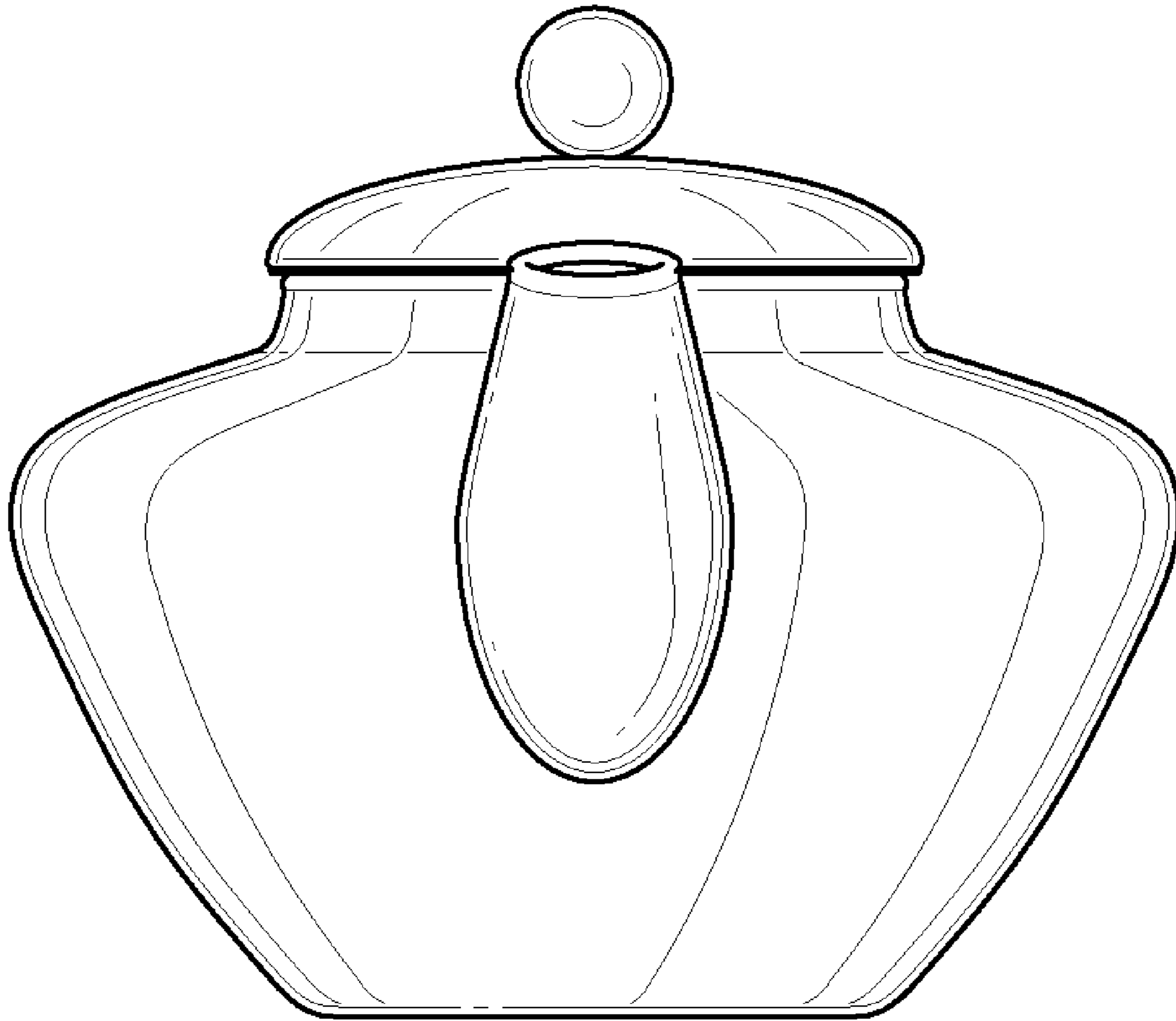
FIG. 7 is a bottom view thereof.

**1 Claim, 7 Drawing Sheets**

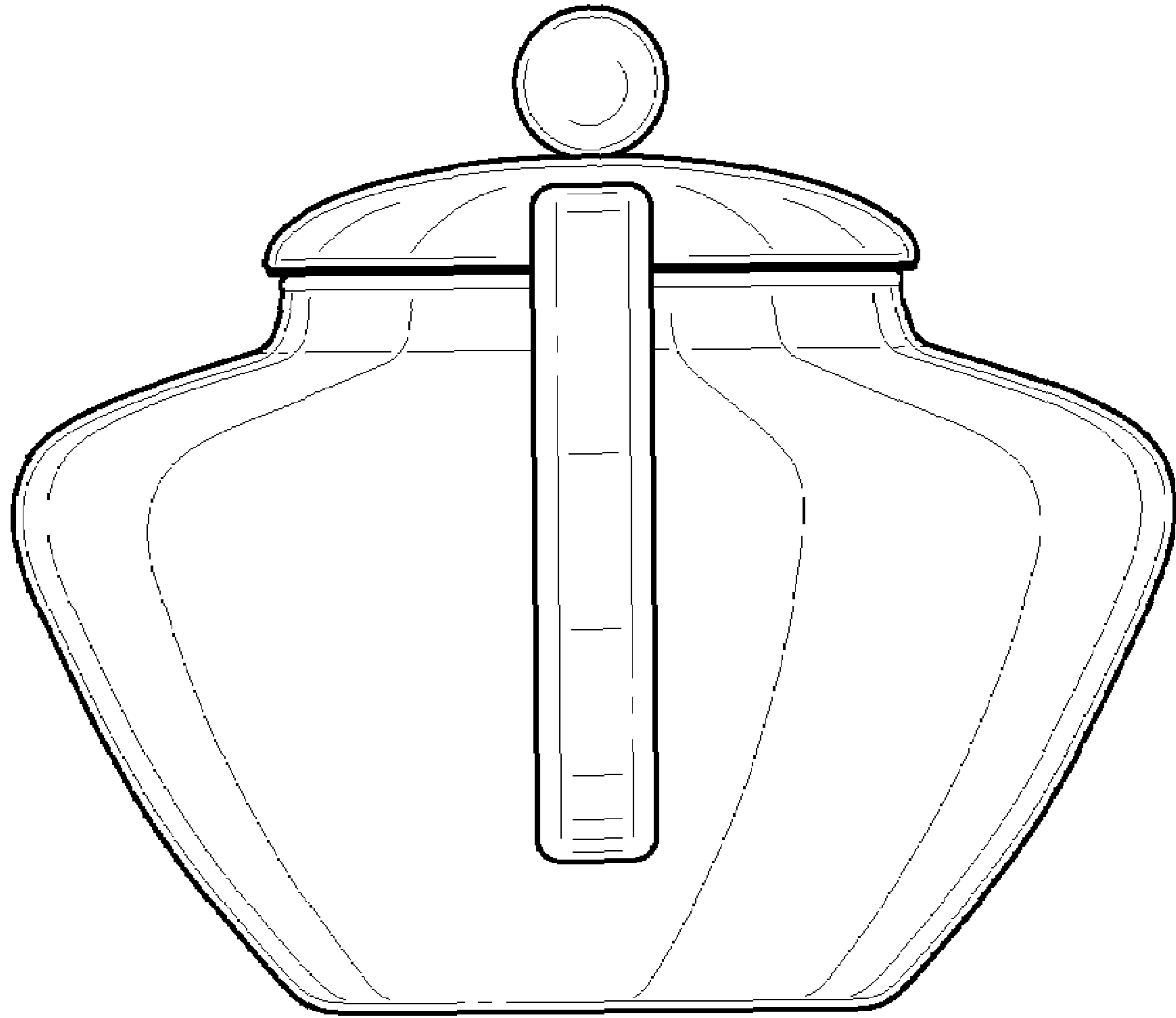




**FIG. 1**



**FIG. 2**



**FIG. 3**

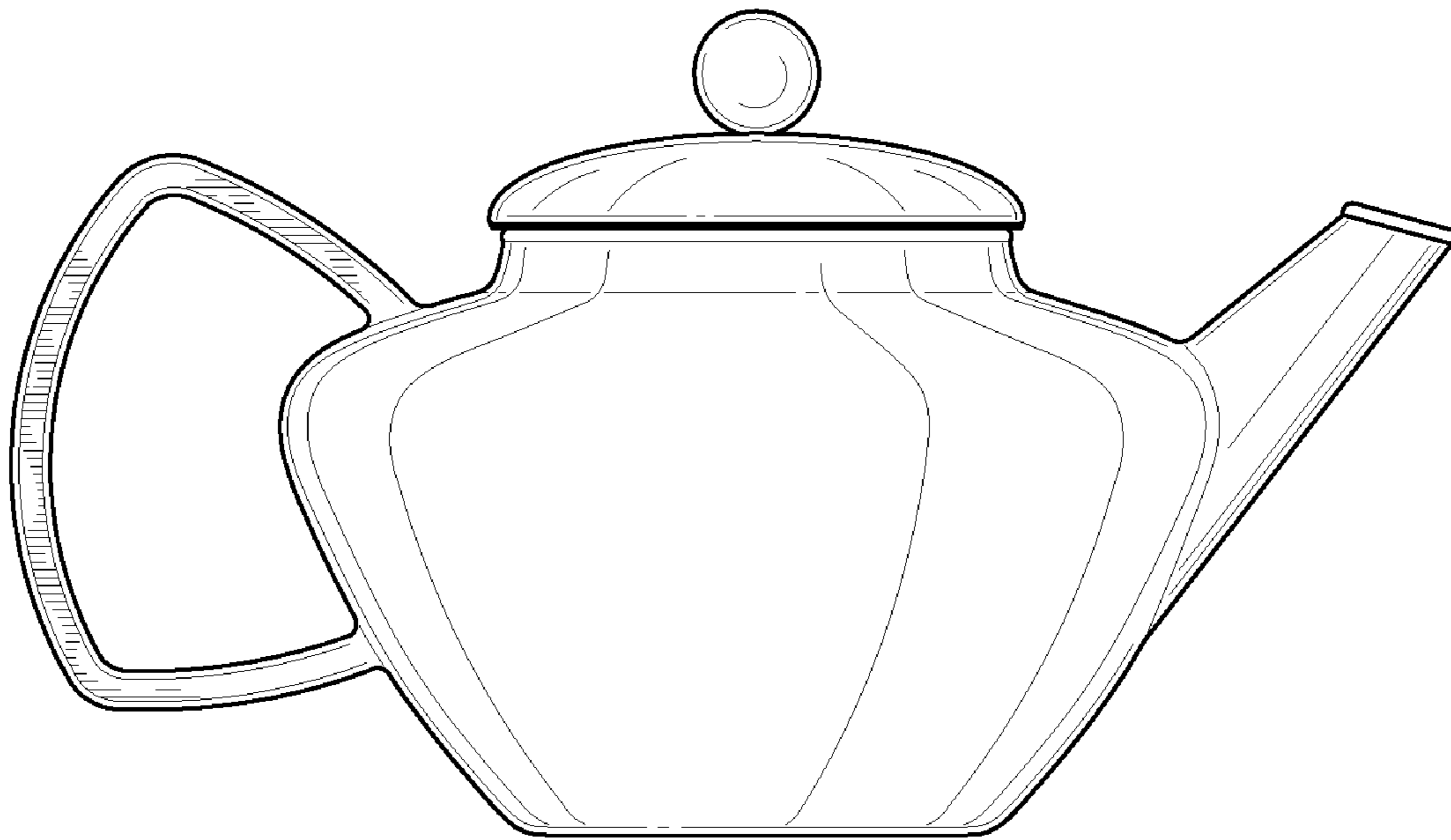


FIG. 4

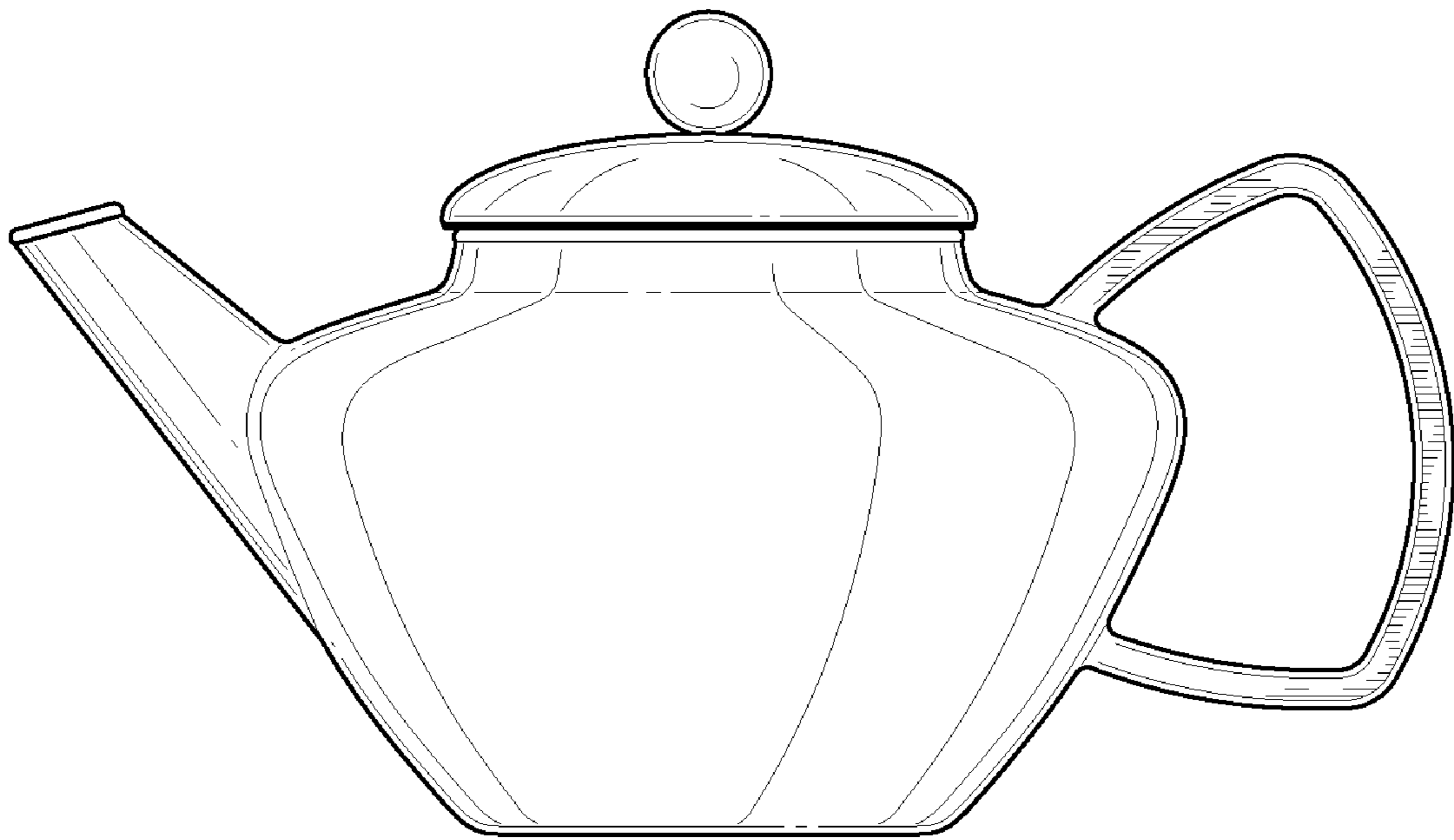
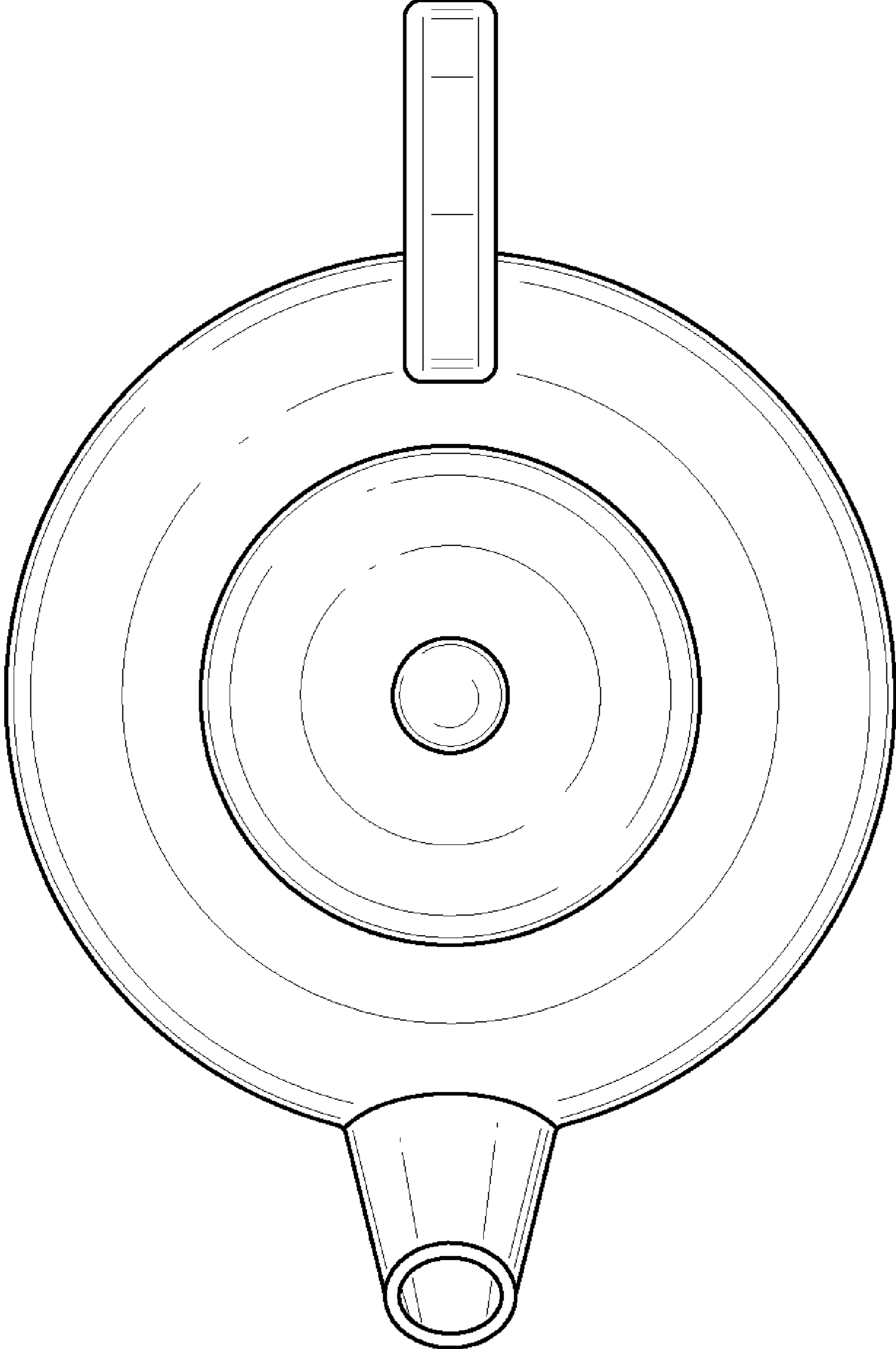
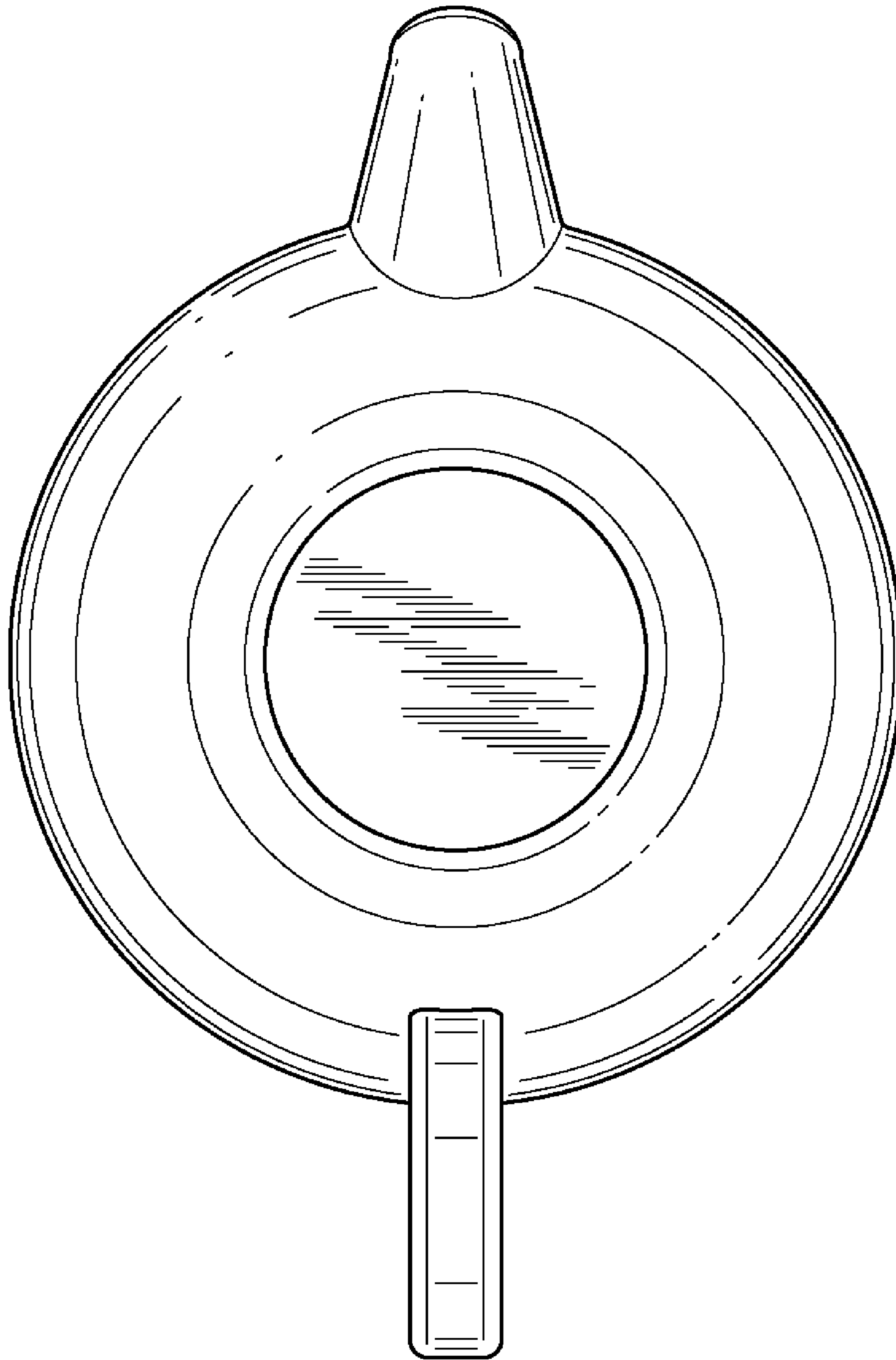


FIG. 5



**FIG. 6**



**FIG. 7**