



US00D558504S

(12) **United States Design Patent**
Ben-Shlomo et al.

(10) **Patent No.: US D558,504 S**
(45) **Date of Patent: ** Jan. 1, 2008**

(54) **DISPENSER**

(75) Inventors: **Tal Eldar Ben-Shlomo**,
Ramat-Hasharon (IL); **Itamar Burstein**,
Tel Aviv (IL); **Guy Ben Zur**, Skokie,
IL (US)

(73) Assignees: **Golden GT LLC** IL (US); **Shlomo Ben-David**, Chicago, IL (US)

(**) Term: **14 Years**

(21) Appl. No.: **29/253,554**

(22) Filed: **Feb. 9, 2006**

(51) **LOC (8) Cl.** **07-01**

(52) **U.S. Cl.** **D7/306; D7/311**

(58) **Field of Classification Search** D7/300,
D7/306-308, 311, 305, 589, 590; 222/129.1,
222/129.2, 129.3, 129.4, 413; 99/323, 295
See application file for complete search history.

(56) **References Cited**

U.S. PATENT DOCUMENTS

D251,564 S * 4/1979 MacKrell D7/311
D282,617 S * 2/1986 Hogan D7/589
D296,405 S * 6/1988 Weaver D7/589

D328,220 S * 7/1992 Barnard et al. D7/589
D365,962 S * 1/1996 Amundsen et al. D7/311
D390,753 S * 2/1998 Danemayer D7/589
5,833,097 A * 11/1998 Ruth 222/368
D510,675 S * 10/2005 Ball D7/306
D531,457 S * 11/2006 Gold et al. D7/589
7,210,410 B1 * 5/2007 Widener 102/502

* cited by examiner

Primary Examiner—M. N. Pandozzi

(74) *Attorney, Agent, or Firm*—Pearl Cohen Zedek Latzer,
LLP

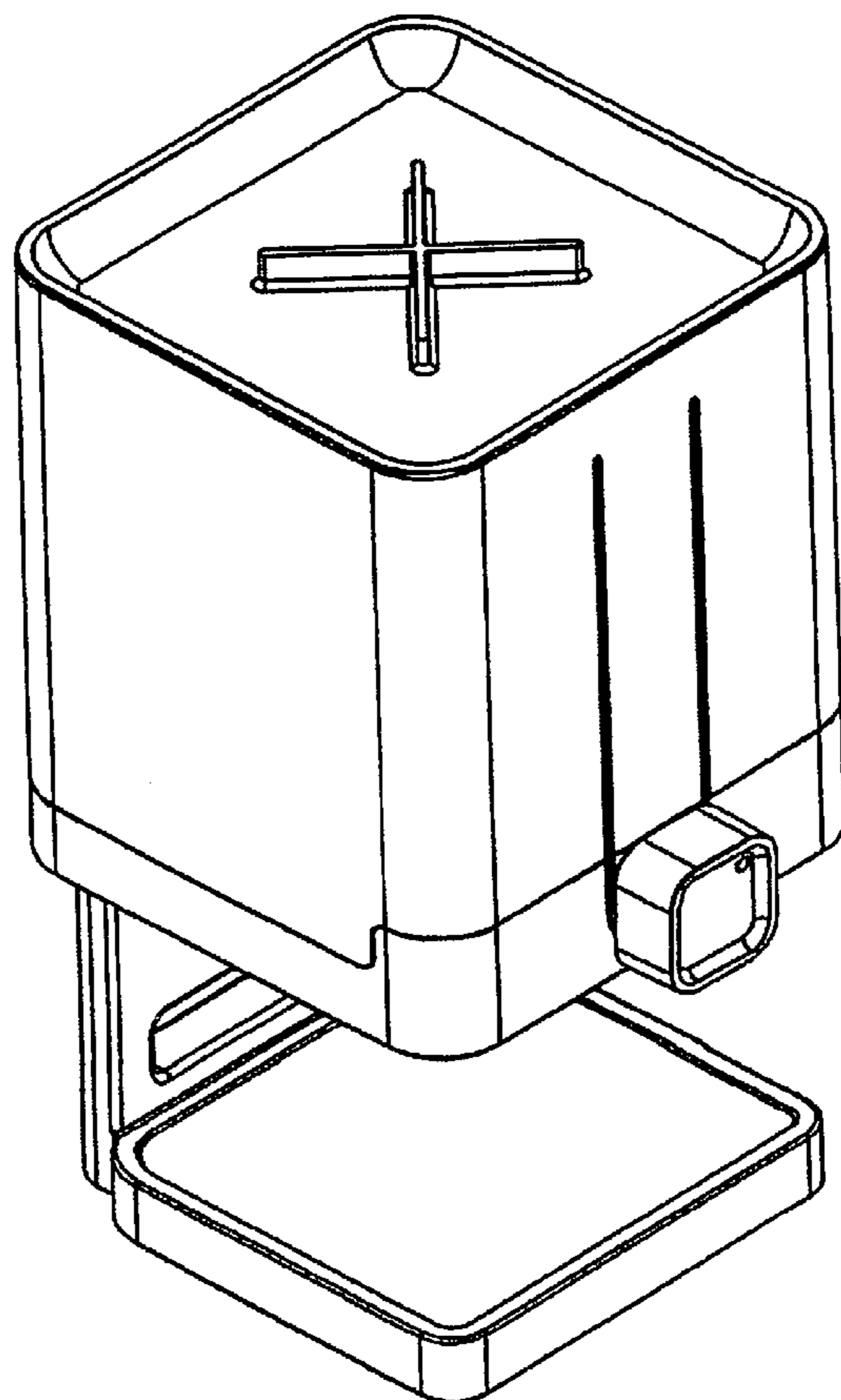
(57) **CLAIM**

The ornamental design for a dispenser, as shown and described.

DESCRIPTION

FIG. 1 is a perspective view of the dispenser;
FIG. 2 is a front view of the dispenser shown in FIG. 1;
FIG. 3 is a back view of the dispenser shown in FIG. 1;
FIG. 4 is a side view thereof, the opposite side being a mirror image thereof; and,
FIG. 5 is a top view of the dispenser shown in FIG. 1.

1 Claim, 5 Drawing Sheets



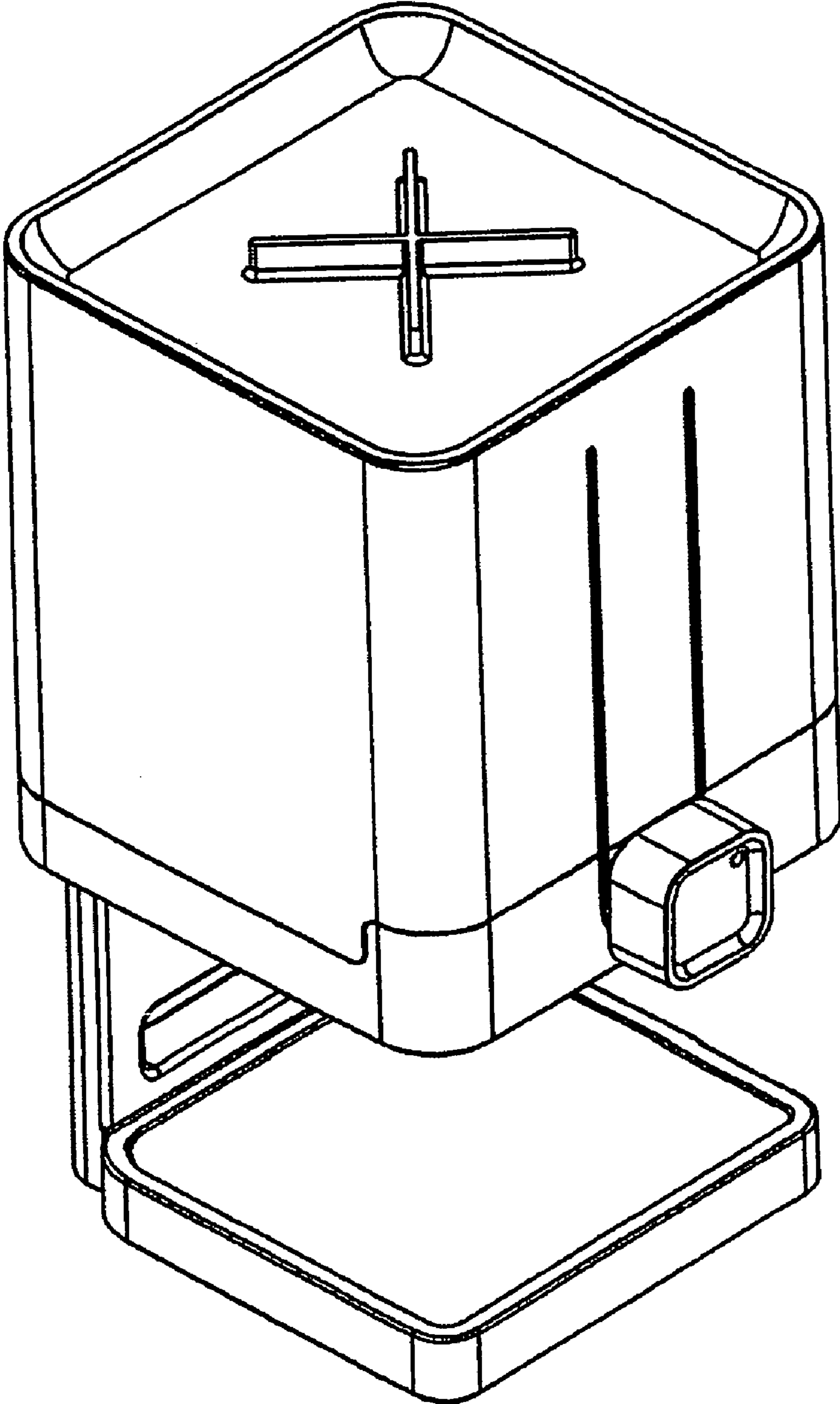


Fig. 1

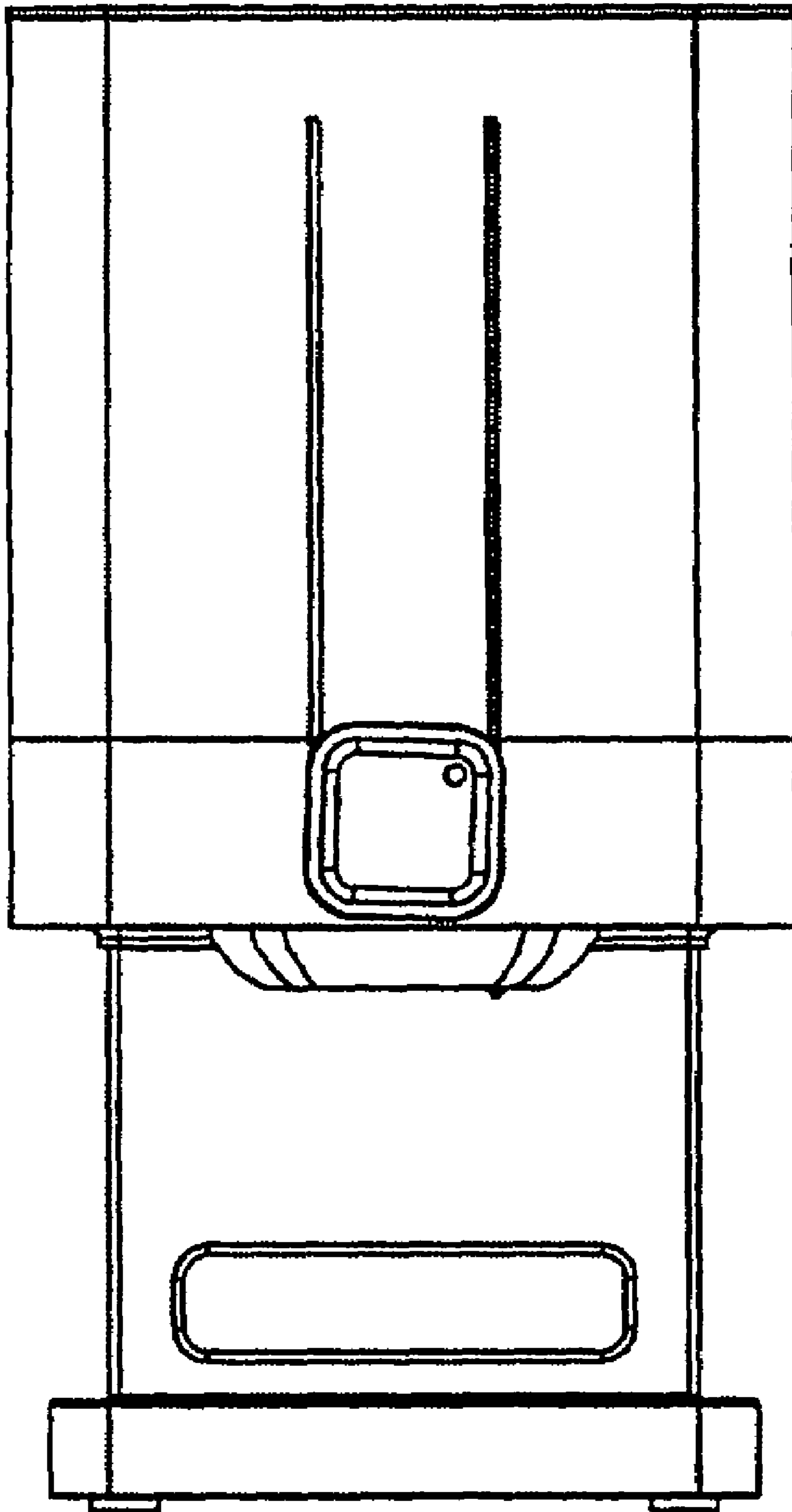


Fig. 2

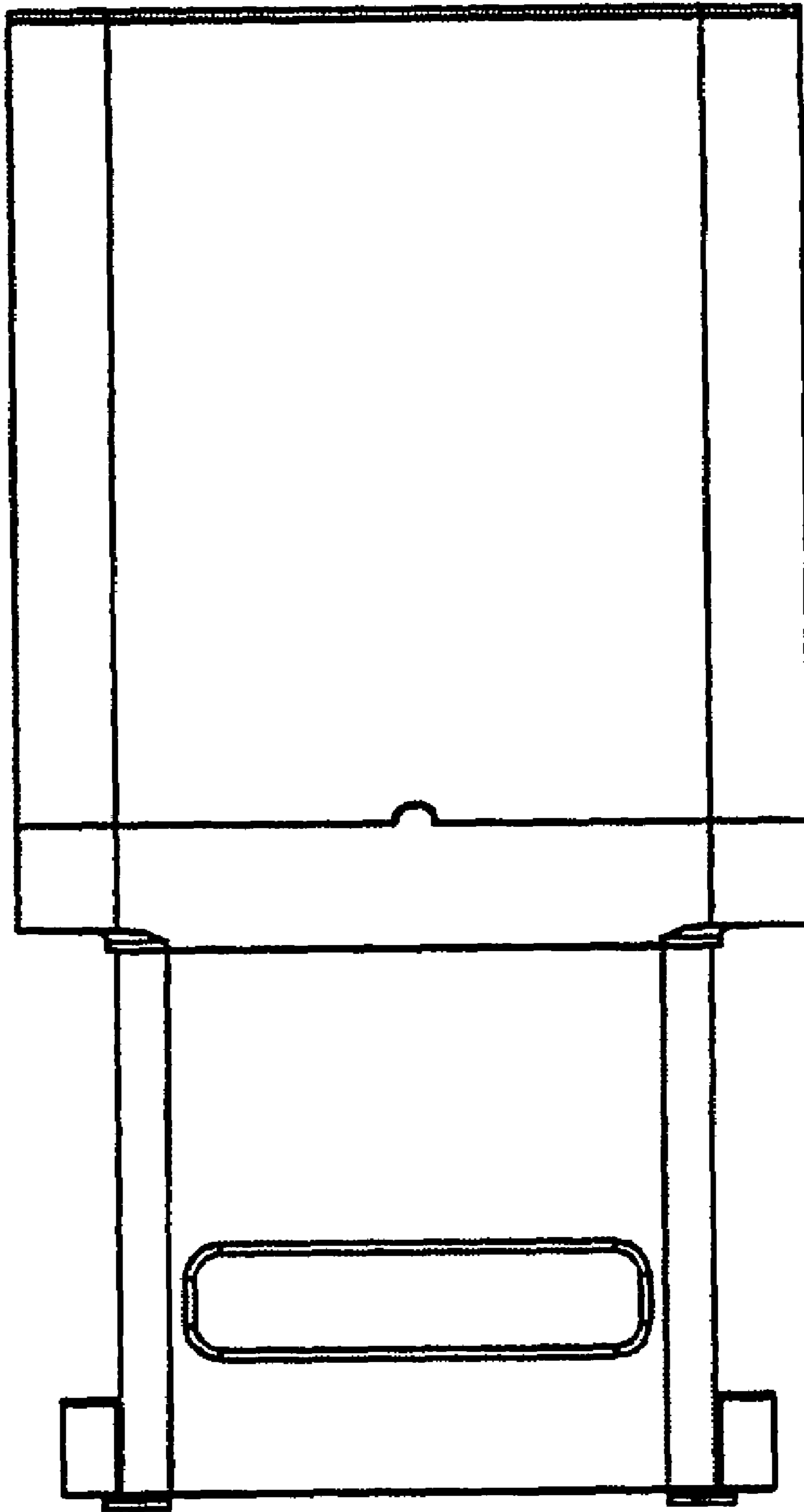


Fig. 3

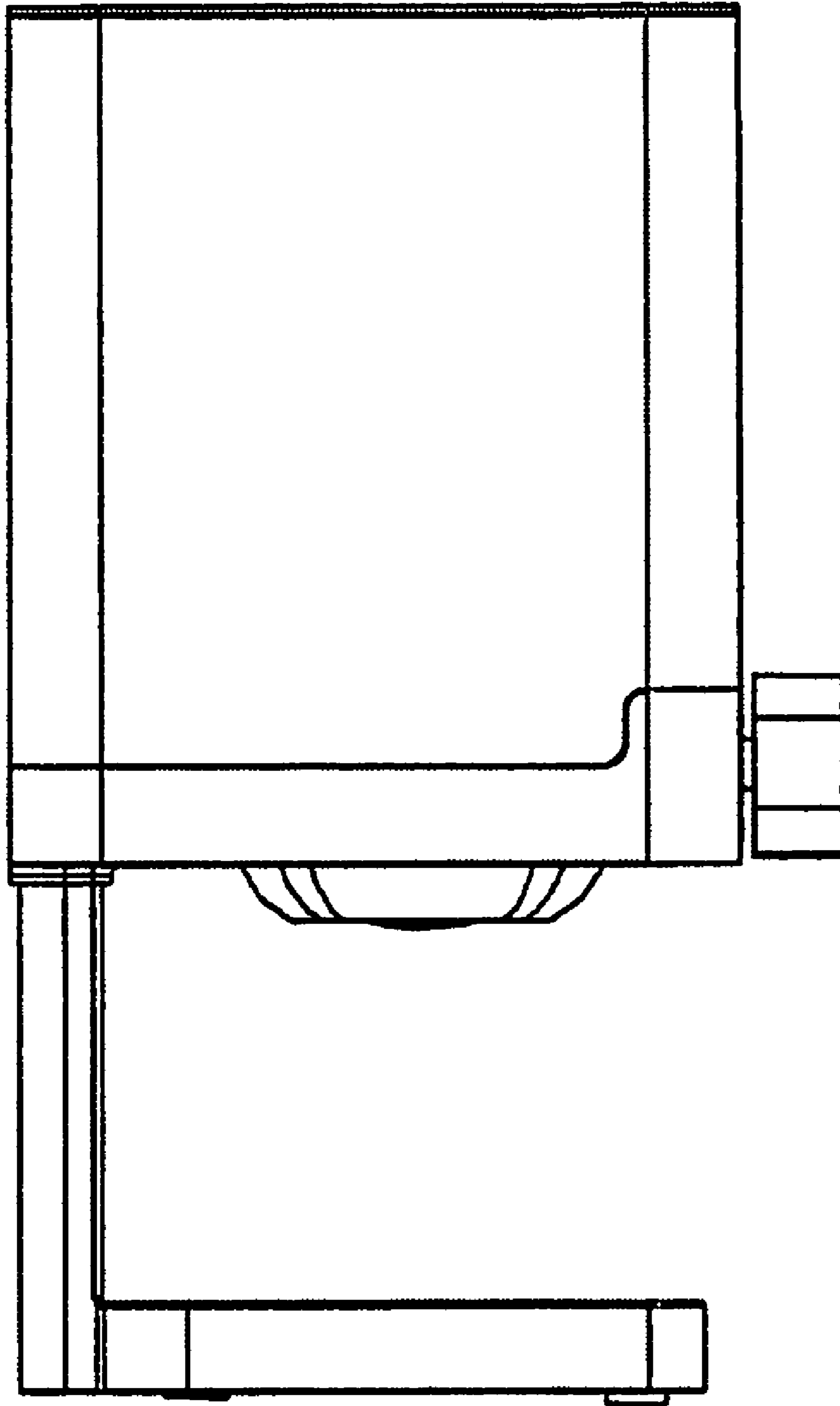


Fig. 4

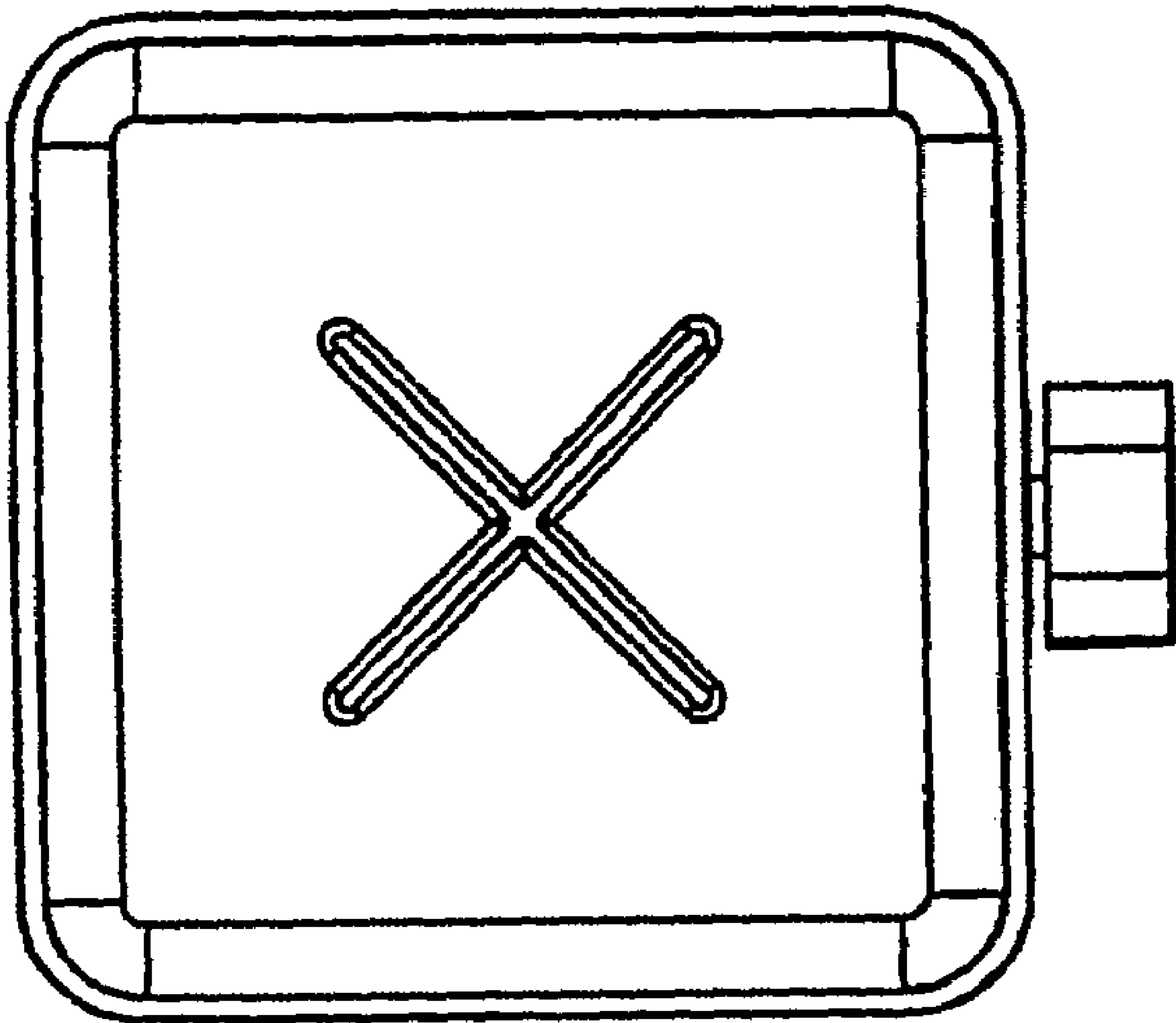


Fig. 5