



US00D558503S

(12) **United States Design Patent** (10) **Patent No.:** **US D558,503 S**
Hurley (45) **Date of Patent:** **** Jan. 1, 2008**

(54) **COMPACT DISK HOLDER**

2005/0167301 A1 8/2005 Oram

FOREIGN PATENT DOCUMENTS

(76) Inventor: **George R. Hurley**, 4427 Beacon Lane,
Mississauga, Ontario (CA) L5C 4K7

GB PCT/GB2005/000299 1/2005

* cited by examiner

(**) Term: **14 Years**

Primary Examiner—Ian Simmons

Assistant Examiner—Charles D Hanson

(21) Appl. No.: **29/258,657**

(74) *Attorney, Agent, or Firm*—Kenneth M. Bush; Bush
Intellectual Property Law

(22) Filed: **Apr. 25, 2006**

(51) **LOC (8) Cl.** **06-04**

(57) **CLAIM**

(52) **U.S. Cl.** **D6/635**

(58) **Field of Classification Search** D6/407,
D6/626–635; D3/294, 295, 299; D14/474,
D14/478, 477; 211/40, 41.1, 41.12; 206/307,
206/307.1, 308.1, 309, 311, 312, 313, 310,
206/751; 720/718–721; D19/75
See application file for complete search history.

The ornamental design for a compact disk holder, as shown
and described.

DESCRIPTION

(56) **References Cited**

U.S. PATENT DOCUMENTS

921,822	A *	5/1909	Gaul	206/312
D222,819	S *	1/1972	Del Corno et al.	D6/632
4,770,474	A *	9/1988	Ackeret	312/9.63
4,875,743	A *	10/1989	Gelardi et al.	312/9.42
5,417,323	A *	5/1995	Presnick	206/309
5,425,451	A *	6/1995	Blase	206/313
D383,936	S *	9/1997	McCracken	D6/627
D391,438	S *	3/1998	Stewart et al.	D6/634
5,779,037	A *	7/1998	D'Agaro et al.	206/308.1
D417,812	S *	12/1999	Rubin	D6/632
6,193,061	B1 *	2/2001	Lew et al.	206/308.1
6,318,550	B1 *	11/2001	Giovinazzi	206/308.1
6,347,701	B1 *	2/2002	Lee	206/308.1
6,561,346	B1 *	5/2003	Lew et al.	206/308.1
6,874,626	B2 *	4/2005	Lew et al.	206/308.1
6,938,759	B2 *	9/2005	Golden et al.	206/308.3
D514,366	S *	2/2006	Gaestel	D6/630
7,104,397	B2 *	9/2006	Ulrich	206/308.1

FIG. 1 is a front perspective view of the compact disk holder
showing my new design;

FIG. 2 is a front perspective view of the compact disk holder
having one sleeve rotated out of the device;

FIG. 3 is a front perspective view of the compact disk holder
having all sleeves rotated out of the device;

FIG. 4 is a front elevational view of the compact disk holder;

FIG. 5 is a rear elevational view of the compact disk holder;

FIG. 6 is a left side elevational view of the compact disk
holder;

FIG. 7 is a right side elevational view of the compact disk
holder;

FIG. 8 is a top plan view of the compact disk holder;

FIG. 9 is a bottom view of the compact disk holder;

FIG. 10 is a front elevational view of the compact disk
holder having all sleeves equally rotated out of the device;
and,

FIG. 11 is a rear elevational view of the compact disk holder
having all sleeves equally rotated out of the device.

1 Claim, 5 Drawing Sheets

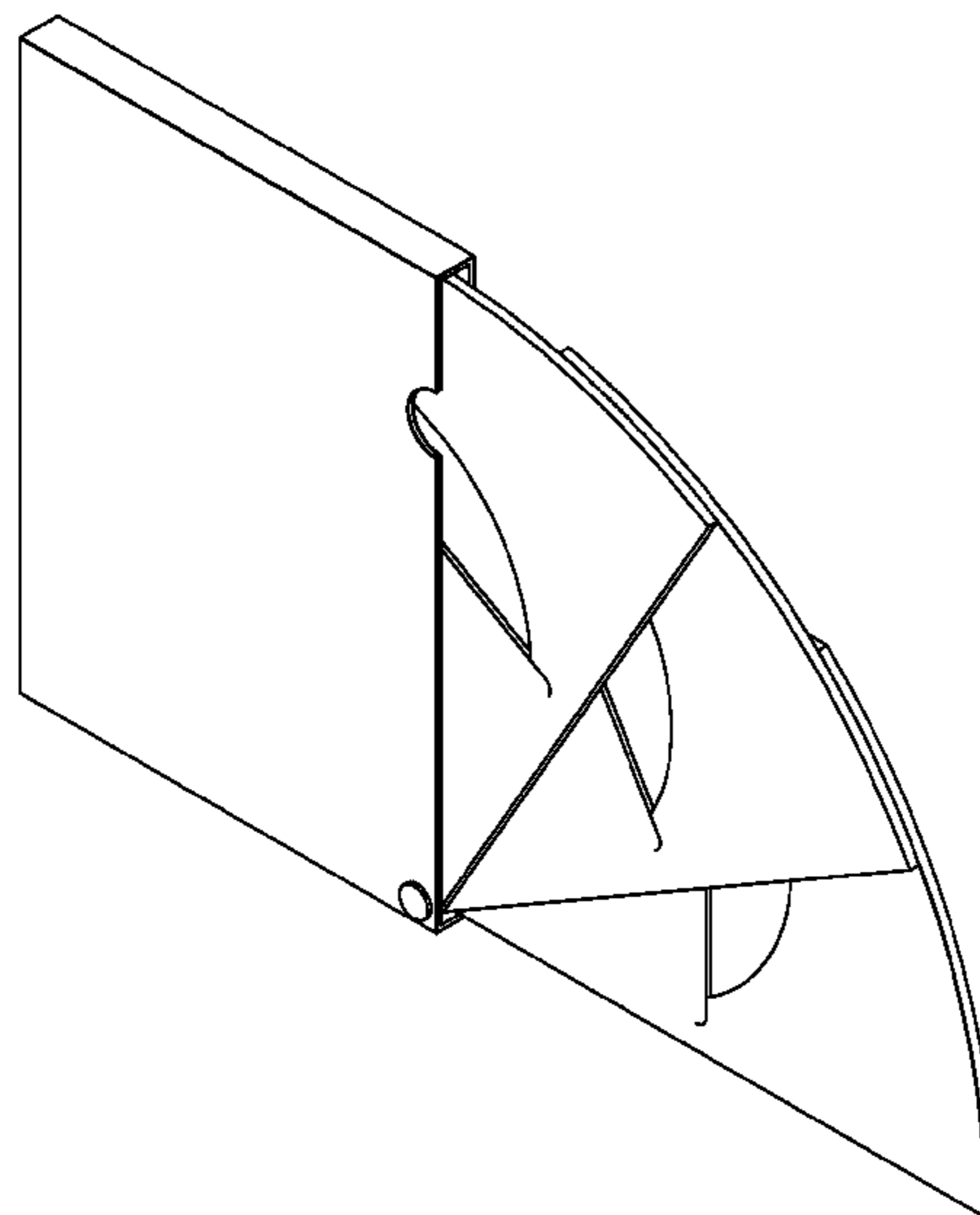


FIG. 1

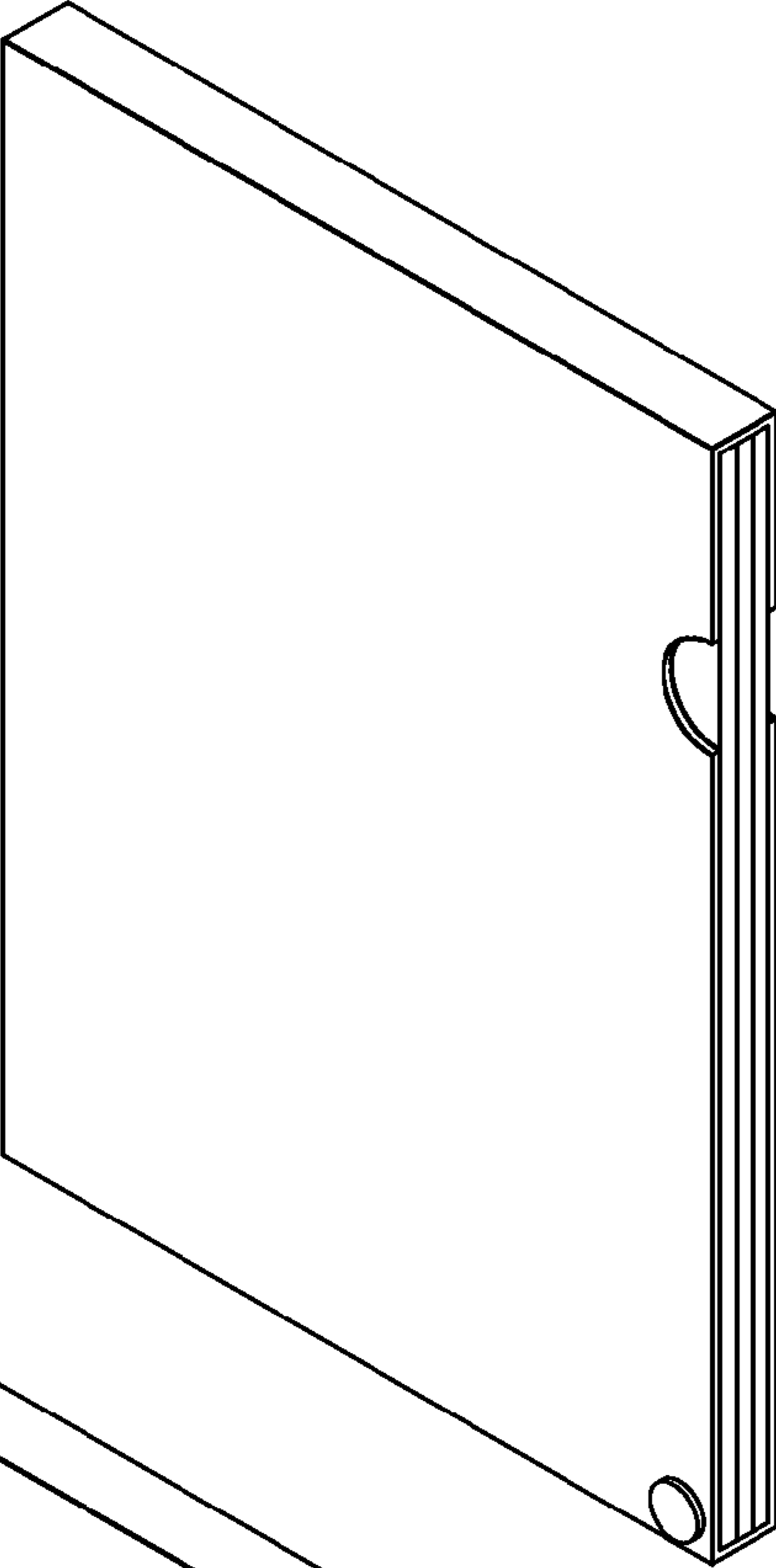
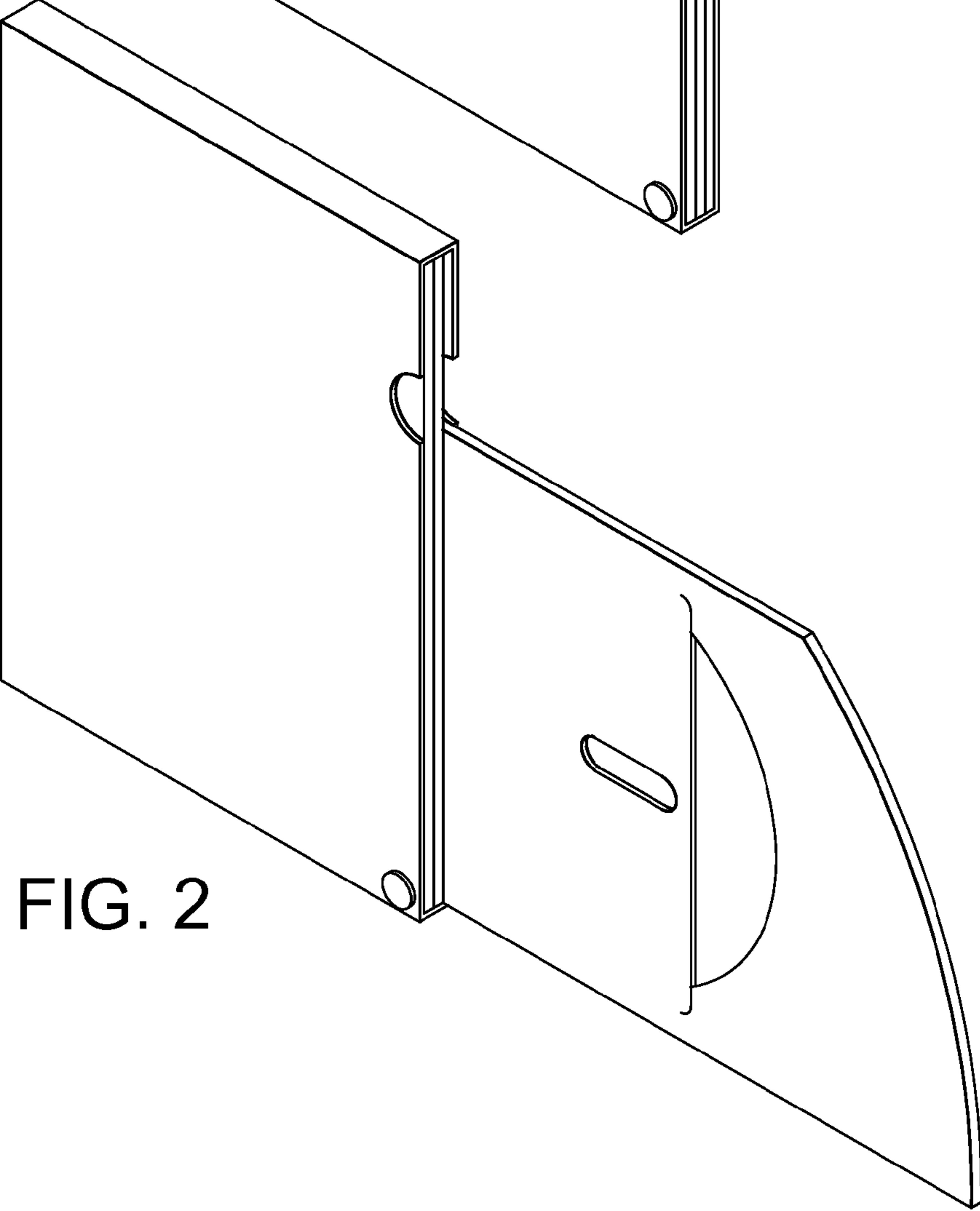


FIG. 2



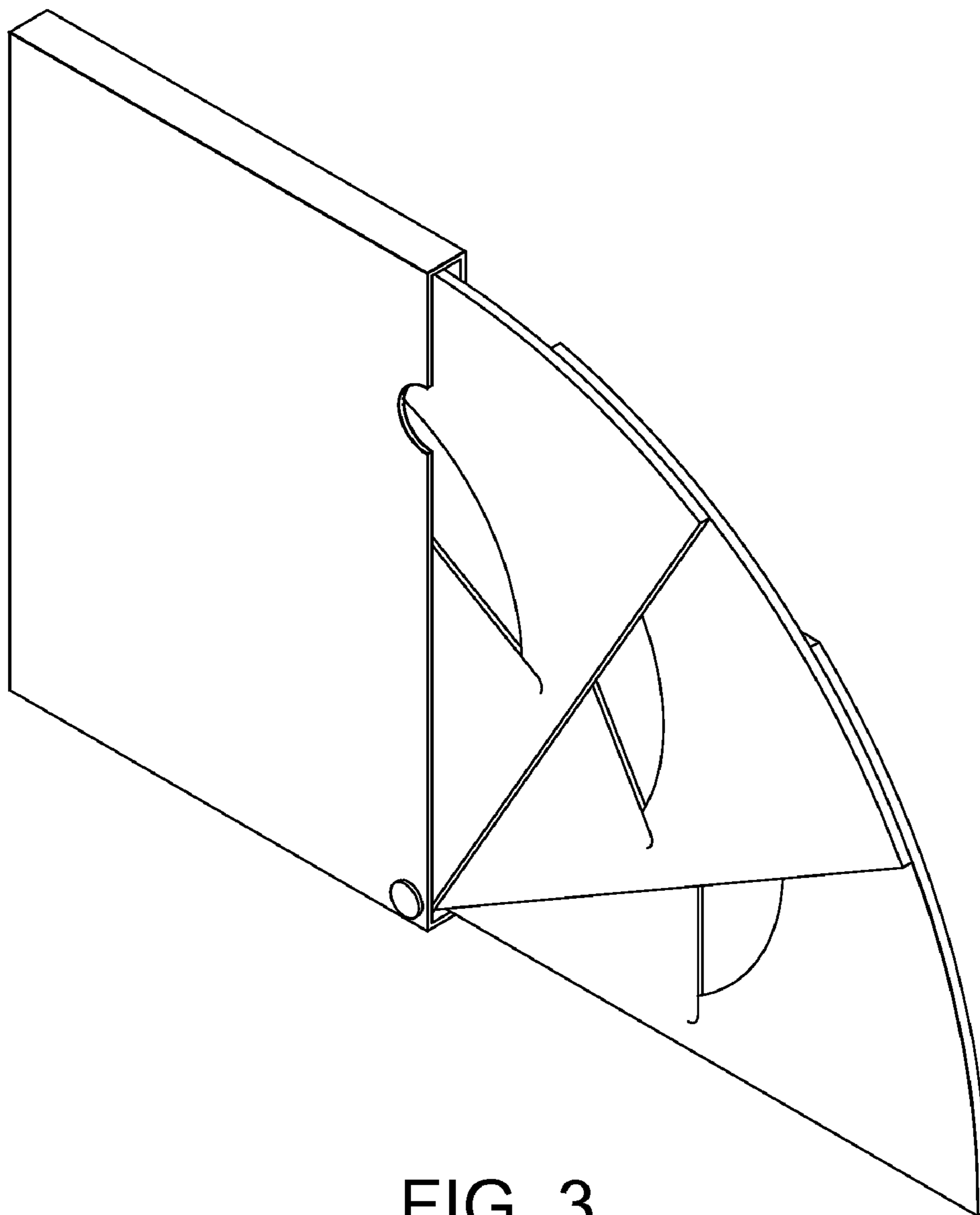


FIG. 3

FIG. 4



FIG. 5

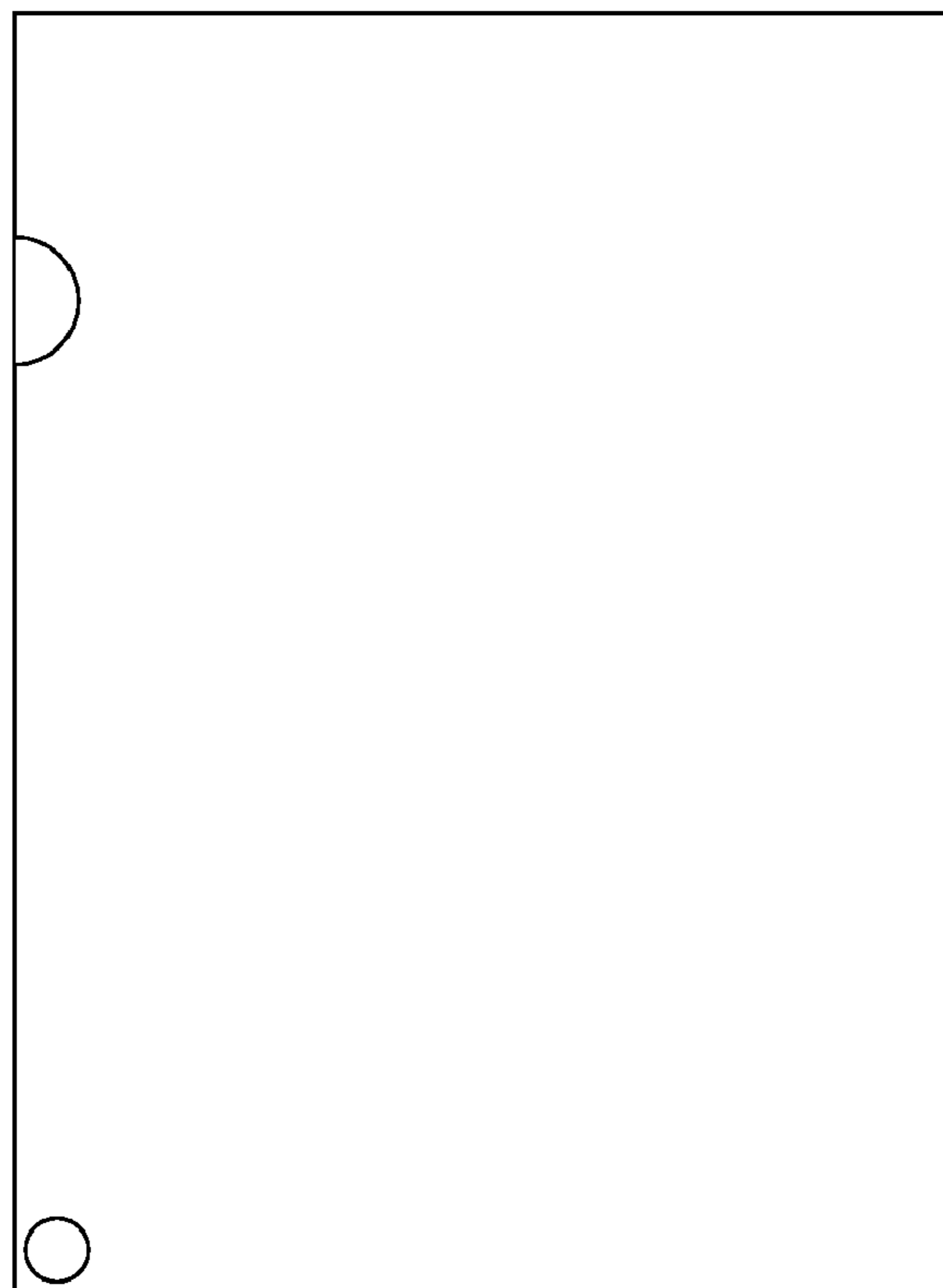




FIG. 6



FIG. 7

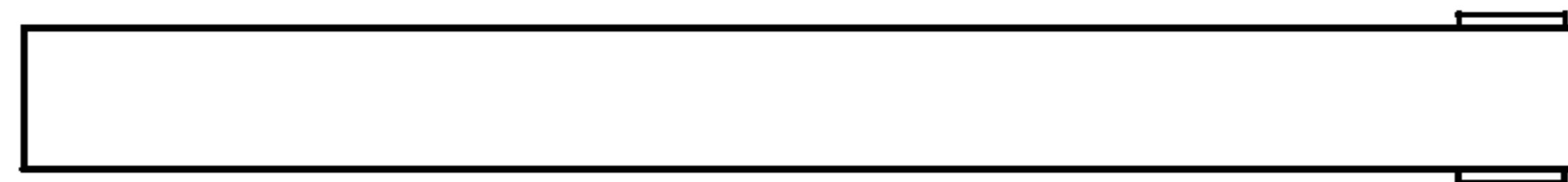


FIG. 8

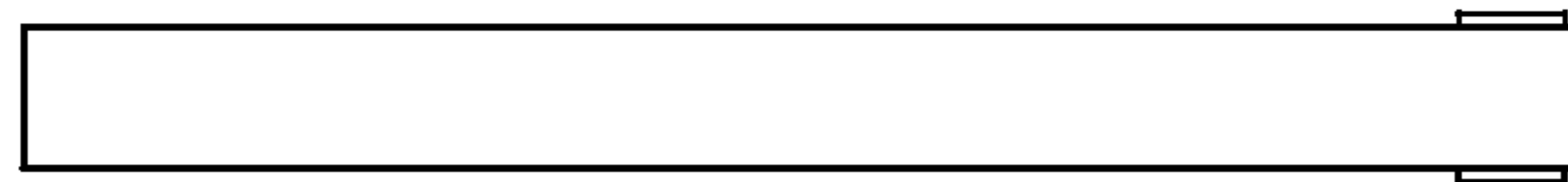


FIG. 9

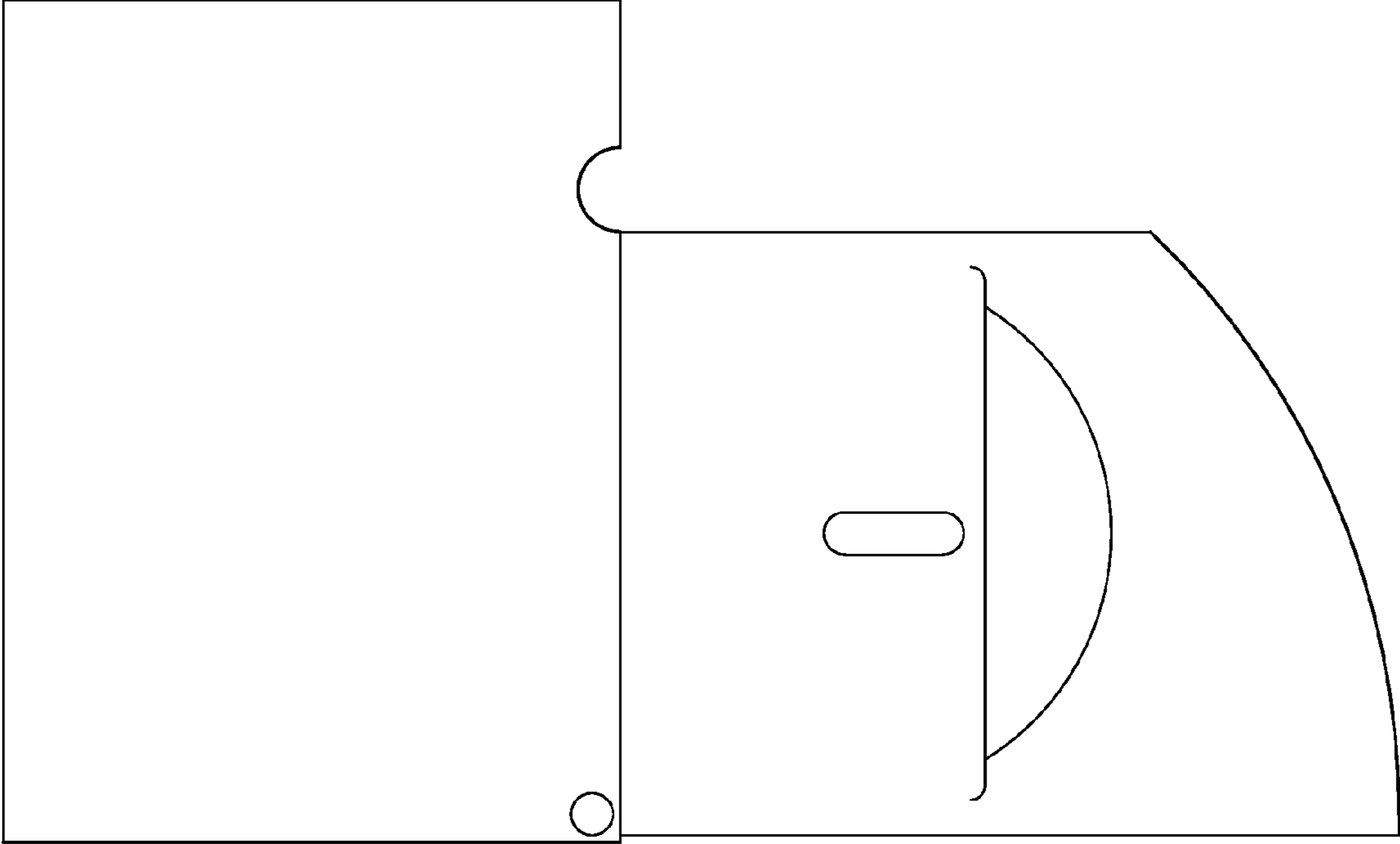


FIG. 10

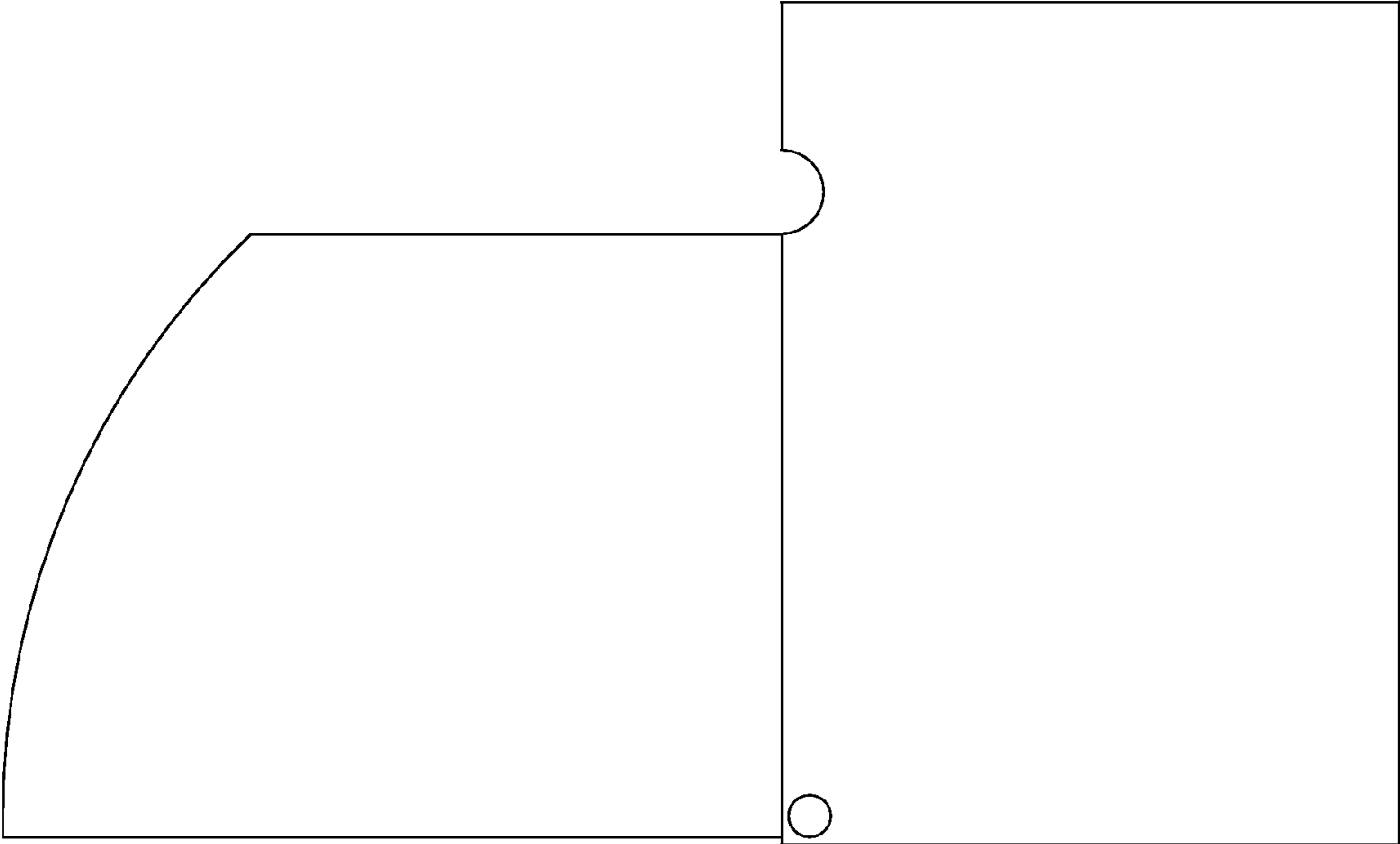


FIG. 11