



US00D558500S

(12) **United States Design Patent**  
**Cutter**

(10) **Patent No.:** **US D558,500 S**

(45) **Date of Patent:** **\*\* Jan. 1, 2008**

(54) **PILLOW**

(76) Inventor: **Kathleen D. Cutter**, P.O. Box 463,  
Milton, NH (US) 03851

(\*\*) Term: **14 Years**

(21) Appl. No.: **29/272,122**

(22) Filed: **Feb. 1, 2007**

(51) **LOC (8) Cl.** ..... **06-09**

(52) **U.S. Cl.** ..... **D6/601**

(58) **Field of Classification Search** ..... D6/511,  
D6/595-597, 601, 604; 5/630, 632, 636,  
5/641, 648, 652-654, 655.3, 655.9, 665;  
D24/183; 297/4, 181, 183.1, 183.5, 183.9,  
297/219.1, 452.16, 452.23, 452.26, 452.46,  
297/452.48; D21/803; 441/80, 127; 128/845;  
D14/458; 2/20

See application file for complete search history.

(56) **References Cited**

**U.S. PATENT DOCUMENTS**

3,638,255 A \* 2/1972 Sterrett ..... 5/641  
D236,062 S \* 7/1975 Winston ..... D6/601  
4,617,684 A \* 10/1986 Green et al. .... 2/20

D338,797 S \* 8/1993 Huls ..... D6/601  
D386,927 S \* 12/1997 Meade ..... D6/601  
D495,540 S \* 9/2004 Lipsztein ..... D6/511  
D495,541 S \* 9/2004 Lipsztein ..... D6/511  
D495,543 S \* 9/2004 Lipsztein ..... D6/511  
6,913,019 B2 \* 7/2005 Johns et al. .... 128/845  
2003/0217412 A1 \* 11/2003 Johns et al. .... 5/636

\* cited by examiner

*Primary Examiner*—Robert M. Spear

*Assistant Examiner*—Mary Ann Calabrese

(74) *Attorney, Agent, or Firm*—Michael J. Persson; Lawson  
& Persson P.C.

(57) **CLAIM**

The ornamental design for a pillow, as shown and described.

**DESCRIPTION**

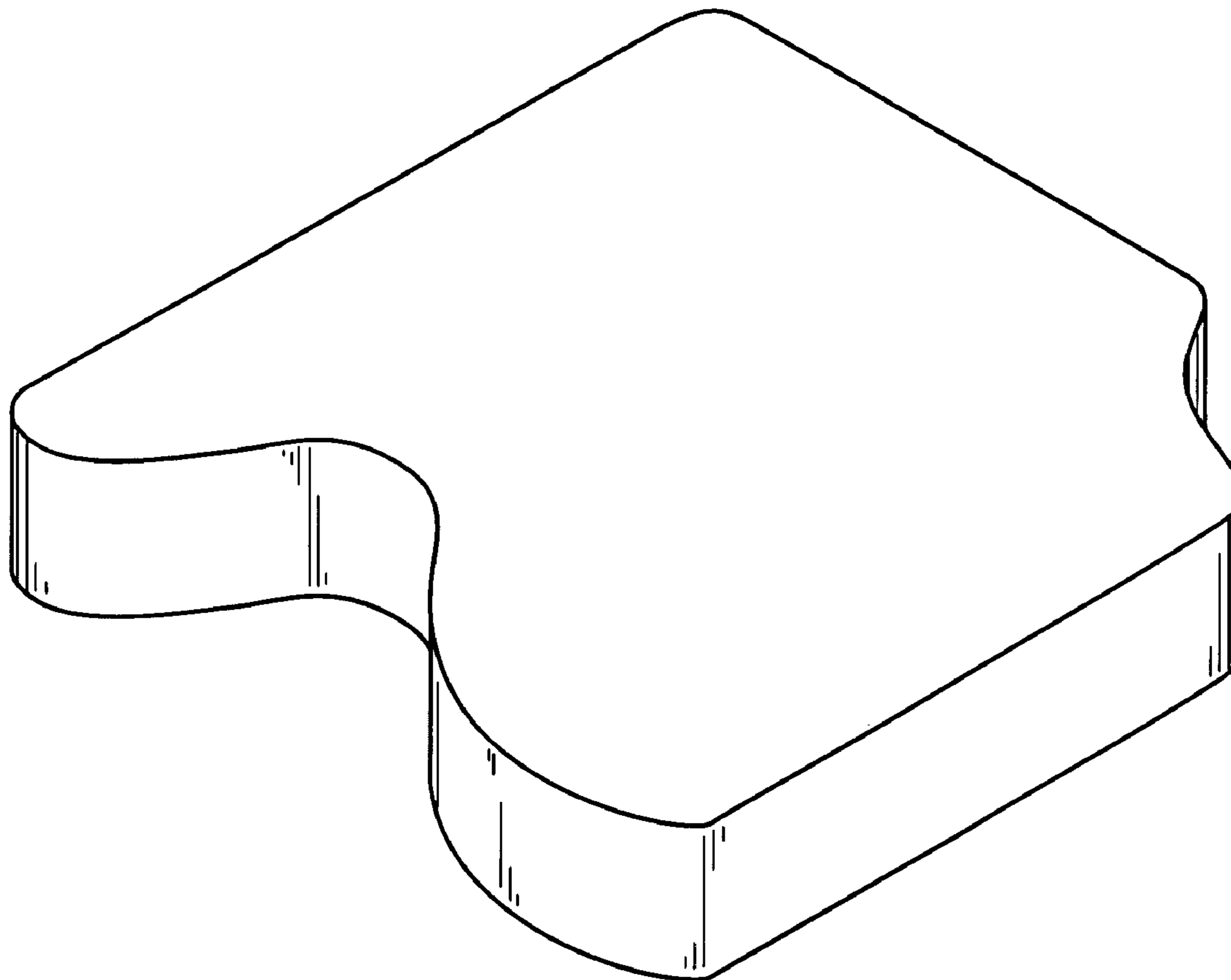
FIG. 1 is a plan view of the top surface of the pillow showing my new design; the bottom surface being a mirror image thereof.

FIG. 2 is back perspective view of the pillow.

FIG. 3 is a front perspective view of the pillow; and,

FIG. 4 is a side perspective view of the pillow.

**1 Claim, 4 Drawing Sheets**



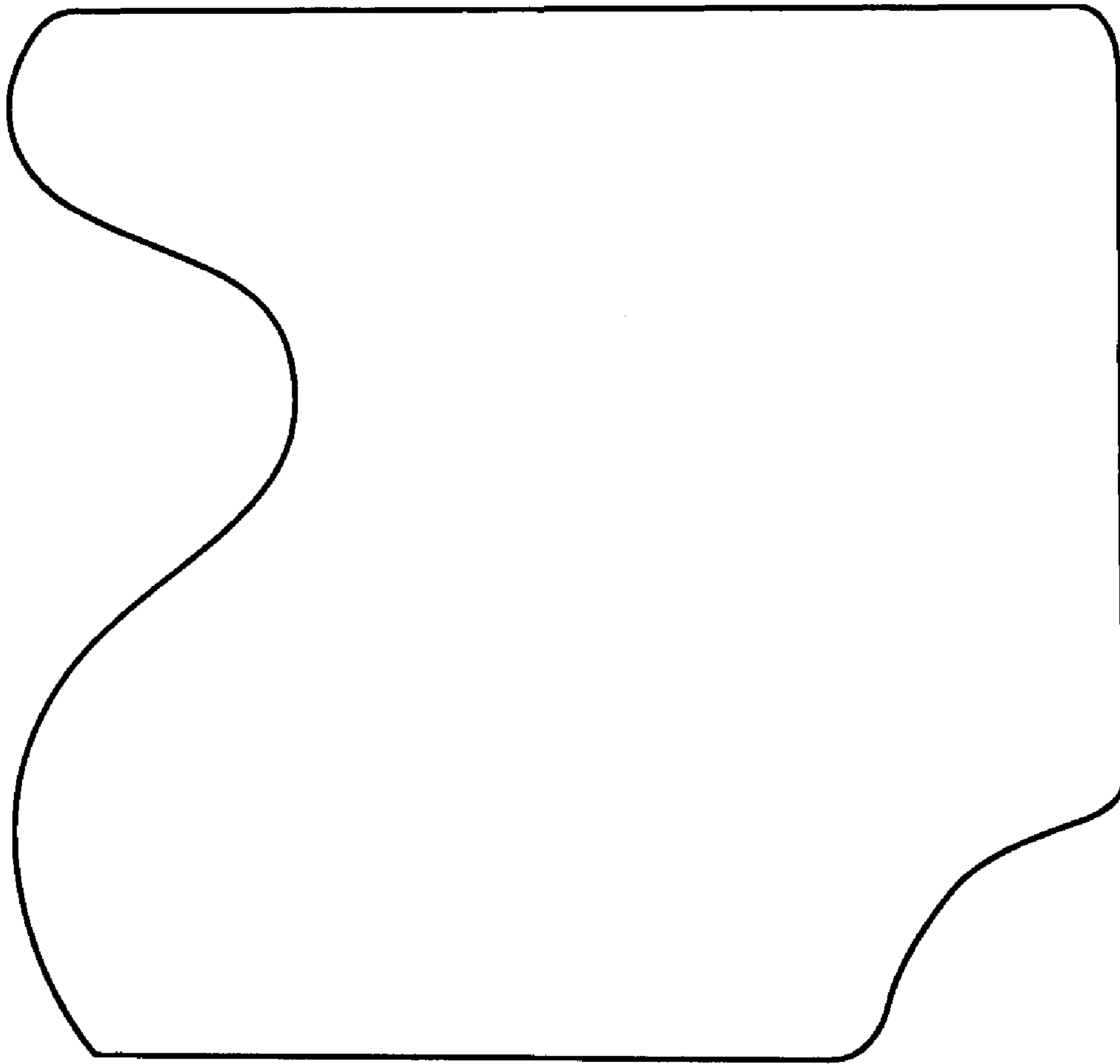


Fig. 1

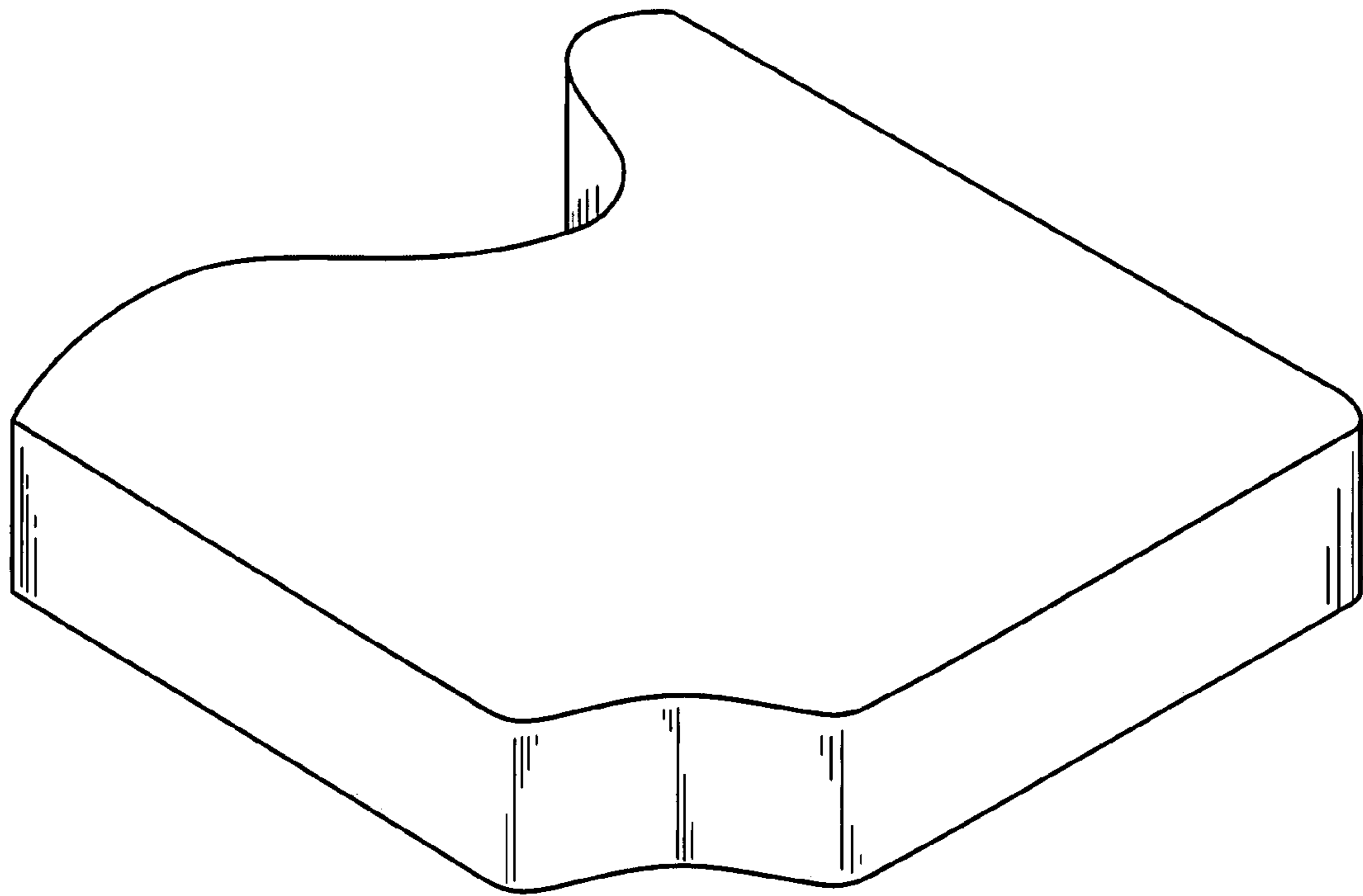


Fig. 2

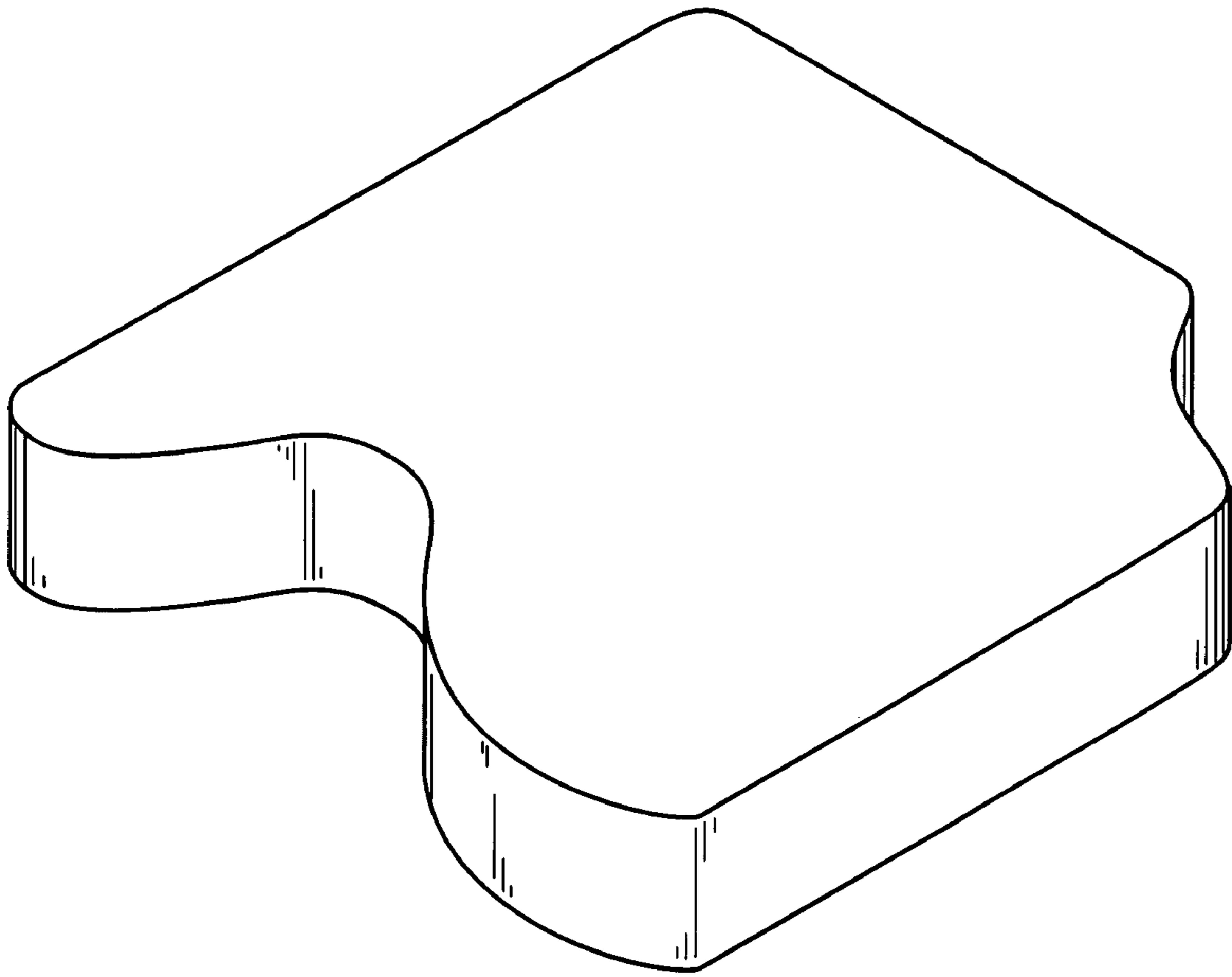


Fig. 3

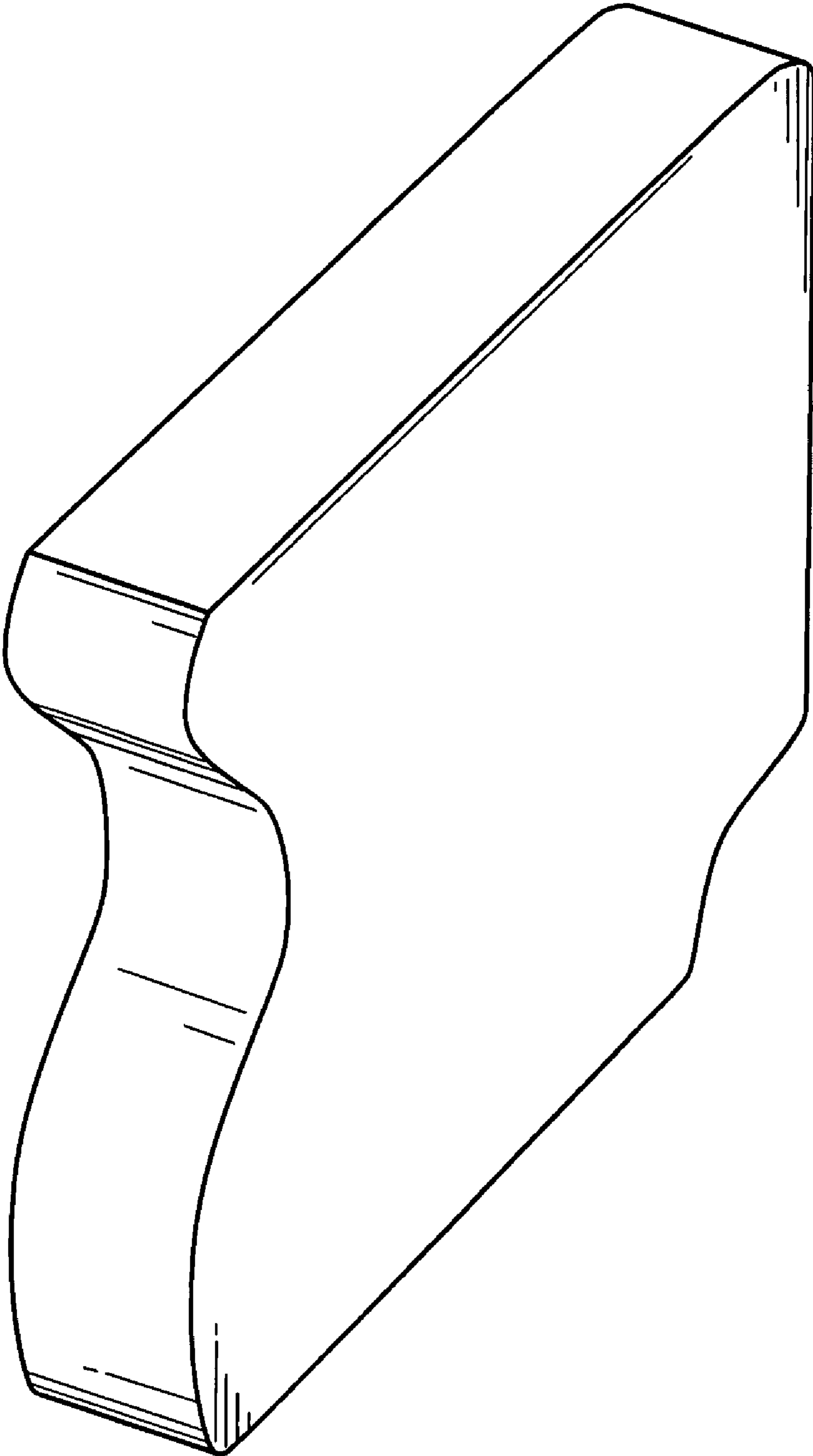


Fig. 4