



US00D558498S

(12) **United States Design Patent** (10) **Patent No.:** **US D558,498 S**
Morris (45) **Date of Patent:** **** Jan. 1, 2008**

(54) **PUBLIC PHONE**

2005/0129201 A1* 6/2005 Palmer et al. 379/114.01

* cited by examiner

(75) Inventor: **Bryan Morris**, Toronto (CA)

Primary Examiner—Cathron Brooks

(73) Assignee: **Globalive Communications Corp.**,
Nova Scotia (CA)

Assistant Examiner—Angela J Lee

(74) *Attorney, Agent, or Firm*—Blake, Cassels & Graydon
LLP

(**) Term: **14 Years**

(57) **CLAIM**

(21) Appl. No.: **29/215,220**

The ornamental design of a public phone, as shown and
described.

(22) Filed: **Oct. 18, 2004**

(51) **LOC (8) Cl.** **14-03**

DESCRIPTION

(52) **U.S. Cl.** **D6/553**

(58) **Field of Classification Search** D6/421,
D6/553, 555, 574; D14/142, 144, 130, 146;
D25/16; 379/36, 114.01, 143, 144.01, 144.05,
379/144.08, 155, 428.01, 428.02, 428.03,
379/419, 434-5, 441, 451, 453-4, 900, 916
See application file for complete search history.

FIG. 1 is a right side view of a first embodiment of the public
phone and the left side view is a mirror image thereof;

FIG. 2 is a front elevation view thereof;

FIG. 3 is a top plan view thereof;

FIG. 4 is a bottom plan view thereof;

FIG. 5 is a right side view of a second embodiment of the
public phone and the left side view is a mirror image thereof;

FIG. 6 is a front elevation view thereof;

FIG. 7 is a top plan view thereof; and,

FIG. 8 is a bottom plan view thereof.

The back of the public phone is plain and unornamented.

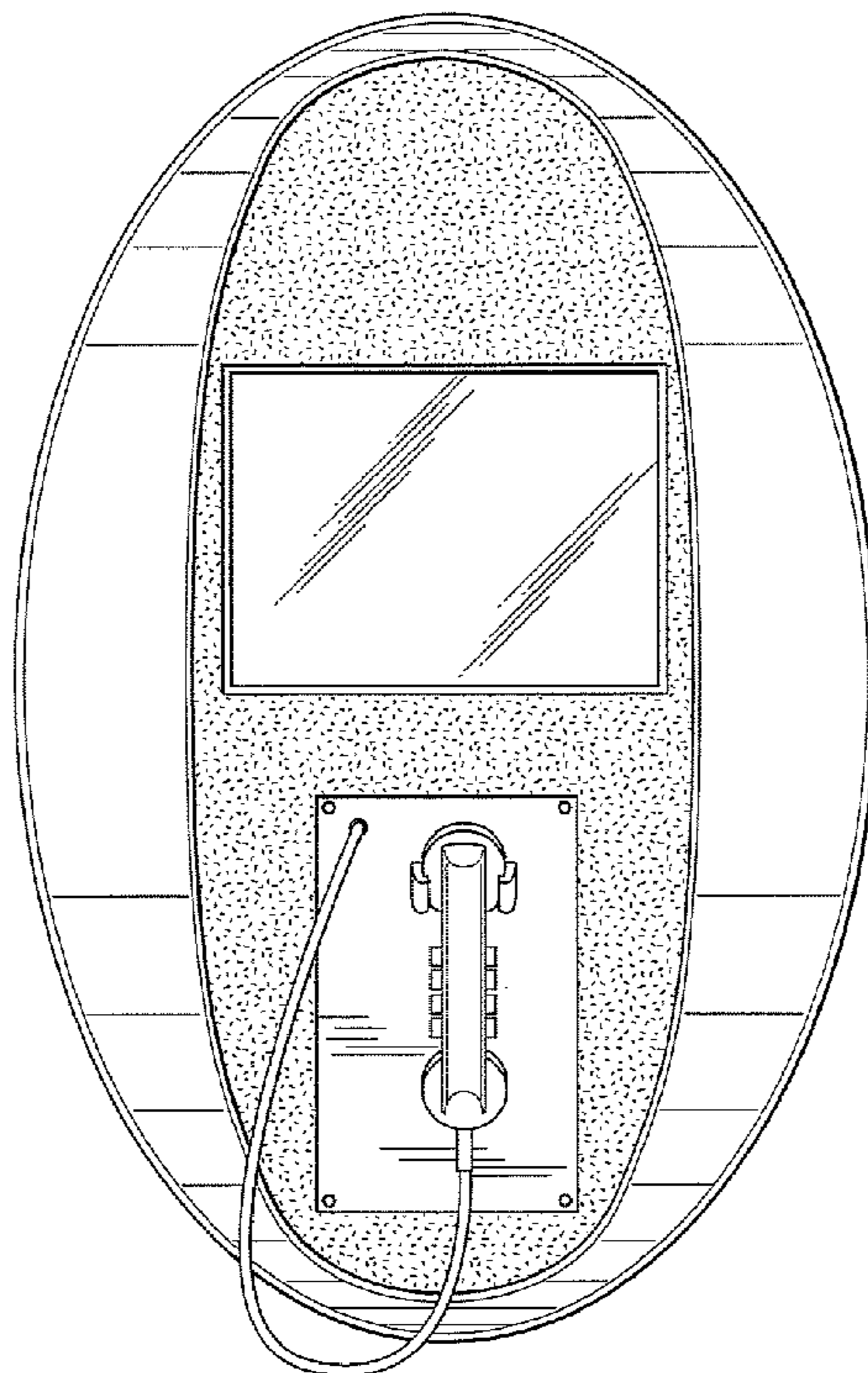
The ornamental design which is claimed is shown in solid
lines in the drawings. Any broken lines in the drawings are
for illustration only and form no part of the claimed design.

(56) **References Cited**

U.S. PATENT DOCUMENTS

D78,559 S *	5/1929	Boardman	D14/142
D215,926 S *	11/1969	Nawman	D6/421
D289,285 S *	4/1987	Giordano et al.	D14/240
D351,753 S *	10/1994	Raynor	D6/555
5,701,338 A *	12/1997	Leyen et al.	455/465
D411,194 S *	6/1999	Wilson	D14/130
D414,179 S *	9/1999	Ashkenazi	D14/146
D424,049 S *	5/2000	Ho et al.	D14/130
6,512,828 B1 *	1/2003	Styron	379/453

1 Claim, 6 Drawing Sheets



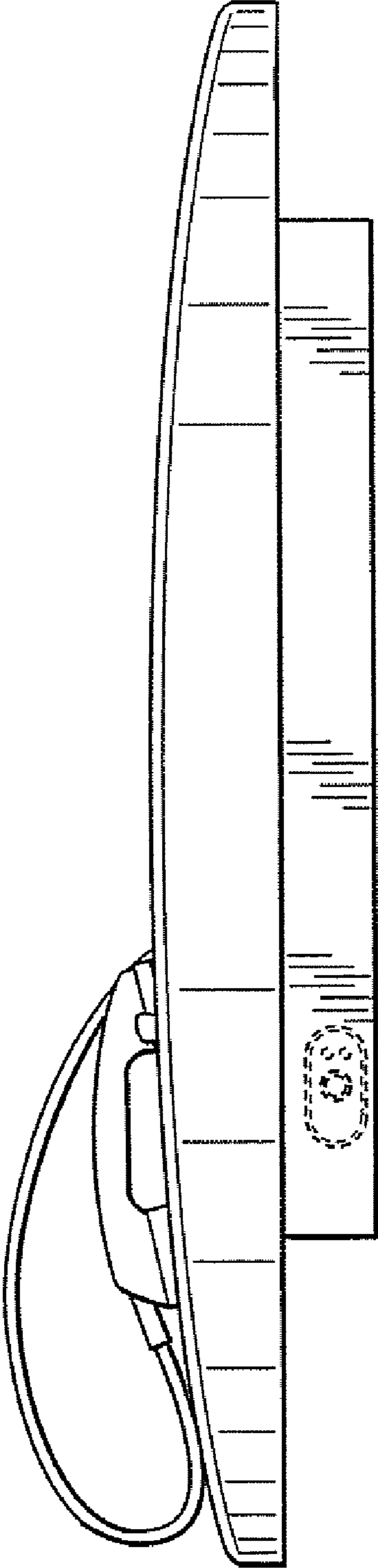


FIG. 1

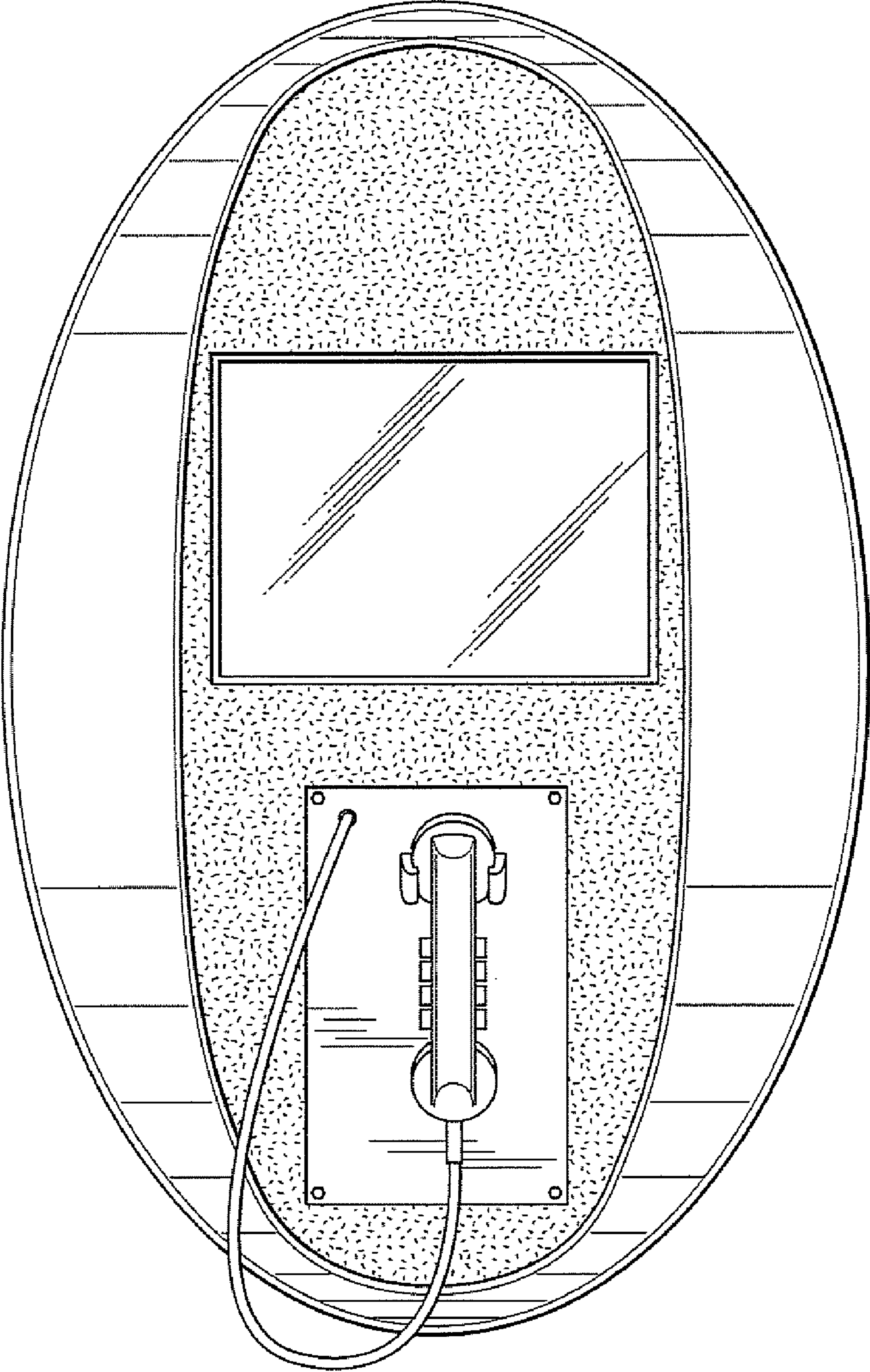


FIG. 2

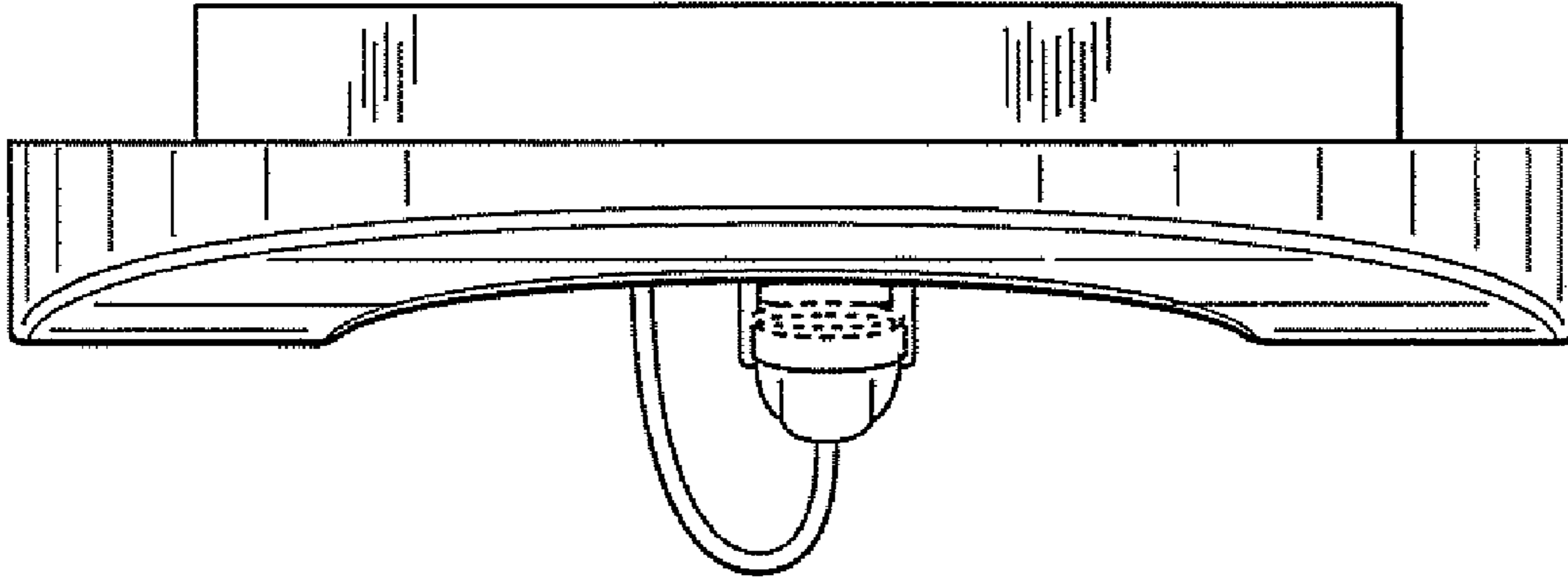


FIG. 3

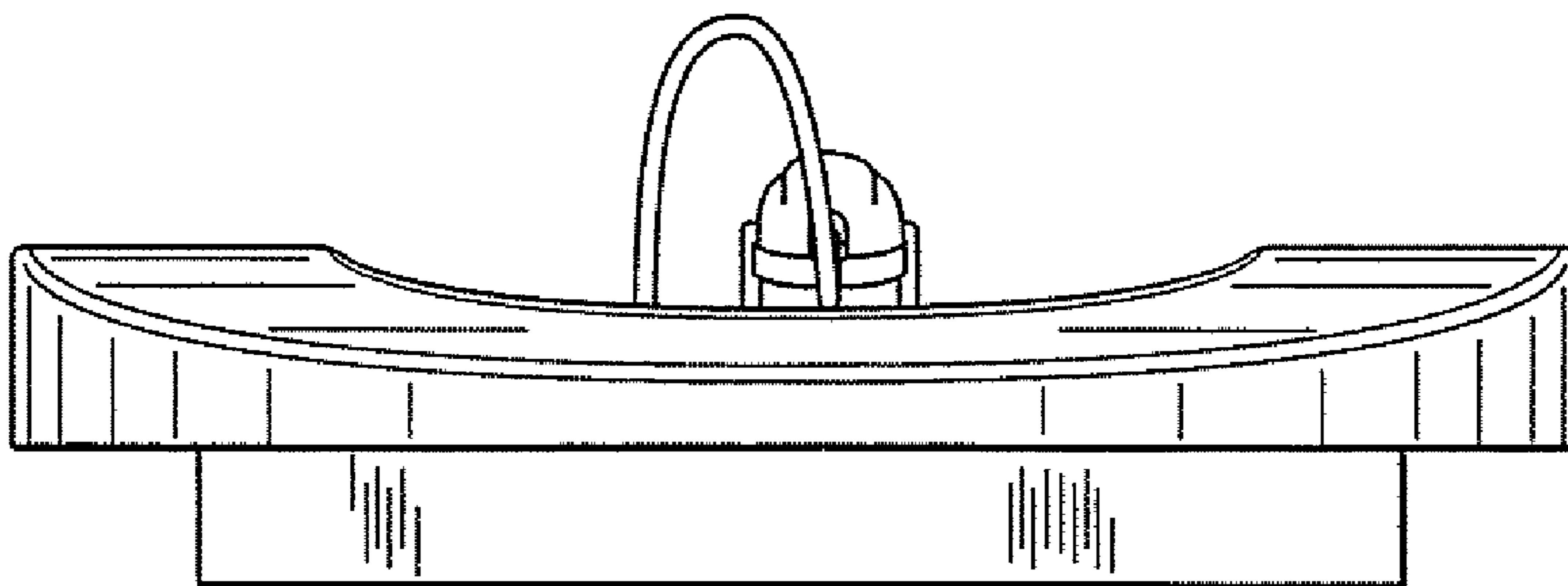


FIG. 4

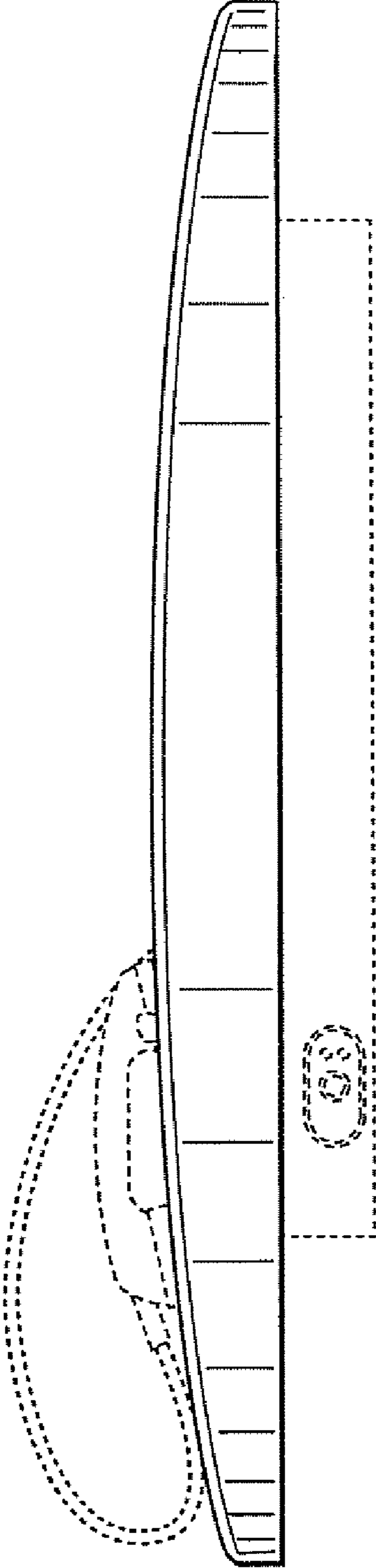


FIG. 5

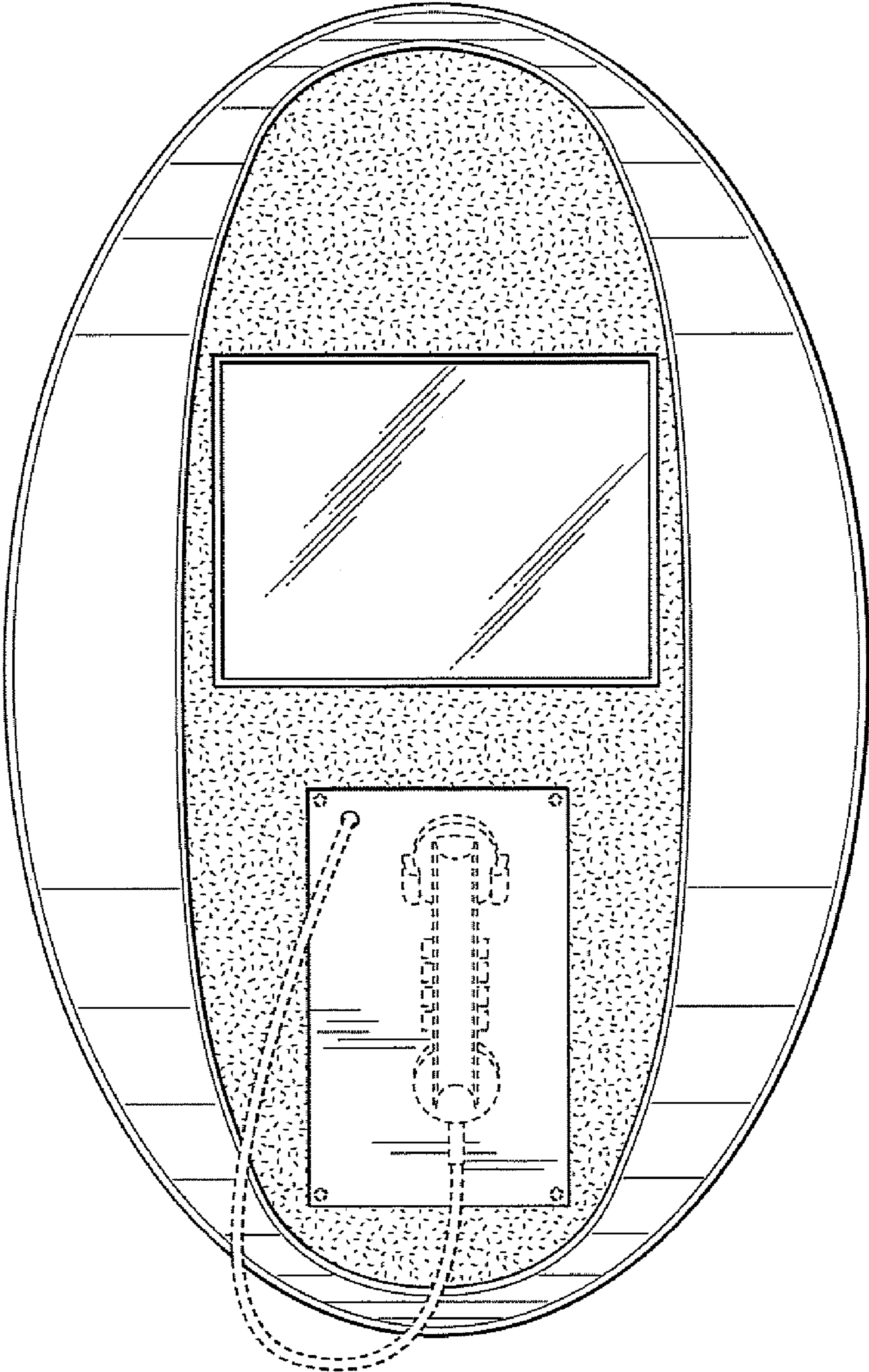


FIG. 6

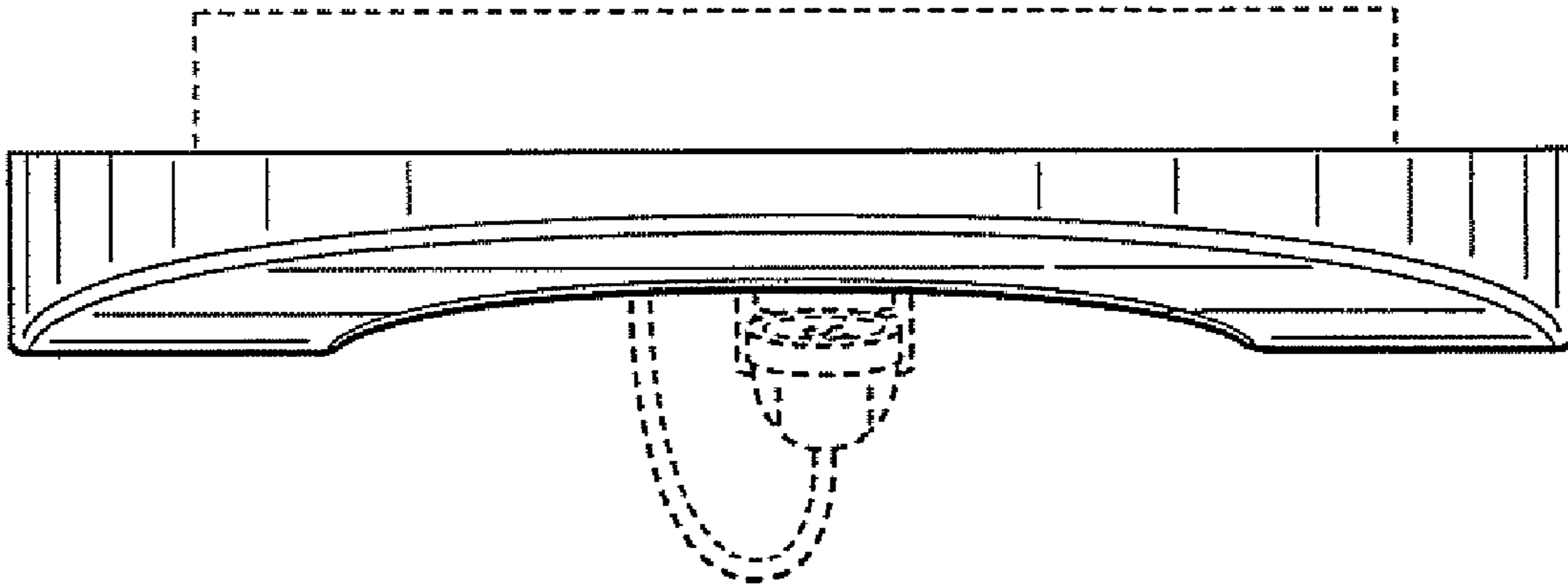


FIG. 7

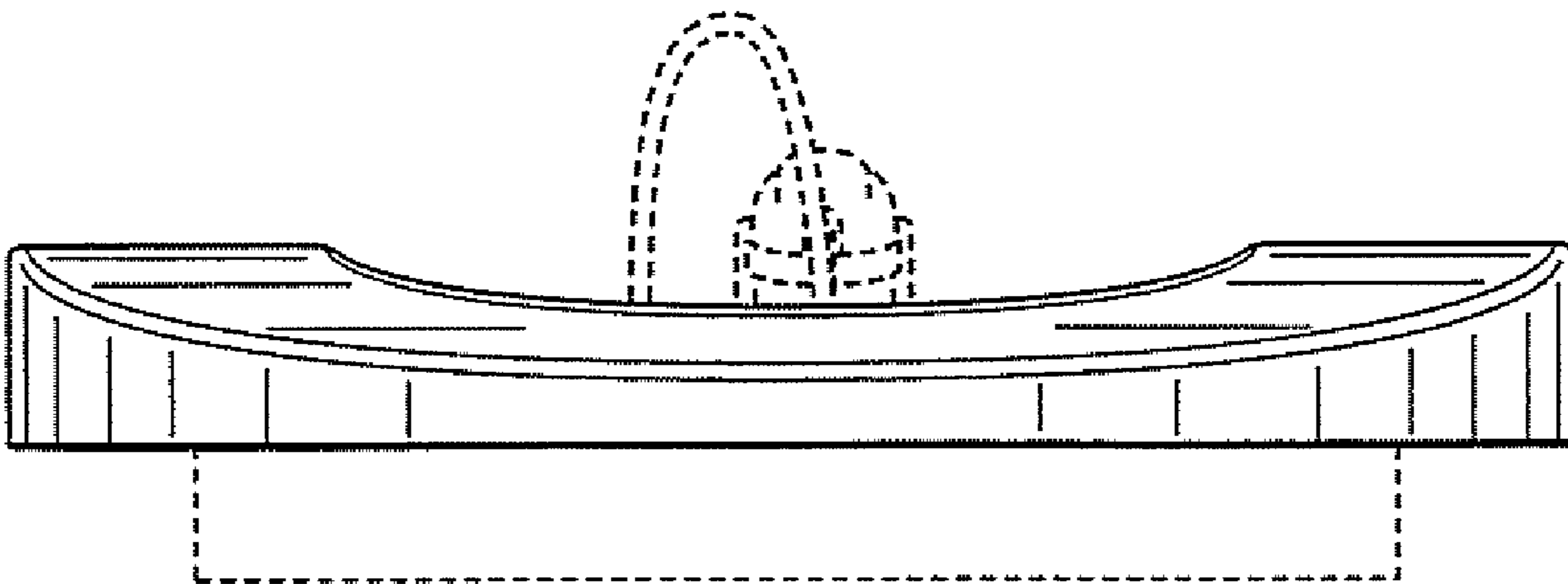


FIG. 8