



US00D558491S

(12) **United States Design Patent**
Kane

(10) **Patent No.:** **US D558,491 S**
(45) **Date of Patent:** **** Jan. 1, 2008**

(54) **CHAIR**

D519,294 S * 4/2006 Frenkler et al. D6/375
D521,265 S * 5/2006 Andersson D6/375

(75) Inventor: **Brian J. Kane**, San Francisco, CA (US)

* cited by examiner

(73) Assignee: **Steelcase Development Corporation**,
Caledonia, MI (US)

Primary Examiner—Mimosa De

(**) Term: **14 Years**

(74) *Attorney, Agent, or Firm*—Price, Heneveld, Cooper,
DeWitt & Litton, LLP

(21) Appl. No.: **29/206,974**

(57) **CLAIM**

(22) Filed: **Jun. 7, 2004**

I claim the ornamental design for the chair, as shown and described.

(51) **LOC (8) Cl.** **06-06**

(52) **U.S. Cl.** **D6/500; D6/375**

(58) **Field of Classification Search** D6/334–336,
D6/368, 367, 371–373, 374, 375, 376, 379,
D6/380, 500–502; 297/239, 411.2, 411.44,
297/445.1, 446.1

See application file for complete search history.

DESCRIPTION

FIG. 1 is a perspective view showing a front, top, and side of the chair of the present invention;

FIG. 2 is a front elevational view of the chair;

FIG. 3 is an elevational view of a first side of the chair;

FIG. 4 is a rear elevational view of the chair;

FIG. 5 is a top plan view of the chair; and,

FIG. 6 is a bottom plan view of the chair.

The elevational view of the first side shown in FIG. 3 is a mirror image of the opposite side of the third embodiment of the chair.

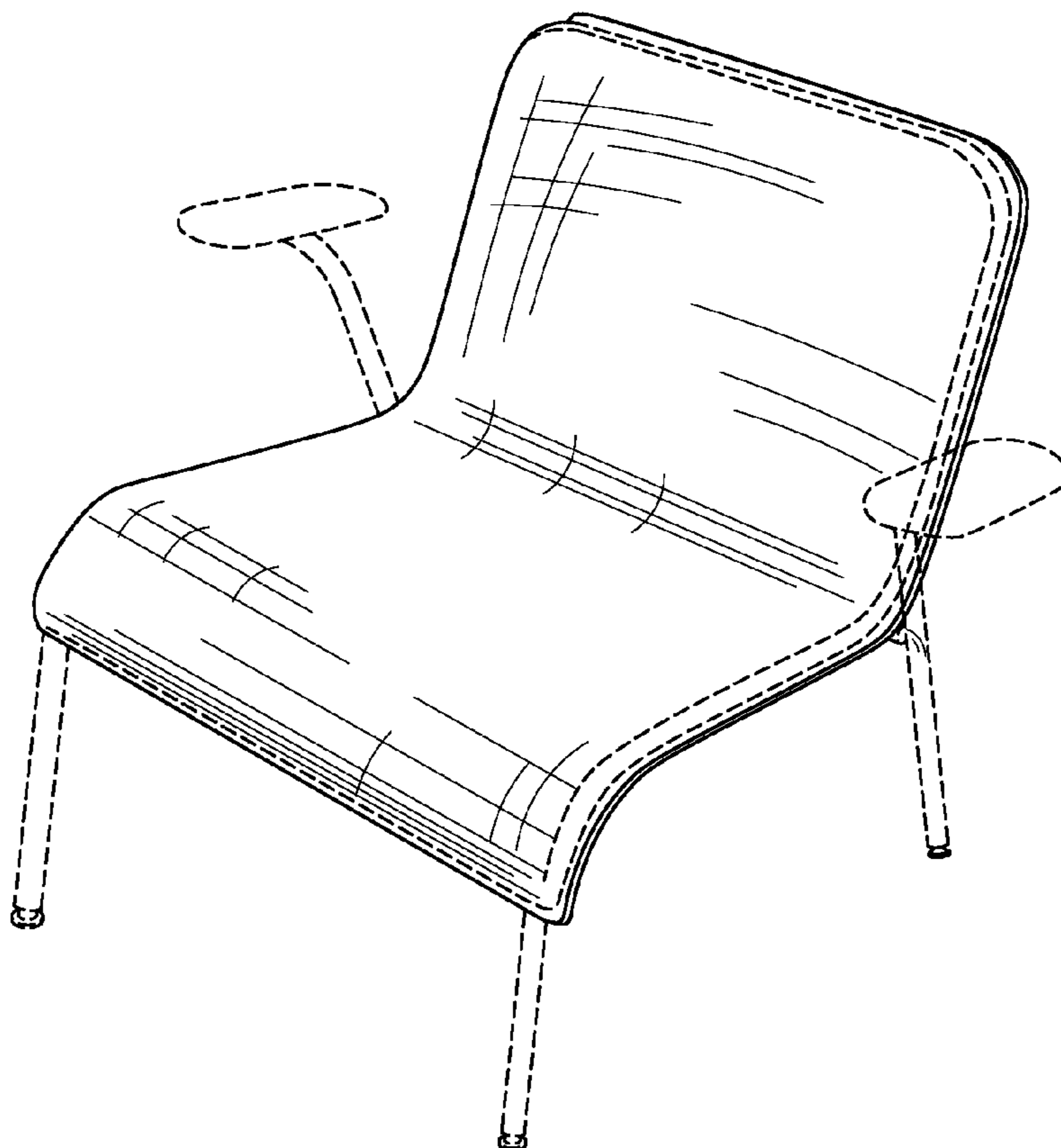
The dashed lines within the figures are for illustrative purposes only and form no part of the claimed invention.

(56) **References Cited**

U.S. PATENT DOCUMENTS

D351,510 S *	10/1994	Lucci et al.	D6/372
D393,158 S *	4/1998	Smith	D6/375
D412,251 S *	7/1999	Tseng	D6/368
D412,407 S *	8/1999	Tseng	D6/368
D422,805 S *	4/2000	Smith	D6/373
D455,021 S *	4/2002	Kita	D6/375
D497,489 S *	10/2004	Judy	D6/367
D518,304 S *	4/2006	Crescenti	D6/373

1 Claim, 3 Drawing Sheets



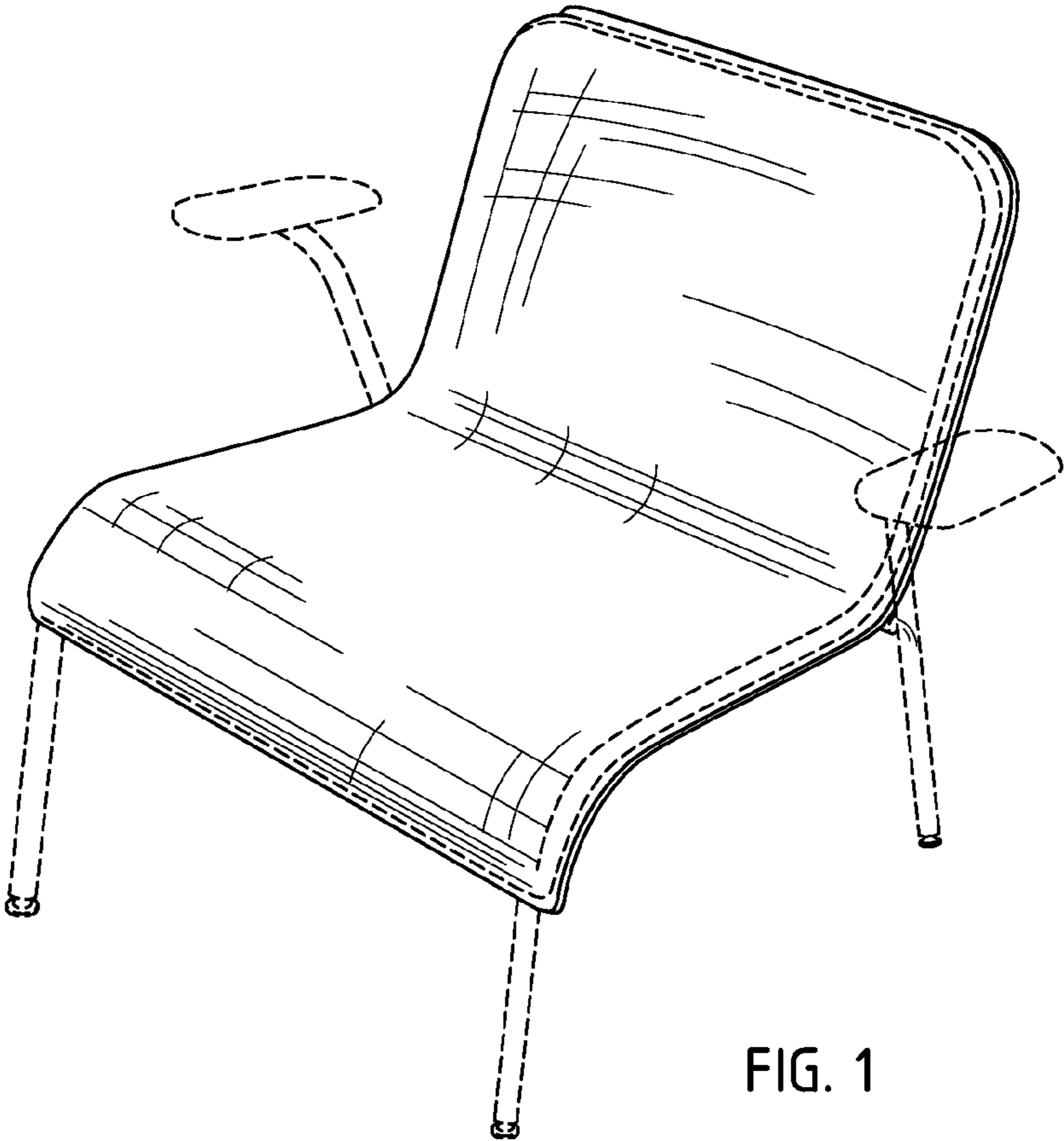


FIG. 1

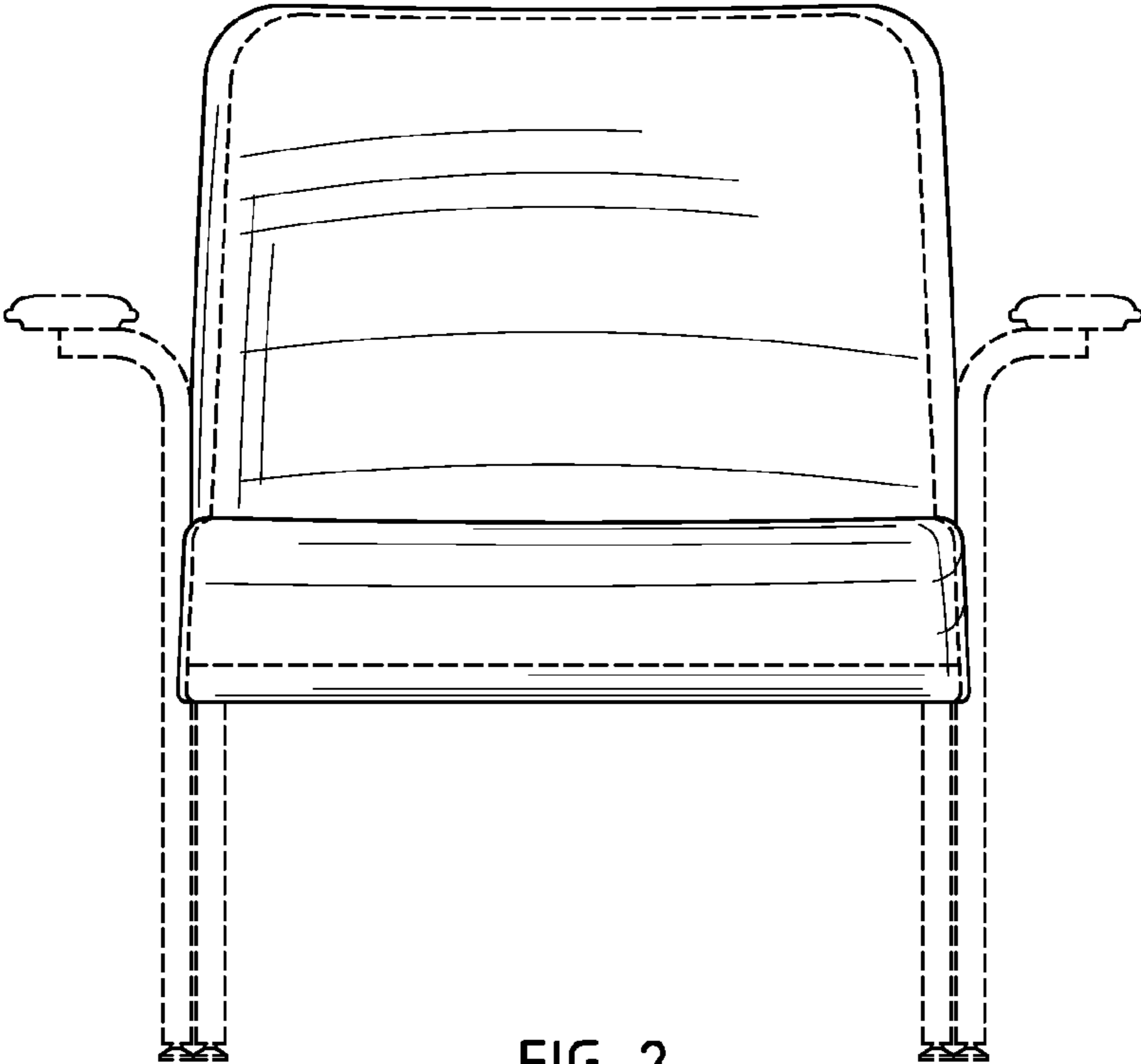


FIG. 2

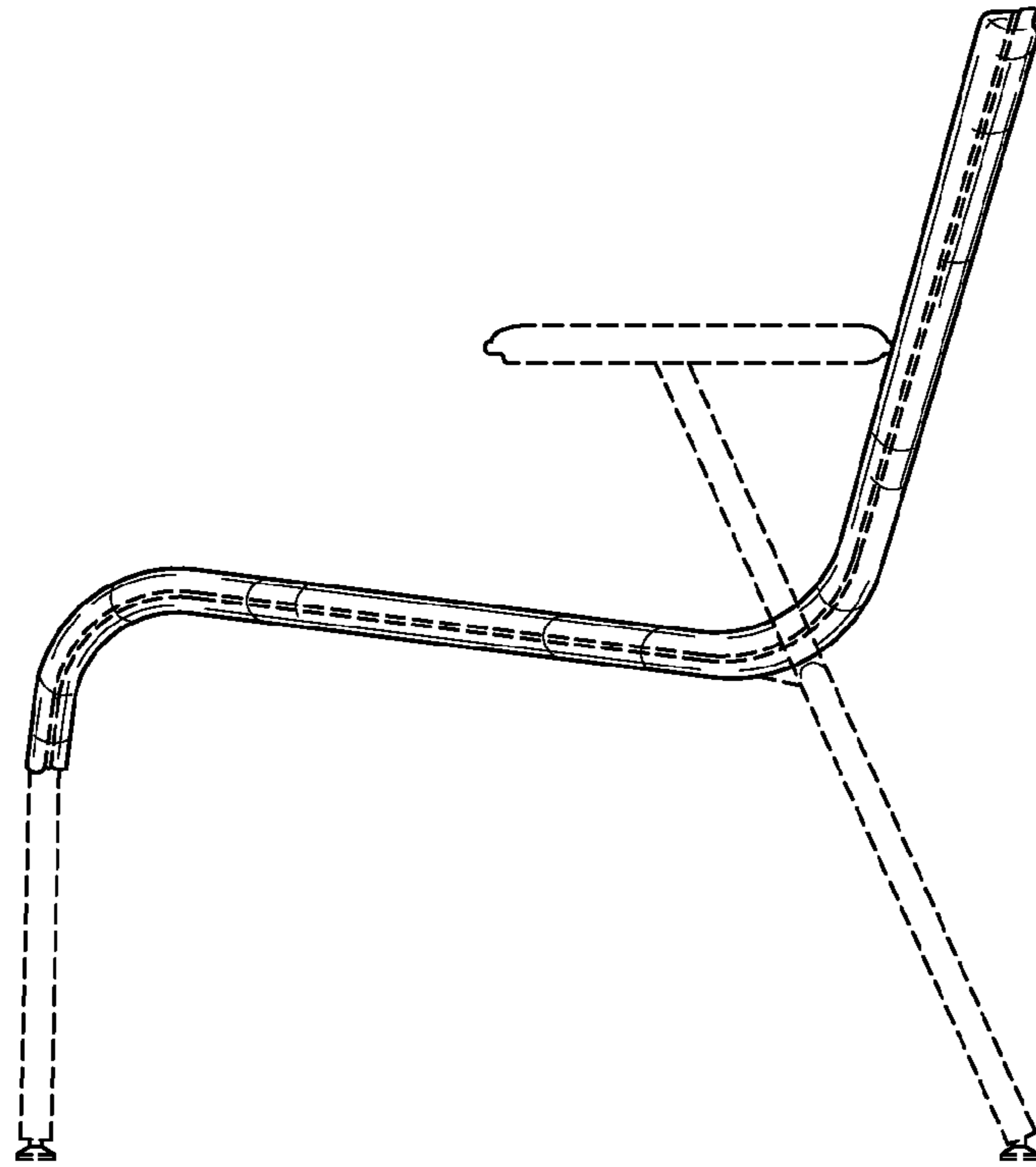


FIG. 3

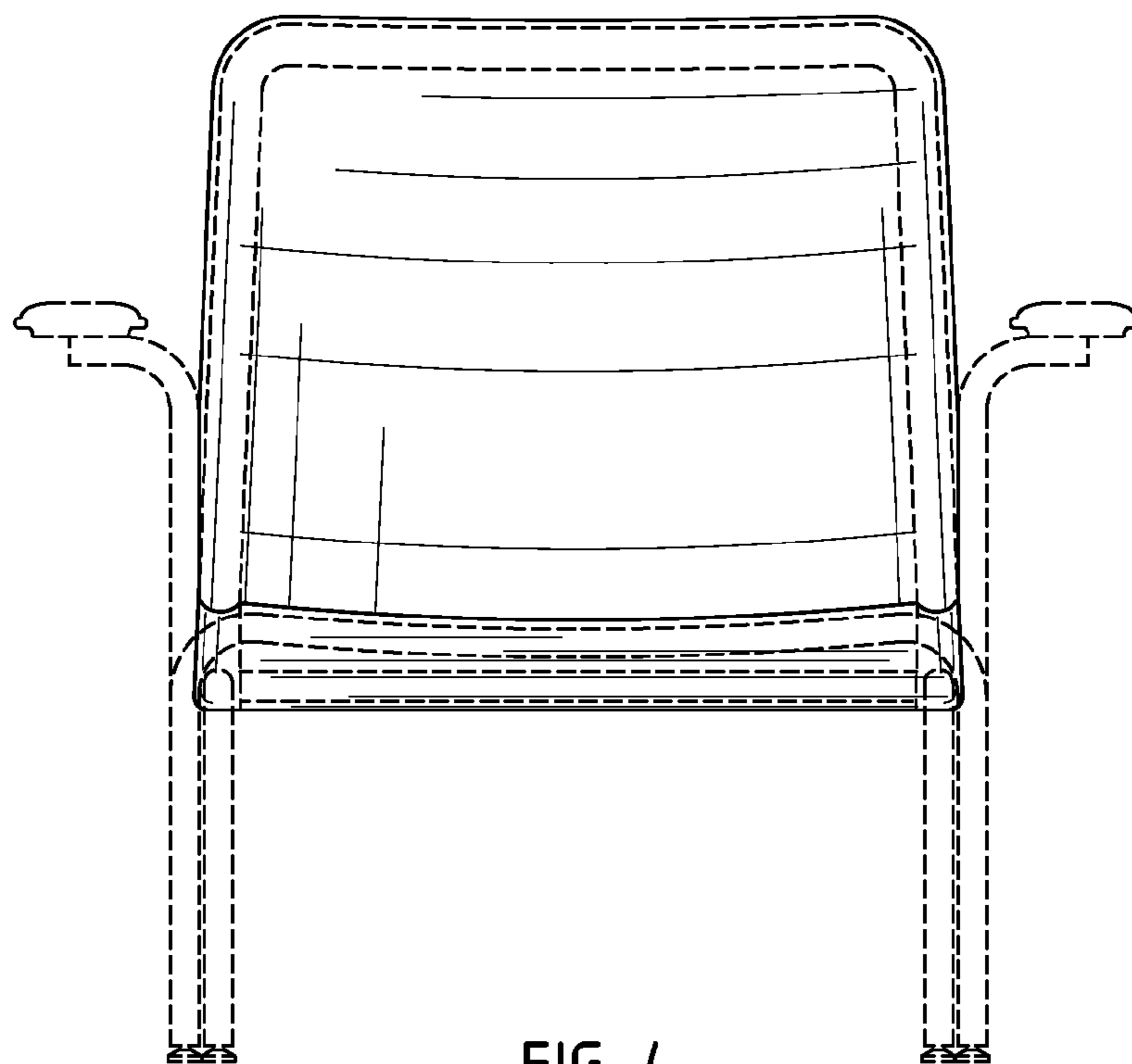


FIG. 4

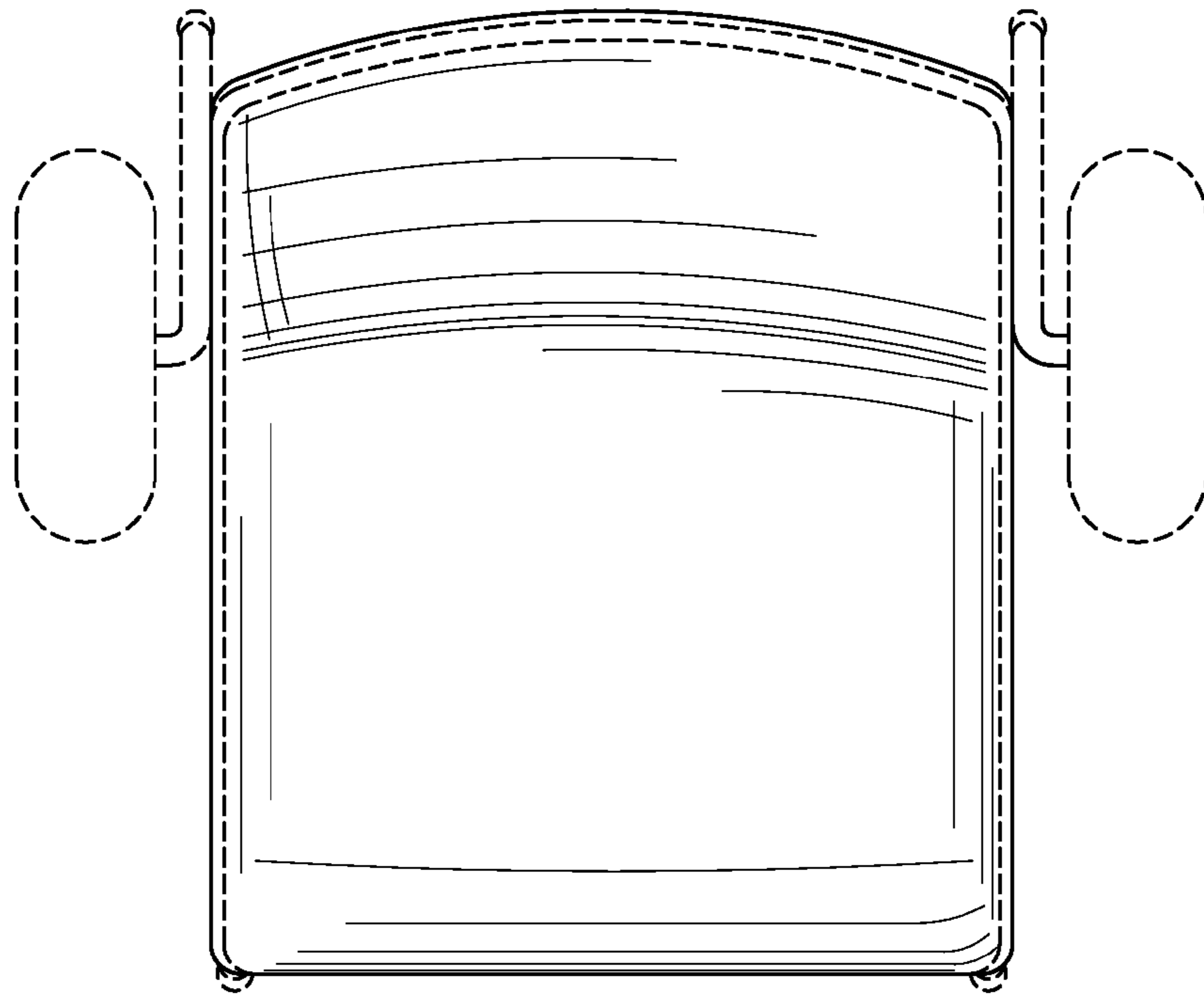


FIG. 5

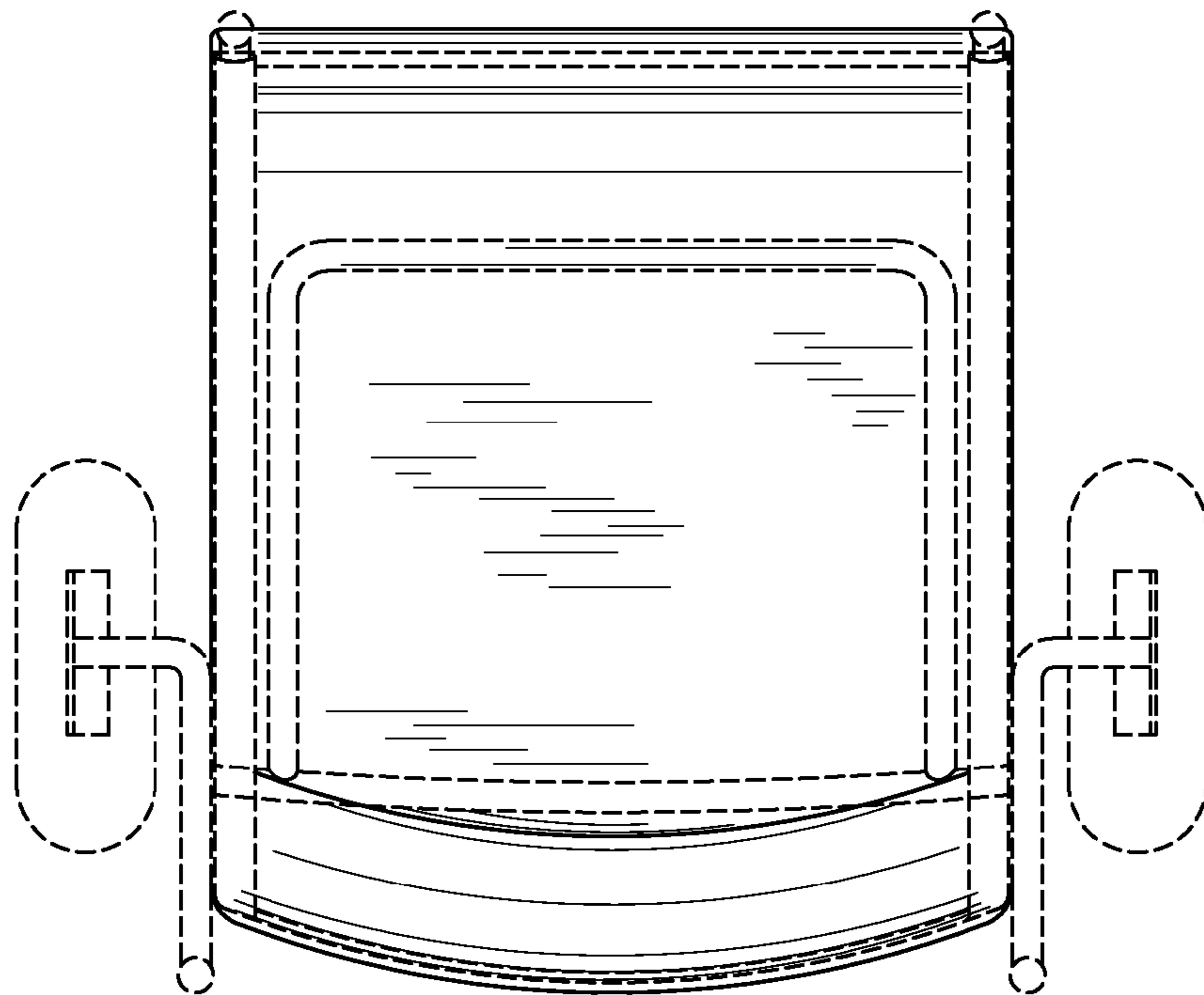


FIG. 6