



US00D558490S

(12) **United States Design Patent**
Christensen

(10) **Patent No.:** **US D558,490 S**

(45) **Date of Patent:** **** Jan. 1, 2008**

(54) **TABLE WITH CHANNEL**

(76) Inventor: **Kimberly E. Christensen**, 180 S. 300
West, Suite 326, Salt Lake City, UT
(US) 84101

(**) Term: **14 Years**

(21) Appl. No.: **29/263,682**

(22) Filed: **Jul. 26, 2006**

(51) **LOC (8) Cl.** **06-03**

(52) **U.S. Cl.** **D6/484**

(58) **Field of Classification Search** D6/480-489,
D6/495-499, 511; 108/150, 151, 153.1,
108/155, 156, 157.1, 161, 24-26; 248/188,
248/188.1, 188.7, 188.8

See application file for complete search history.

(56) **References Cited**

U.S. PATENT DOCUMENTS

- 3,289,616 A * 12/1966 Donihi 108/161
- D207,972 S * 6/1967 Bellaire D25/68
- D220,704 S * 5/1971 Krammer D6/484
- D244,076 S * 4/1977 Saltz D6/484
- D244,114 S * 4/1977 Neff D6/484

- 5,860,367 A * 1/1999 Riegel et al. 108/26
- 6,394,006 B2 * 5/2002 Hoekstra et al. 108/149
- D510,492 S * 10/2005 Sakurai et al. D6/495
- 2002/0129746 A1 * 9/2002 Donnelly 108/25

* cited by examiner

Primary Examiner—Janice E. Seeger

(74) *Attorney, Agent, or Firm*—Workman Nydegger

(57) **CLAIM**

The ornamental design for a table with channel, as shown and described.

DESCRIPTION

FIG. 1 is a perspective view of a table with channel showing my new design;

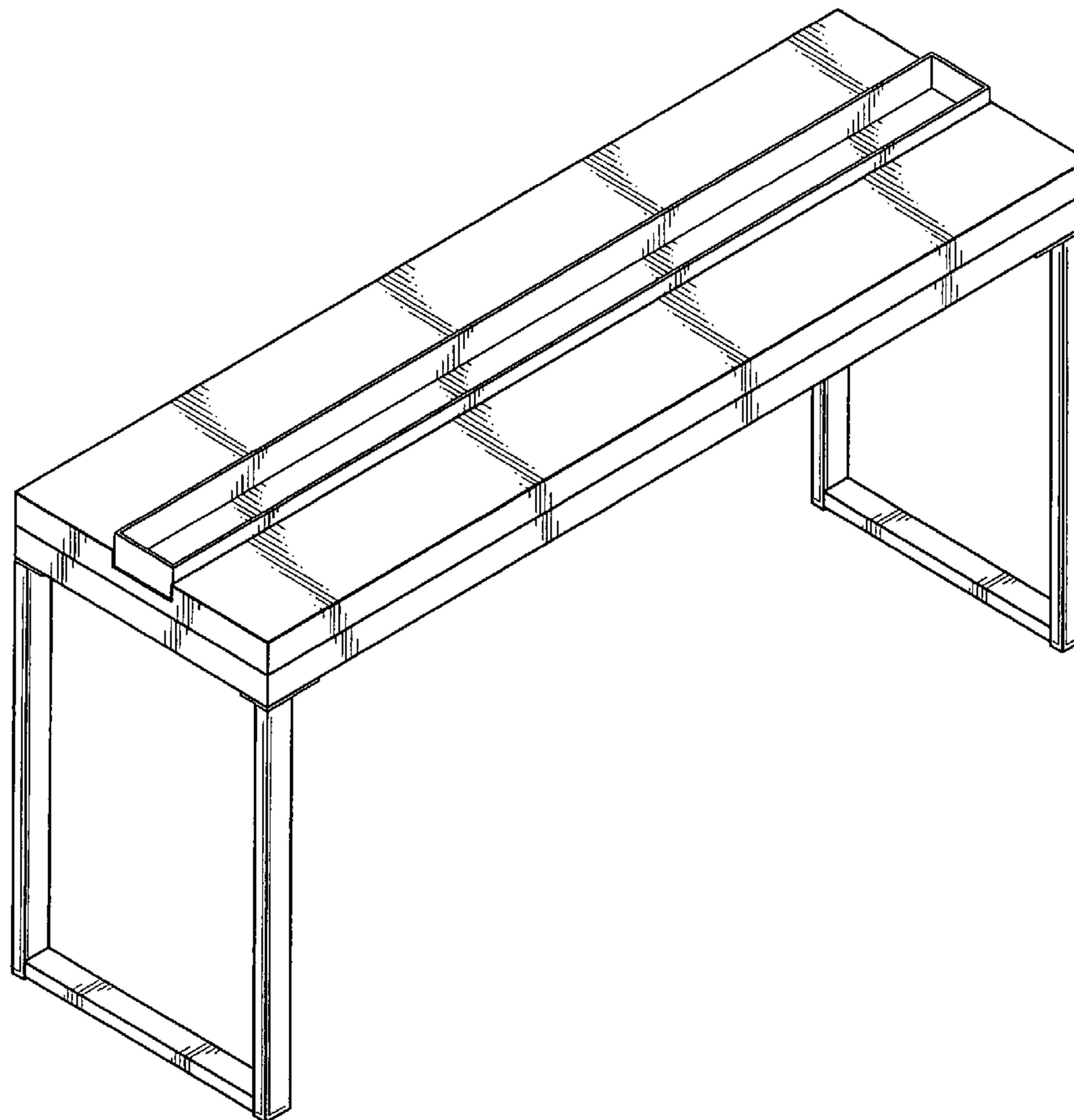
FIG. 2 is an elevated front view thereof, the back view being identical thereto;

FIG. 3 is a top plan view thereof;

FIG. 4 is an elevated left side view thereof, the right side view being identical thereto; and,

FIG. 5 is a bottom plan view of thereof.

1 Claim, 3 Drawing Sheets



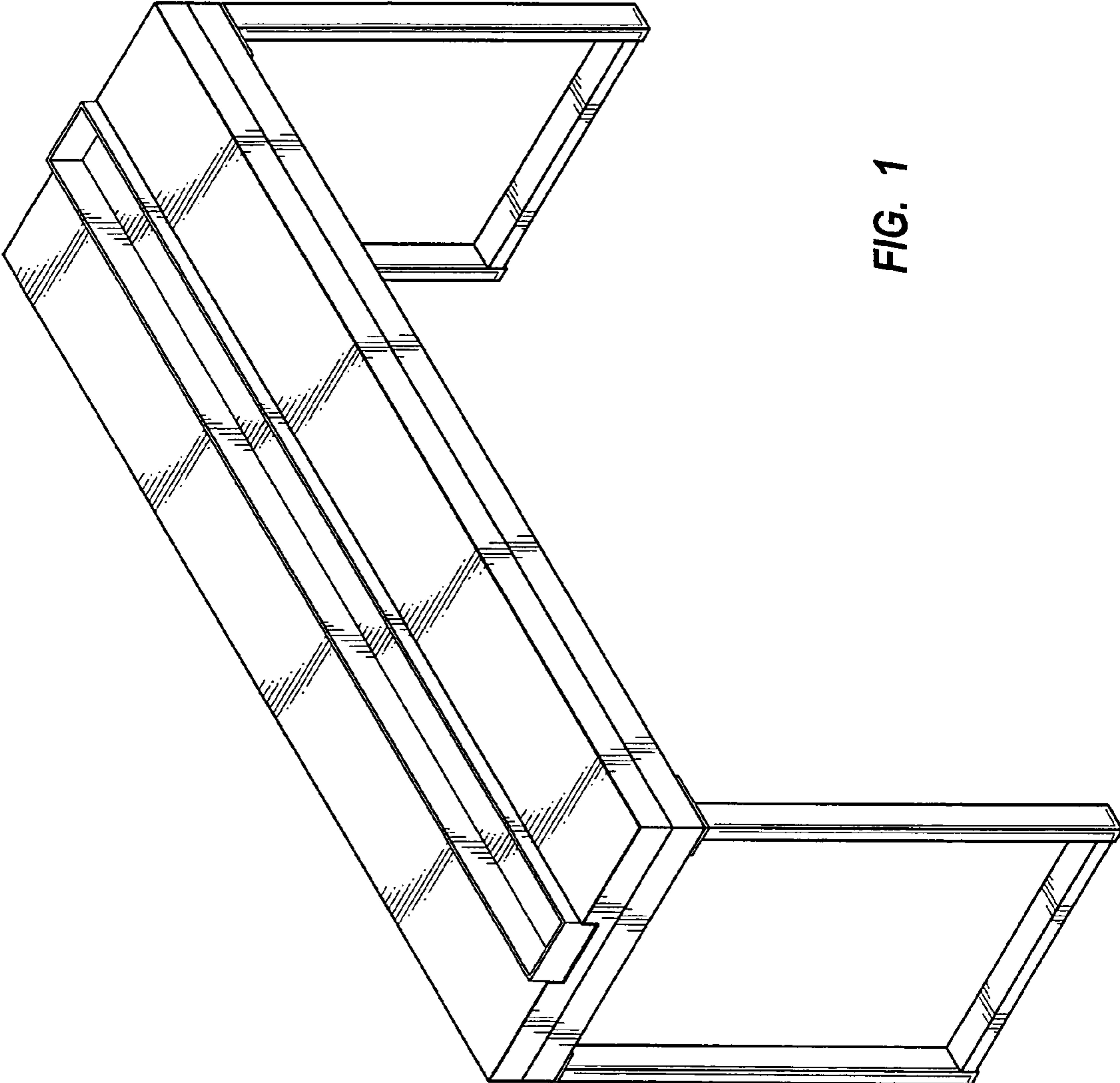


FIG. 1

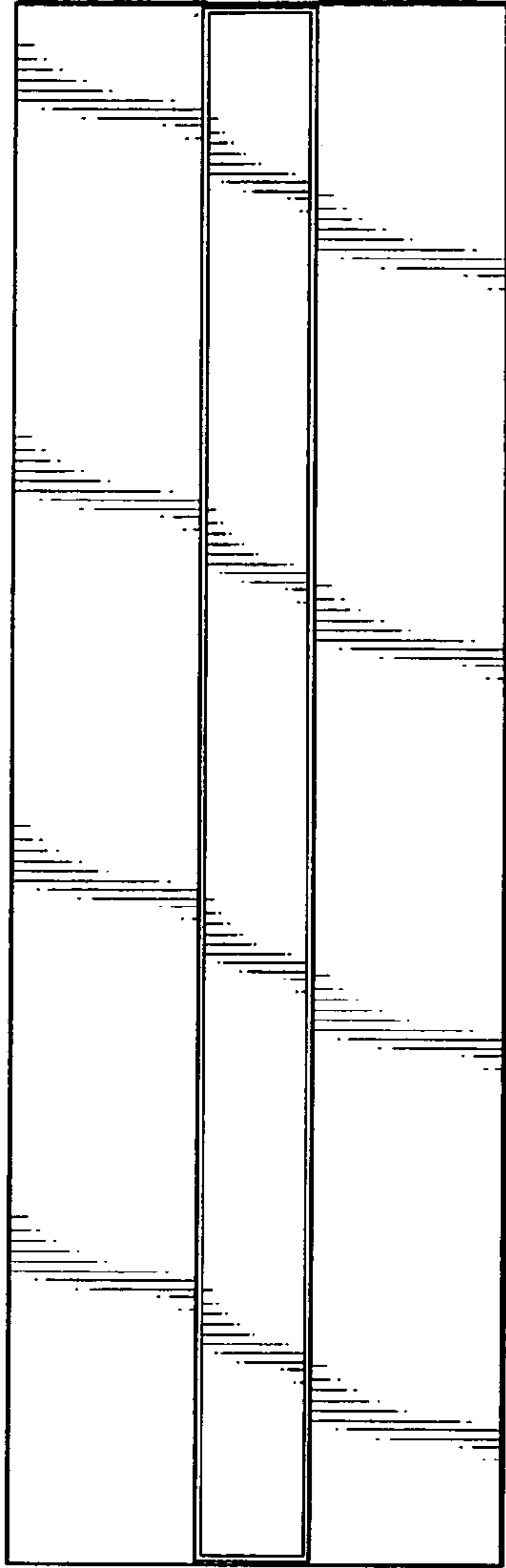


FIG. 3

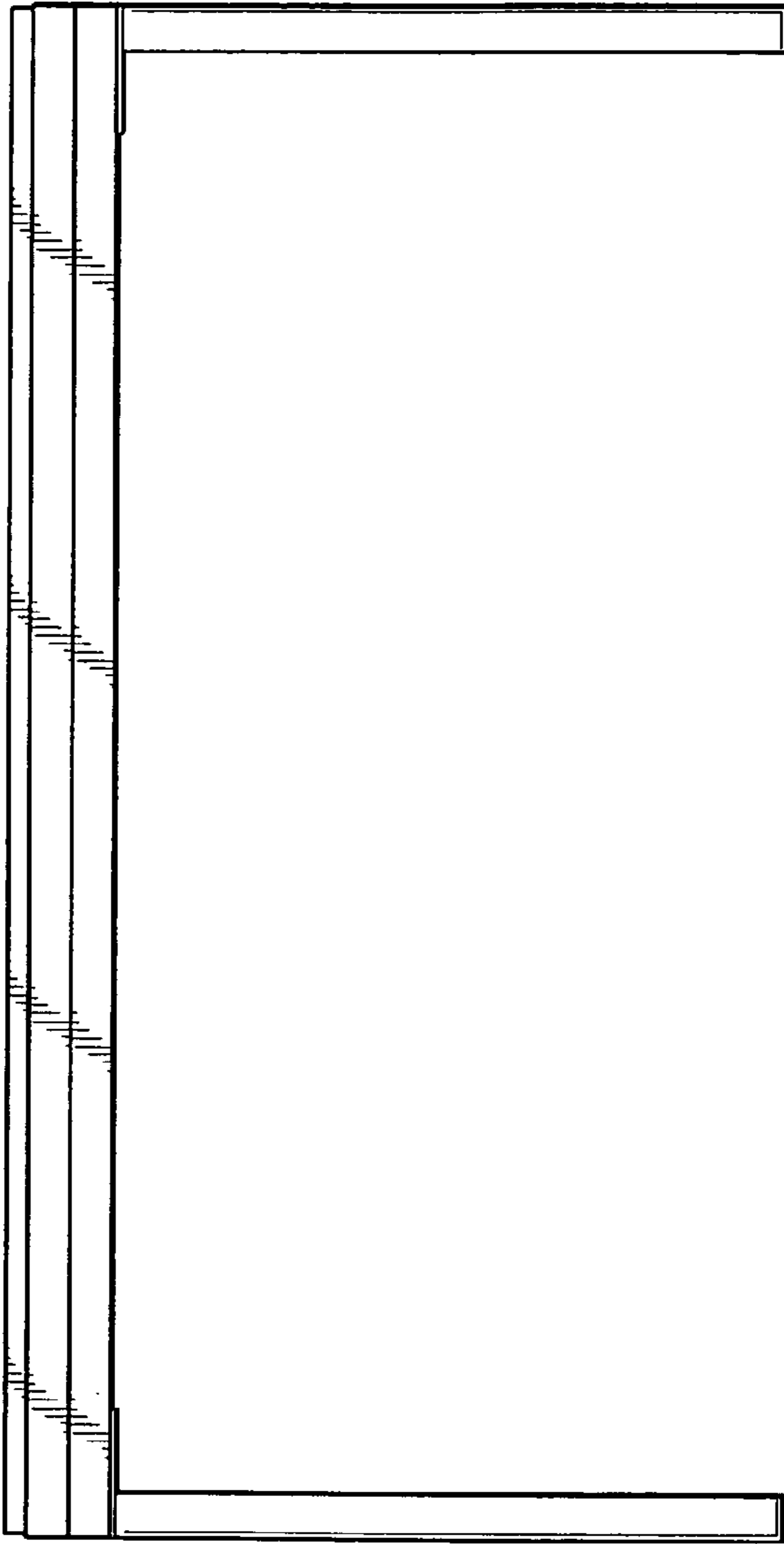


FIG. 2

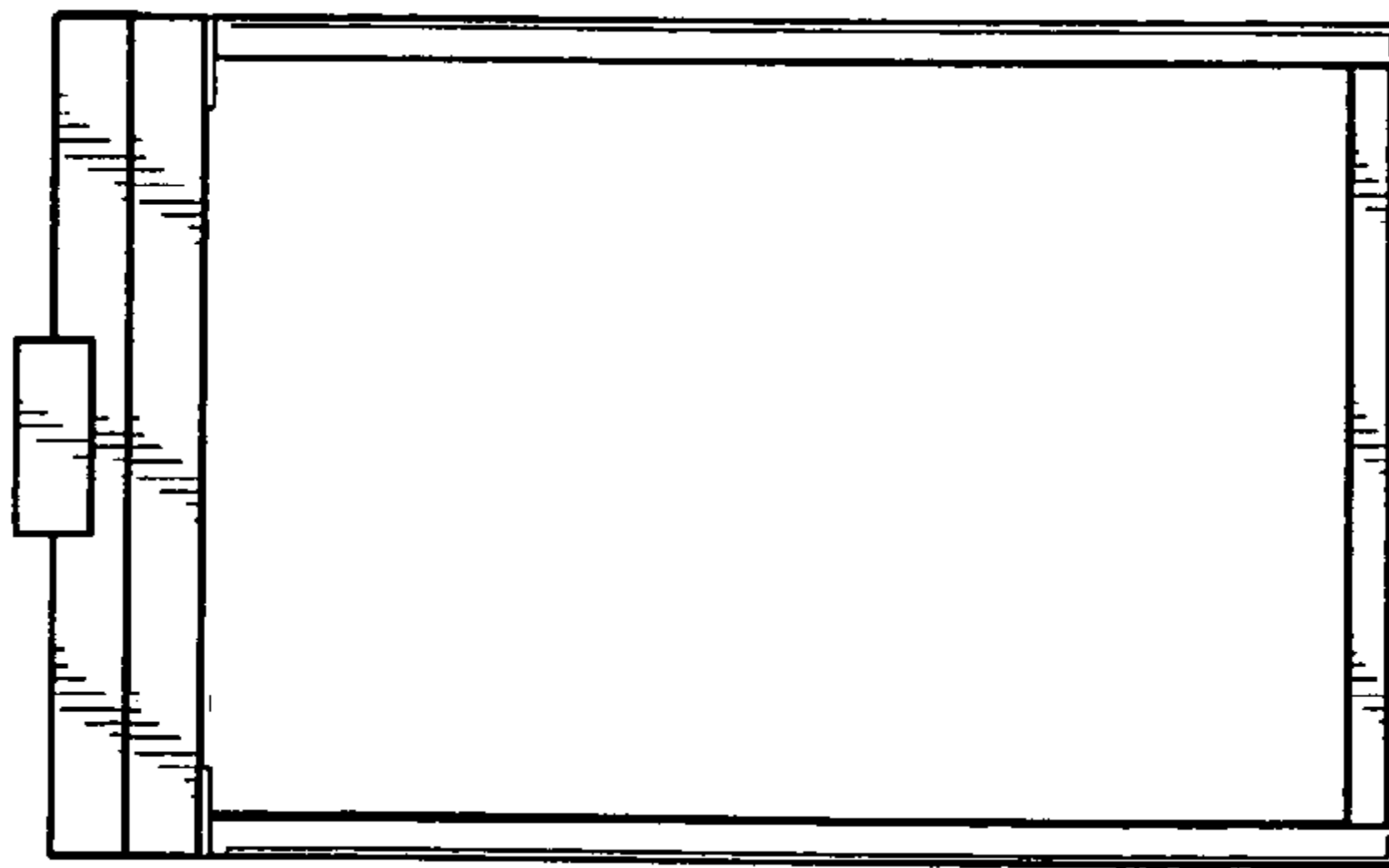


FIG. 4

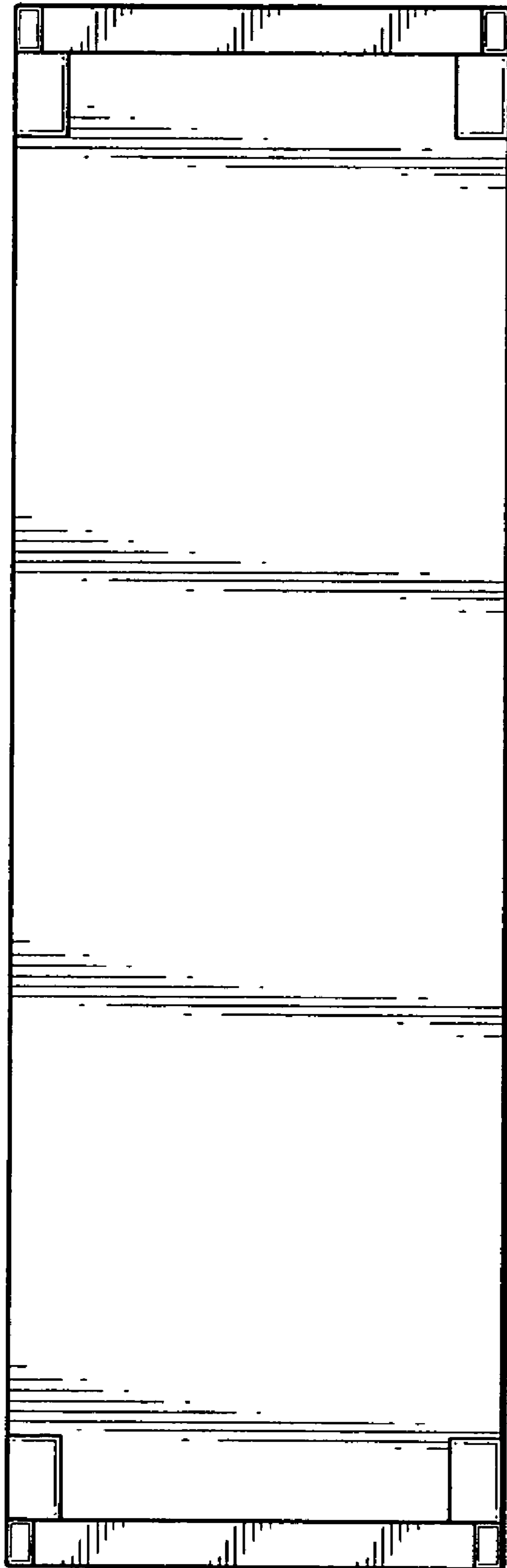


FIG. 5