



US00D558489S

(12) **United States Design Patent**
Christensen

(10) **Patent No.:** **US D558,489 S**
(45) **Date of Patent:** **** Jan. 1, 2008**

(54) **TABLE WITH POCKETS**

(57) **CLAIM**

(76) Inventor: **Kimberly E. Christensen**, 180 S. 300 West, Suite 326, Salt Lake City, UT (US) 84101

The ornamental design for a table with pockets, as shown and described.

(**) Term: **14 Years**

DESCRIPTION

(21) Appl. No.: **29/248,273**

FIG. 1 is a perspective view of an inventive table with pockets showing my new design;

(22) Filed: **Aug. 7, 2006**

FIG. 2 is an elevated front view thereof, the elevated back view thereof being identical thereto;

(51) **LOC (8) Cl.** **06-03**

FIG. 3 is a top plan view thereof;

(52) **U.S. Cl.** **D6/484**

FIG. 4 is an elevated left side view thereof, the elevated right side view thereof being identical thereto;

(58) **Field of Classification Search** D6/480-489, D6/495-499, 511; 108/150, 151, 153.1, 108/155, 156, 157.1, 161, 24-26; 248/188, 248/188.1, 188.7, 188.8
See application file for complete search history.

FIG. 5 is a bottom plan view thereof;

FIG. 6 is a perspective view of a second embodiment of the inventive table with pockets, the table being shown with five pockets;

FIG. 7 is an elevated front view thereof, the elevated back view thereof being identical thereto;

(56) **References Cited**

U.S. PATENT DOCUMENTS

3,290,105	A	*	12/1966	Nall	312/209
D220,704	S	*	5/1971	Kramer	D6/484
D244,076	S	*	4/1977	Saltz	D6/484
D244,114	S	*	4/1977	Neff	D6/484
4,625,655	A	*	12/1986	Brickman	108/25
D439,446	S	*	3/2001	Harrison	D6/480
D510,492	S	*	10/2005	Sakurai et al.	D6/495
D536,394	S	*	2/2007	Meoli et al.	D21/397

FIG. 8 is a top plan view thereof;

FIG. 9 is a elevated left side view thereof, the elevated right side view thereof being identical thereto;

FIG. 10 is a bottom plan view thereof;

FIG. 11 is a perspective view of a third embodiment of the table with pockets, the table being shown with circular pockets;

FIG. 12 is an elevated front view thereof, the elevated back view thereof being identical thereto;

FIG. 13 is a top plan view thereof;

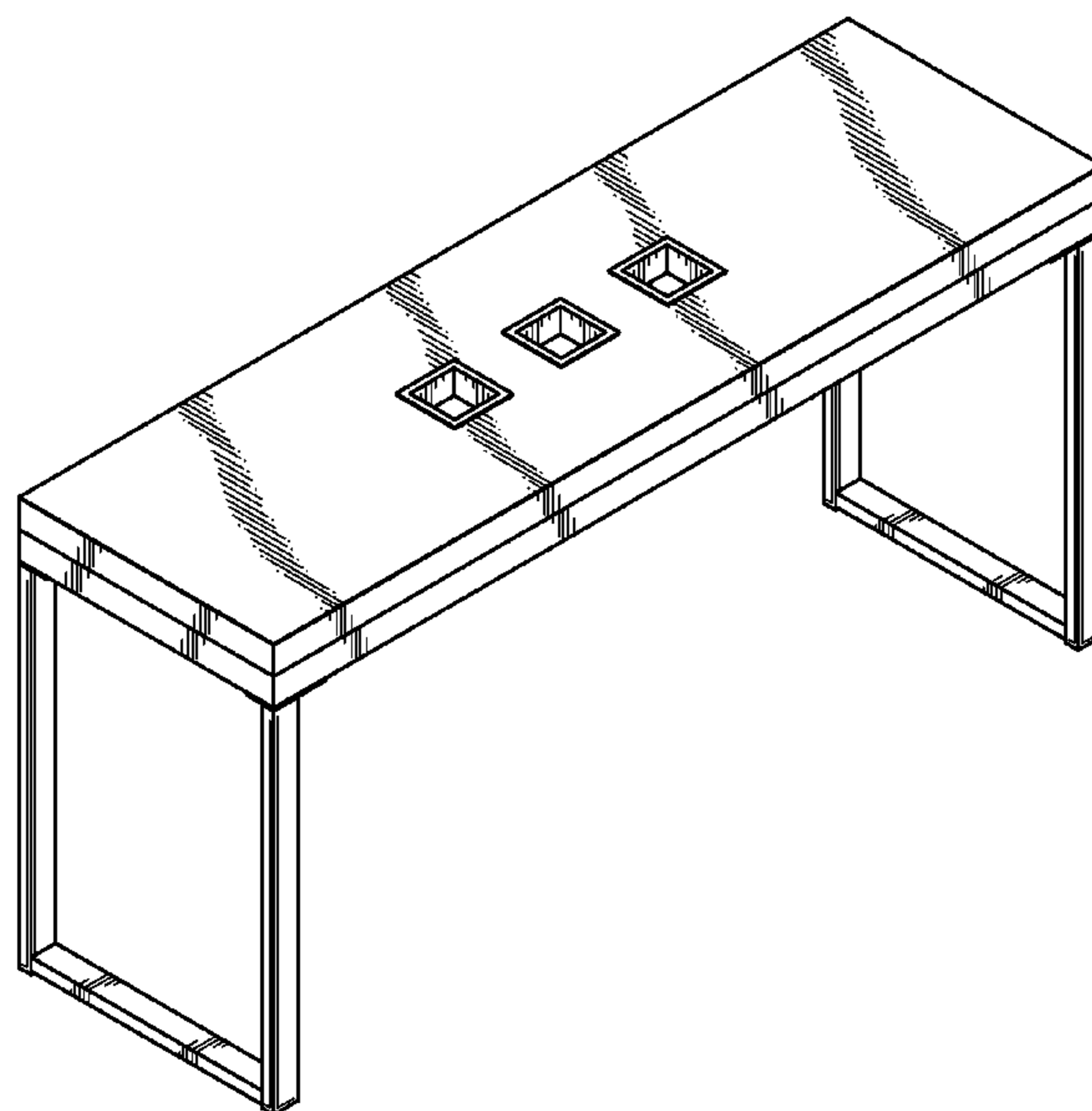
FIG. 14 is an elevated left side view thereof, the elevated right side view thereof being identical thereto; and,

FIG. 15 is a bottom plan view thereof.

* cited by examiner

Primary Examiner—Janice E. Seeger
(74) *Attorney, Agent, or Firm*—Workman Nydegger

1 Claim, 9 Drawing Sheets



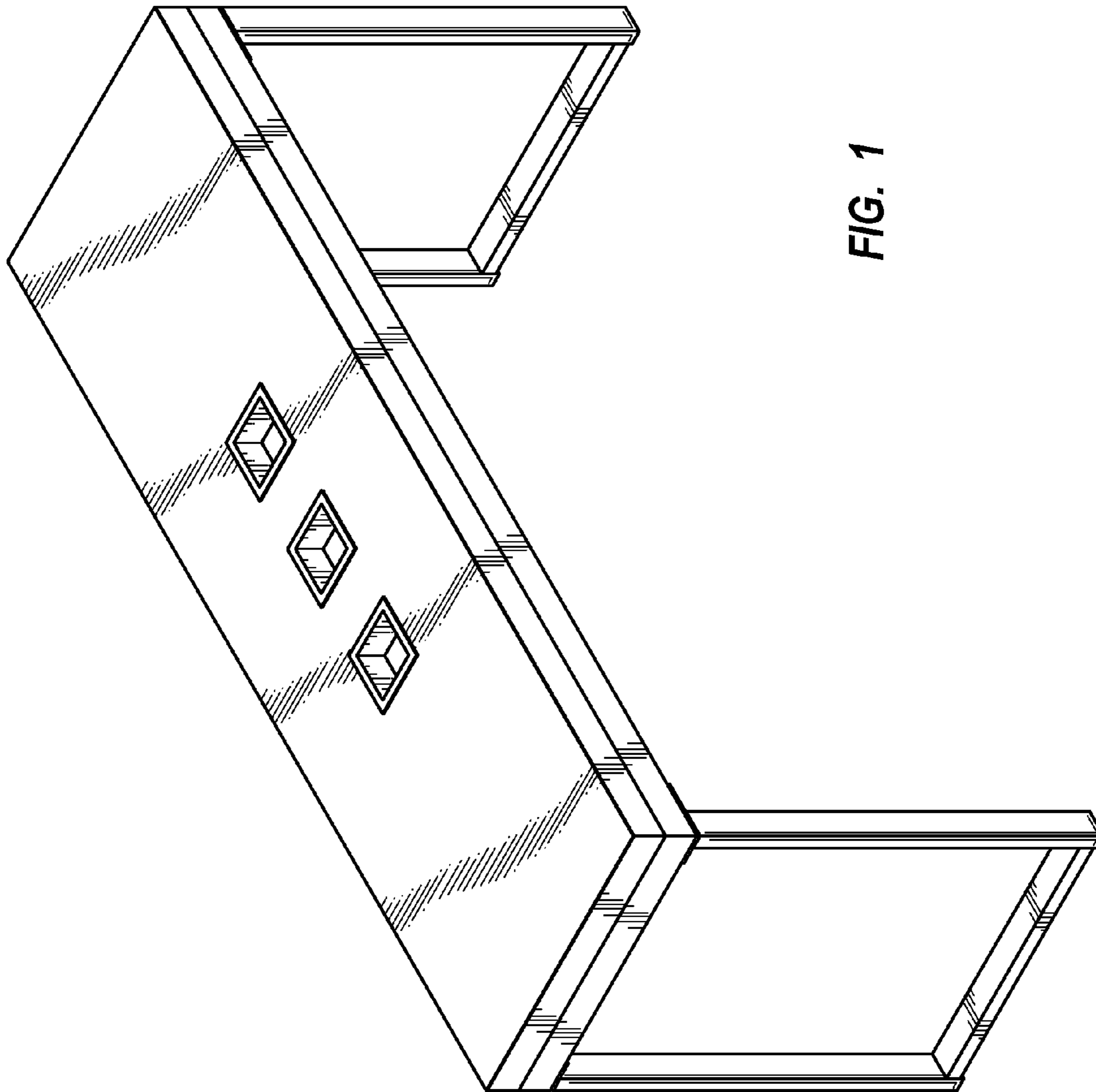


FIG. 1

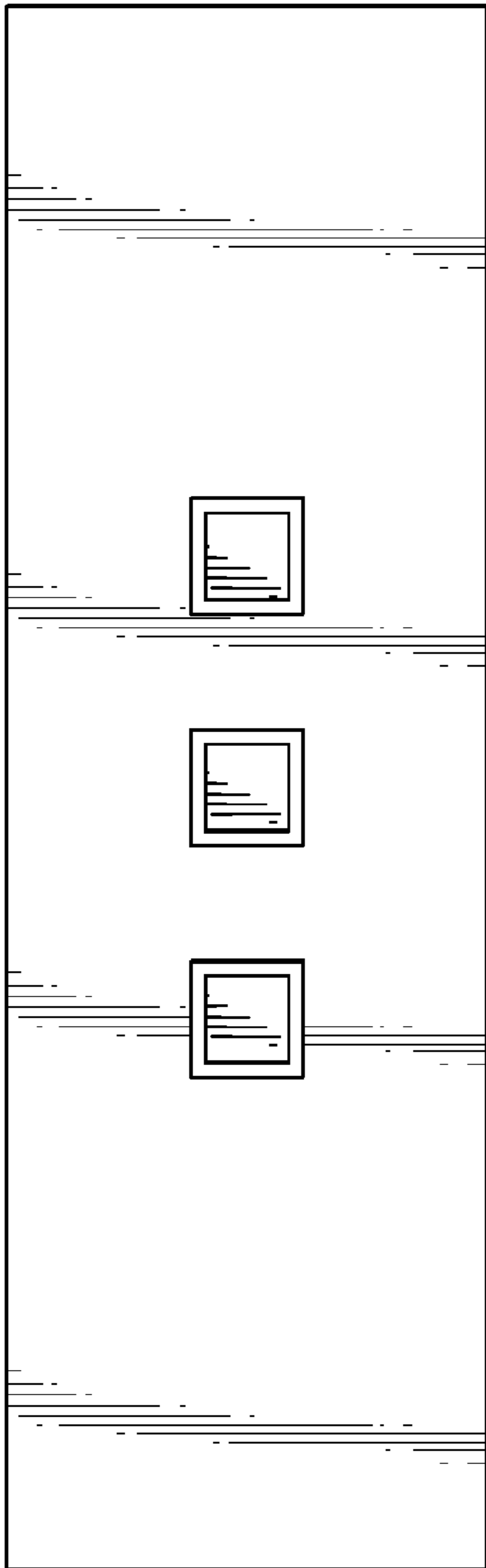


FIG. 3

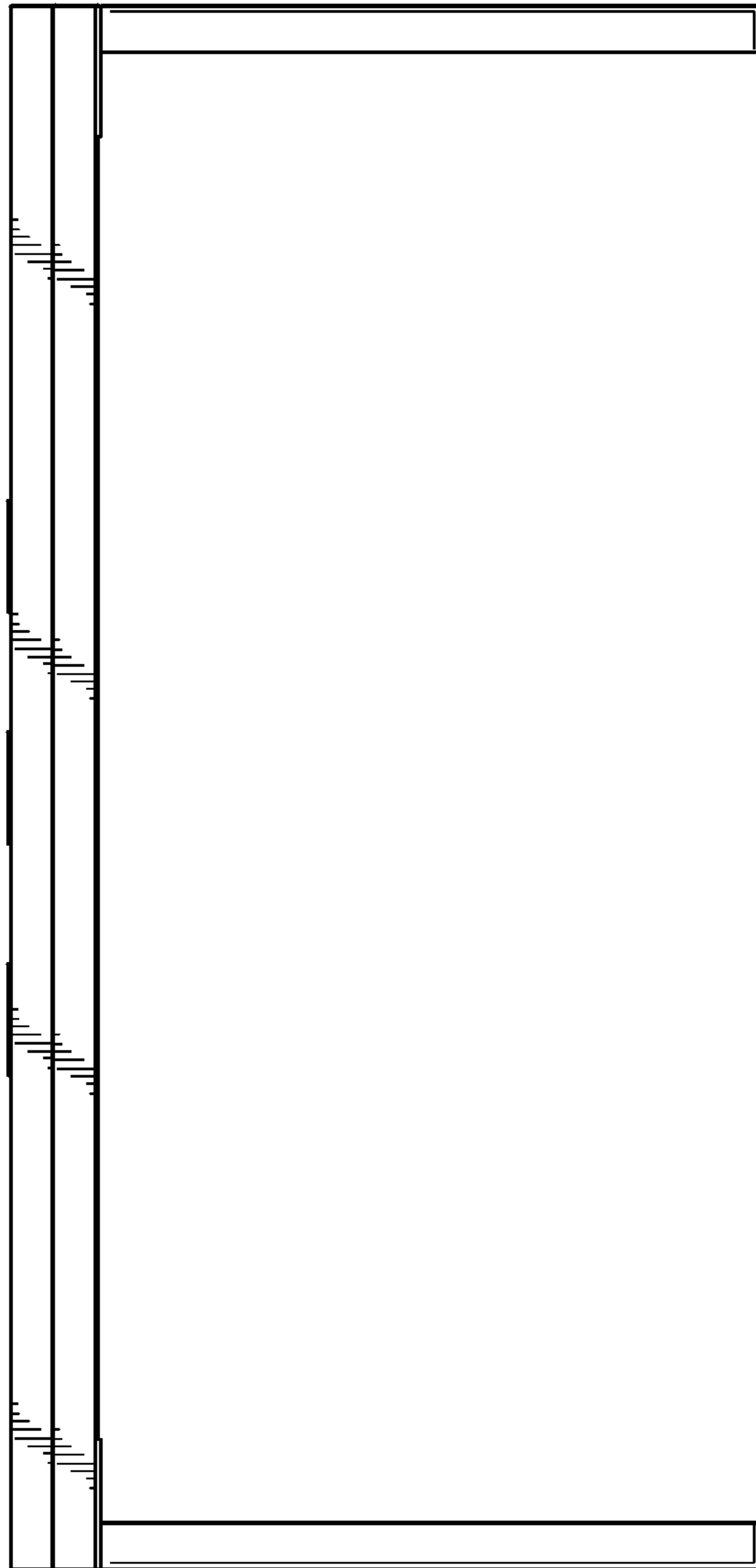


FIG. 2

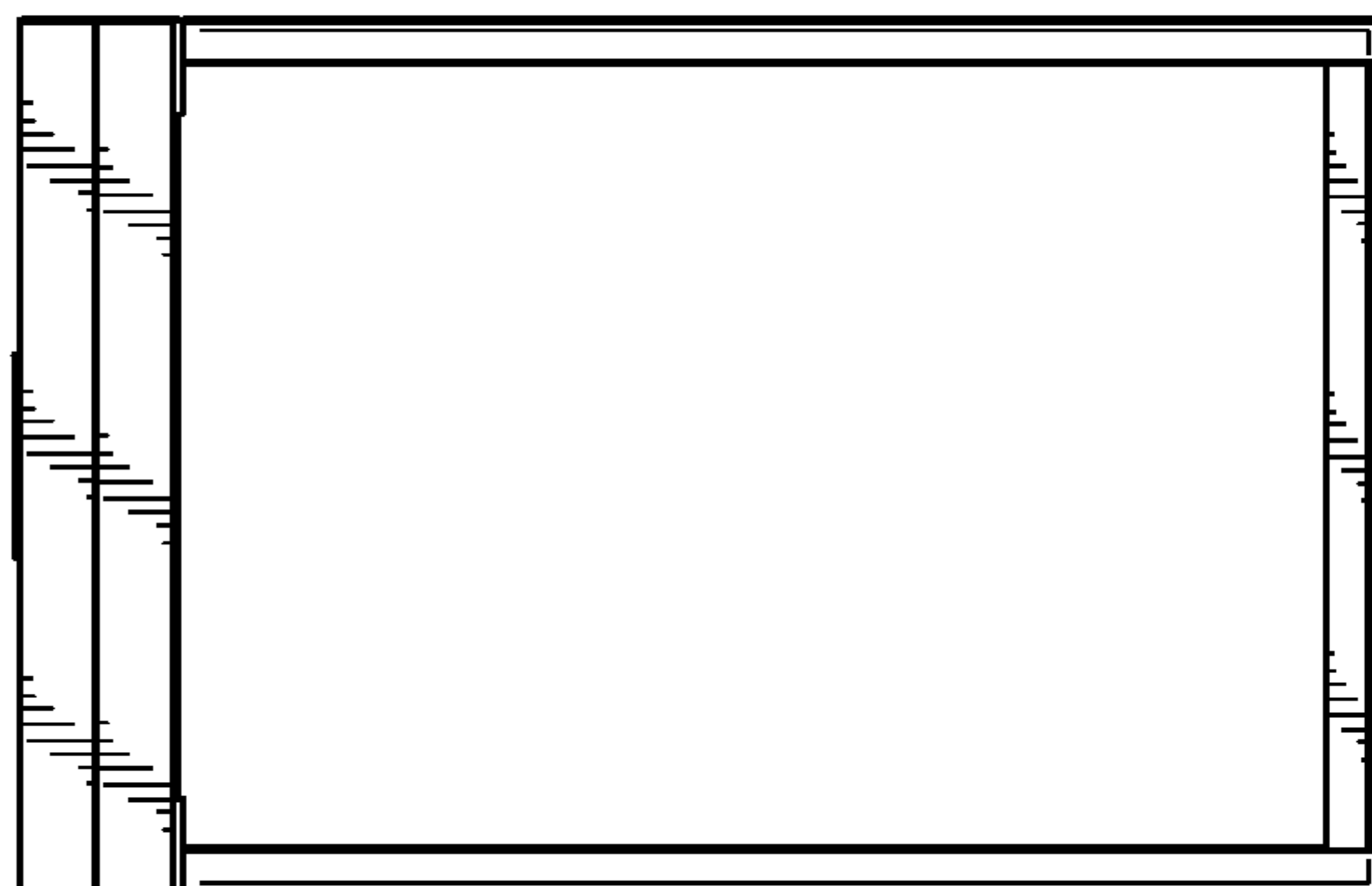


FIG. 4

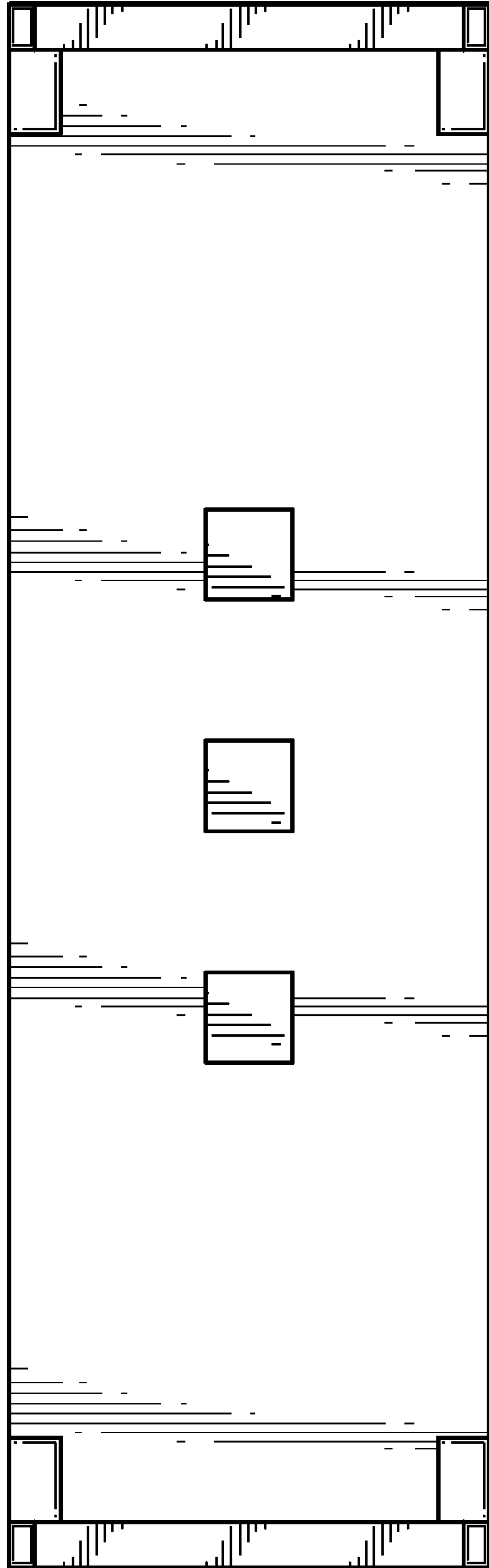


FIG. 5

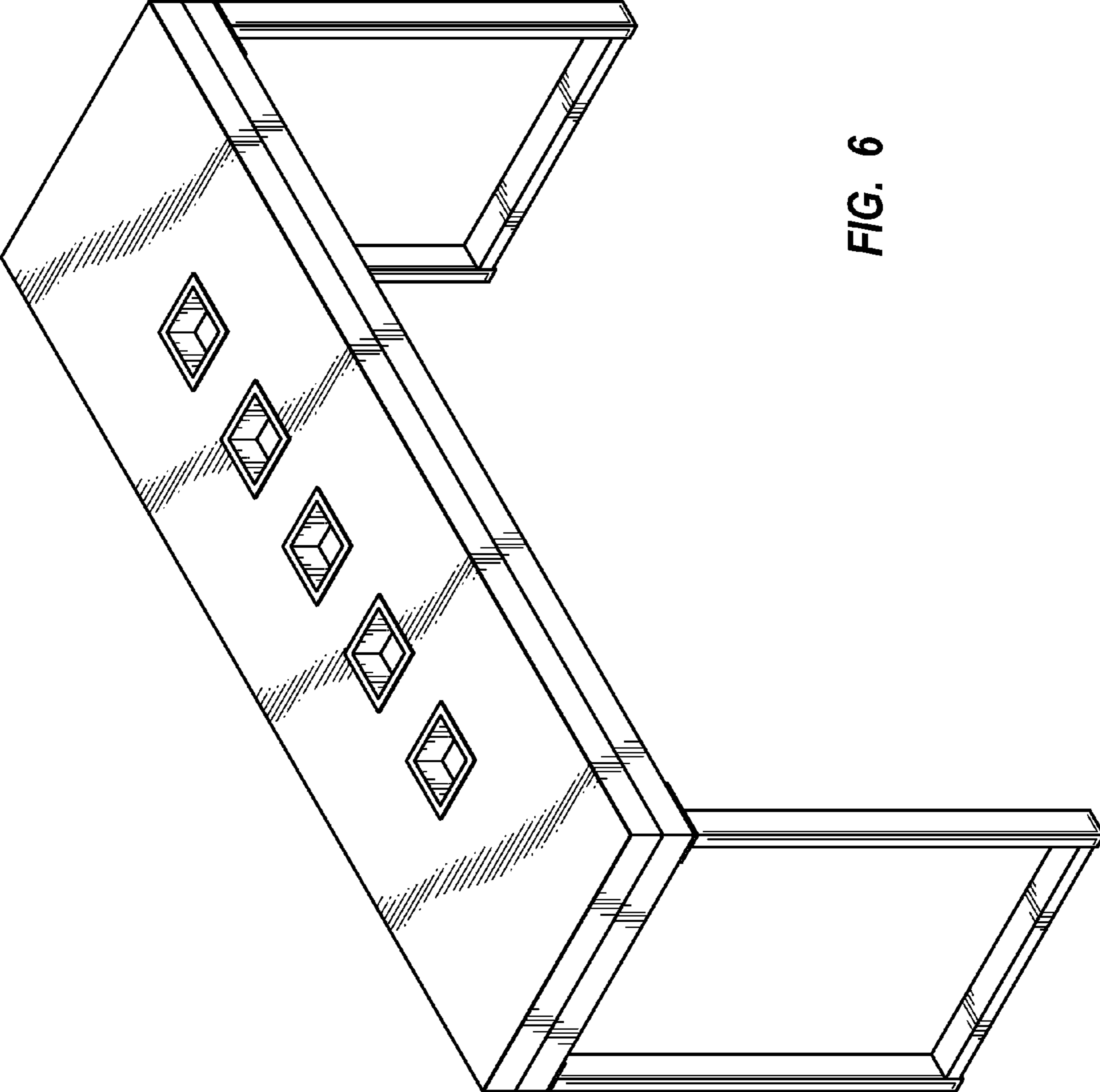


FIG. 6

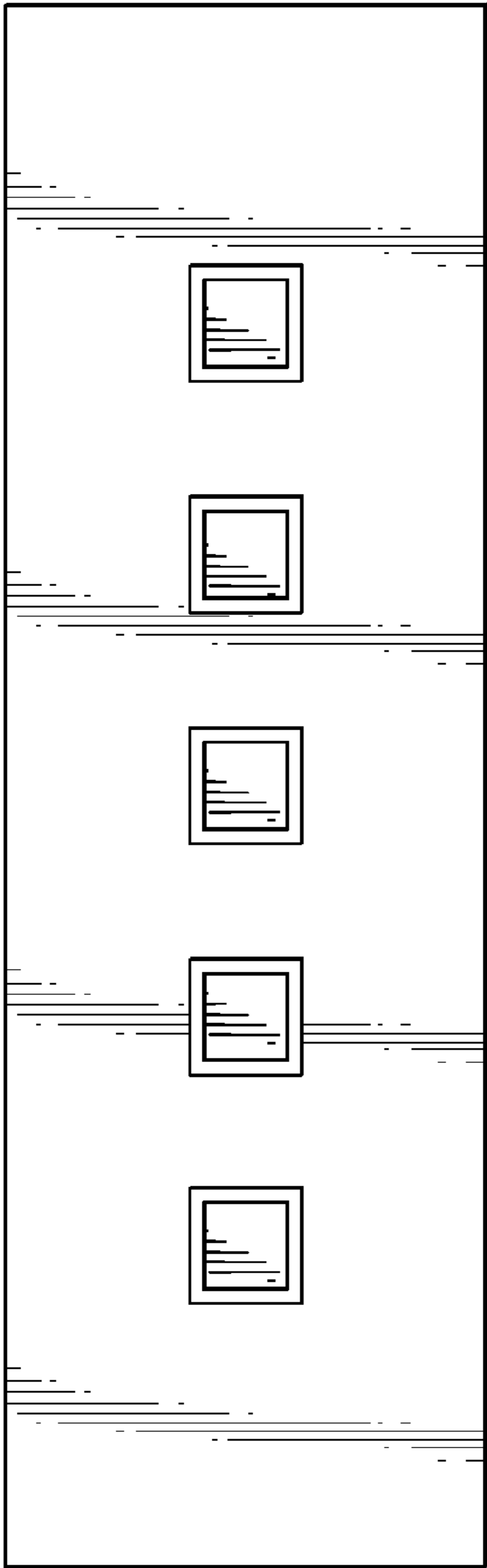


FIG. 8

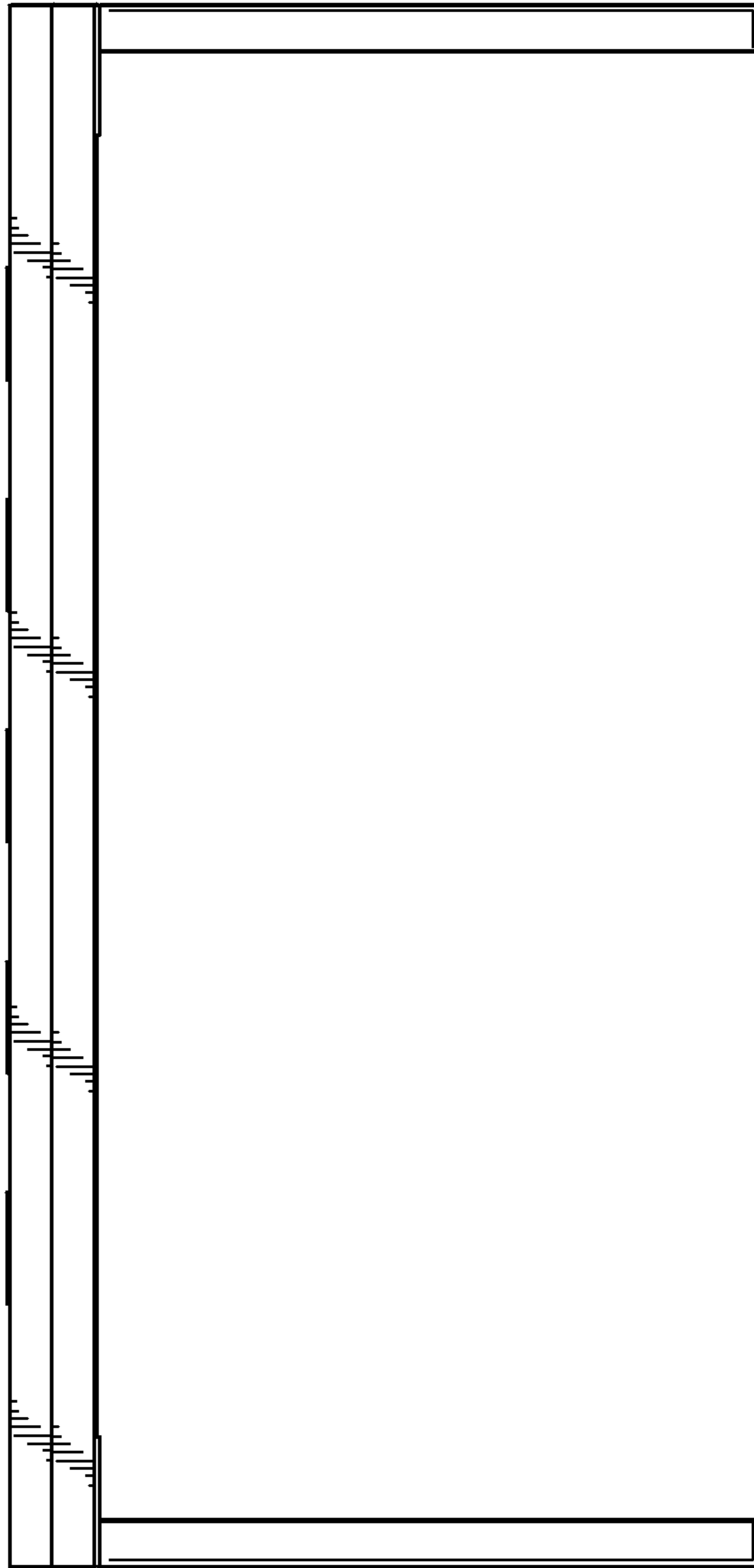


FIG. 7

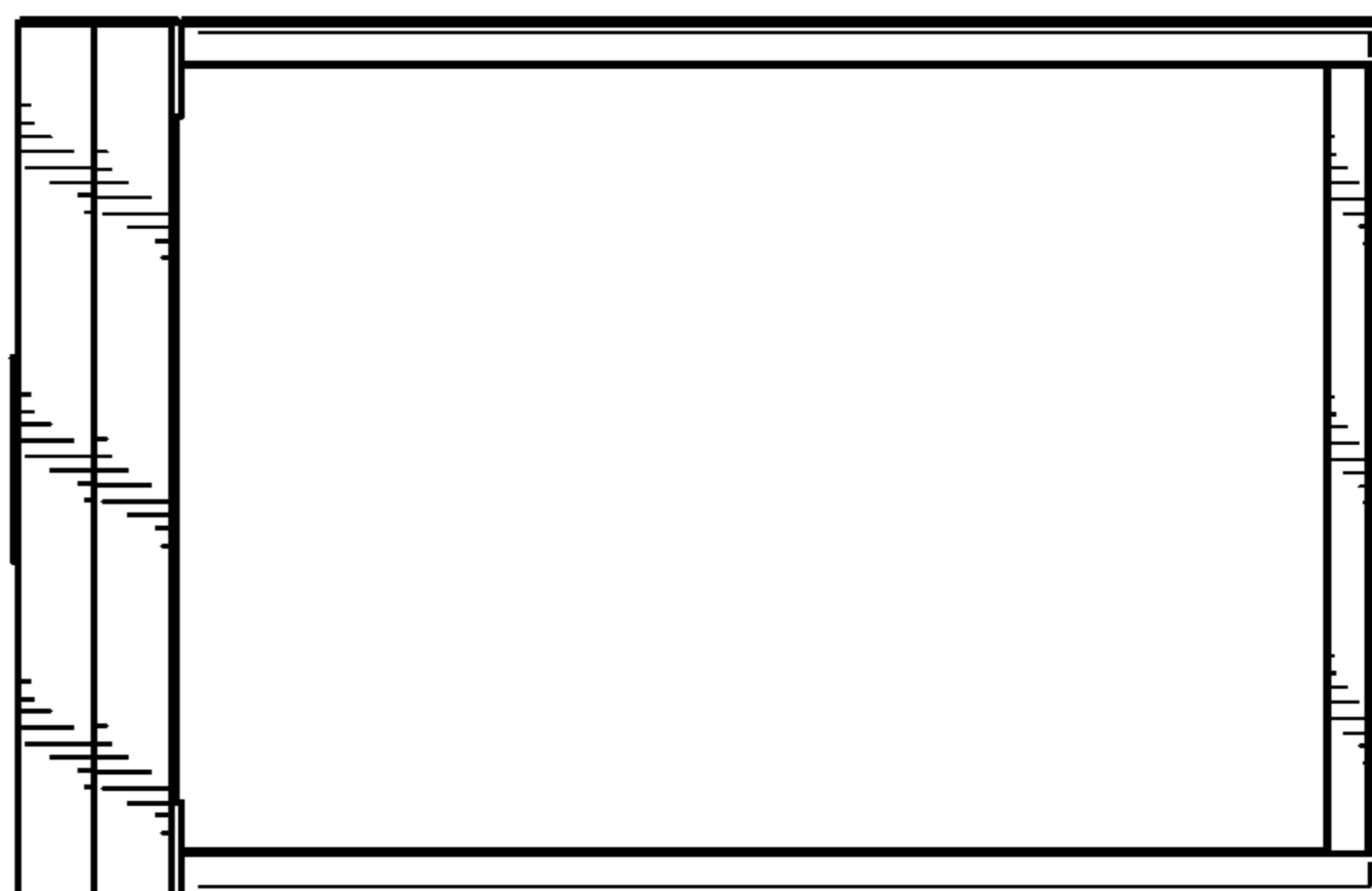


FIG. 9

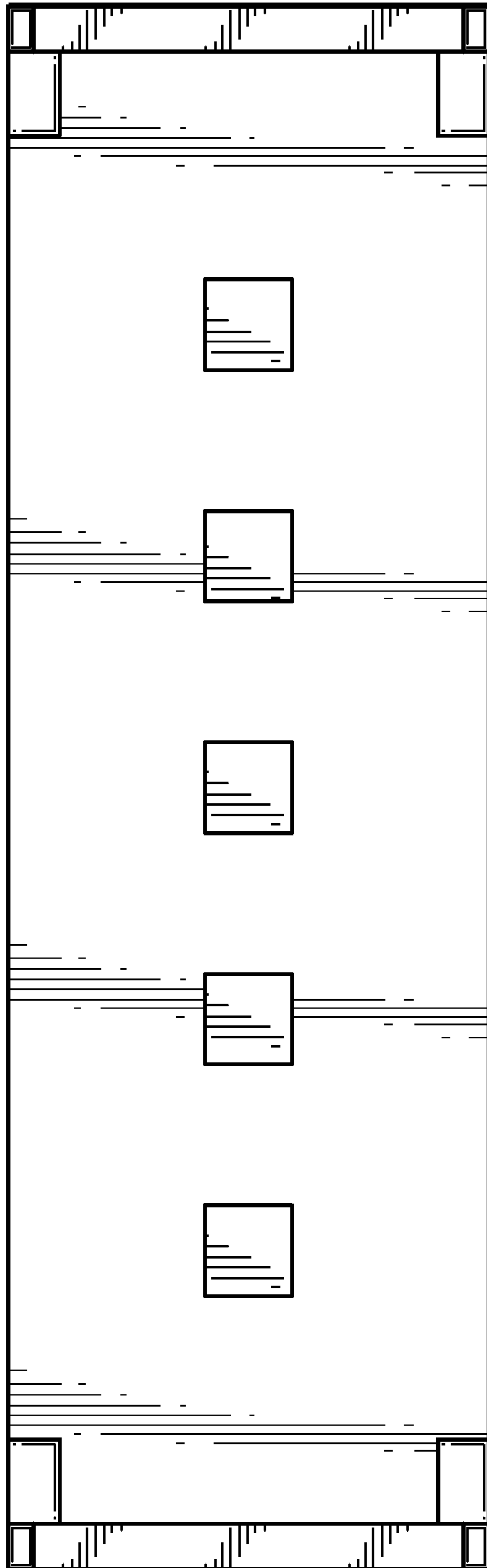


FIG. 10

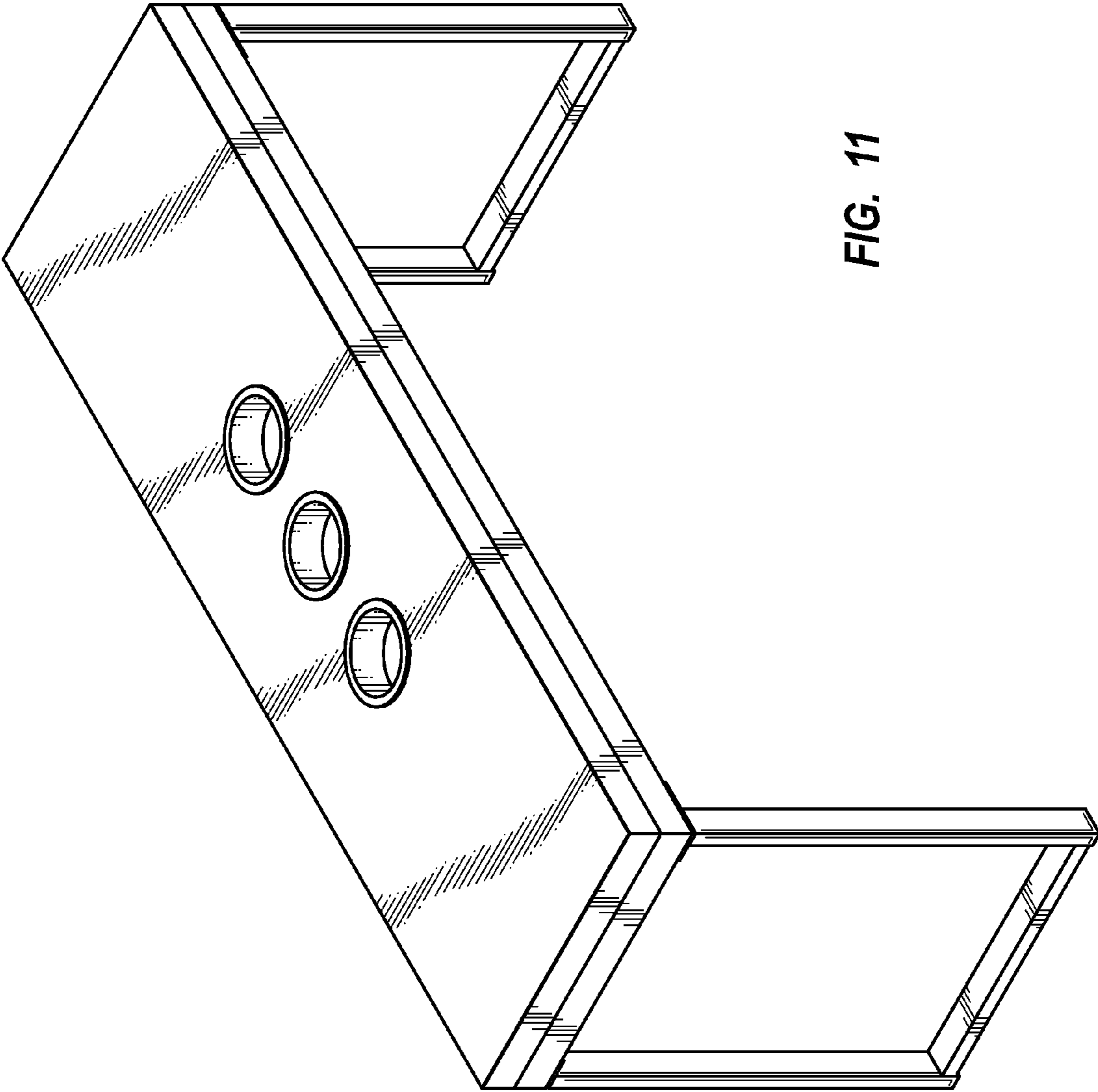


FIG. 11

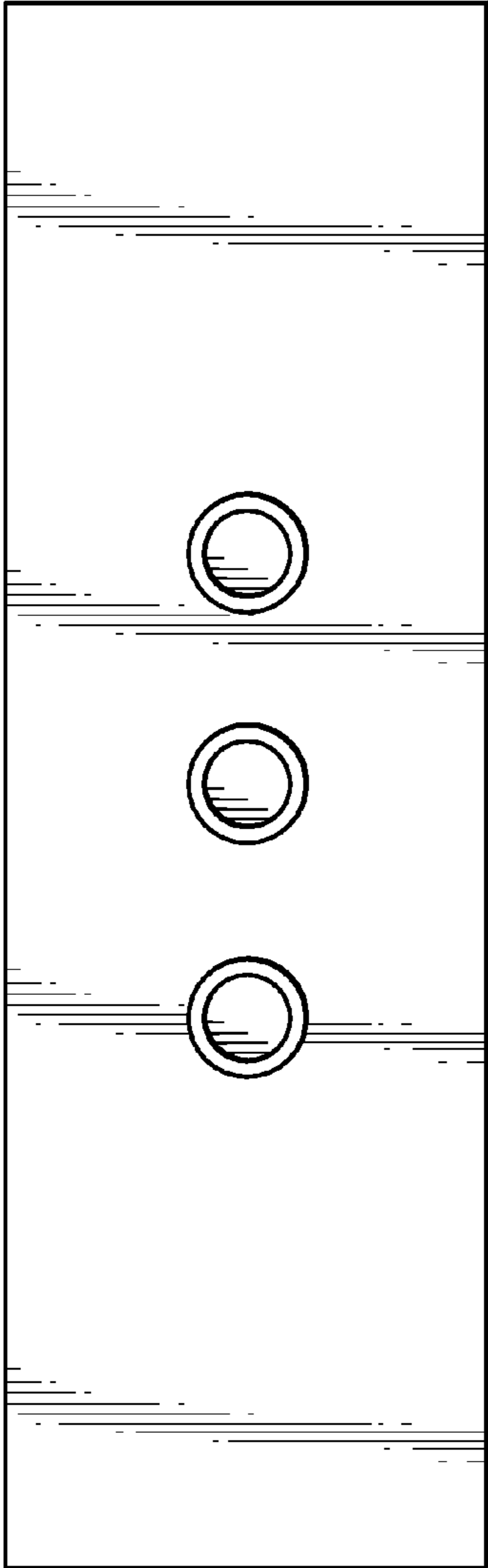


FIG. 13

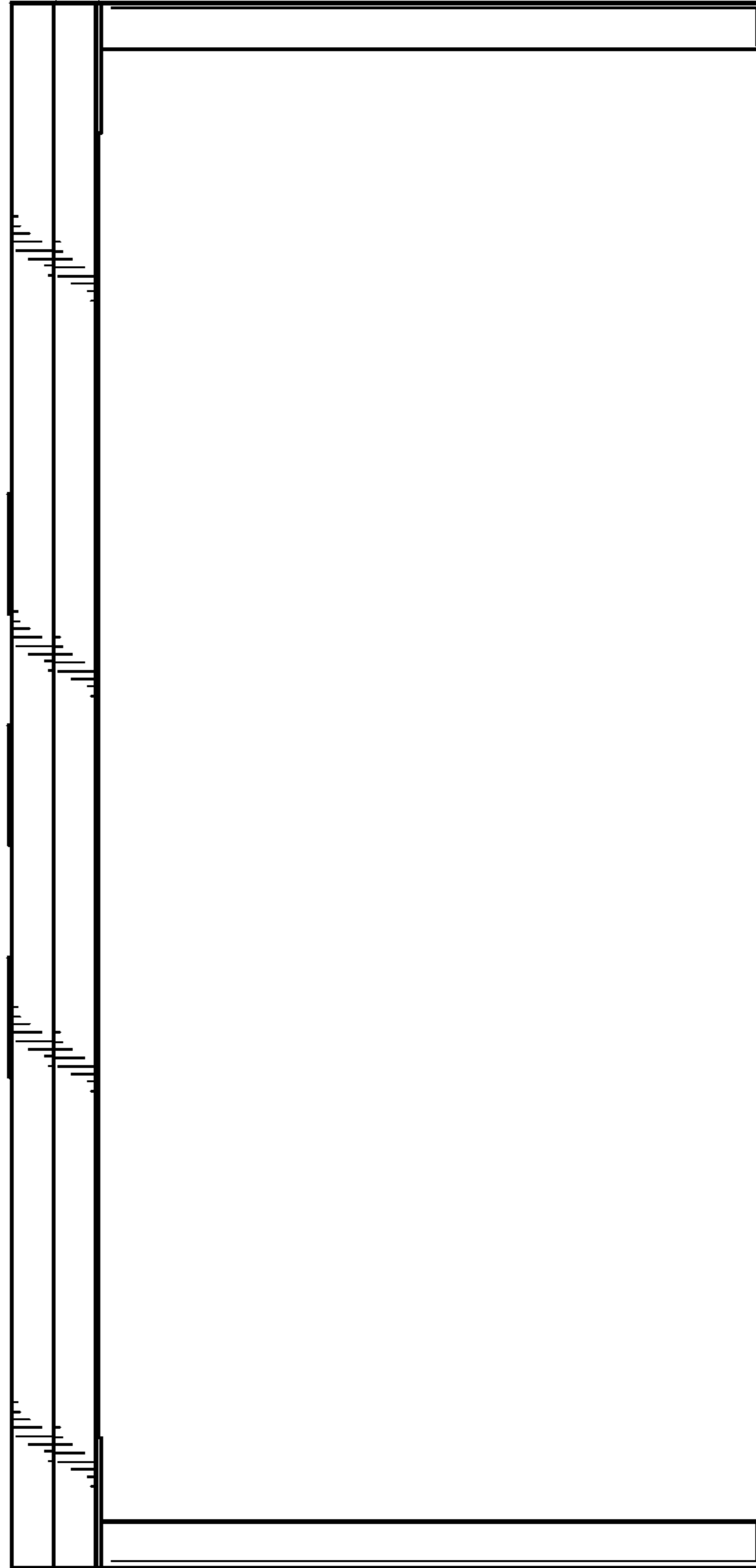


FIG. 12

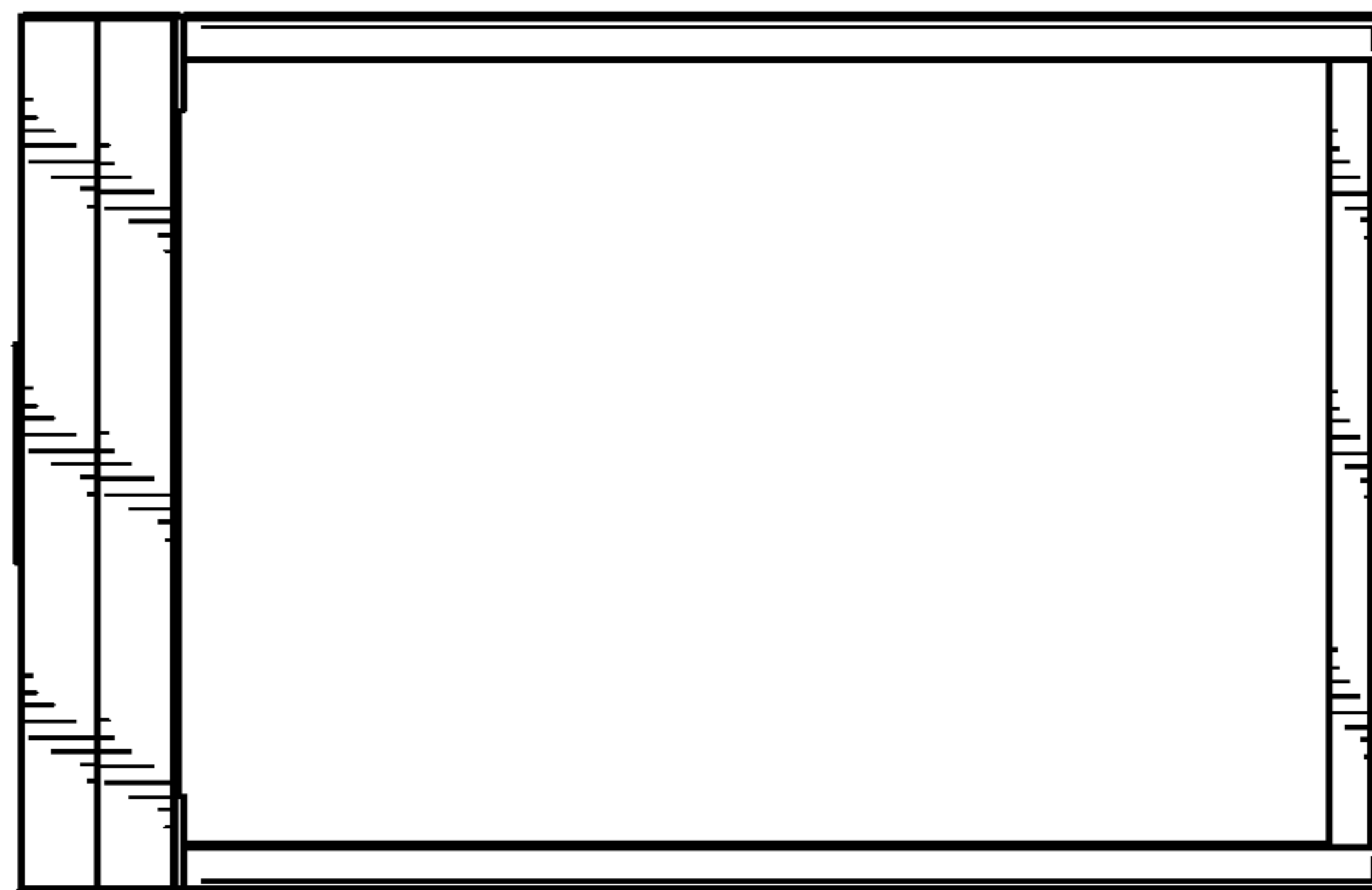


FIG. 14

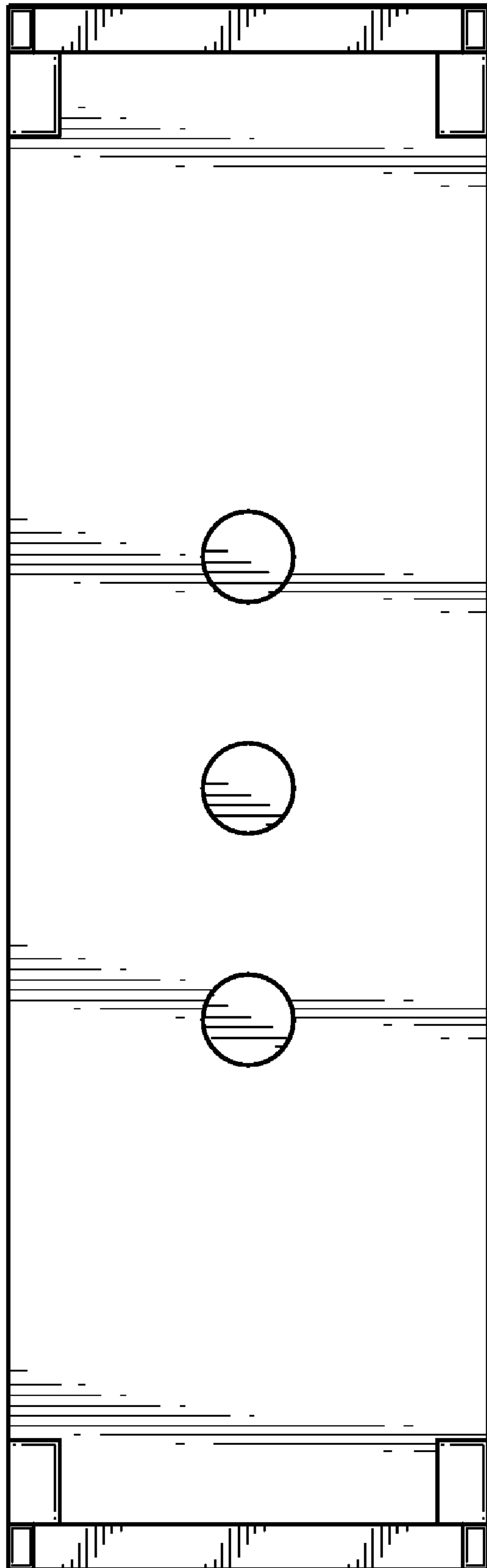


FIG. 15