



US00D558487S

(12) **United States Design Patent** (10) **Patent No.:** **US D558,487 S**
Everson et al. (45) **Date of Patent:** **** Jan. 1, 2008**

(54) **COCKTAIL TABLE**

OTHER PUBLICATIONS

(75) Inventors: **Terry A. Everson**, Blair, WI (US);
Randy D. Domack, Trempealeau, WI (US)

Ashley, "Lincoln Road", T356, Table, 2003, 1 page.
Marshall Fields, Table, 2004, 1 page.

* cited by examiner

(73) Assignee: **Ashley Furniture Industries, Inc.**,
Arcadia, WI (US)

Primary Examiner—Janice E. Seeger

(74) *Attorney, Agent, or Firm*—Patterson, Thuente, Skaar &
Christensen, P.A.

(**) Term: **14 Years**

(57) **CLAIM**

(21) Appl. No.: **29/255,828**

The ornamental design for a cocktail table, as shown and described.

(22) Filed: **Mar. 13, 2006**

DESCRIPTION

(51) **LOC (8) Cl.** **06-03**

FIG. 1 is a perspective view of a cocktail table according to an embodiment of the invention.

(52) **U.S. Cl.** **D6/480**

FIG. 2 is a side view of a cocktail table according to an embodiment of the invention, the view from the opposite side being a mirror-image thereto.

(58) **Field of Classification Search** D6/480-489,
D6/495, 497, 429-431, 511, 477; 108/153.1,
108/155, 156, 157.1, 161, 69, 83, 89; 248/188,
248/188.1

FIG. 3 is a an end view of a cocktail table according to an embodiment of the invention, the view from the opposite end being a mirror-image thereto.

See application file for complete search history.

FIG. 4 is a bottom plan view of the lower stretcher of the cocktail table shown separately for convenience of illustration; and,

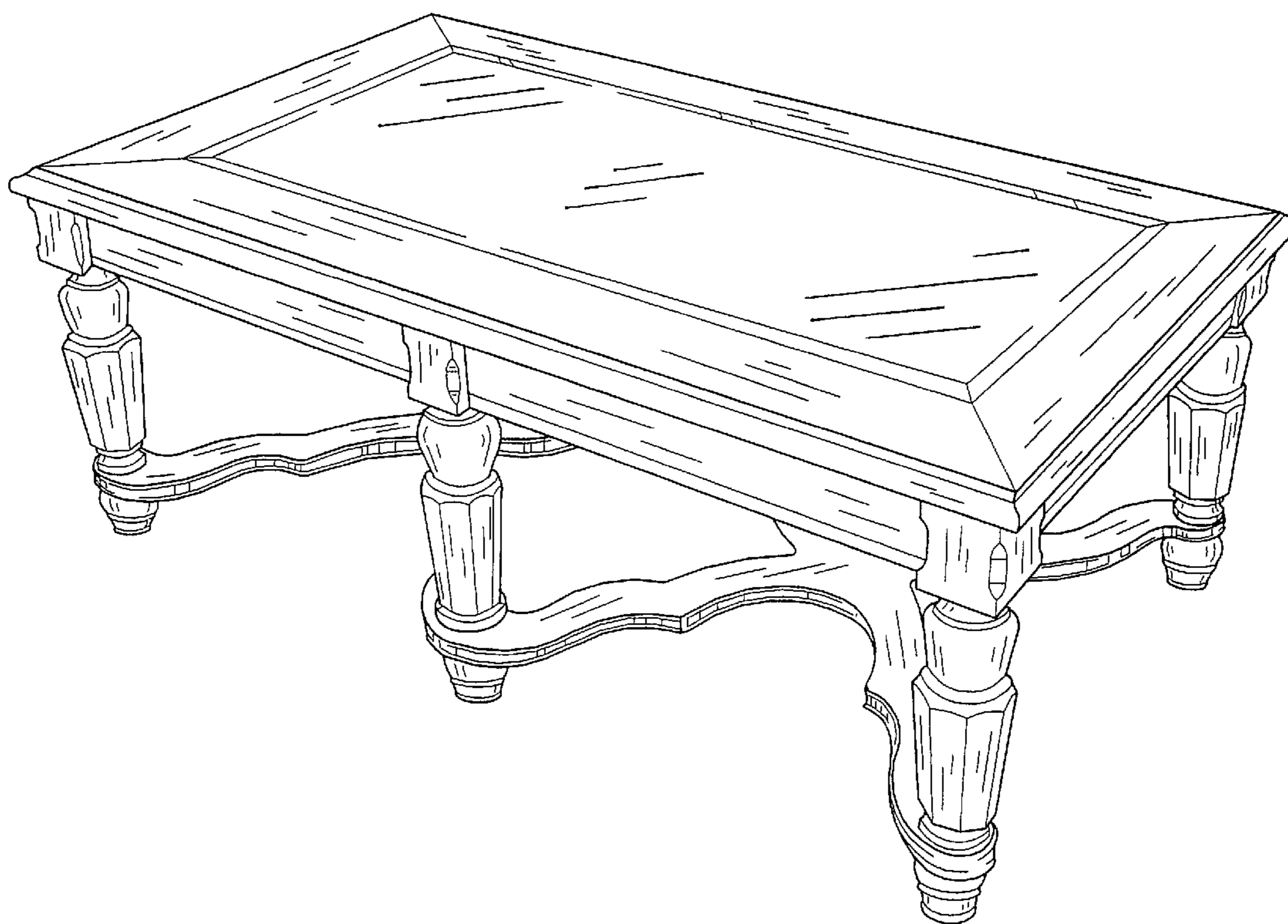
(56) **References Cited**

U.S. PATENT DOCUMENTS

D90,112 S	4/1933	Ginsberg	
D245,302 S *	8/1977	Pratt	D6/480
D374,139 S *	10/1996	Paus	D6/484
D455,298 S *	4/2002	McDaniel et al.	D6/480
D513,676 S *	1/2006	Vaaler	D6/480

FIG. 5 is a top view of a cocktail table according to an embodiment of the invention.

1 Claim, 3 Drawing Sheets



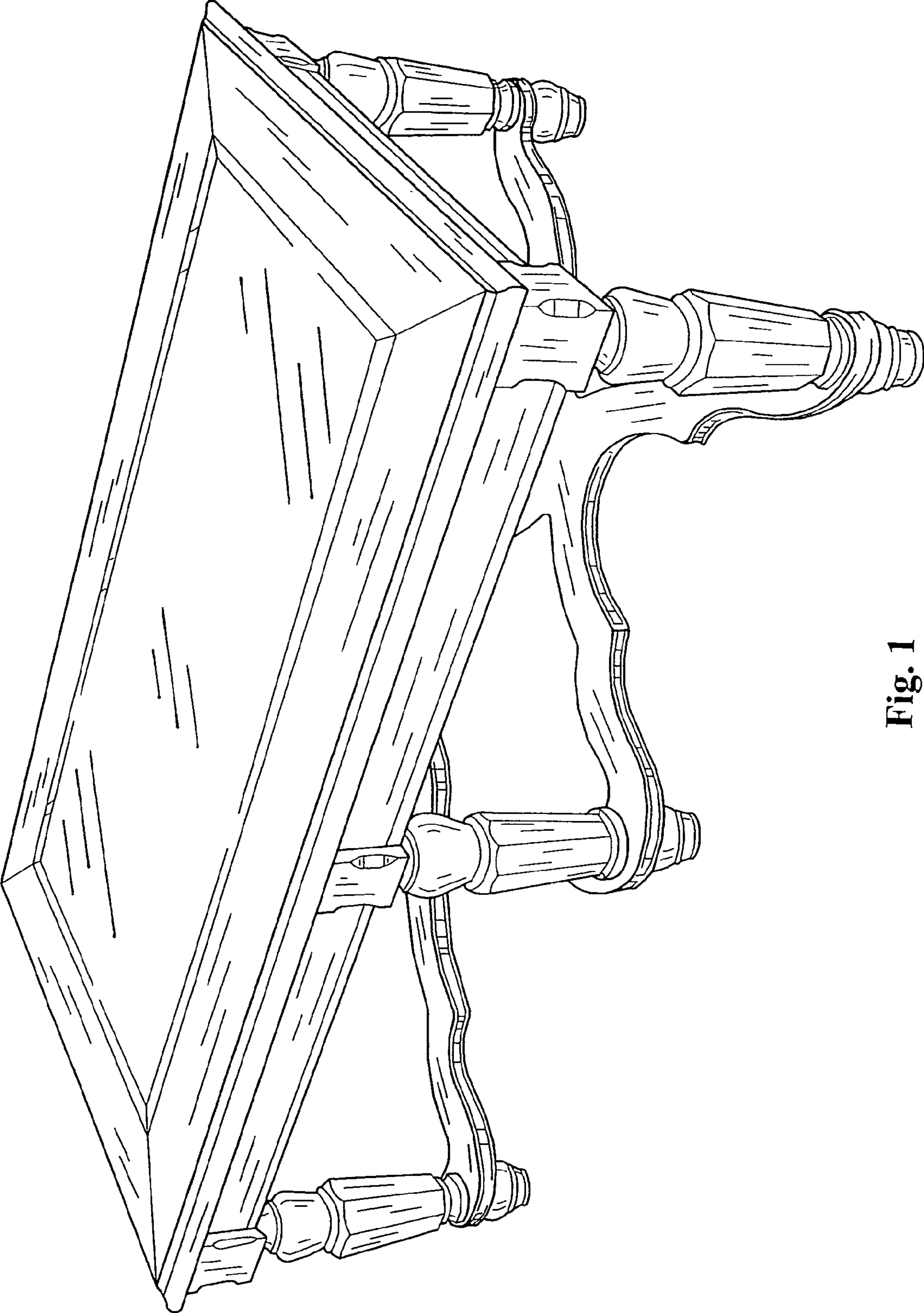


Fig. 1

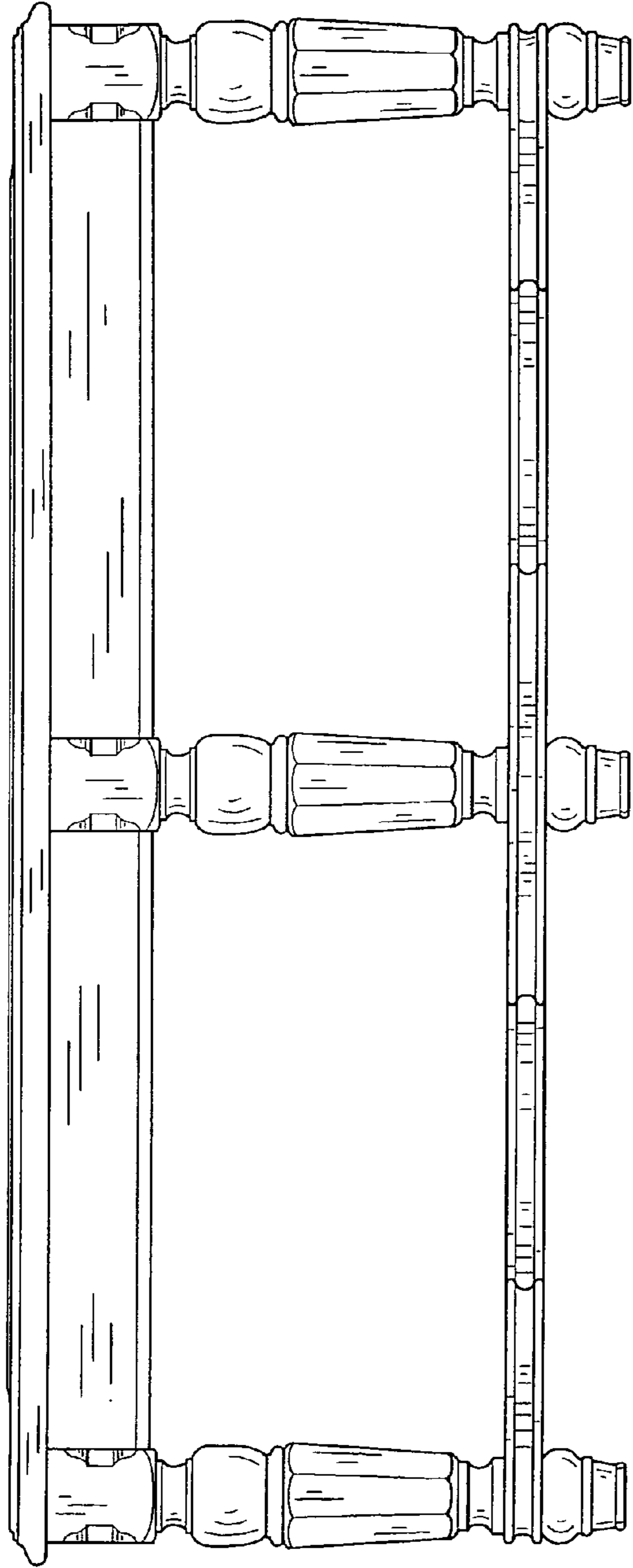


Fig. 2

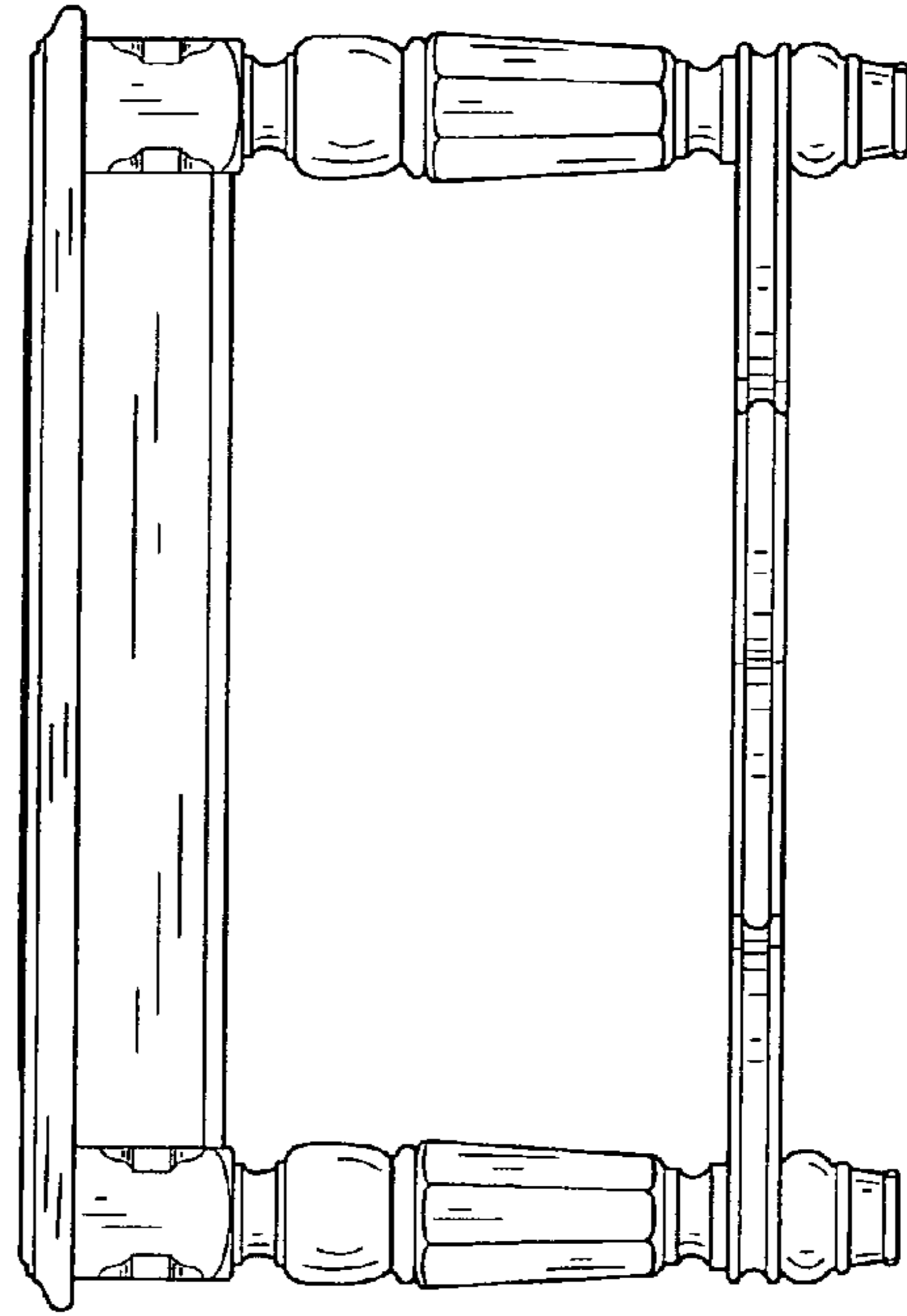


Fig. 3

Fig. 4

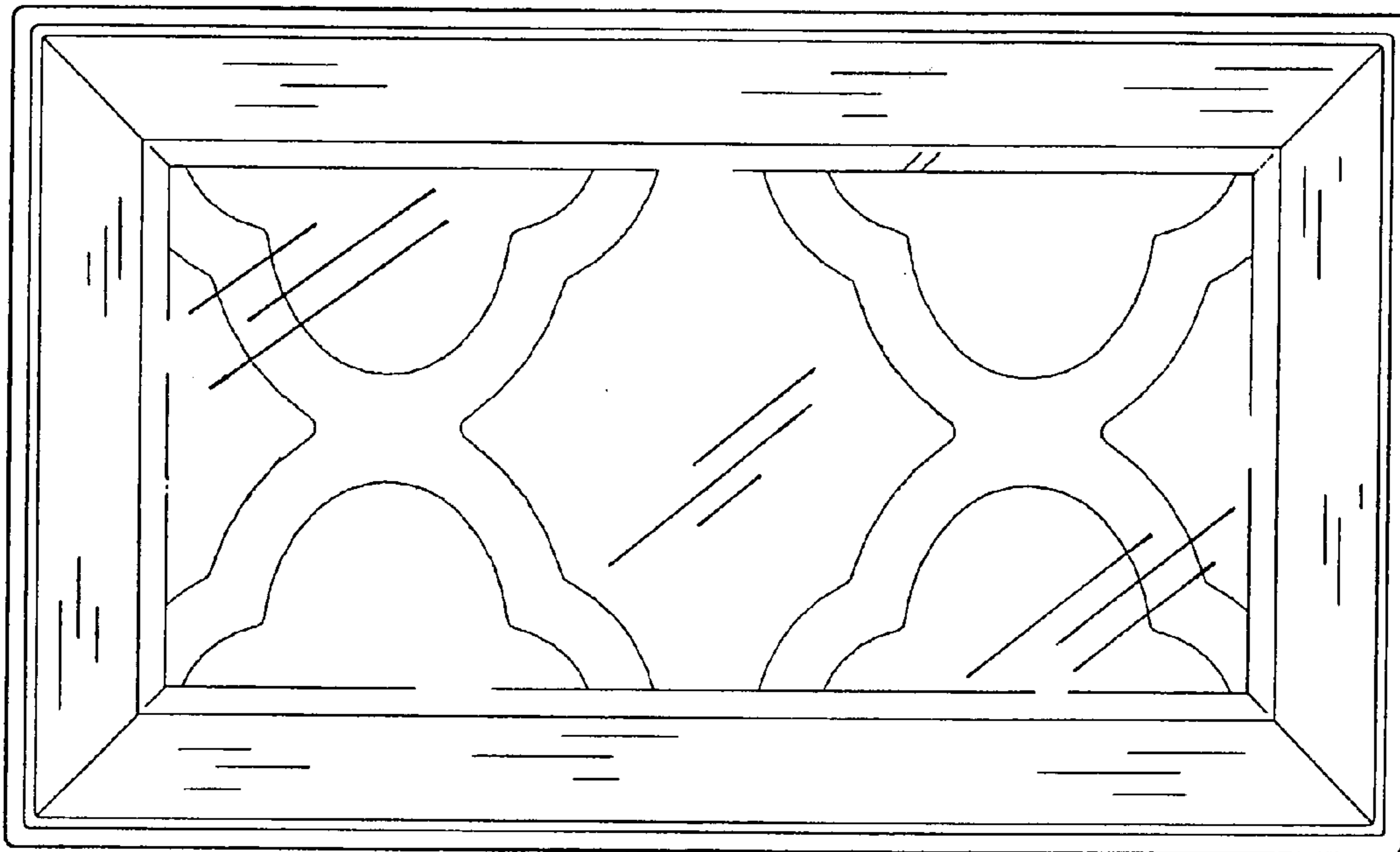
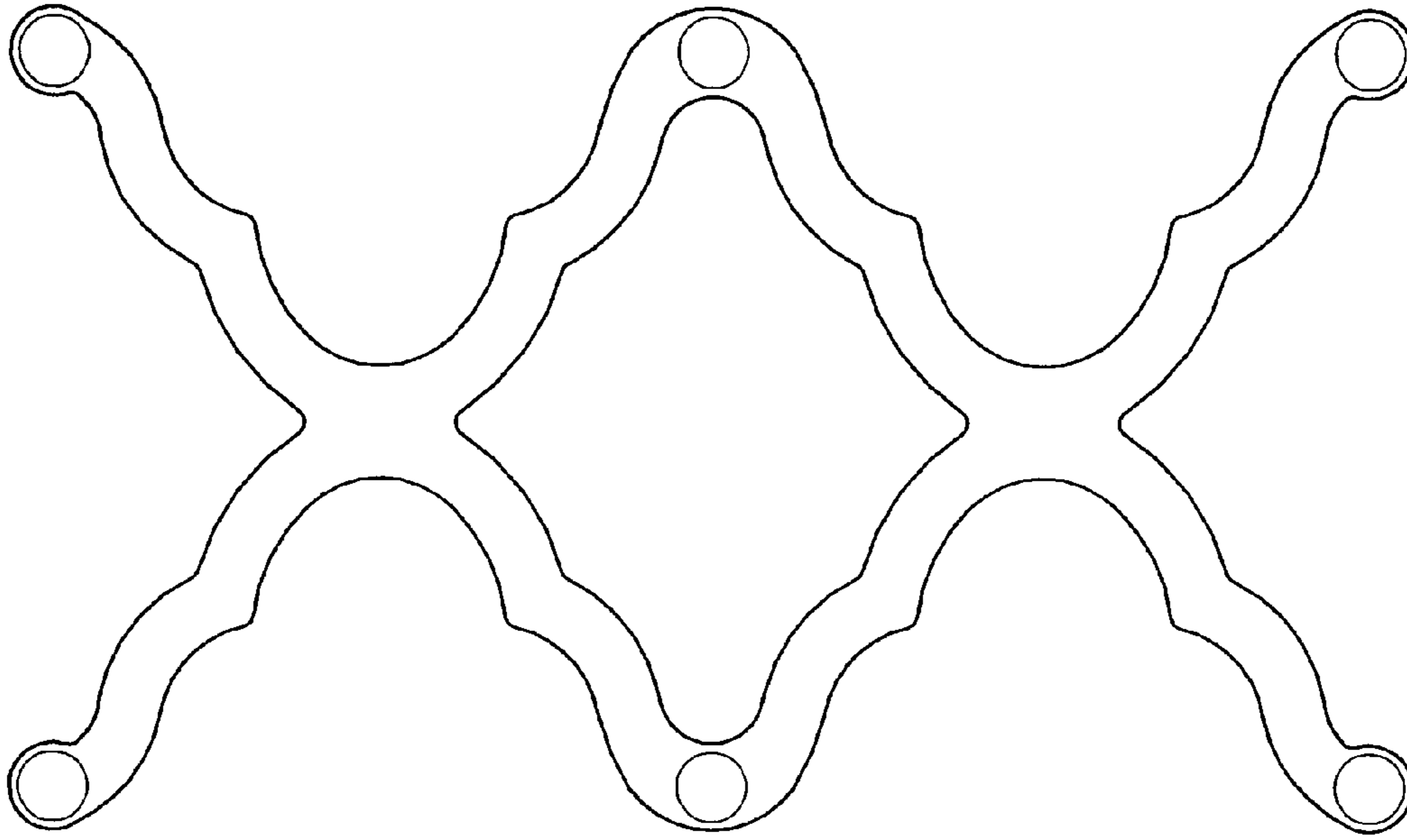


Fig. 5