



US00D558486S

(12) **United States Design Patent**
Hoang et al.

(10) **Patent No.:** **US D558,486 S**
(45) **Date of Patent:** **** Jan. 1, 2008**

(54) **360 DEGREE DISPLAY CASE**

D518,857 S * 4/2006 Miller D20/29

(76) Inventors: **Rick Tu Hoang**, 321 S. Moore Ave.,
Monterey Park, CA (US) 91754; **Tony
Vu Lam**, 388 E. Ocean Blvd. #601,
Long Beach, CA (US) 90802; **Brandon
Allen Caicedo**, 5405 Alton Pkwy. Suite
5A-324, Irvine, CA (US) 92504;
Gustavo Caicedo, 5405 Alton Pkwy.
Suite 5A-374, Irvine, CA (US) 92604

* cited by examiner

Primary Examiner—Elizabeth A. Albert
Assistant Examiner—Kelley A. Donnelly

(57) **CLAIM**

The ornamental design for a 360 degree display case, as shown and described.

(**) Term: **14 Years**

DESCRIPTION

(21) Appl. No.: **29/265,730**

This product is used to enclose and display any object that fits inside the physical limitations of the display. The visible assembly consists of; a transparent cover, a rotating display wheel, a base, and a body. The body is the support for the transparent cover, rotating display wheel, and the cover for the base.

(22) Filed: **Sep. 8, 2006**

(51) **LOC (8) Cl.** **06-04**

(52) **U.S. Cl.** **D6/470**

(58) **Field of Classification Search** D6/470,
D6/301, 314, 300; D9/415, 418, 432; D20/10
See application file for complete search history.

FIG. 1) is a perspective view of a 360 degree display case showing the new design

FIG. 2) is a front view thereof.

FIG. 3) is a right view thereof.

FIG. 4) is a back view thereof.

FIG. 5) is a left view thereof; and,

FIG. 6) is a top view thereof.

The bottom is flat and unornamented.

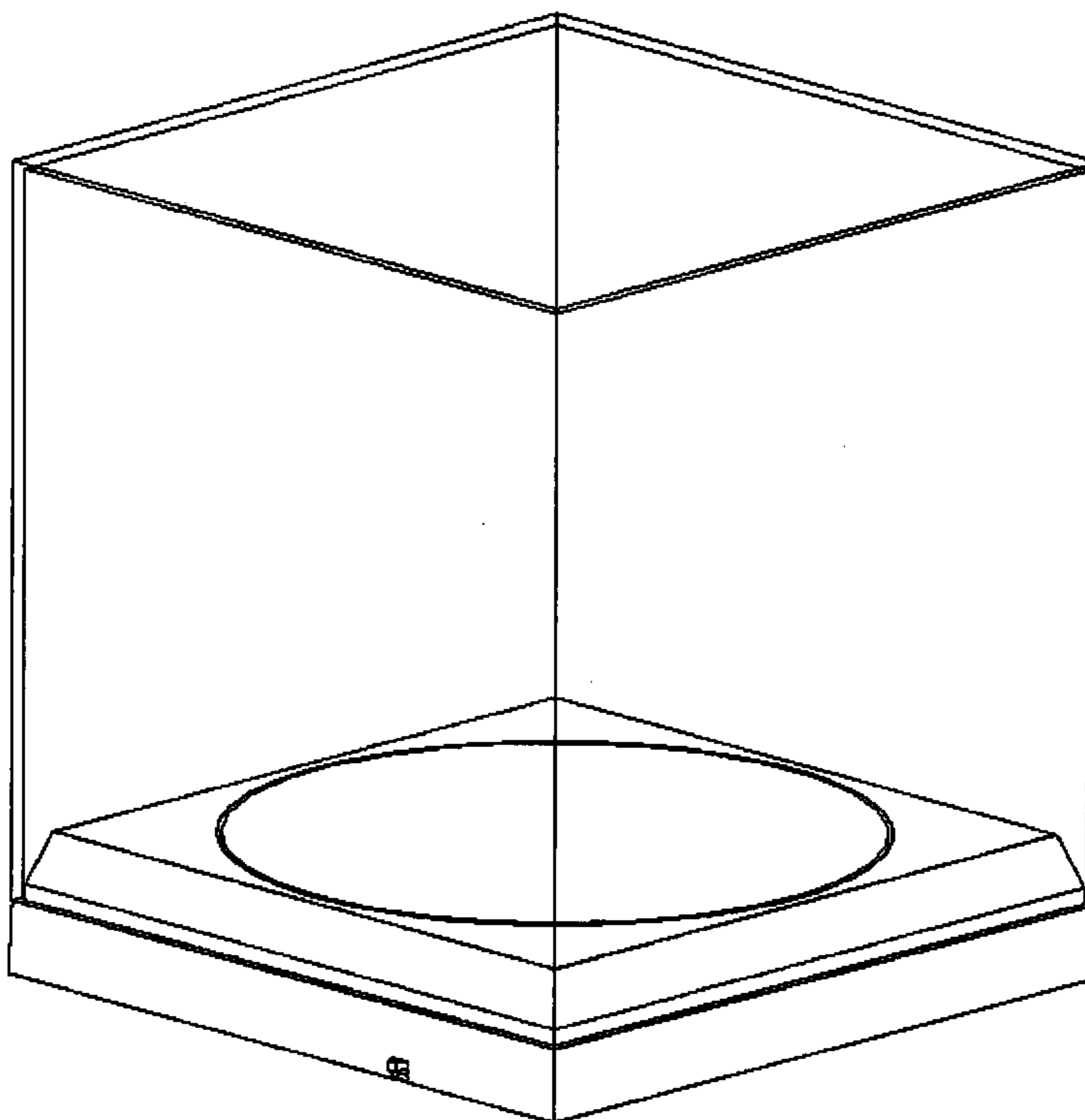
The 360 degree display case has a top and 4 sides that are transparent.

(56) **References Cited**

U.S. PATENT DOCUMENTS

D375,207 S *	11/1996	Pempek	D6/300
D430,981 S *	9/2000	Walls, Jr.	D6/470
D451,684 S *	12/2001	Vincent	D6/301
D455,335 S *	4/2002	Cort	D8/374
D464,885 S *	10/2002	Weinstein et al.	D9/432
D485,453 S *	1/2004	Hansen	D6/470
D487,524 S *	3/2004	Lin	D26/51
D498,502 S *	11/2004	Duke	D20/10

1 Claim, 6 Drawing Sheets



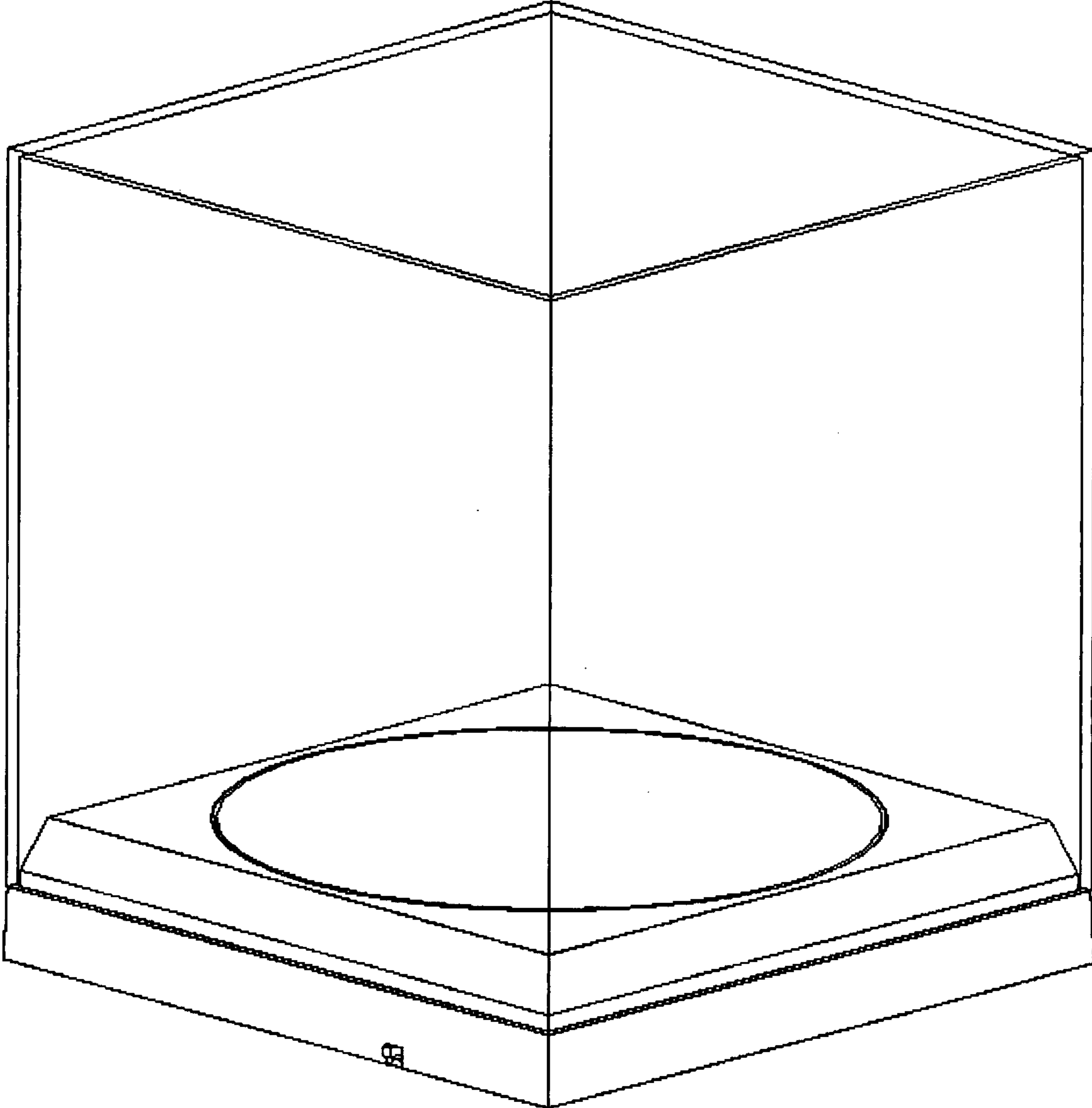


Fig. 1

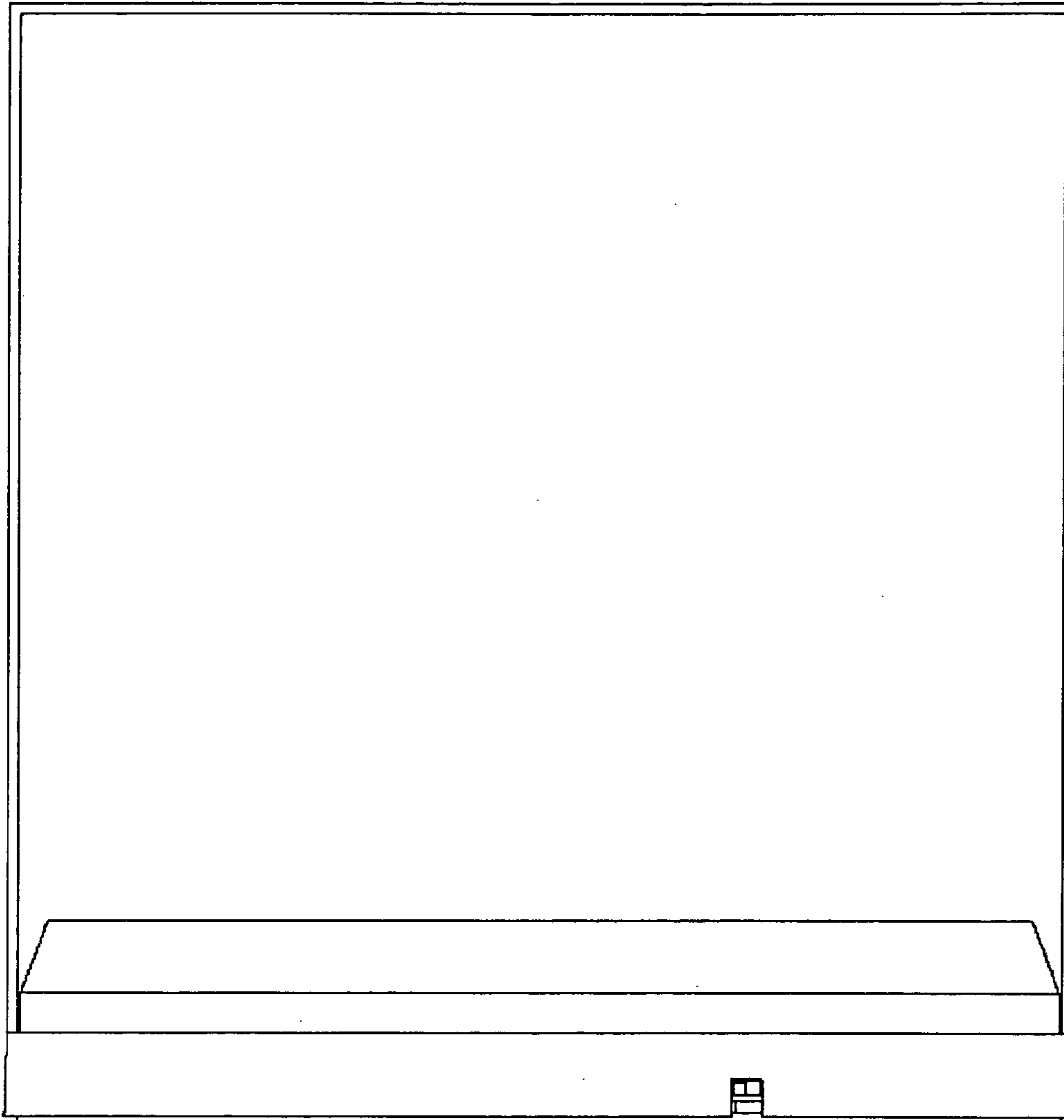


Fig. 2

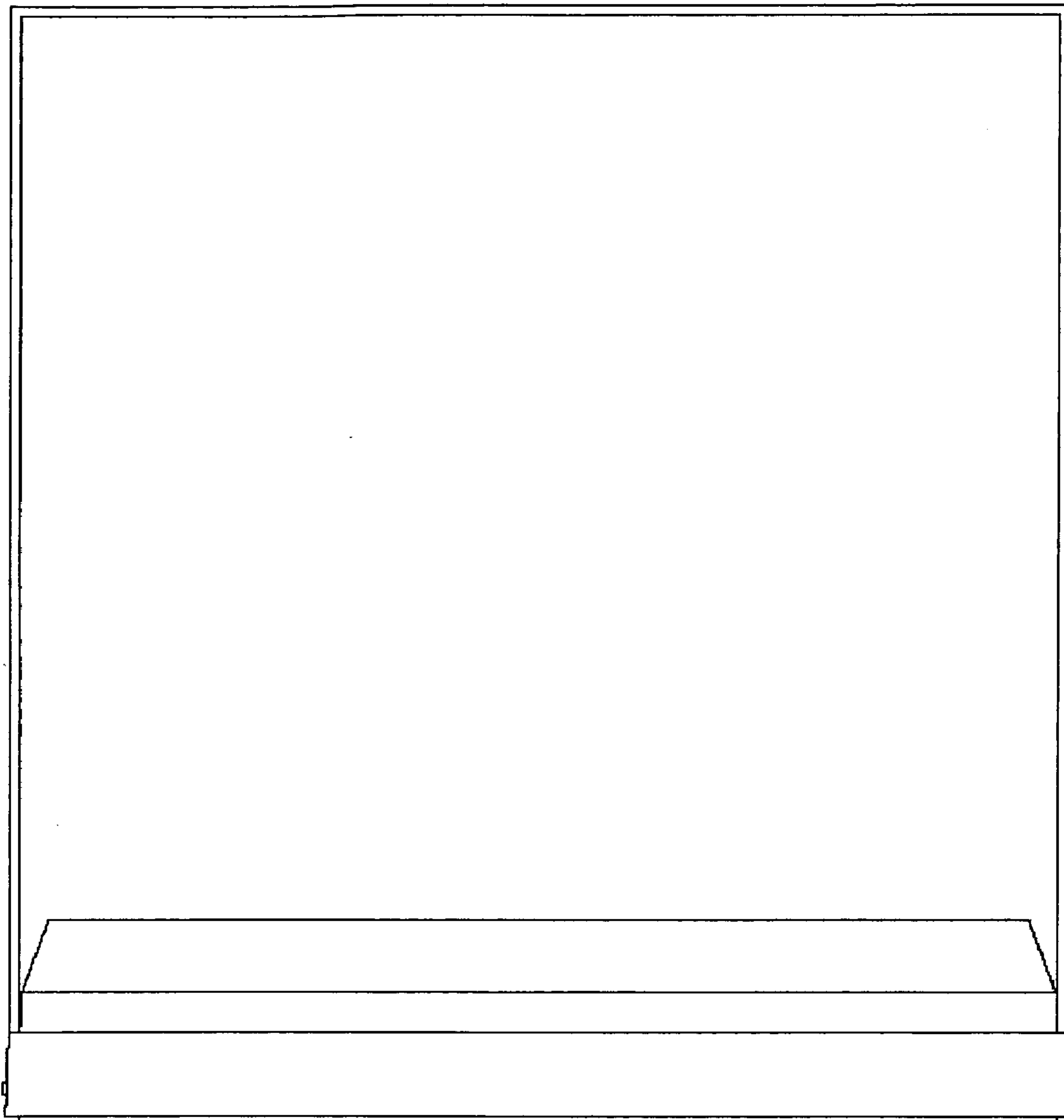


Fig. 3

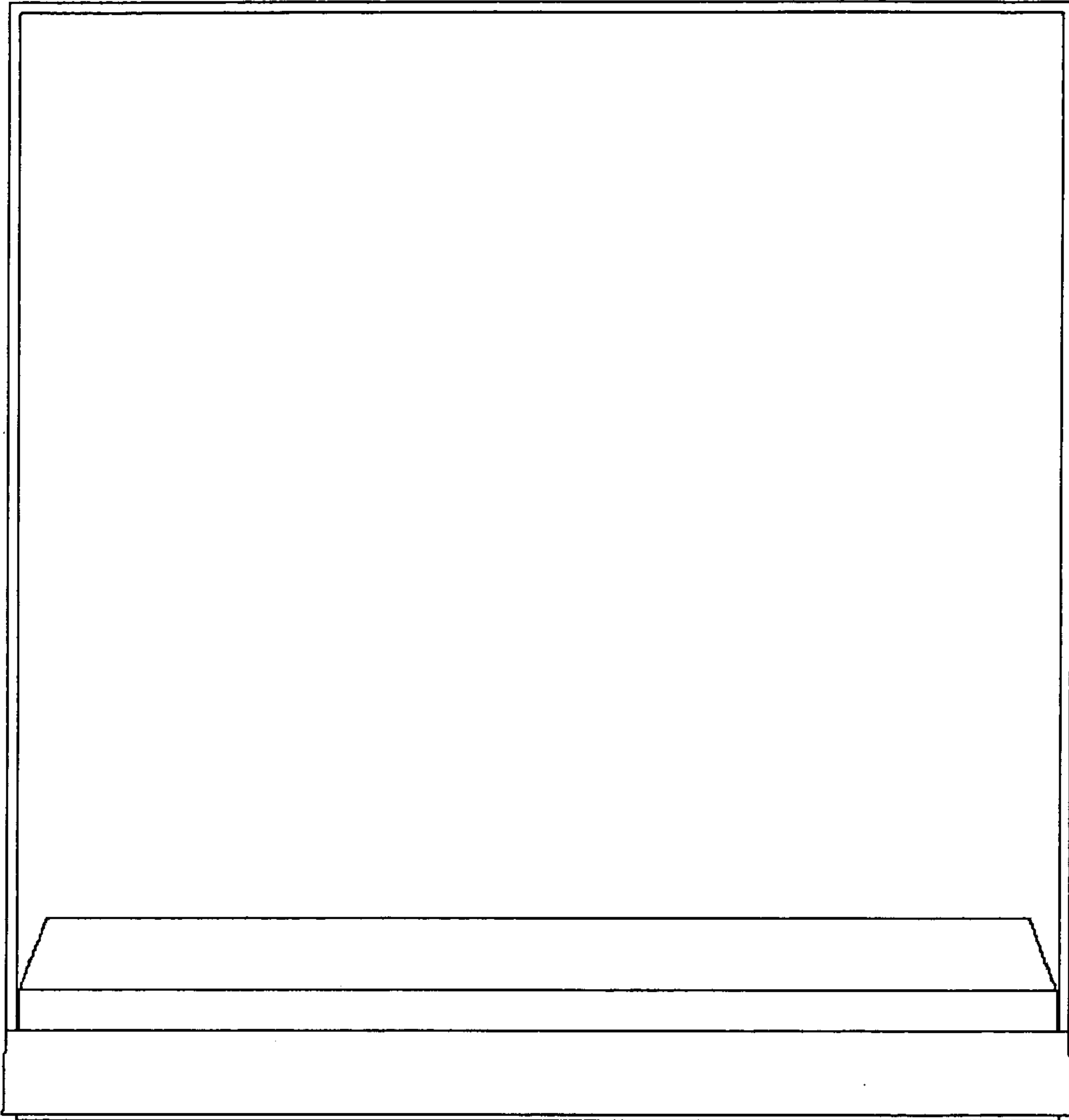


Fig. 4

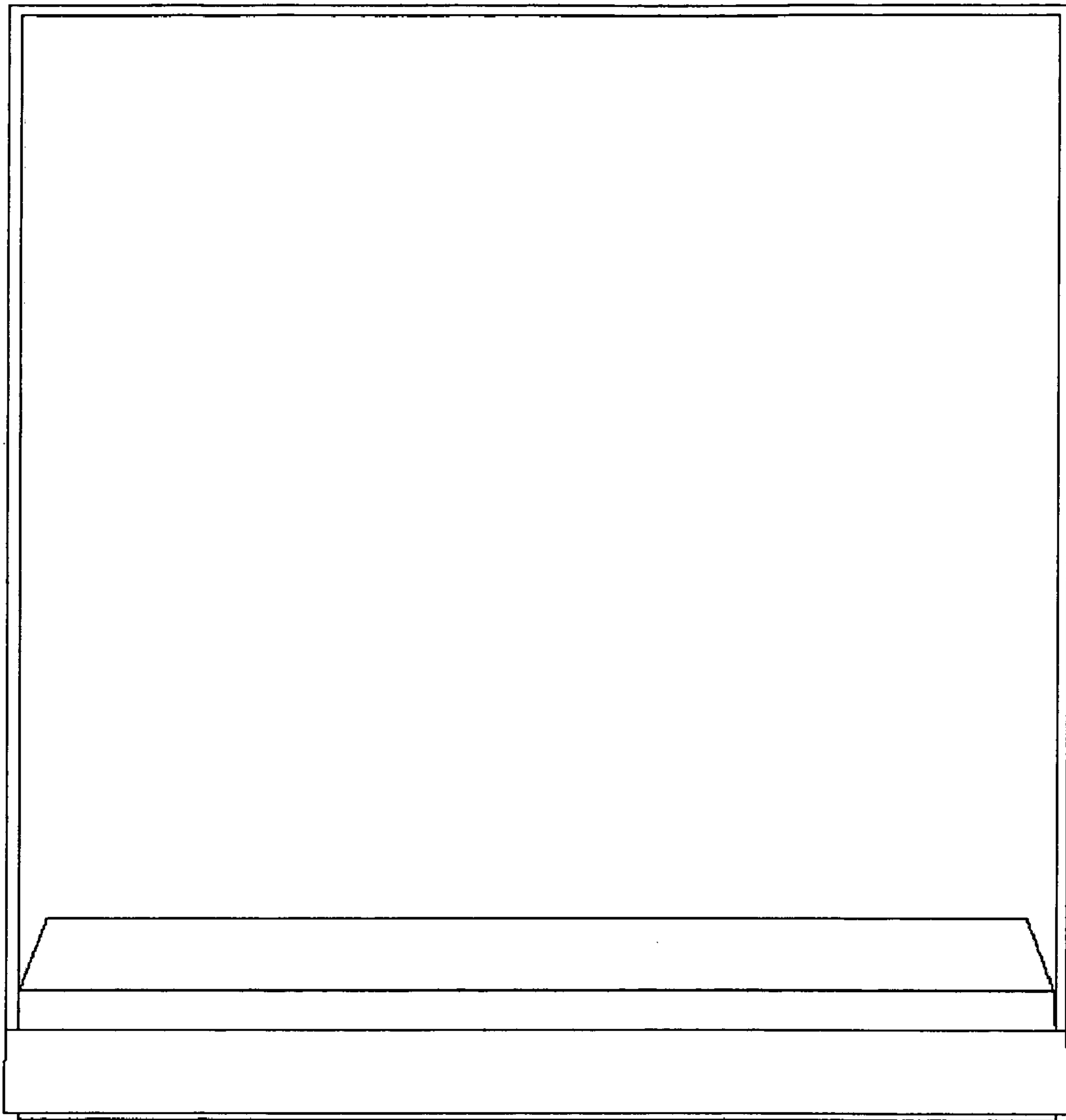


Fig. 5

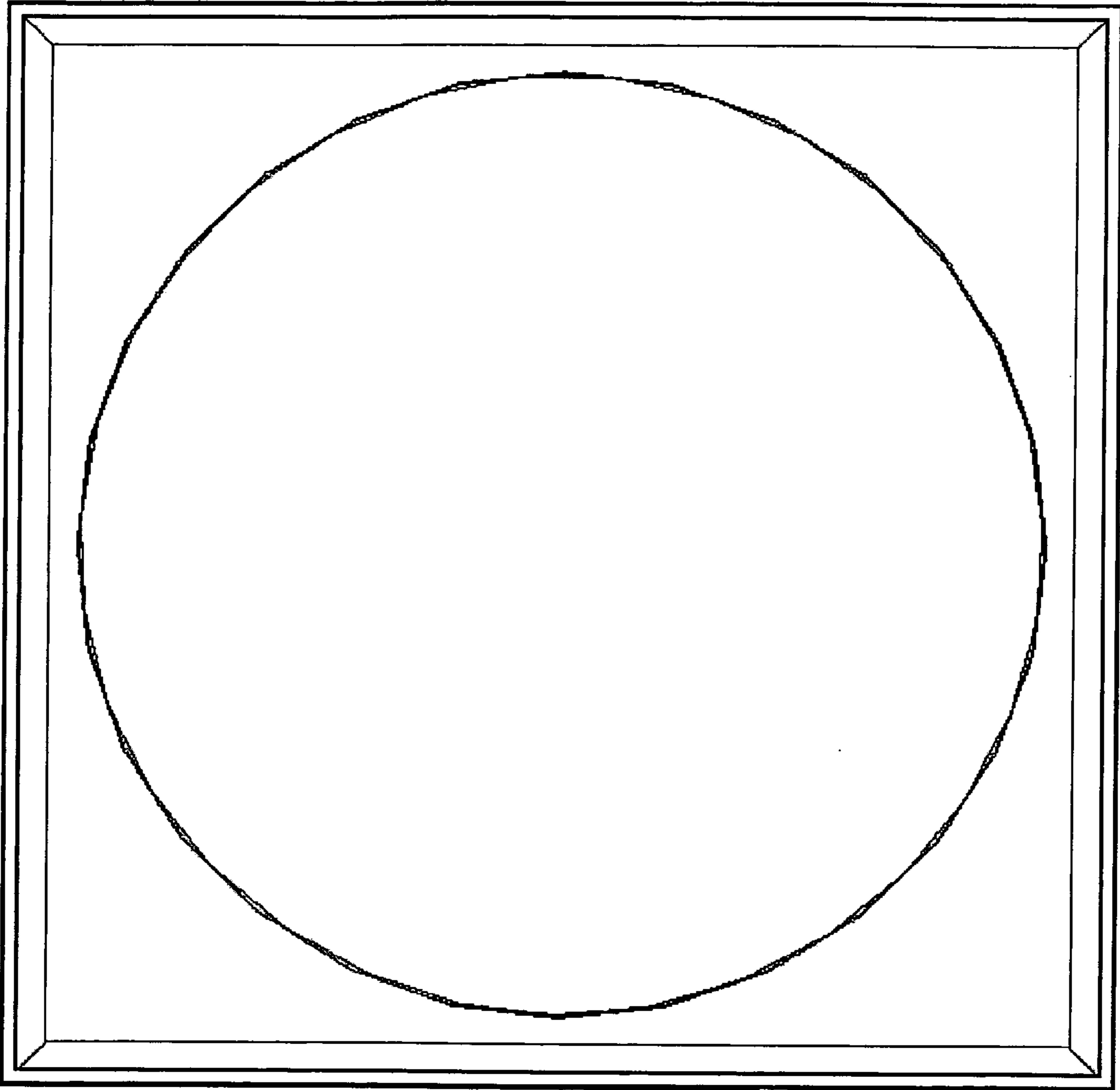


Fig. 6