



US00D558481S

(12) **United States Design Patent**
Dias

(10) **Patent No.:** **US D558,481 S**
(45) **Date of Patent:** **** Jan. 1, 2008**

(54) **DUAL SELF-CHECKOUT STATION**

(75) Inventor: **Edson Danta Dias**, São Paulo-SP (BR)

(73) Assignee: **Itautec Philco S.A.-Grupo Itautec Philco**, Manaus, AM (BR)

(**) Term: **14 Years**

(21) Appl. No.: **29/254,097**

(22) Filed: **Feb. 17, 2006**

(30) **Foreign Application Priority Data**

Aug. 17, 2005 (BR) DI6503277-2

(51) **LOC (8) Cl.** **06-03**

(52) **U.S. Cl.** **D6/402**

(58) **Field of Classification Search** D6/402,
D6/396, 397; 312/140.1; 186/59-68; 235/383,
235/462, 454; D99/28; D18/4.1, 4.4, 4.5,
D18/4.6

See application file for complete search history.

(56) **References Cited**

U.S. PATENT DOCUMENTS

D174,258	S *	3/1955	Hartup	D6/402
D233,496	S *	11/1974	Luttmer et al.	D6/402
4,138,000	A *	2/1979	Hartup	186/61
D289,113	S *	4/1987	Woolf	D6/402
5,177,345	A *	1/1993	Baitz	186/61
5,375,680	A *	12/1994	Ikeda et al.	186/61
5,543,607	A *	8/1996	Watanabe et al.	235/383
5,747,784	A *	5/1998	Walter et al.	235/383
5,967,264	A *	10/1999	Lutz et al.	186/61
5,992,570	A *	11/1999	Walter et al.	186/36
6,032,128	A *	2/2000	Morrison et al.	705/23
6,056,087	A *	5/2000	Addy et al.	186/61
6,112,857	A *	9/2000	Morrison	186/61
6,145,629	A *	11/2000	Addy	186/61
6,167,381	A *	12/2000	Swaine et al.	705/17
6,189,790	B1 *	2/2001	Walter	235/383
6,296,185	B1 *	10/2001	Dejaeger	235/383
6,325,290	B1 *	12/2001	Walter et al.	235/472.01
6,354,498	B1 *	3/2002	Lutz	235/385

6,363,355	B1 *	3/2002	Morrison et al.	705/23
6,382,357	B1 *	5/2002	Morrison et al.	186/61
6,497,362	B2 *	12/2002	Persky et al.	235/383
6,547,040	B2 *	4/2003	Goodwin, III	186/61
6,550,582	B2 *	4/2003	Addy et al.	186/61
6,588,549	B2 *	7/2003	Wike et al.	186/61
6,598,791	B2 *	7/2003	Bellis et al.	235/383
6,837,428	B2 *	1/2005	Lee et al.	235/383
6,892,183	B1 *	5/2005	Cooper et al.	705/16
6,991,066	B2 *	1/2006	Persky	186/59
7,016,862	B1 *	3/2006	Vassigh et al.	705/17
7,036,726	B1 *	5/2006	Edwards	235/383
7,048,184	B2 *	5/2006	Persky	235/383
D536,192	S *	2/2007	Kruse et al.	D6/402
2002/0079168	A1 *	6/2002	Addy et al.	186/61
2002/0139617	A1 *	10/2002	Goodwin, III	186/61
2003/0006098	A1 *	1/2003	Wike et al.	186/61
2005/0003176	A1 *	1/2005	Katoh et al.	428/292.1

* cited by examiner

Primary Examiner—Janice E. Seeger

Assistant Examiner—Sydney R. Buffalow

(74) *Attorney, Agent, or Firm*—Birch, Stewart, Kolasch & Birch LLP

(57) **CLAIM**

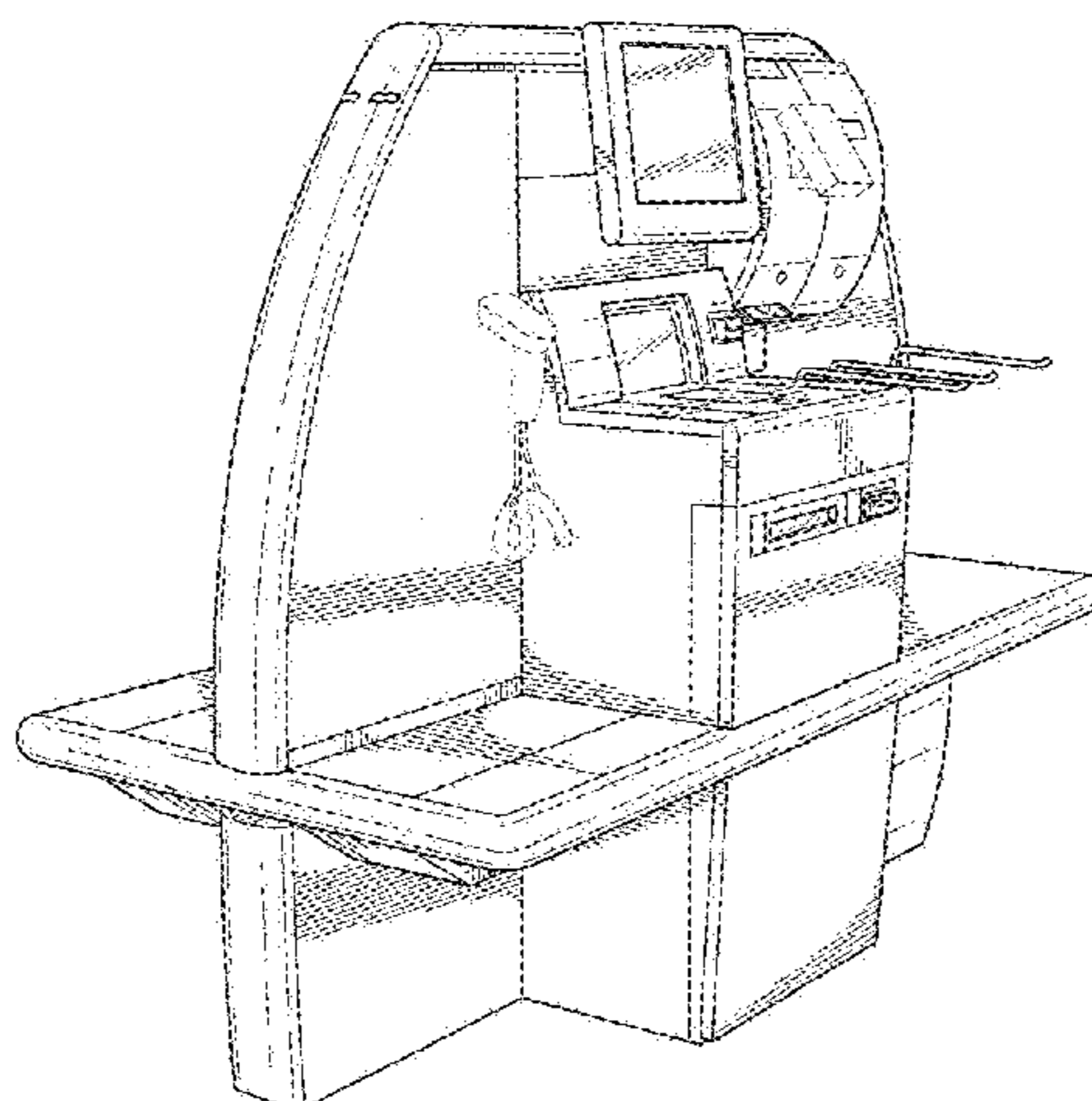
The ornamental design for a dual self checkout station, as shown and described.

DESCRIPTION

FIG. 1 is a perspective view of the dual self checkout station; FIG. 2 is a right side view of the dual self checkout station; FIG. 3 is a left side view of the dual self checkout station; FIG. 4 is a front end view of the dual self checkout station; FIG. 5 is a rear end view of the dual self checkout station; FIG. 6 is a top view of the dual self checkout station; and, FIG. 7 is a bottom view of the dual self checkout station.

The broken lines are for the illustrative purposes only and form no part of the claimed design.

1 Claim, 7 Drawing Sheets



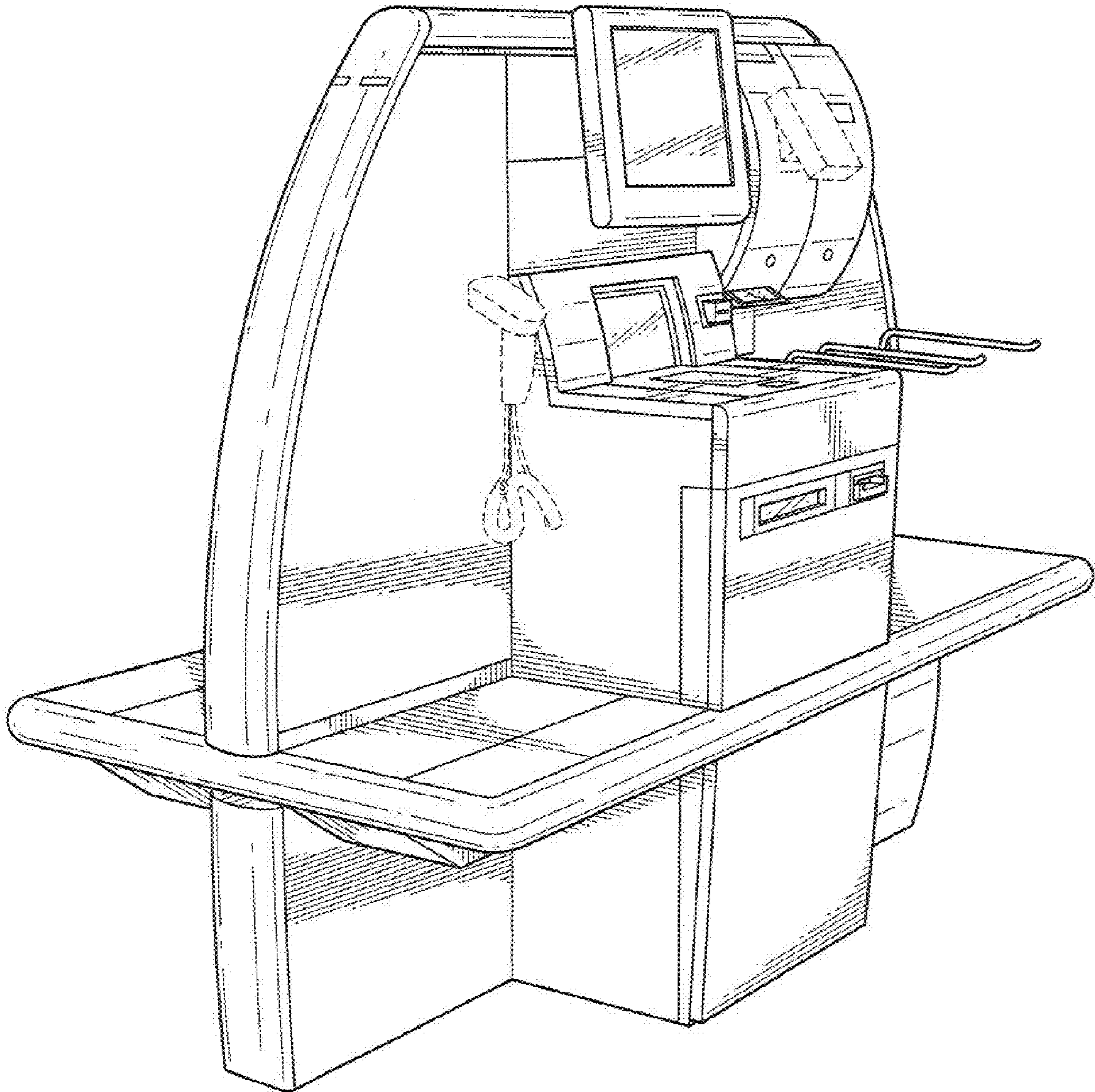


FIG. 1

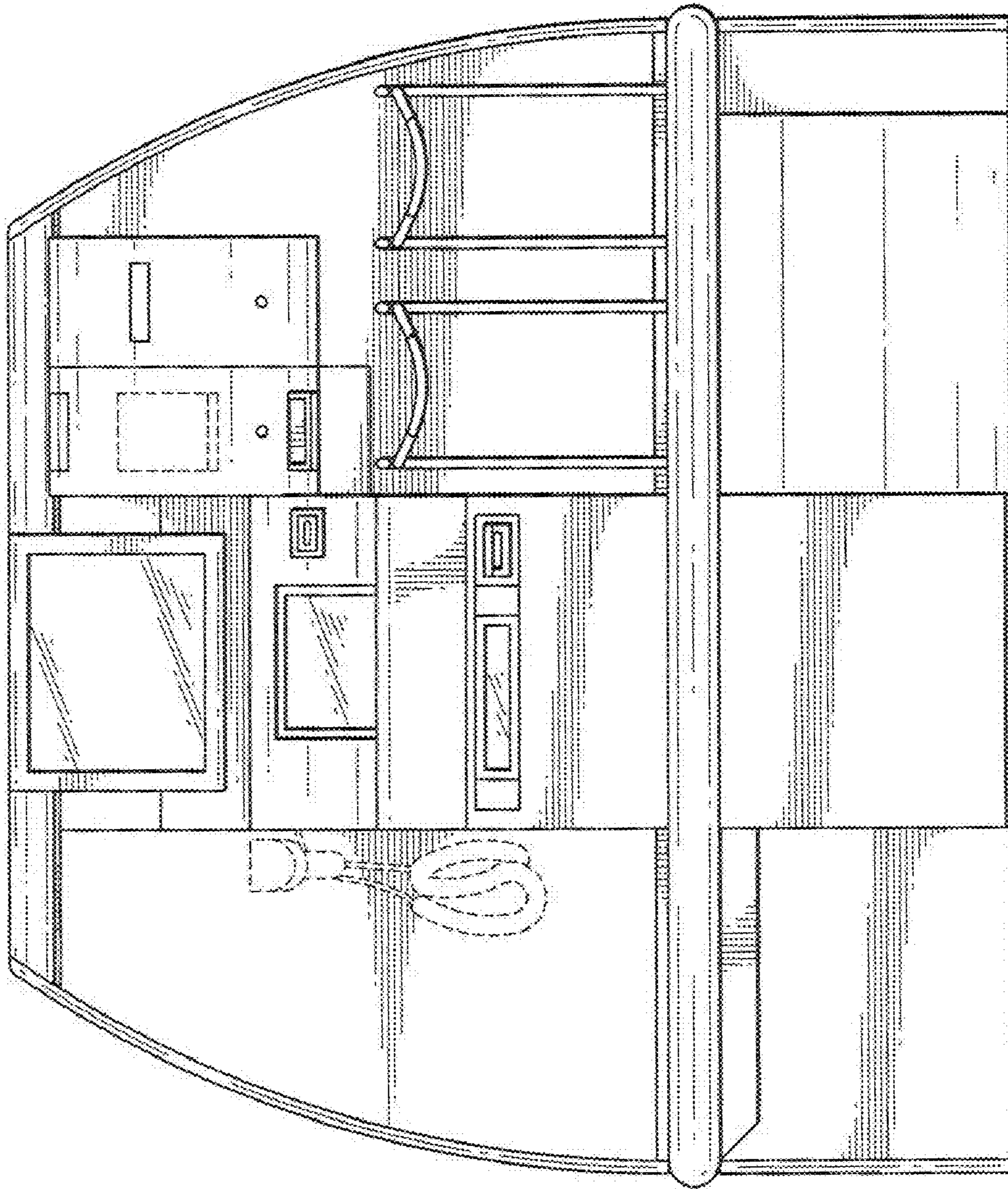


FIG. 2

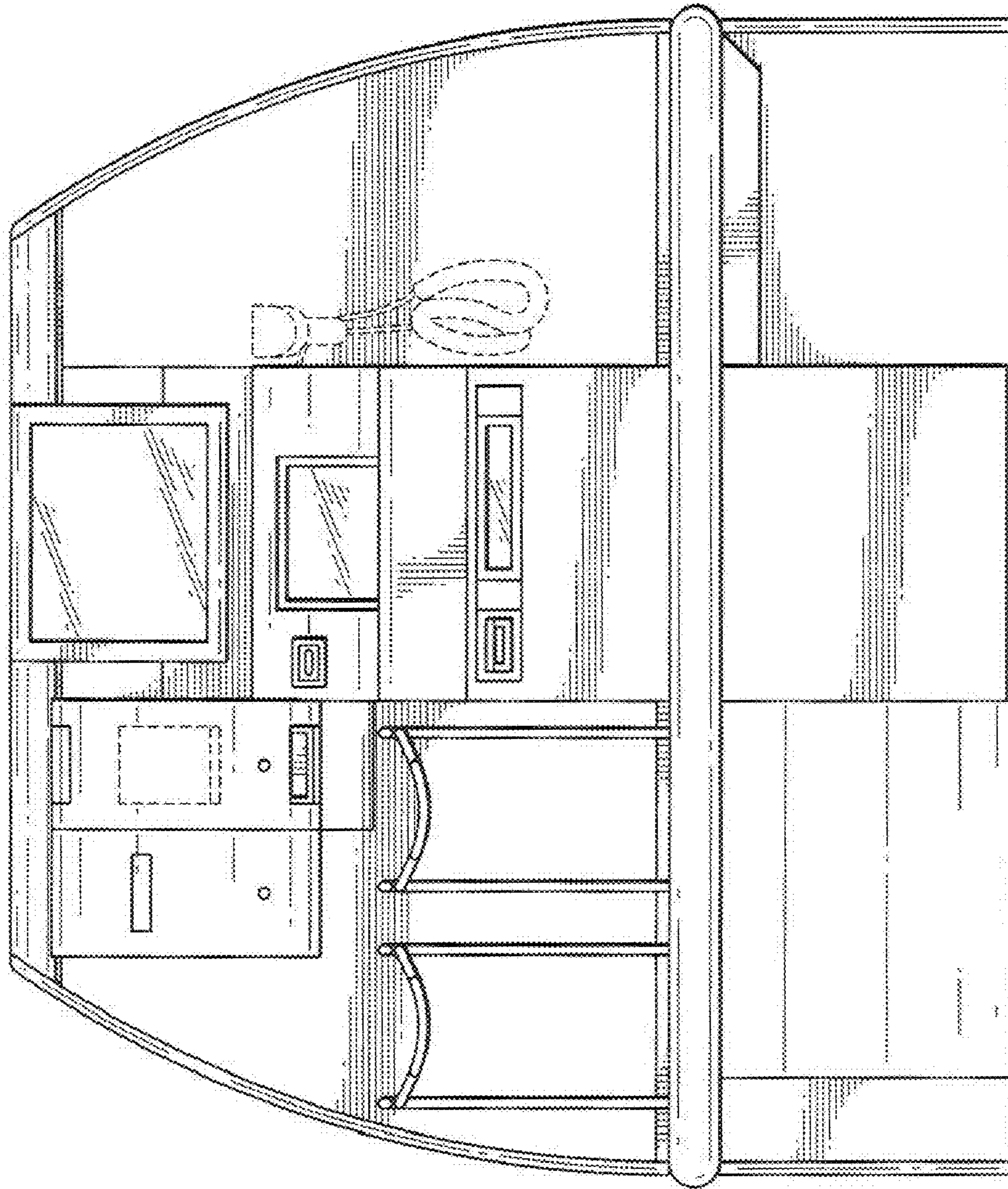


FIG. 3

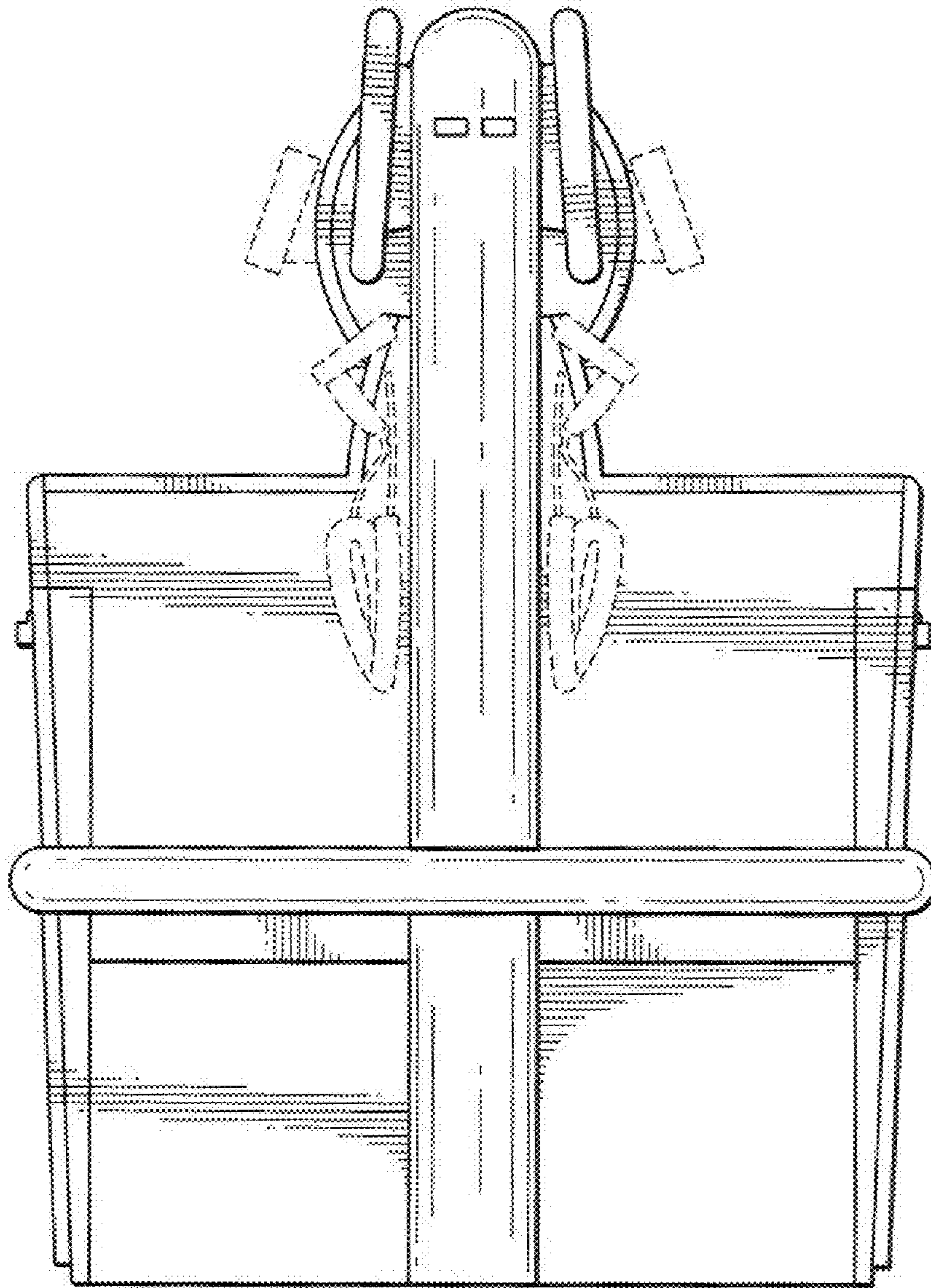


FIG. 4

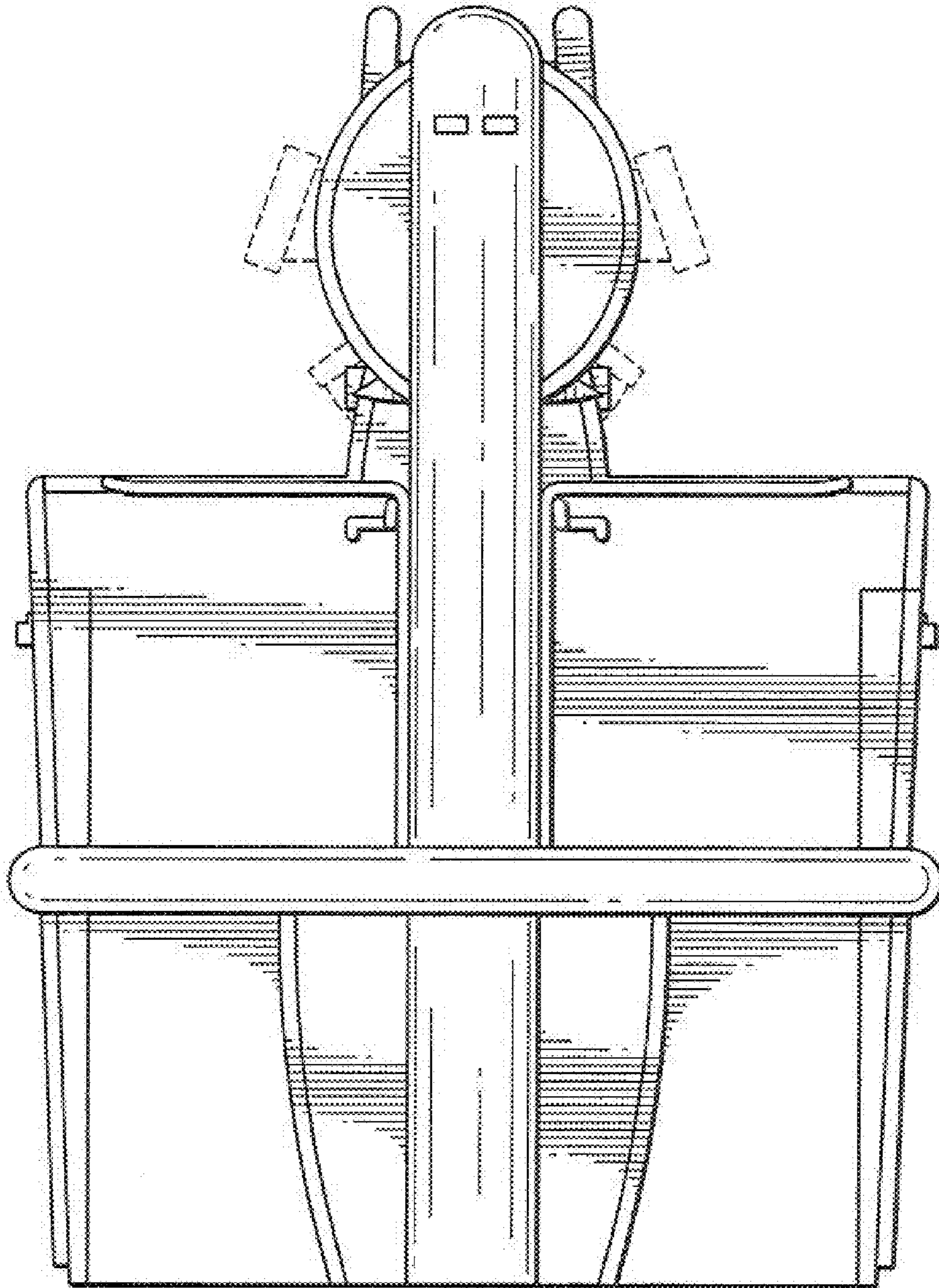


FIG. 5

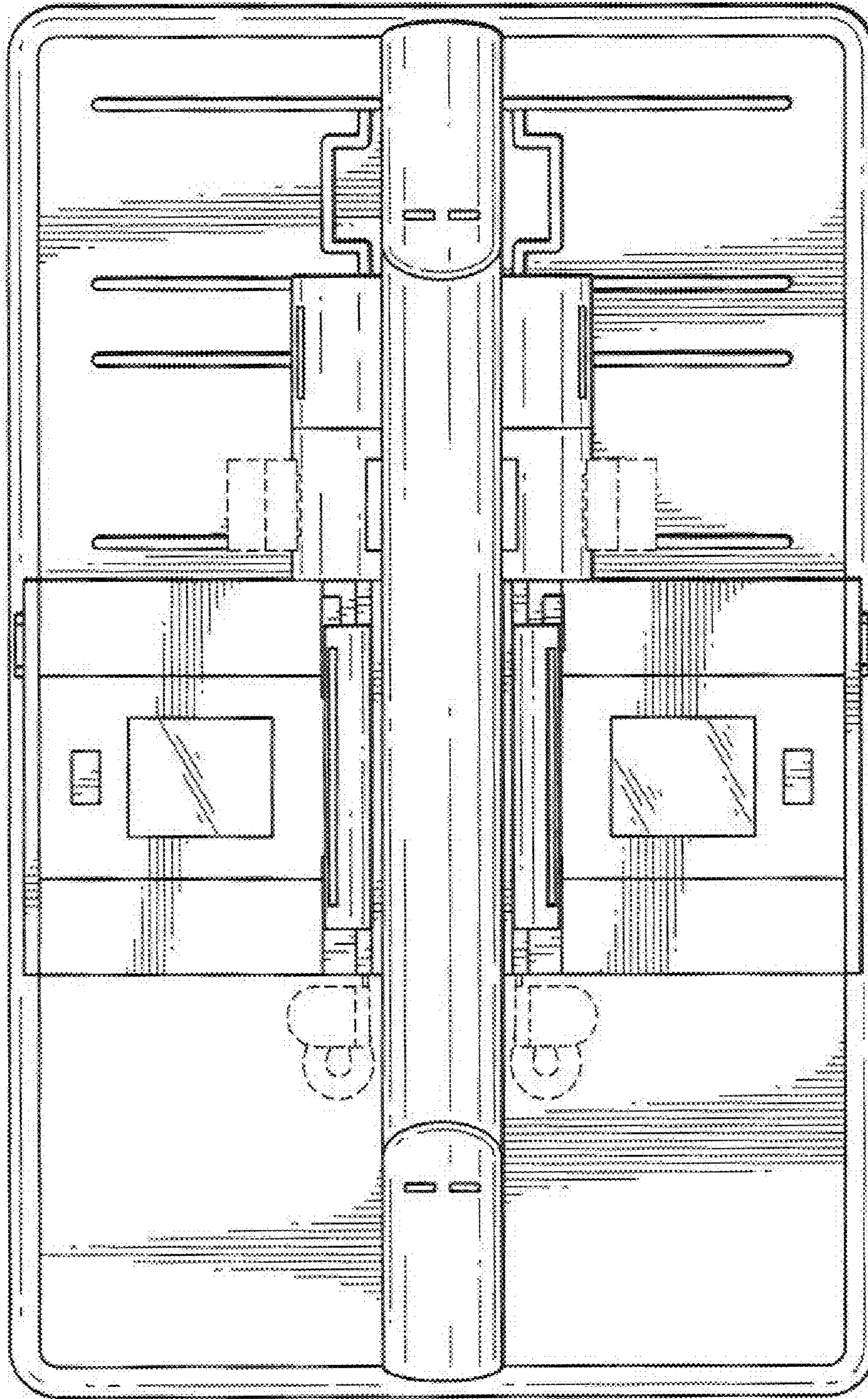


FIG.6

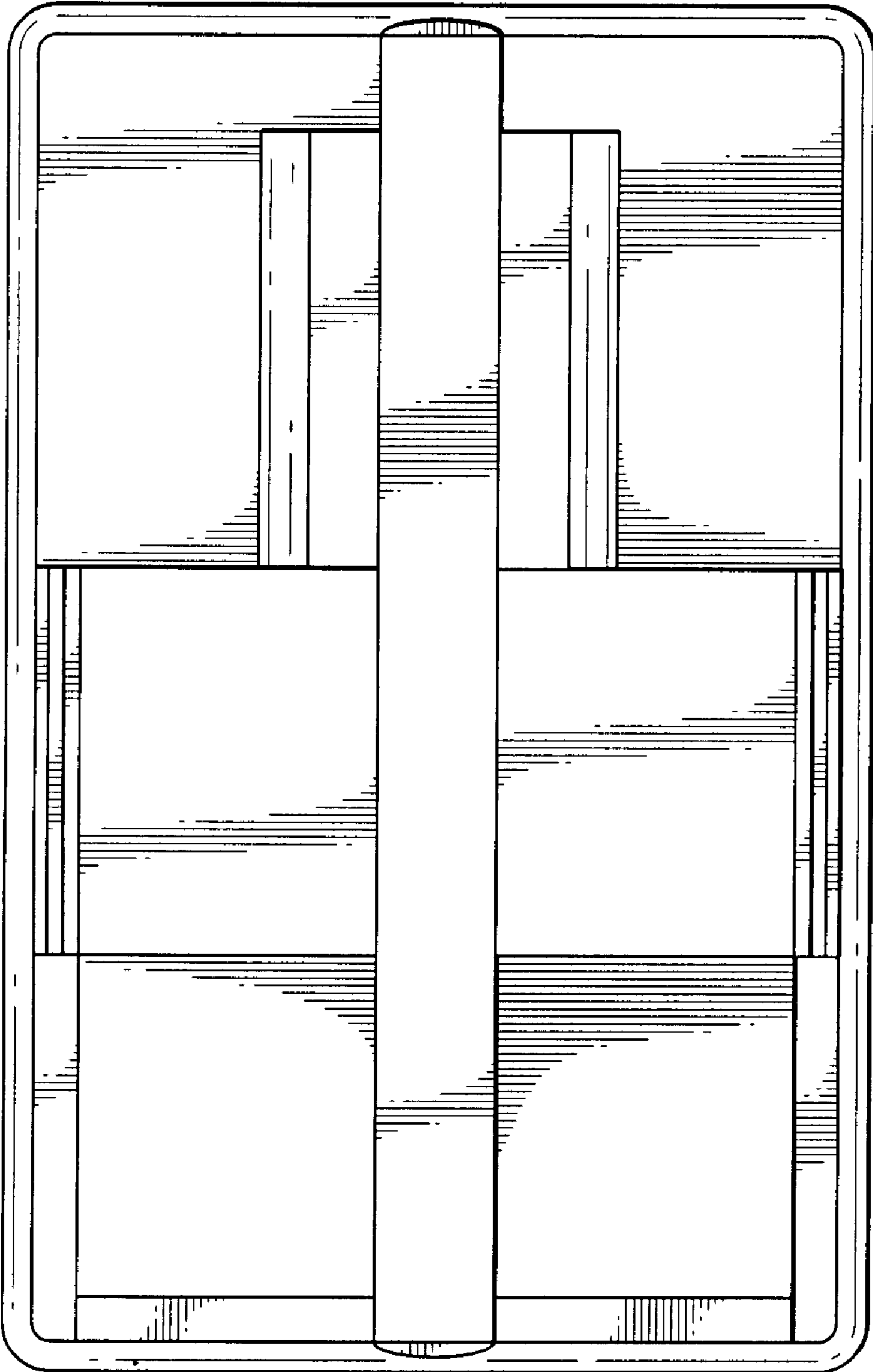


FIG. 7