



US00D558480S

(12) **United States Design Patent**
Olano Jauregui

(10) **Patent No.:** **US D558,480 S**

(45) **Date of Patent:** **** Jan. 1, 2008**

(54) **CHAIR**

(75) Inventor: **Juan Carlos Olano Jauregui**,
Legorreta (ES)

(73) Assignee: **Eredu, S. Coop.**, Legorreta (ES)

(**) Term: **14 Years**

(21) Appl. No.: **29/278,019**

(22) Filed: **Mar. 16, 2007**

(51) **LOC (8) Cl.** **06-01**

(52) **U.S. Cl.** **D6/379; D6/380**

(58) **Field of Classification Search** D6/334-336,
D6/360, 371-373, 374, 375, 376, 379, 380,
D6/500-502; 297/239, 445.1, 446.1
See application file for complete search history.

(56) **References Cited**

U.S. PATENT DOCUMENTS

2,709,485 A * 5/1955 Haven 297/446.1
D426,970 S * 6/2000 Kolberg D6/374
D436,751 S * 1/2001 Schacht D6/379

D517,824 S * 3/2006 Pensi D6/379
D544,234 S * 6/2007 Olano D6/379
D546,089 S * 7/2007 Ebenestelli D6/379

* cited by examiner

Primary Examiner—Mimosa De

(74) *Attorney, Agent, or Firm*—Lucas & Mercanti, LLP

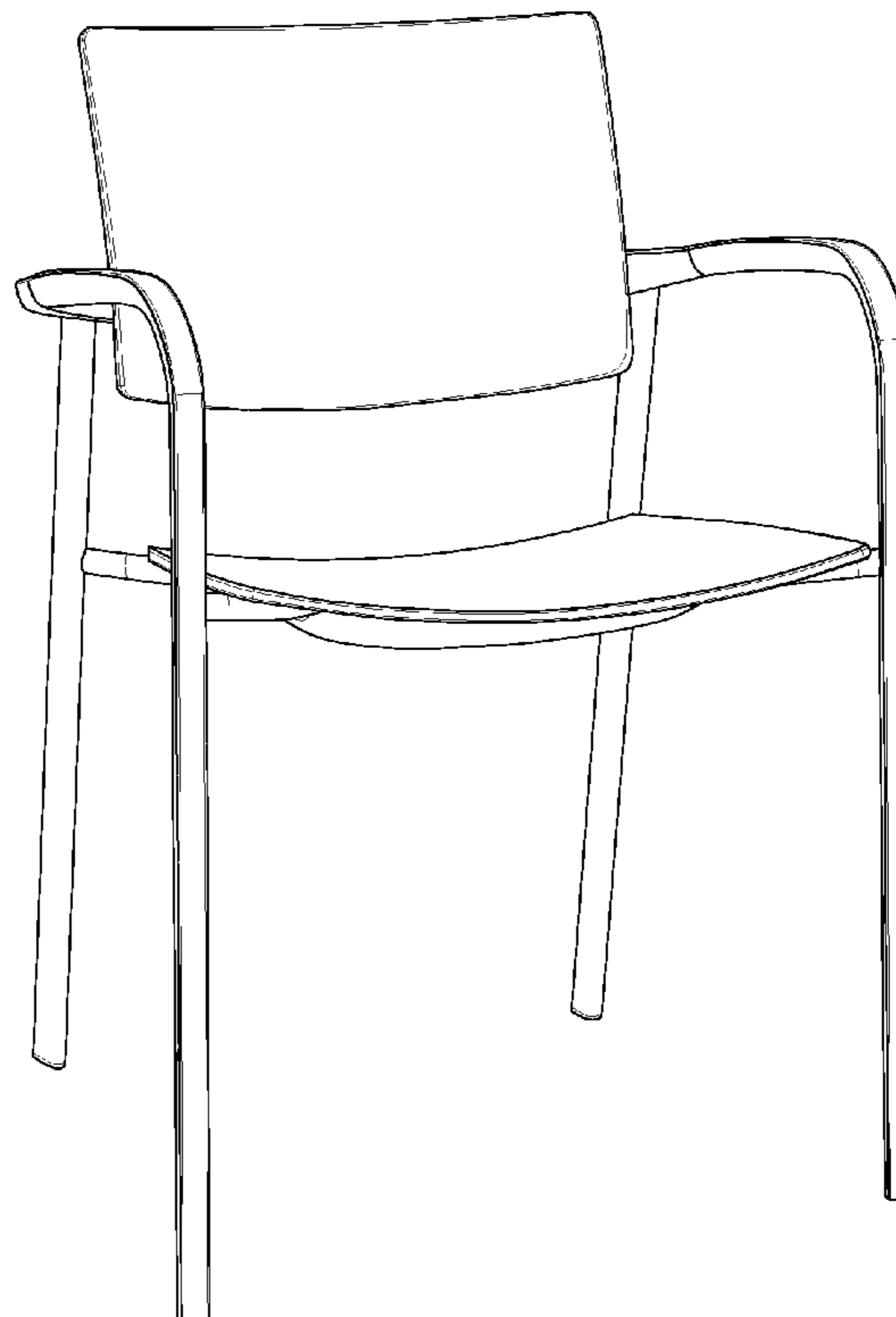
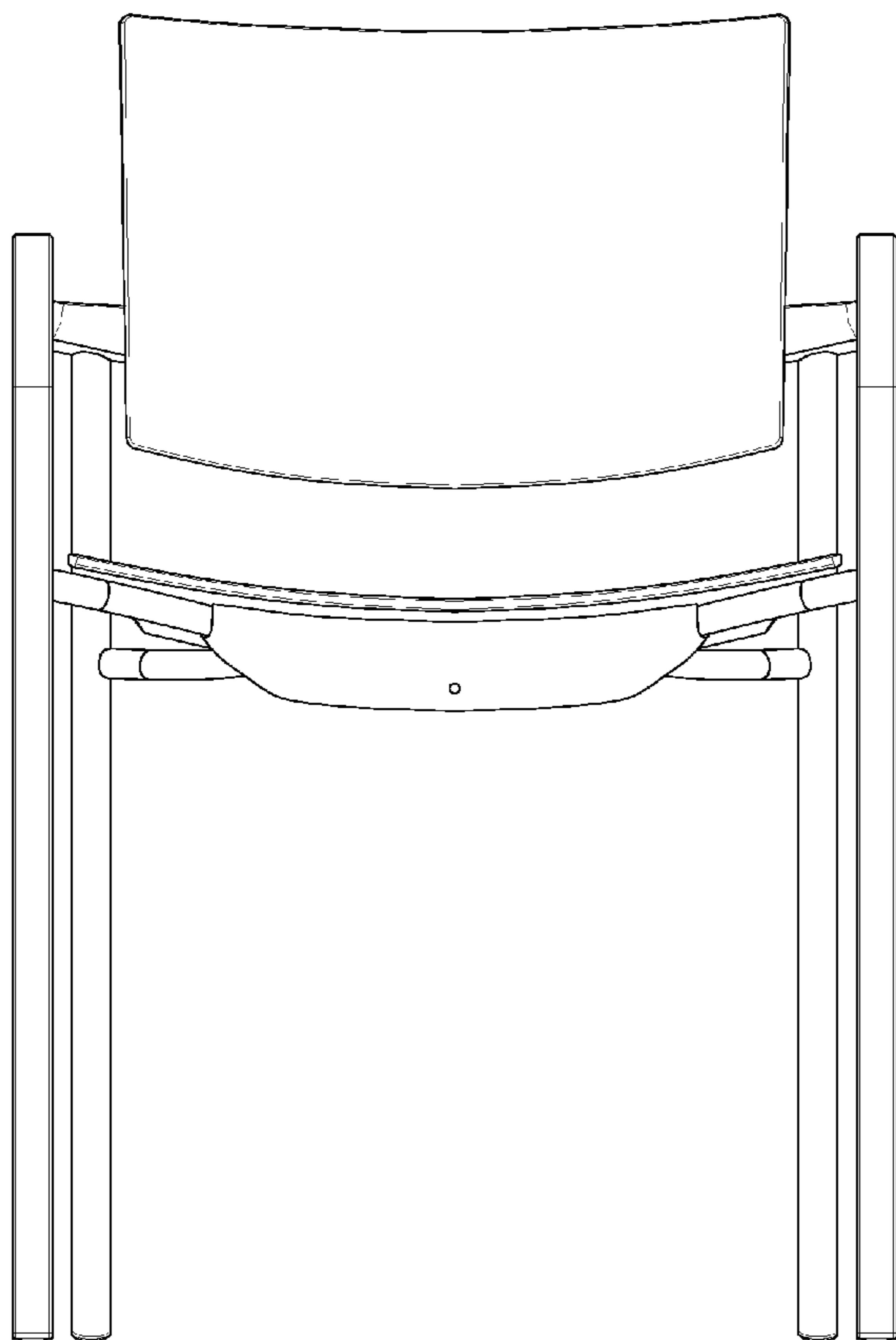
(57) **CLAIM**

The ornamental design for a chair, substantially as shown and described.

DESCRIPTION

FIG. 1 is a front view of my chair design;
FIG. 2 is a right-side view of my chair design;
FIG. 3 is a top view of my chair design;
FIG. 4 is a left-side view of my chair design;
FIG. 5 is a back view of my chair design;
FIG. 6 is a bottom view of my chair design; and,
FIG. 7 is a perspective view of my chair design.

1 Claim, 7 Drawing Sheets



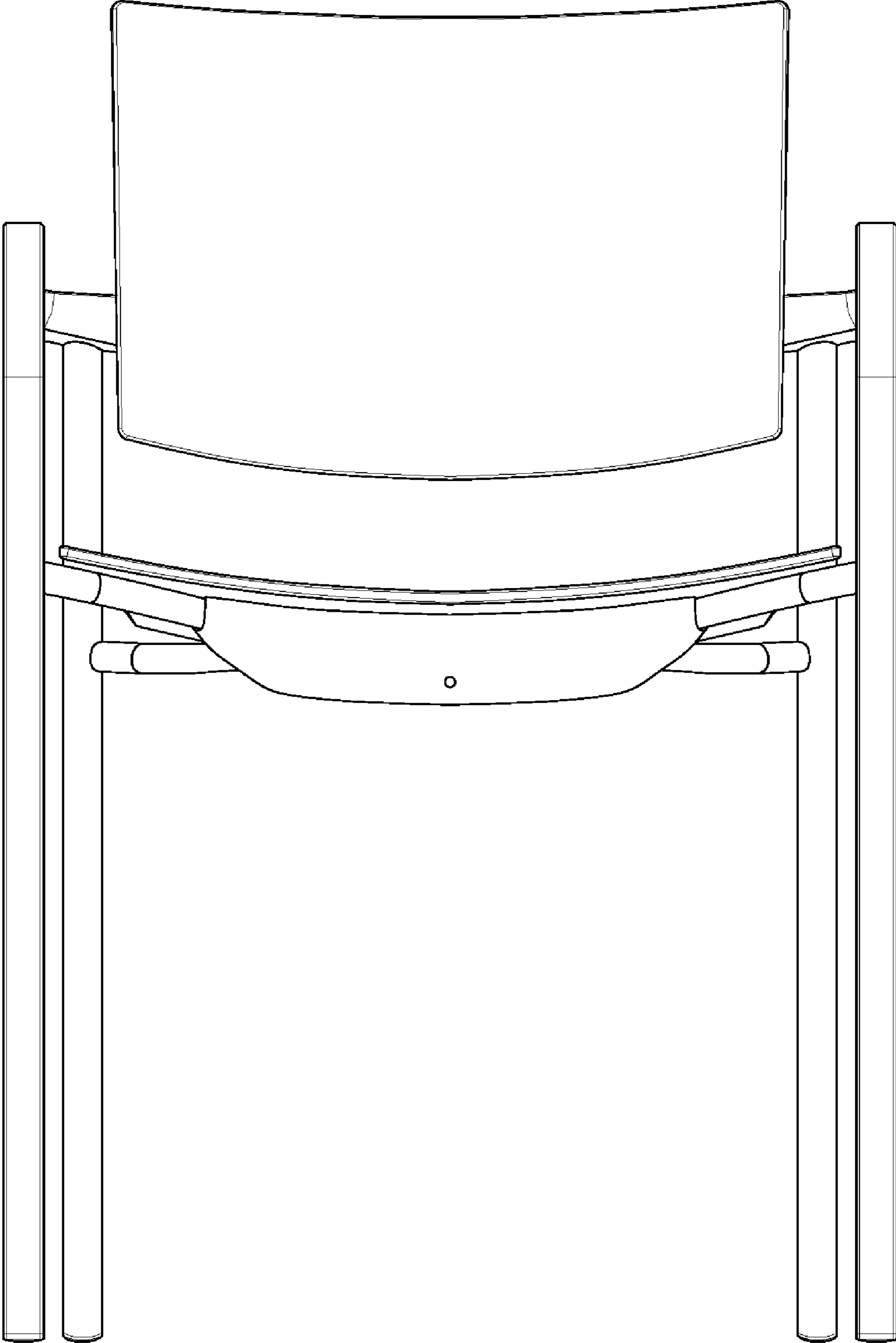


FIG. 1

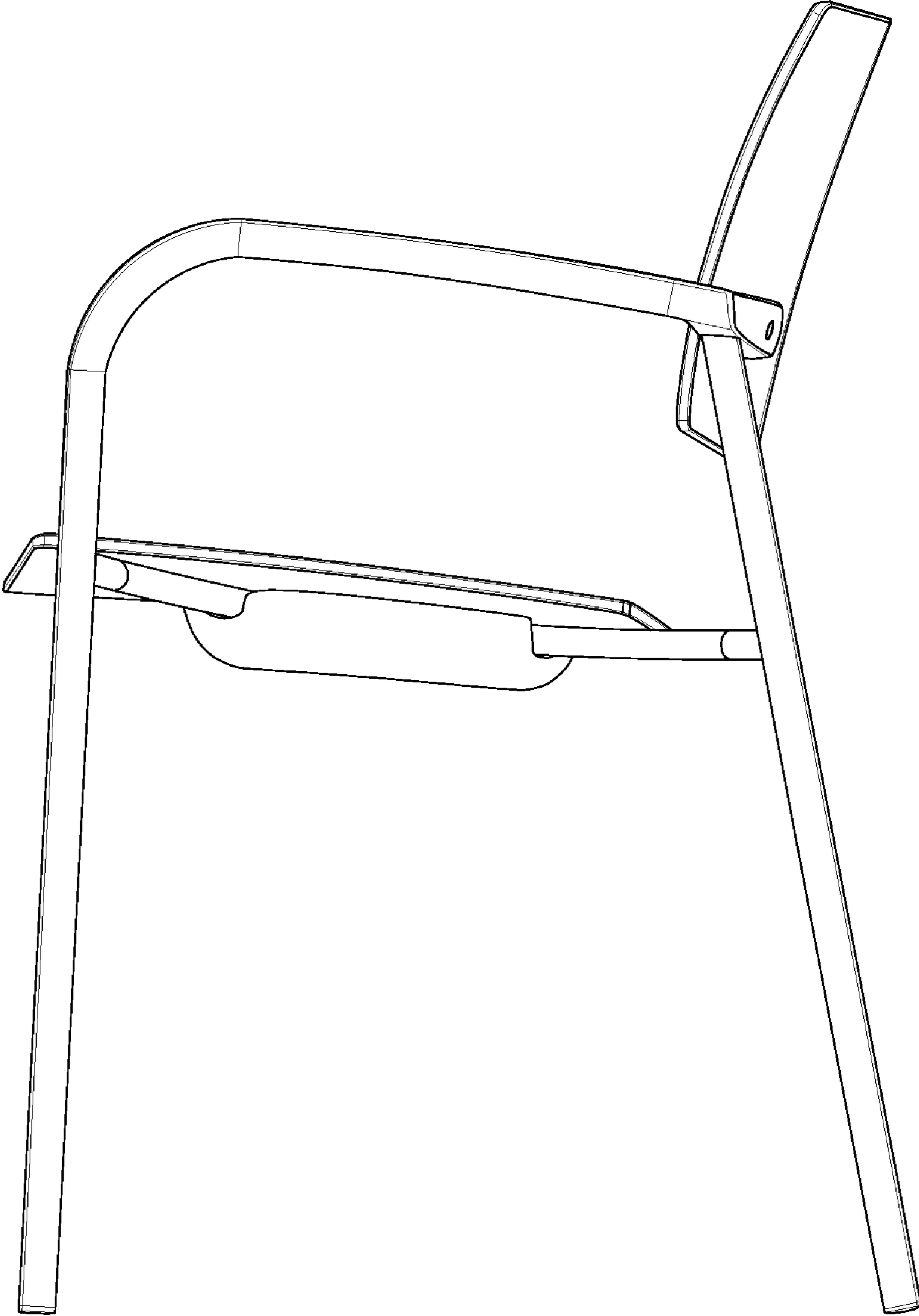


FIG. 2

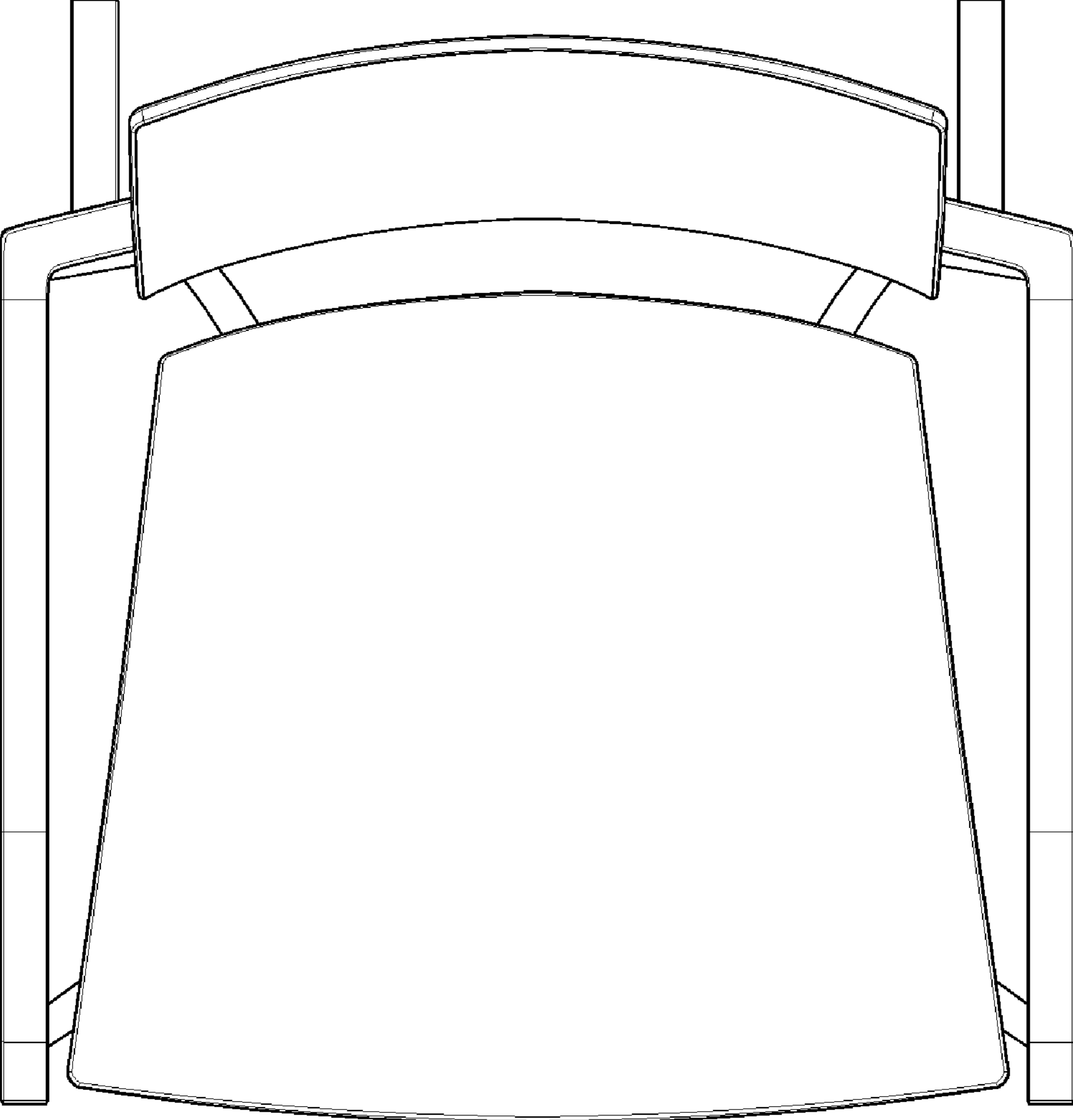


FIG. 3

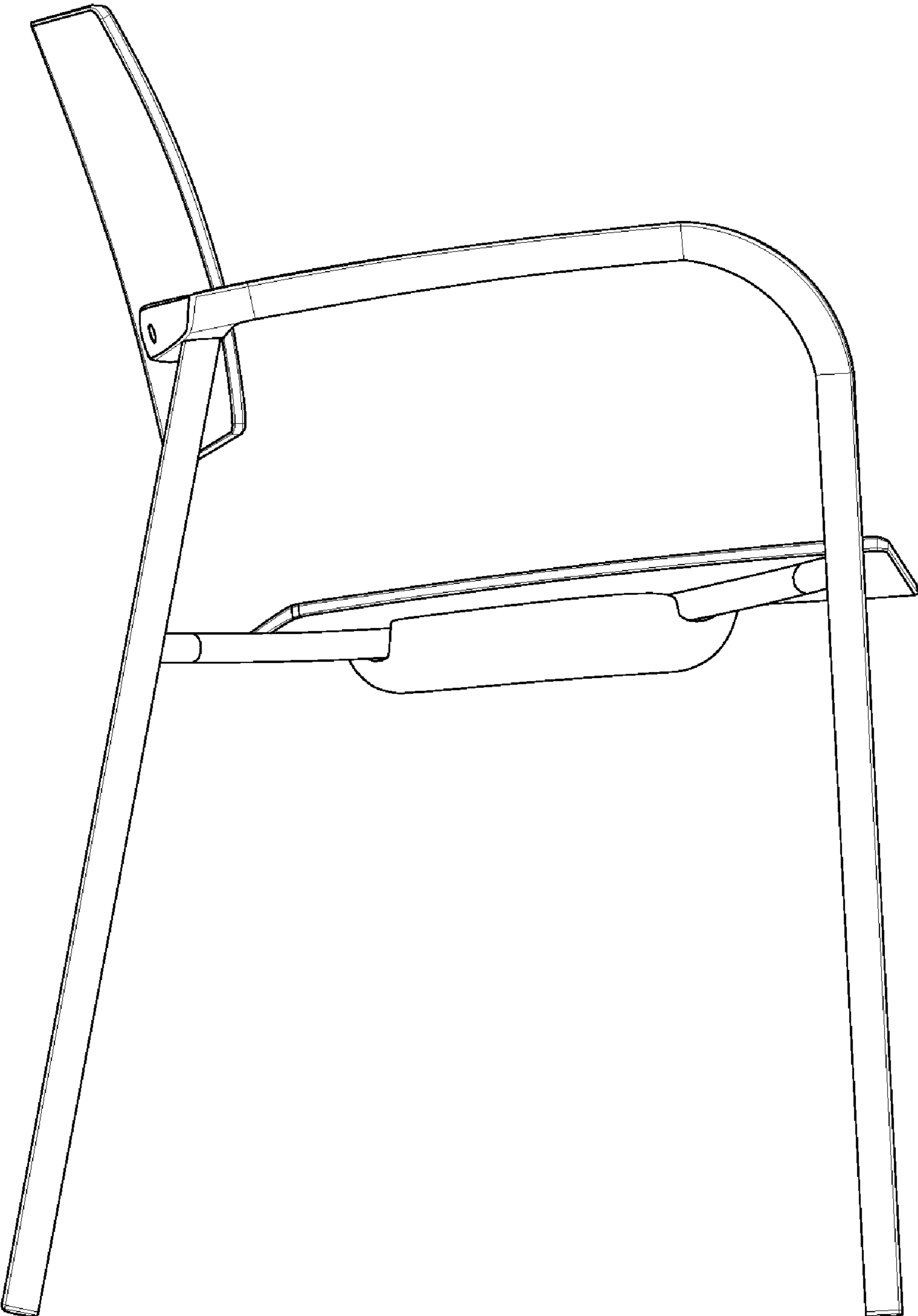


FIG. 4

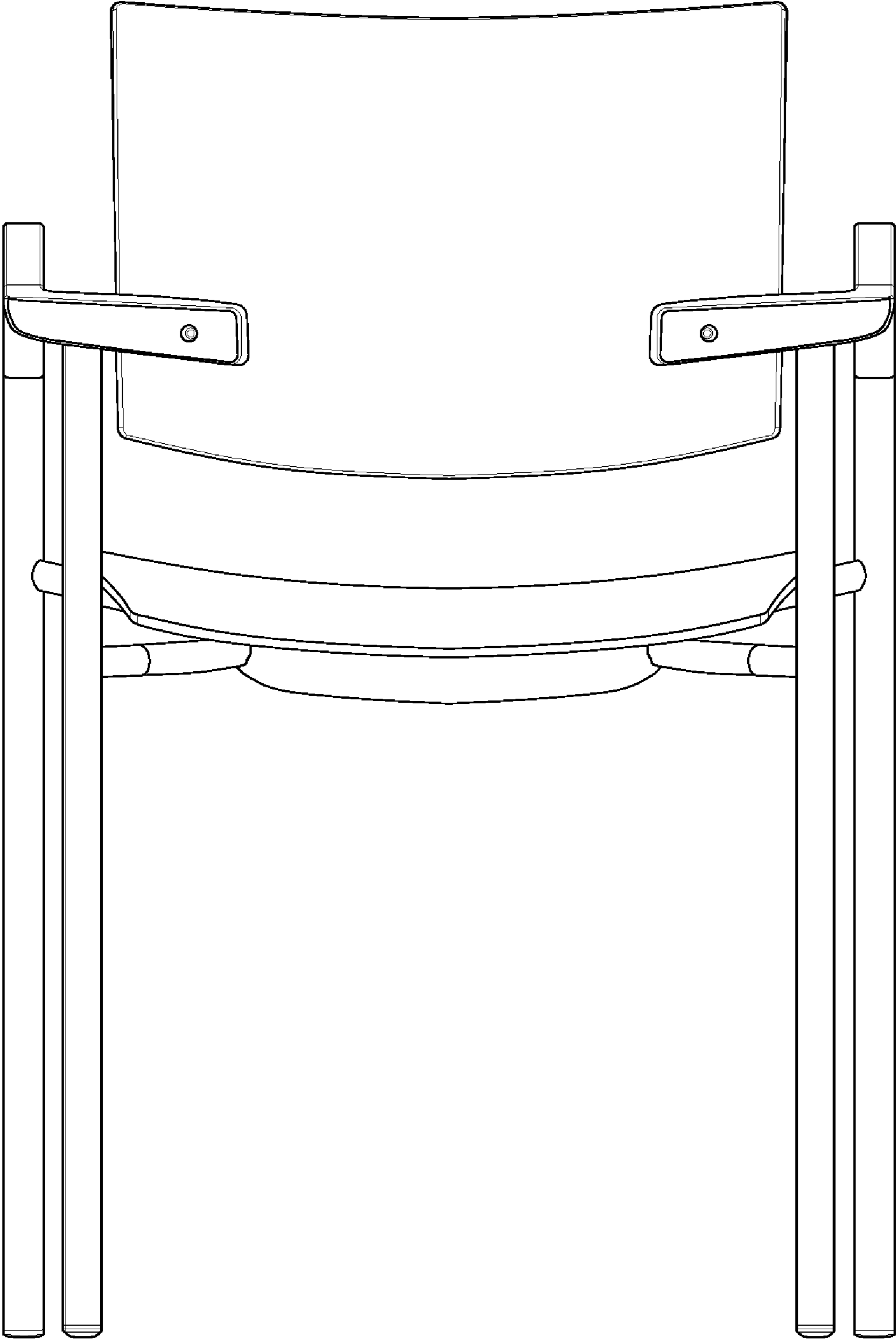


FIG. 5

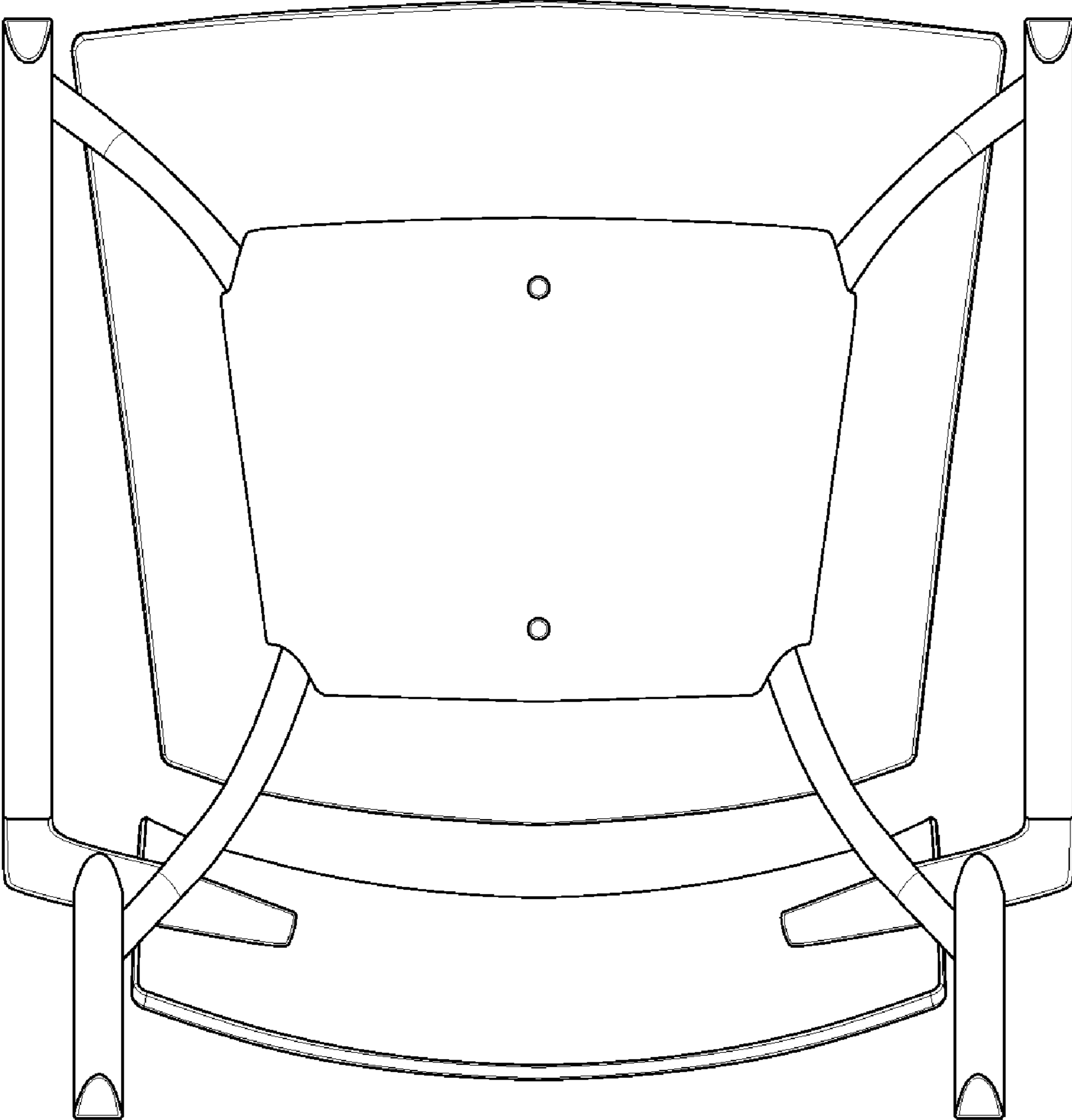


FIG. 6

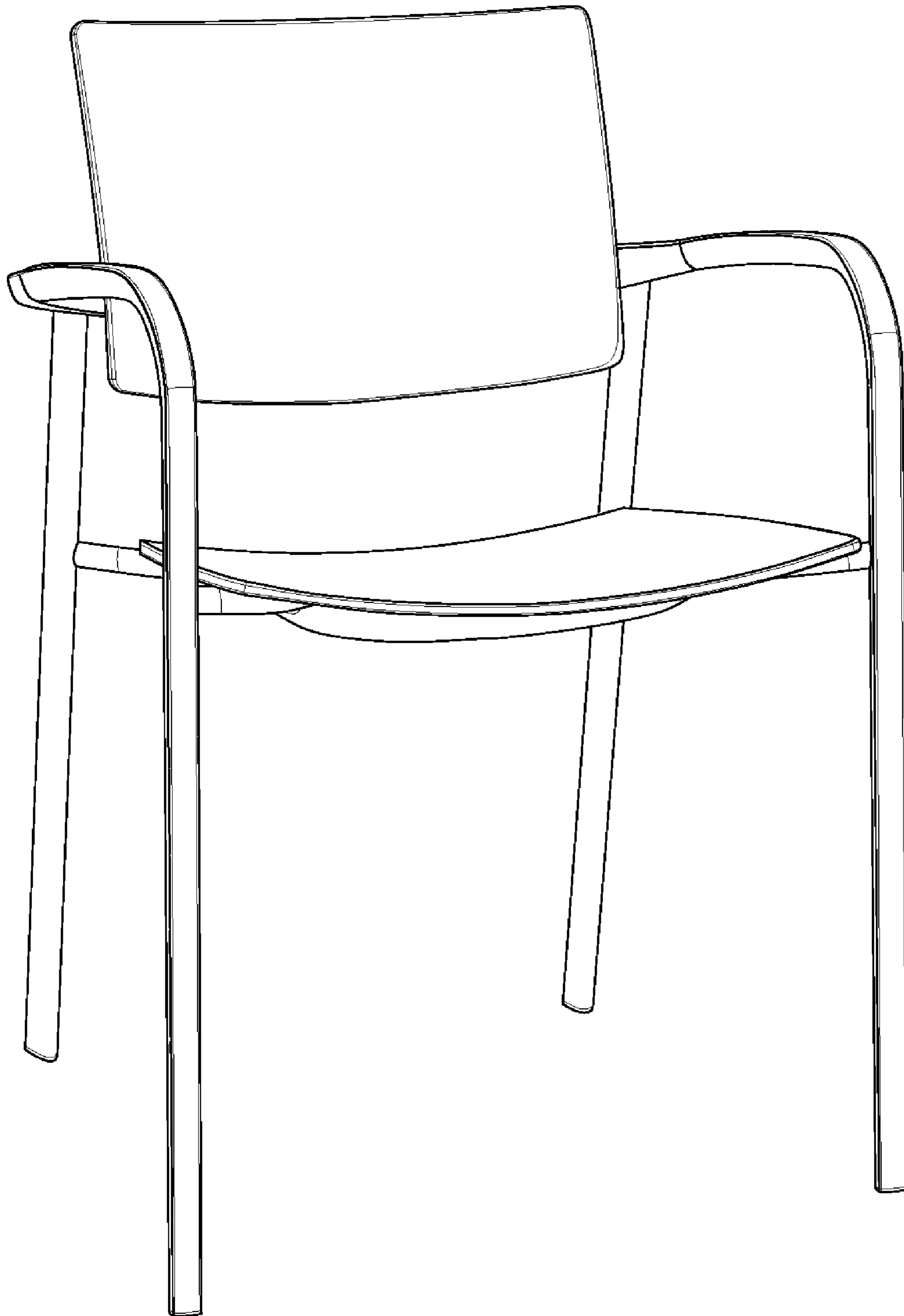


FIG. 7