



US00D558478S

(12) **United States Design Patent**
Rothe

(10) **Patent No.:** **US D558,478 S**

(45) **Date of Patent:** **** Jan. 1, 2008**

(54) **CHAIR**

(75) Inventor: **Sigurd Rothe**, Schwäbisch Gmünd (DE)

(73) Assignee: **Casala Meubelen Nederland B.V.**, Culemborg (NL)

(**) Term: **14 Years**

(21) Appl. No.: **29/235,892**

(22) Filed: **Aug. 9, 2005**

(30) **Foreign Application Priority Data**

Feb. 11, 2005 (BX) 81415-01
Feb. 11, 2005 (BX) 81415-02

(51) **LOC (8) Cl.** **06-01**

(52) **U.S. Cl.** **D6/373**

(58) **Field of Classification Search** D6/334–335,
D6/371–376, 379–380, 369; 297/445.1,
297/447.3, 448.2, 446.1, 448.1, 447.1
See application file for complete search history.

(56) **References Cited**

U.S. PATENT DOCUMENTS

D202,775 S * 11/1965 Rowland D6/373
D237,848 S * 12/1975 Sklaroff D6/373
D269,831 S * 7/1983 Crone D6/373
D314,285 S * 2/1991 Favaretto D6/373
D323,750 S * 2/1992 Piretti D6/373
D328,984 S * 9/1992 Marini D6/373
D344,418 S * 2/1994 Favaretto D6/373
D374,129 S * 10/1996 Timmons D6/373
D455,570 S * 4/2002 Kita D6/373
D466,712 S * 12/2002 Haney et al. D6/373
D472,723 S * 4/2003 Haney et al. D6/373

D516,830 S * 3/2006 Leist et al. D6/373

* cited by examiner

Primary Examiner—Caron D. Veynar

Assistant Examiner—Abraham Bahta

(74) *Attorney, Agent, or Firm*—Finnegan, Henderson, Farabow, Garrett & Dunner, L.L.P.

(57) **CLAIM**

The ornamental design for a chair, as shown and described.

DESCRIPTION

FIG. 1 is a left-front, perspective view of a first embodiment of a chair of my new design;

FIG. 2 is a front view thereof;

FIG. 3 is a rear view thereof;

FIG. 4 is a left-side view, the right-side view being a mirror image thereof;

FIG. 5 is a top-plan view thereof;

FIG. 6 is a bottom view thereof;

FIG. 7 is a left-front, perspective view of a second embodiment of a chair of my new design.

FIG. 8 is a front view thereof;

FIG. 9 is a rear view thereof;

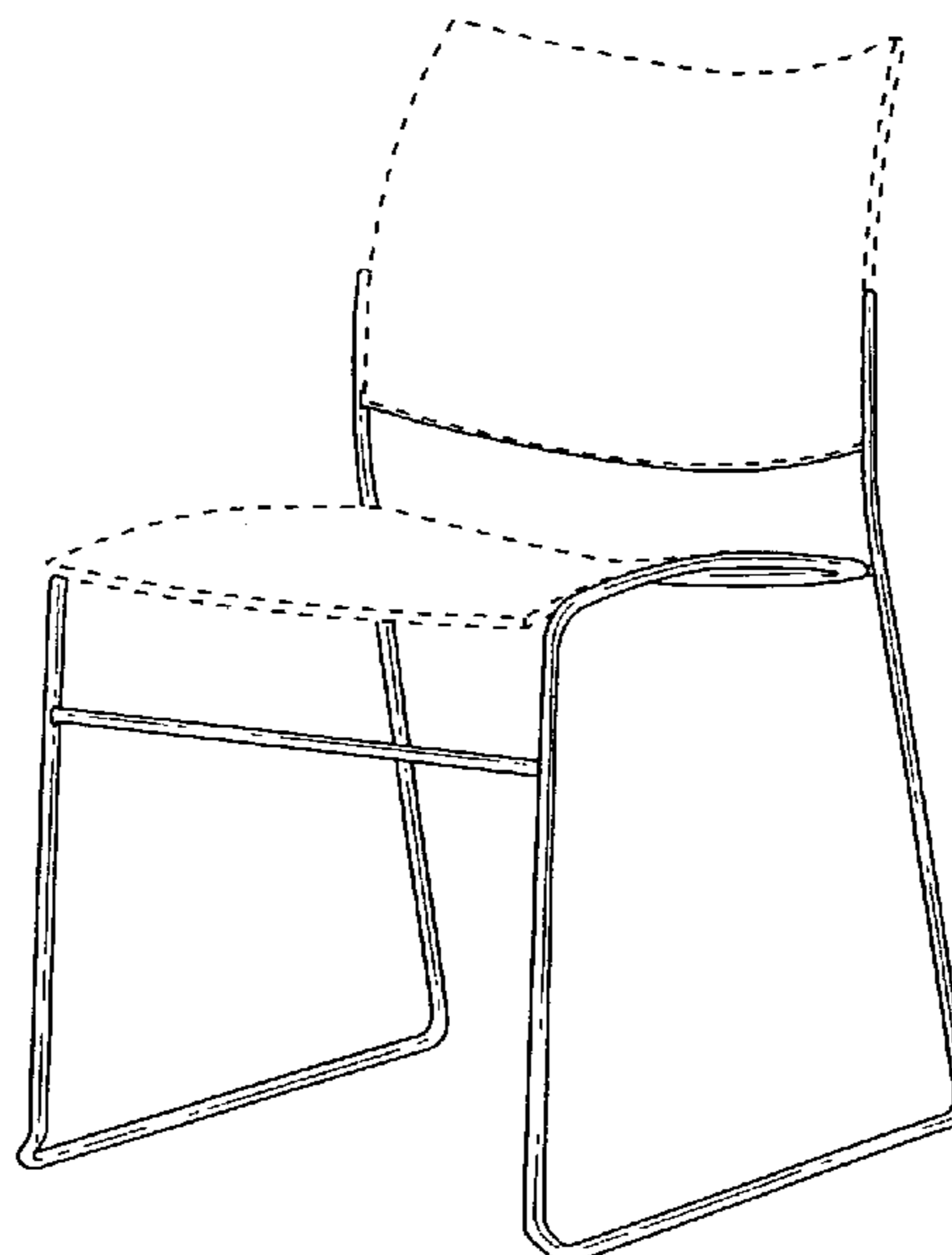
FIG. 10 is a left-side view, the right-side view being a mirror image thereof;

FIG. 11 is a top-plan view thereof; and,

FIG. 12 is a bottom view thereof.

The portion of the chair shown in broken lines merely depicts environment and forms no part of the claimed design.

1 Claim, 8 Drawing Sheets



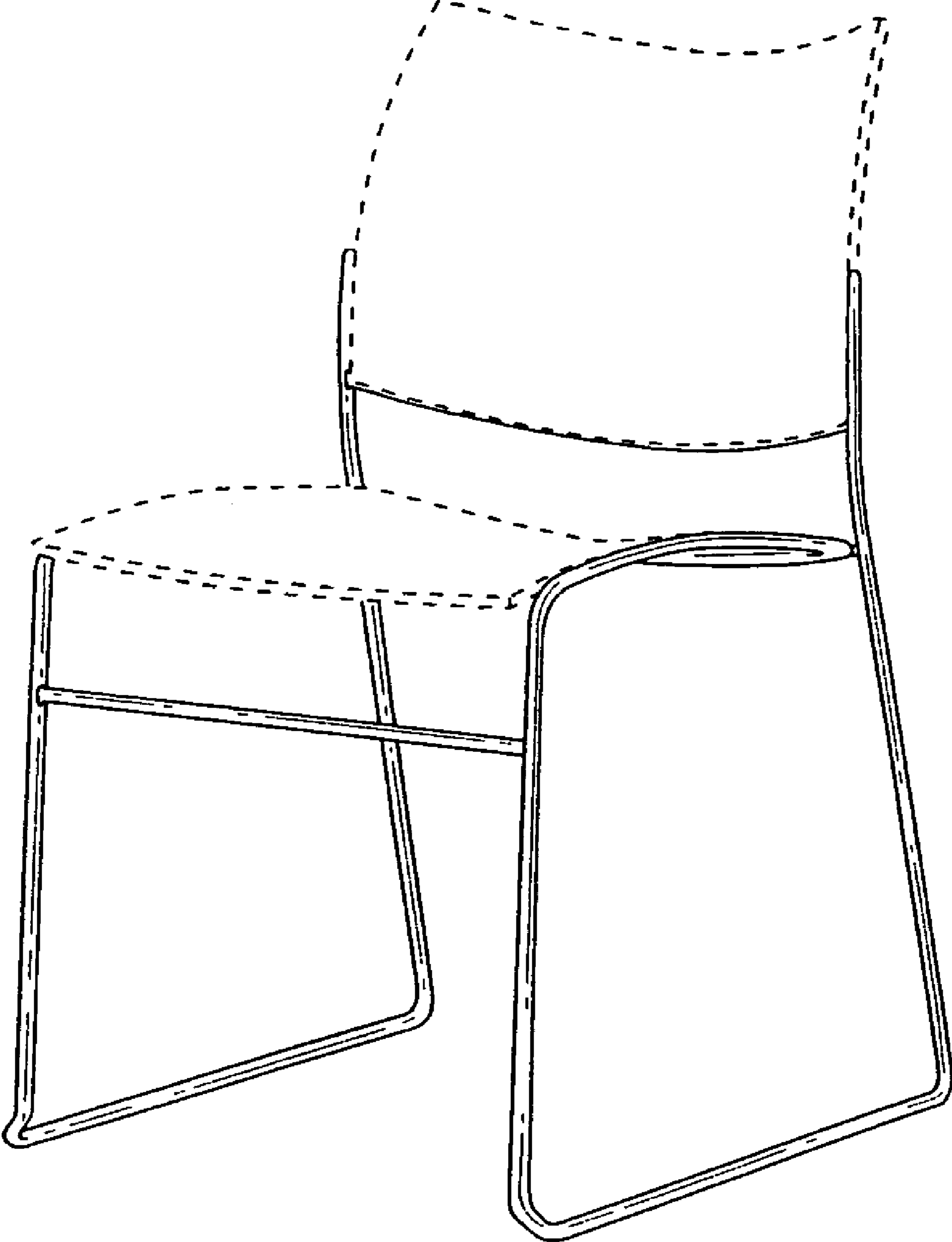


FIG. 1

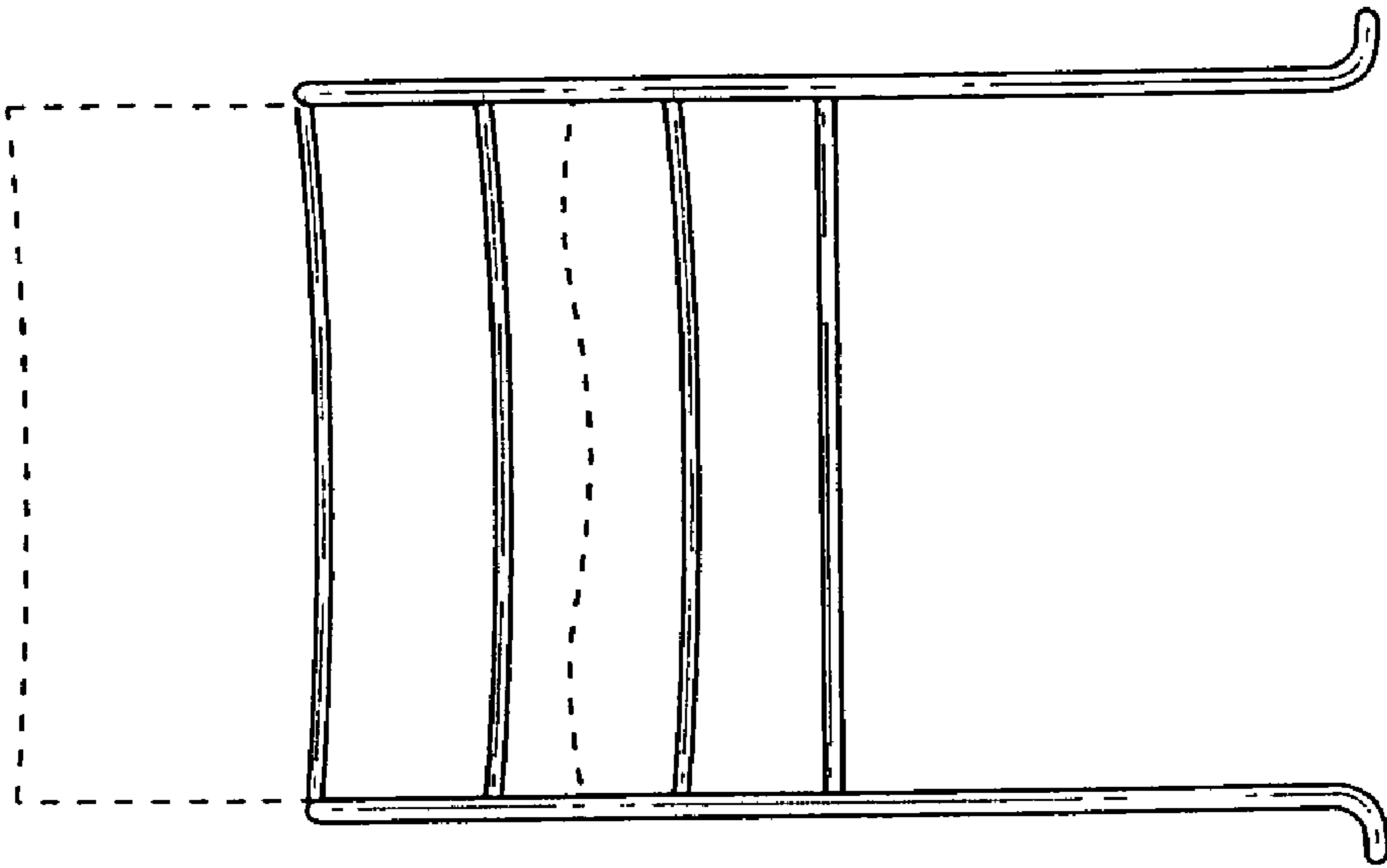


FIG. 3

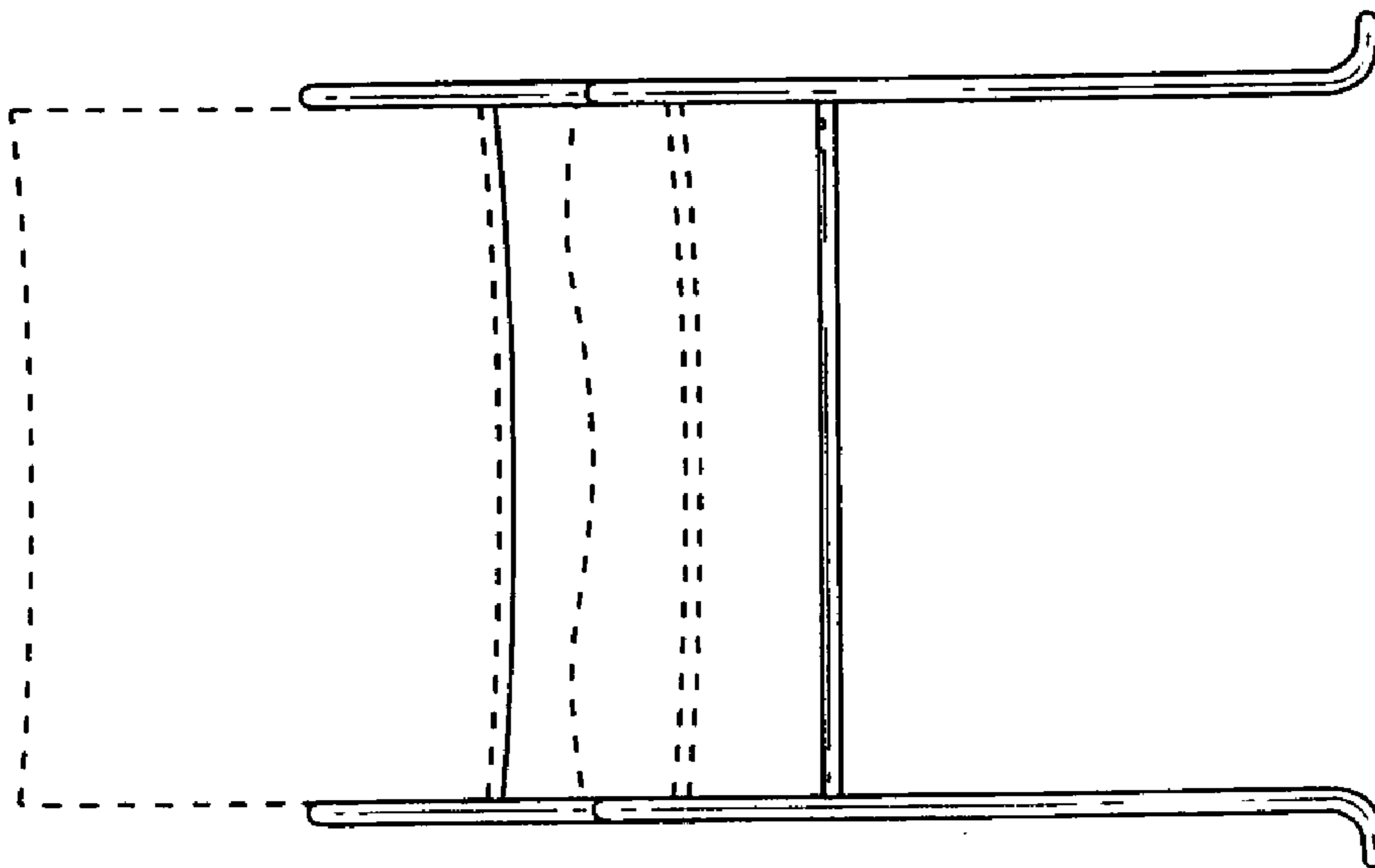


FIG. 2

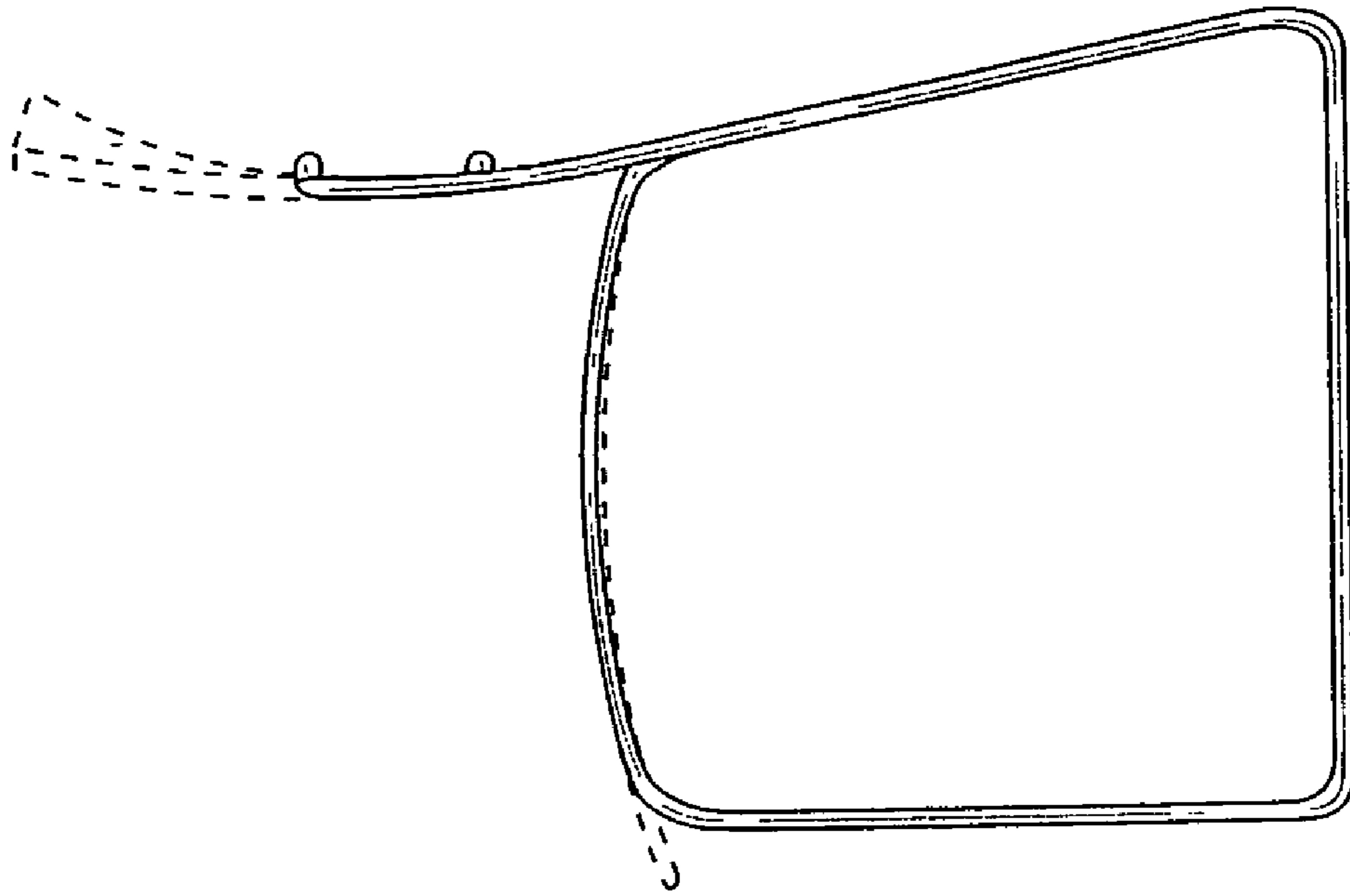


FIG. 4

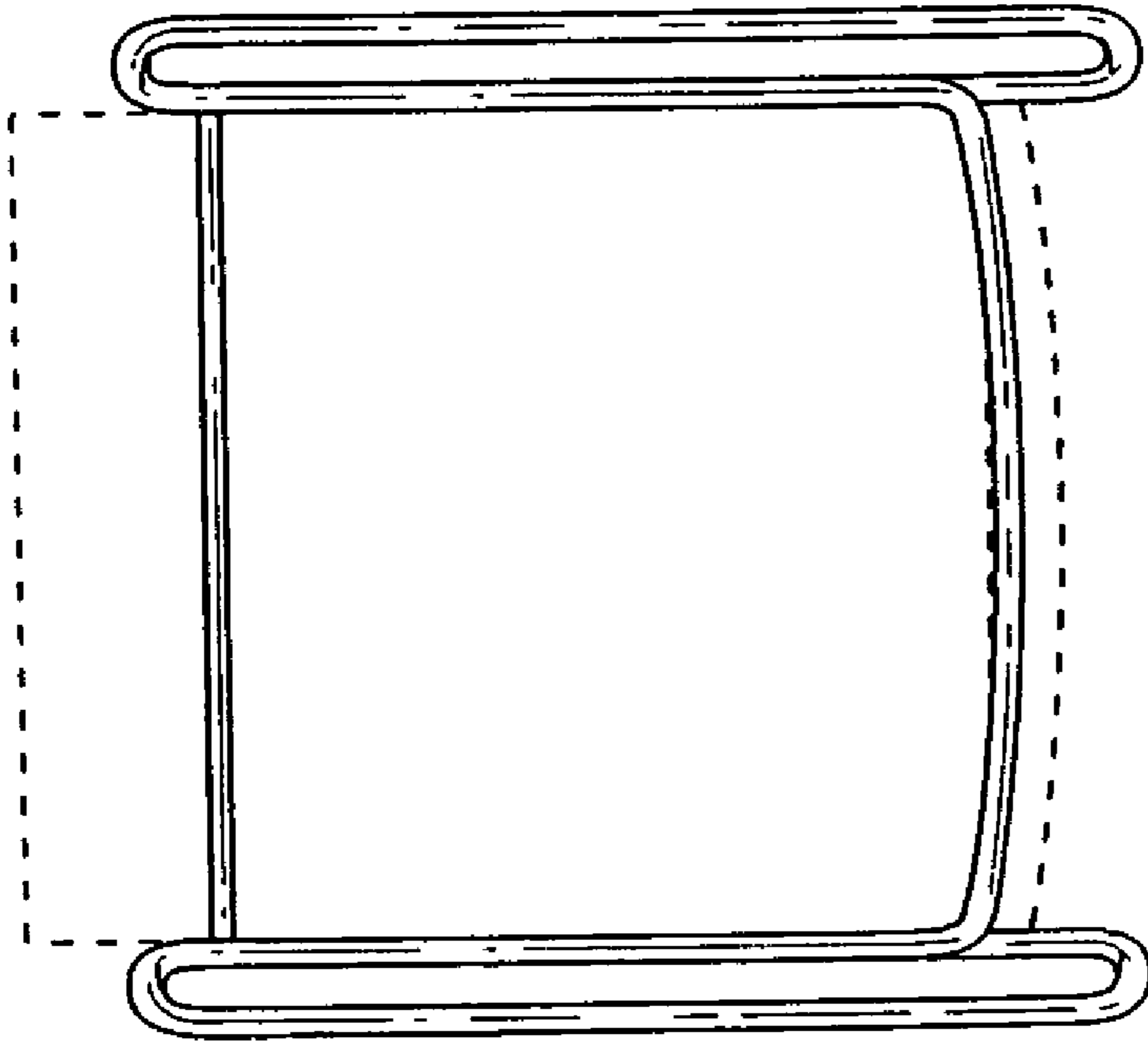


FIG. 6

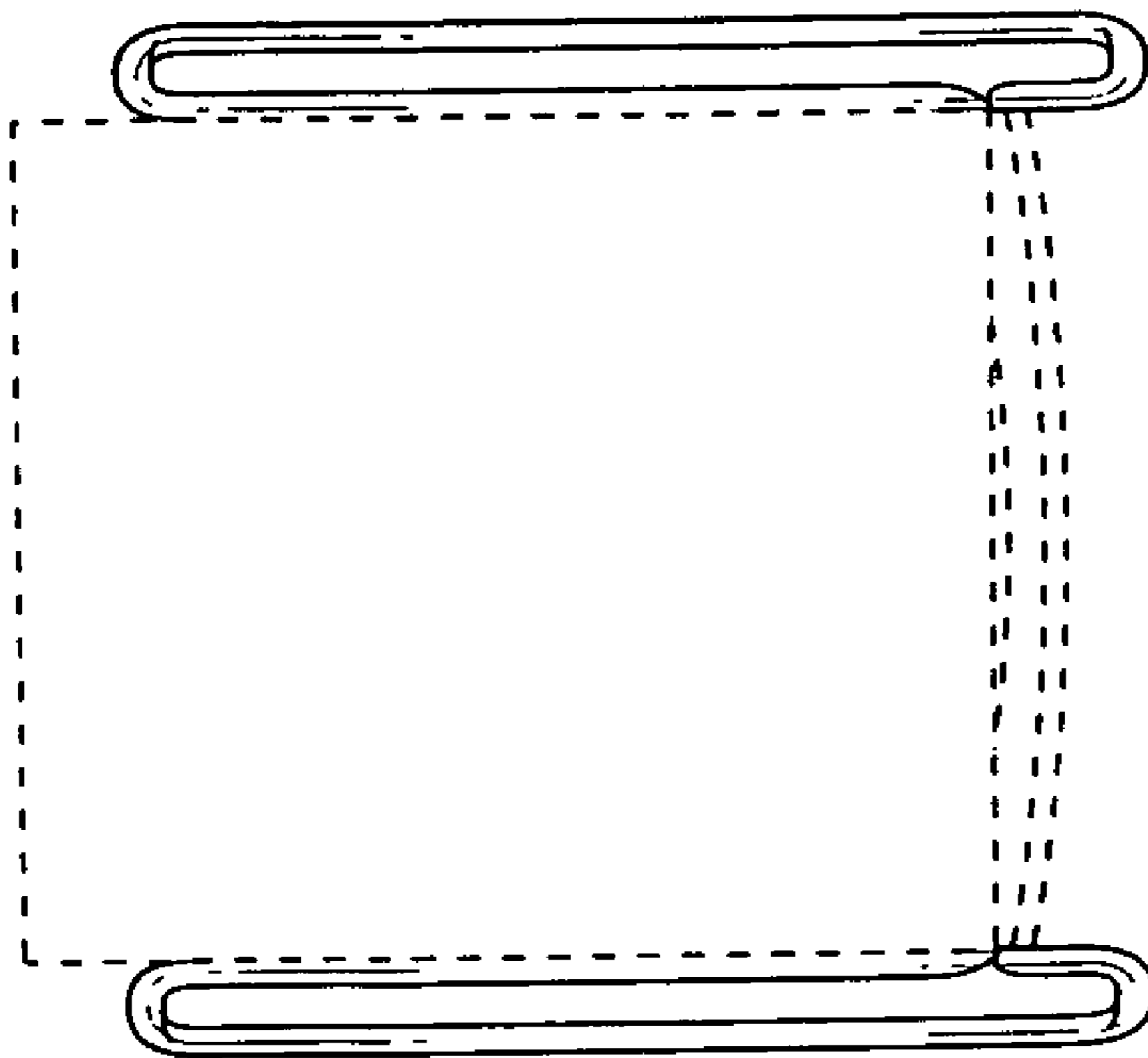


FIG. 5

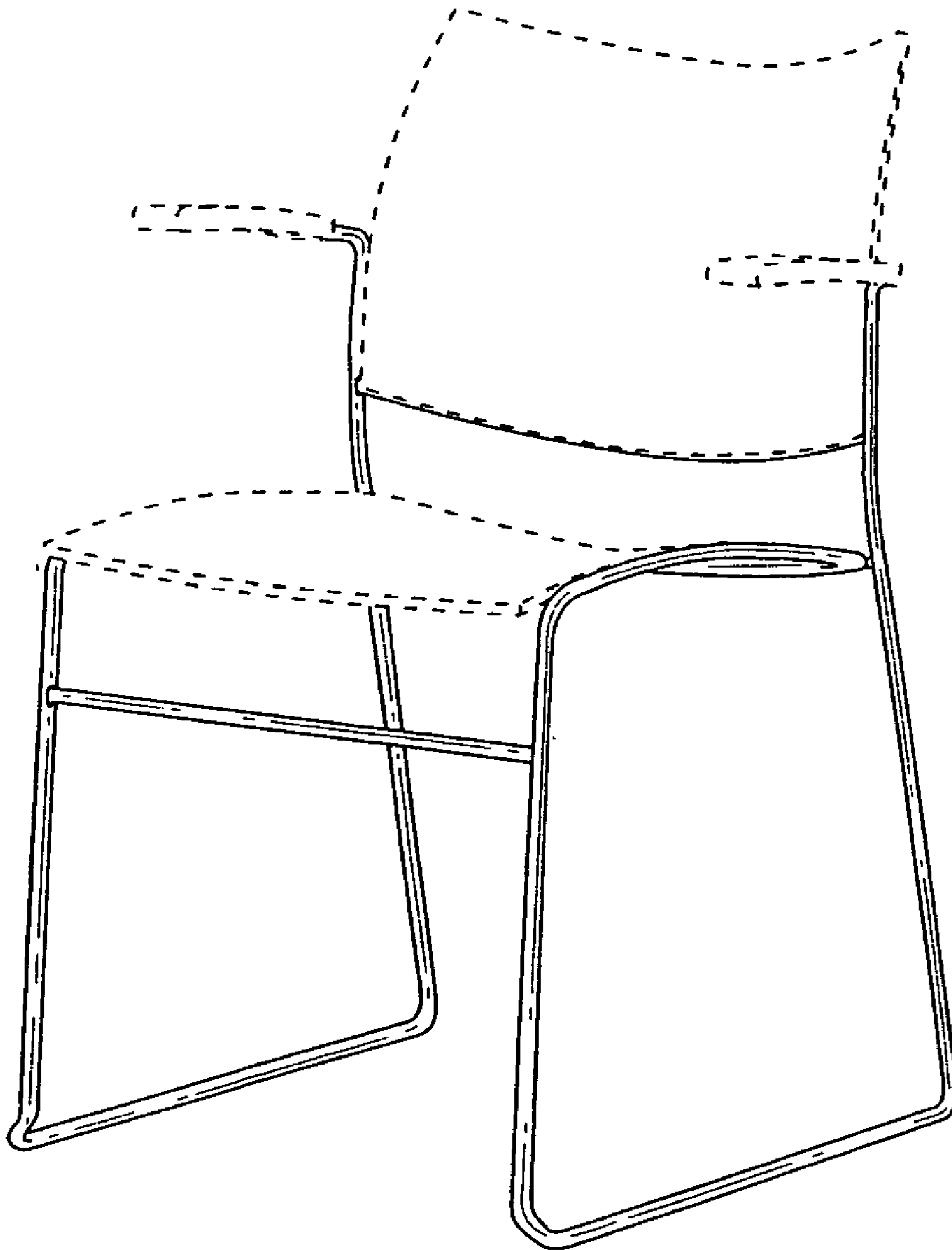


FIG. 7

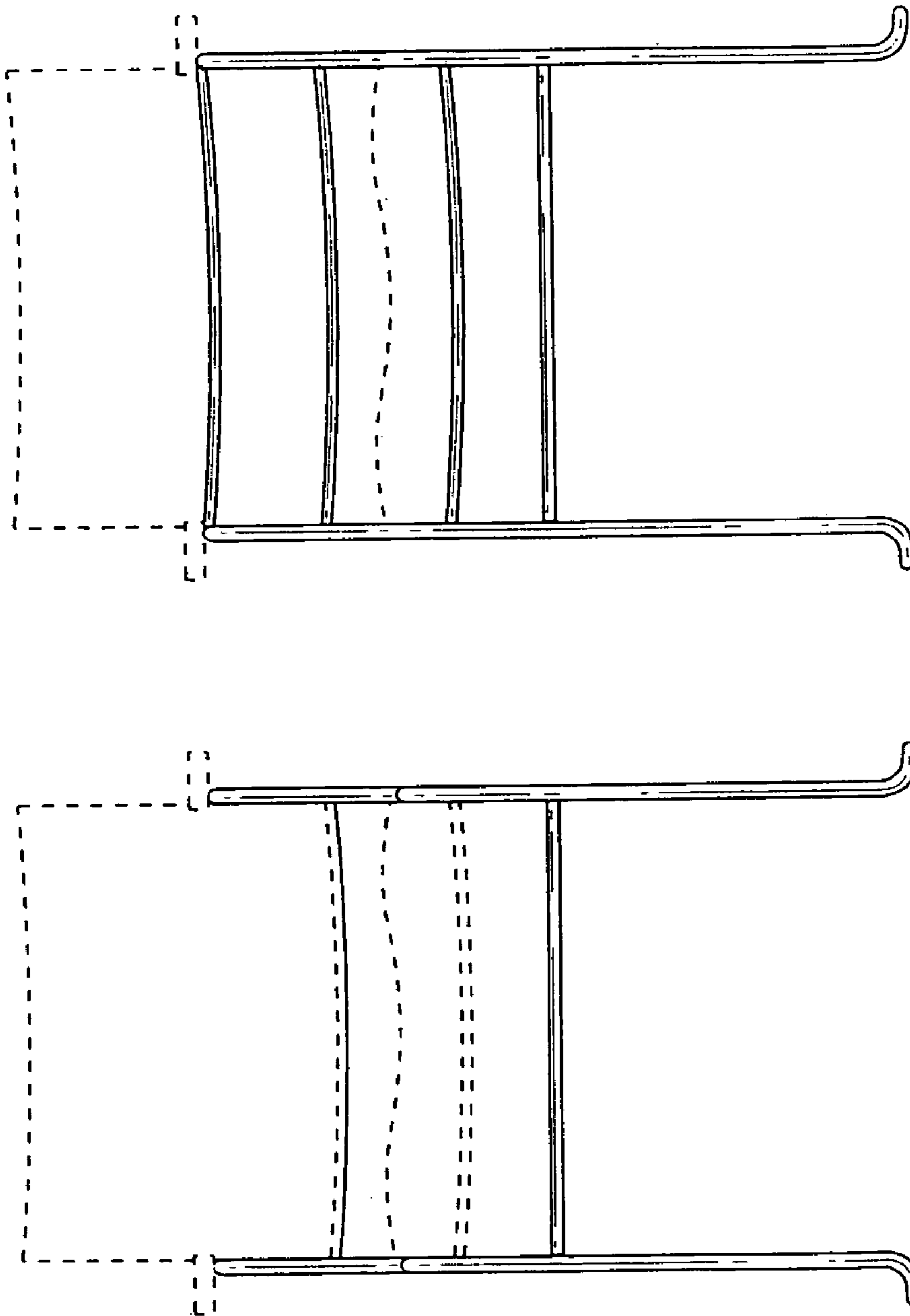


FIG. 9

FIG. 8

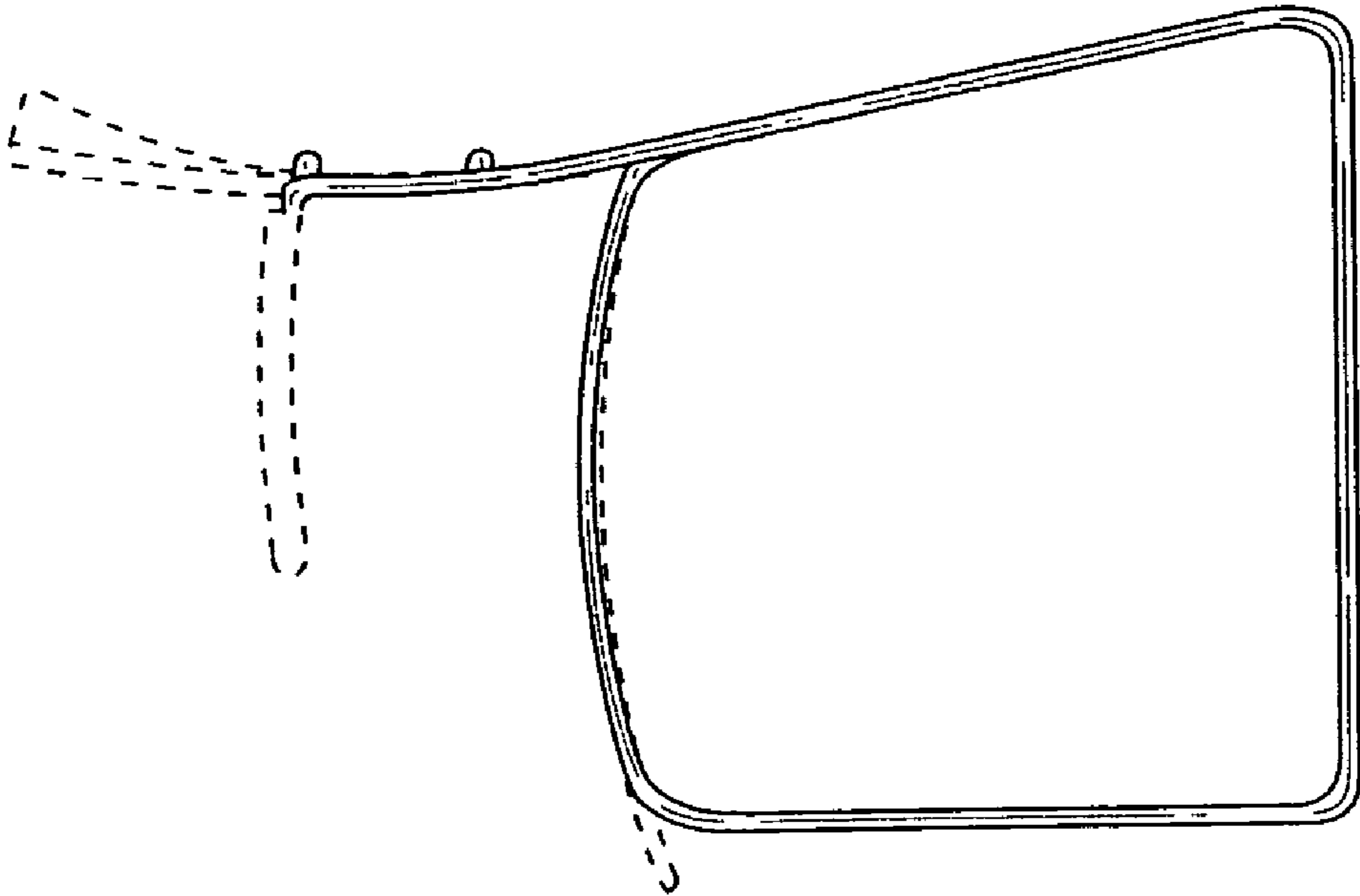


FIG. 10

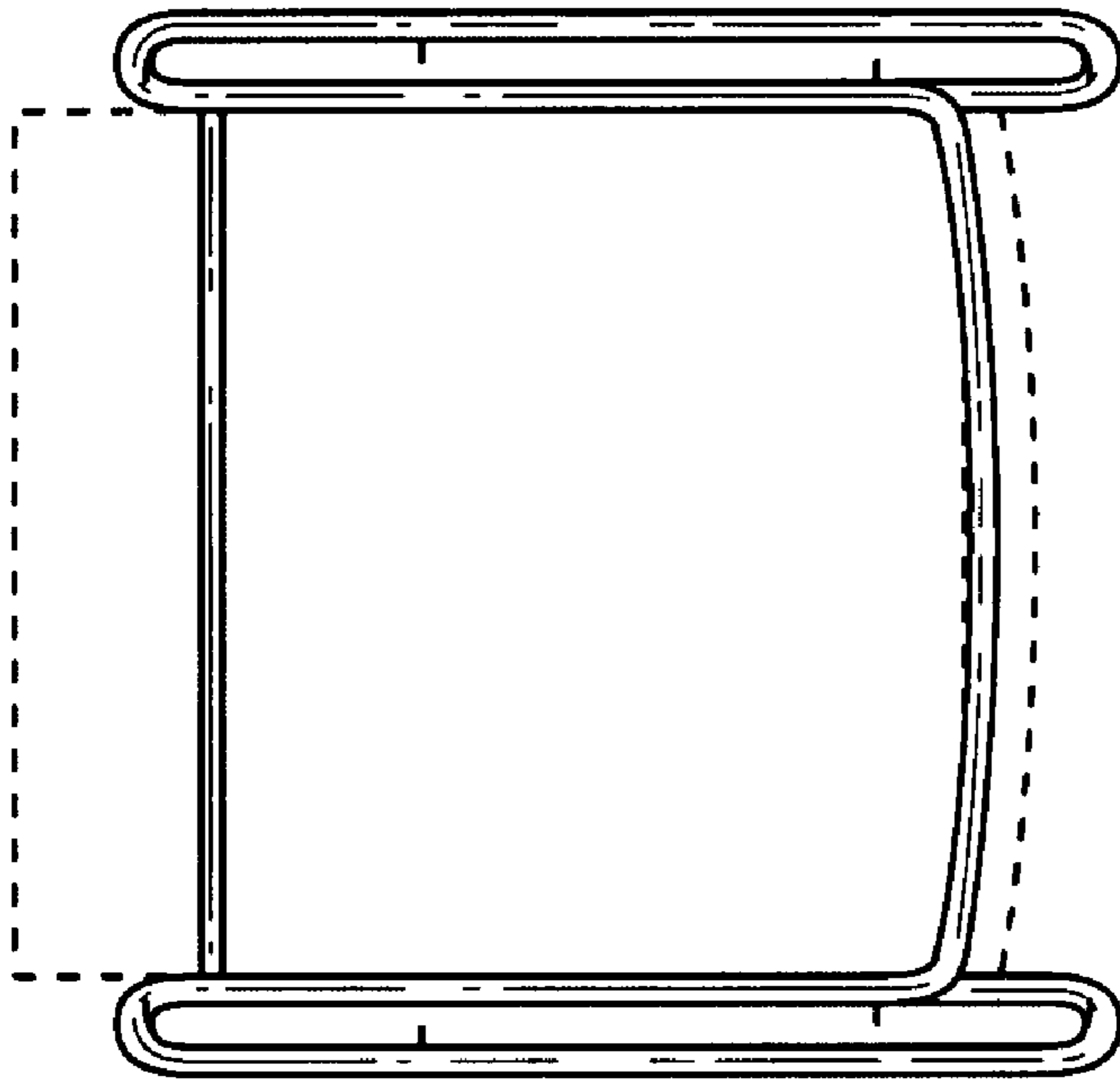


FIG. 12

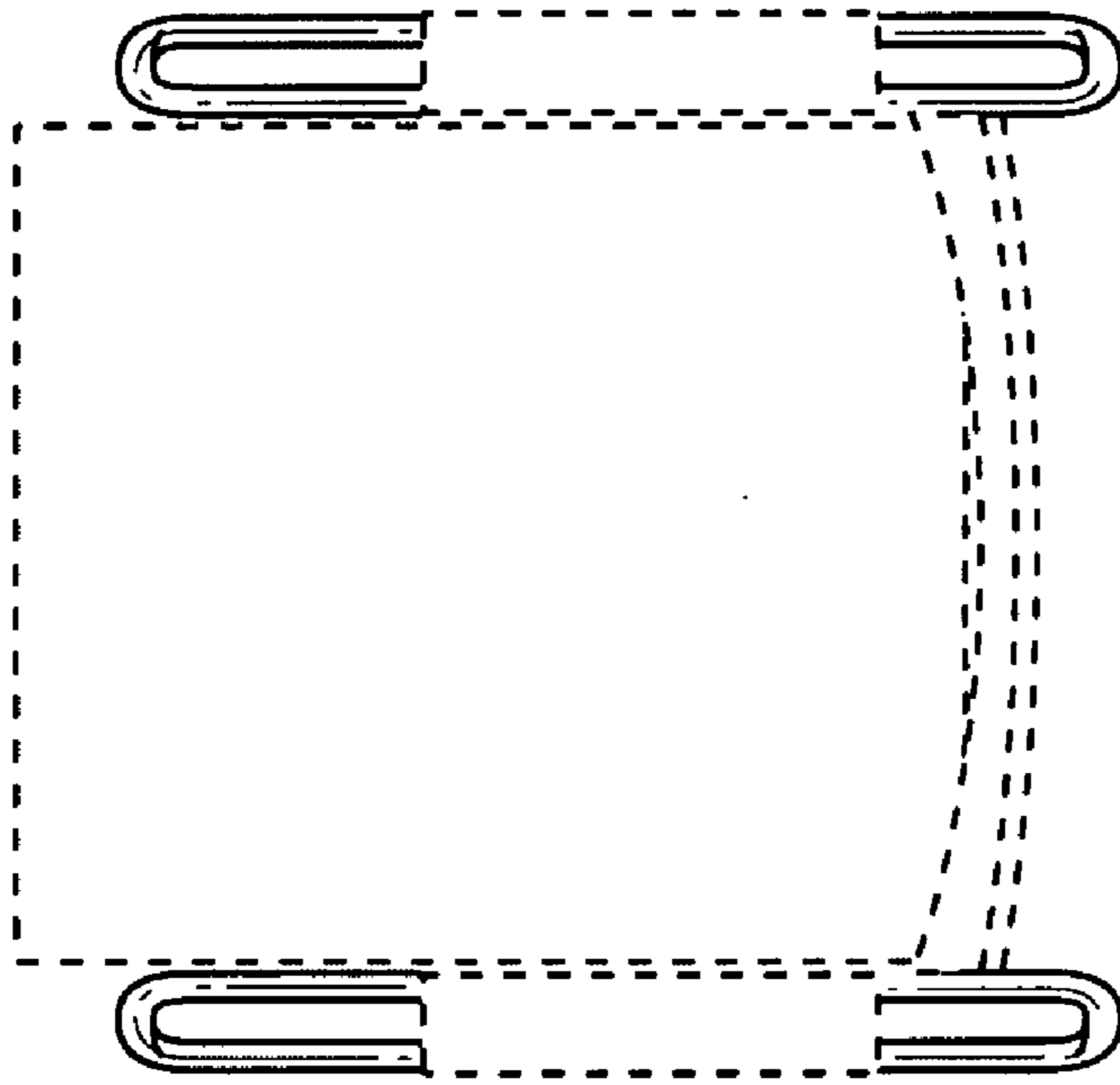


FIG. 11