



US00D558476S

(12) **United States Design Patent** (10) **Patent No.:** **US D558,476 S**
Kane et al. (45) **Date of Patent:** **** Jan. 1, 2008**

(54) **SEATING UNIT**

(75) Inventors: **Brian J. Kane**, San Francisco, CA (US); **Jody L. Hanson**, Wyoming, MI (US); **David C. Eberlein**, Hudsonville, MI (US); **Kirt D. Martin**, Alto, MI (US)

(73) Assignee: **Steelcase Development Corporation**, Caledonia, MI (US)

(**) Term: **14 Years**

(21) Appl. No.: **29/280,630**

(22) Filed: **Jun. 4, 2007**

Related U.S. Application Data

(62) Division of application No. 29/230,510, filed on May 23, 2005, now Pat. No. Des. 546,594.

(51) **LOC (8) Cl.** **06-01**

(52) **U.S. Cl.** **D6/366**

(58) **Field of Classification Search** D6/334-336, D6/364, 365, 366, 367, 374, 375, 379, 498, D6/500-502; 297/411.27, 452.21, 452.24, 297/452.26, 452.29, 452.32, 452.48, 411.2, 297/411.28, 411.36; 248/188.7

See application file for complete search history.

(56) **References Cited**

U.S. PATENT DOCUMENTS

D270,497 S 9/1983 Ochsner

(Continued)

OTHER PUBLICATIONS

Exhibit A is a brochure disclosing several chairs including a side chair in prior art called the Jersey chair, made by Steelcase Development Corporation, the assignee of the present application.

(Continued)

Primary Examiner—Mimosa De

(74) *Attorney, Agent, or Firm*—Price, Heneveld, Cooper, DeWitt & Litton LLP

(57) **CLAIM**

We claim the ornamental design for a seating unit, as shown and described.

DESCRIPTION

FIG. 1 is a perspective view of a first embodiment of a seating unit embodying the present invention;

FIG. 2 is a front view of FIG. 1;

FIG. 3 is a right side view of FIG. 1, the left side being a mirror image thereof;

FIG. 4 is a rear view of FIG. 1;

FIG. 5 is a top view of FIG. 1; and

FIG. 6 is a bottom view thereof.

FIG. 7 is a perspective view of a second embodiment of a seating unit embodying the present invention;

FIG. 8 is a front view of FIG. 7;

FIG. 9 is a right side view of FIG. 7, the left side being a mirror image thereof;

FIG. 10 is a rear view of FIG. 7;

FIG. 11 is a top view of FIG. 7; and

FIG. 12 is a bottom view of FIG. 7.

FIG. 13 is a perspective view of a third embodiment of a seating unit embodying the present invention;

FIG. 14 is a front view of FIG. 13;

FIG. 15 is a right side view of FIG. 13, the left side being a mirror image thereof

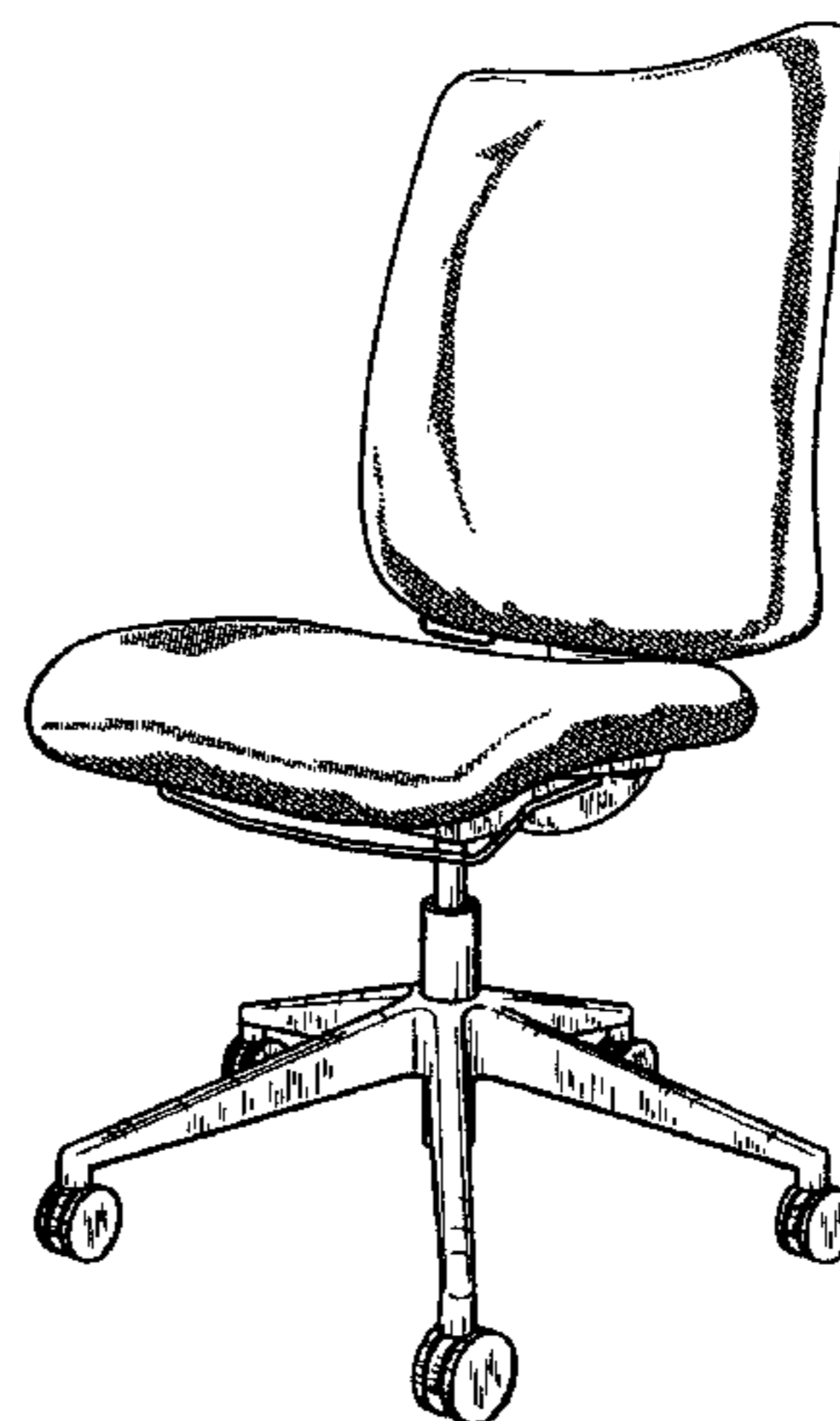
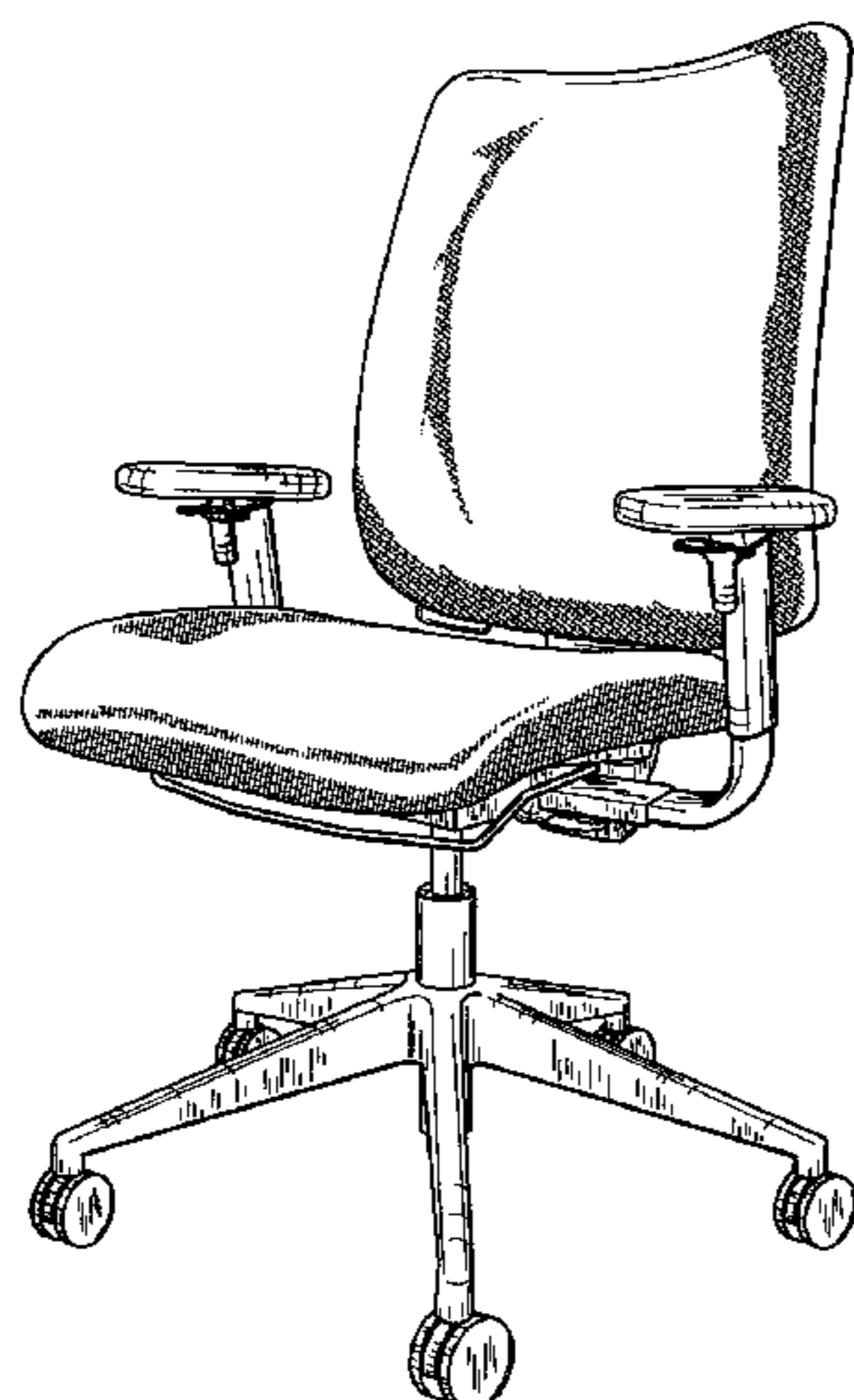
FIG. 16 is a rear view of FIG. 13;

FIG. 17 is a top view of FIG. 13; and,

FIG. 18 is a bottom view of FIG. 13.

The dashed lines in all Figs. are for illustrative purposes to show the environment, and form no part of the claimed design.

1 Claim, 9 Drawing Sheets



U.S. PATENT DOCUMENTS

D277,525 S 2/1985 Buhk et al.
D345,060 S 3/1994 Duncan
D390,369 S 2/1998 Breen
5,871,258 A 2/1999 Battey et al.
D413,027 S 8/1999 Breen
D414,951 S 10/1999 Breen
D420,224 S 2/2000 Olson
D446,033 S 8/2001 Koepke et al.
D477,469 S 7/2003 Brooks
D506,626 S 6/2005 Chen
D514,338 S 2/2006 Bellin
D517,820 S 3/2006 Citterio
D530,533 S 10/2006 Mehaffey et al.

D546,594 S * 7/2007 Kane et al. D6/500

OTHER PUBLICATIONS

Exhibit B is a brochure disclosing several chairs including a side chair in prior art called the Think chair, made by Steelcase Development Corporation, the assignee of the present application.

Exhibit C is a brochure disclosing several chairs including a side chair in prior art called the Leap chair, made by Steelcase Development Corporation, the assignee of the present application.

* cited by examiner



FIG. 1

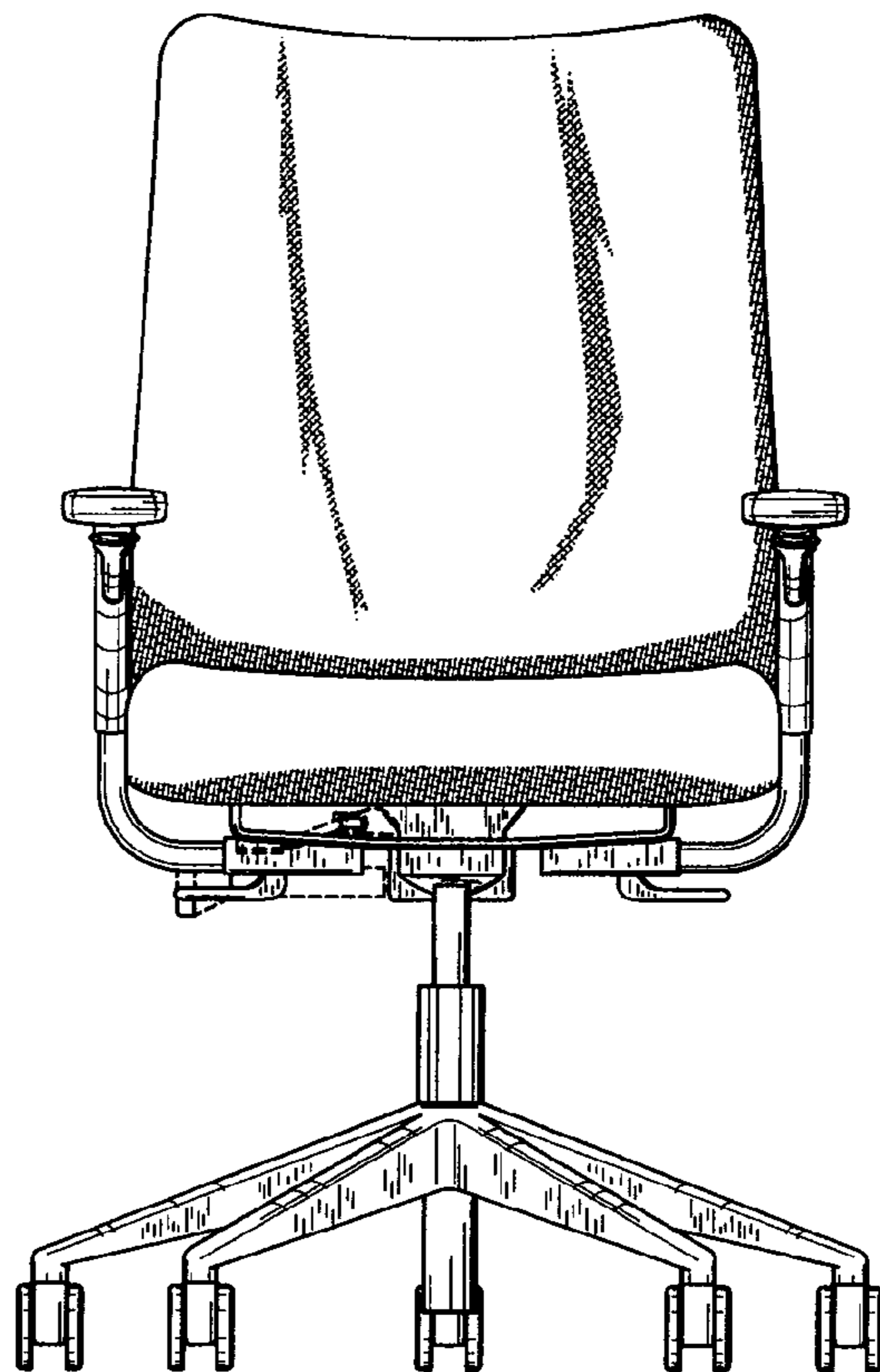


FIG. 2

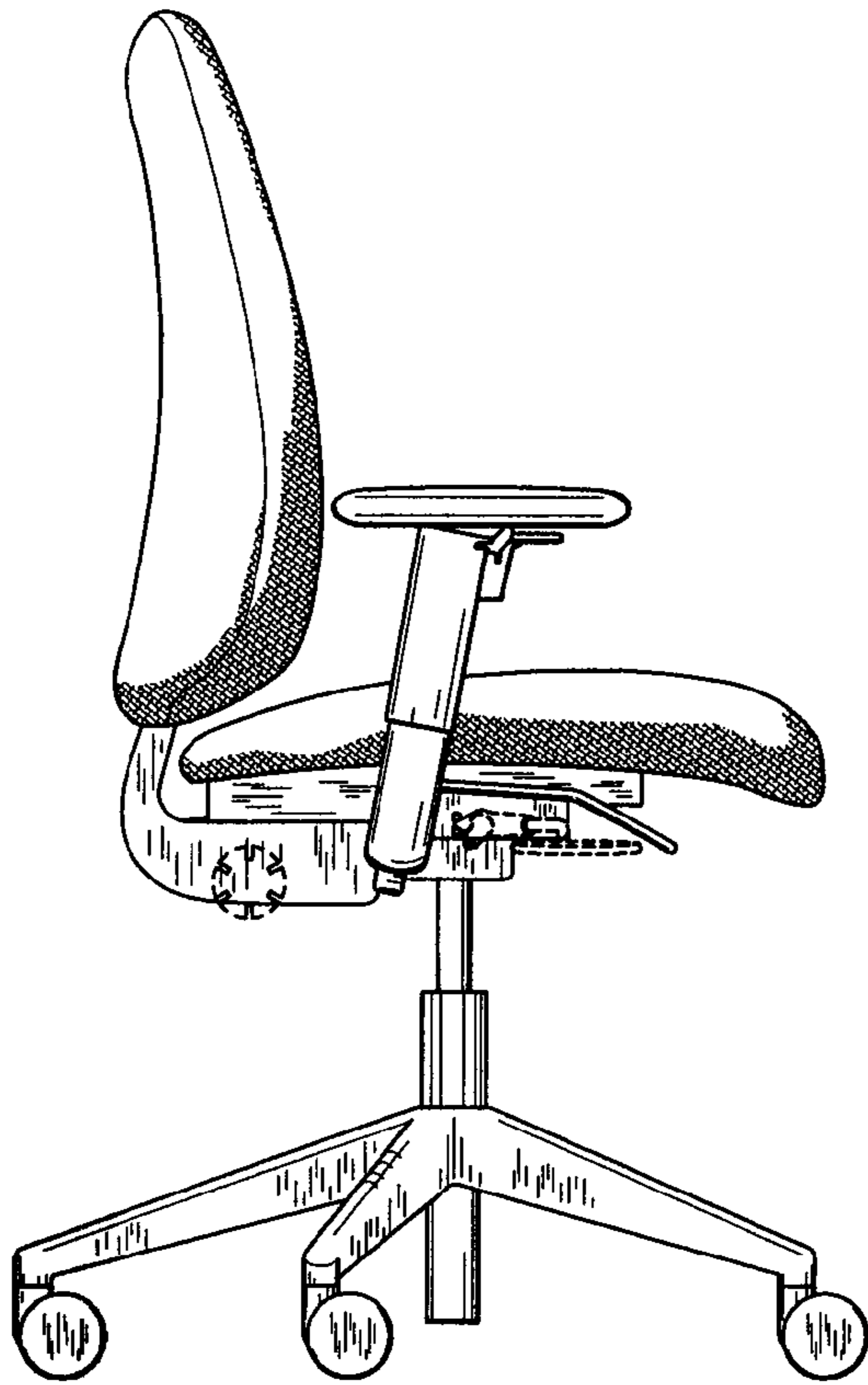


FIG. 3

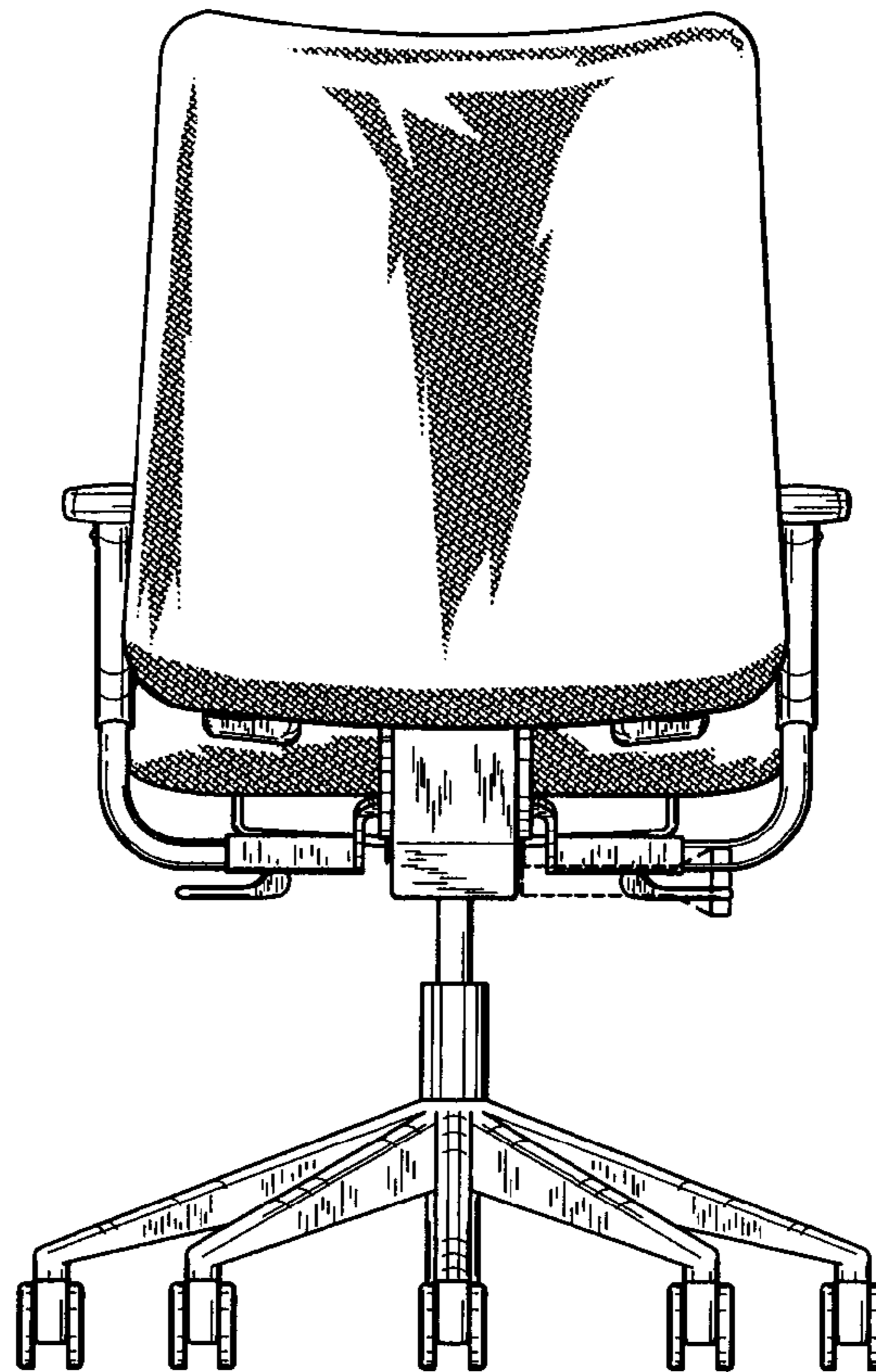


FIG. 4

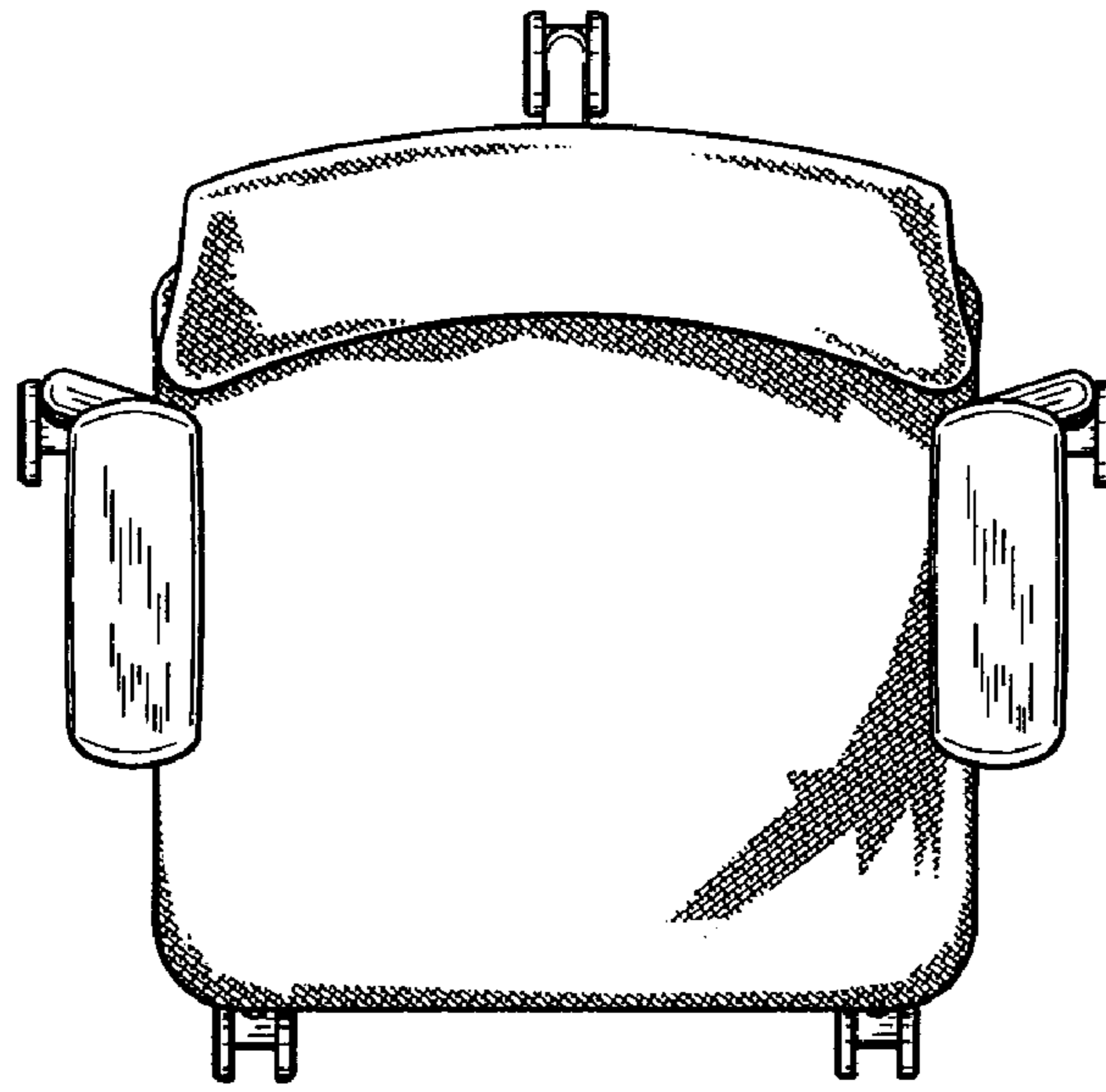


FIG. 5

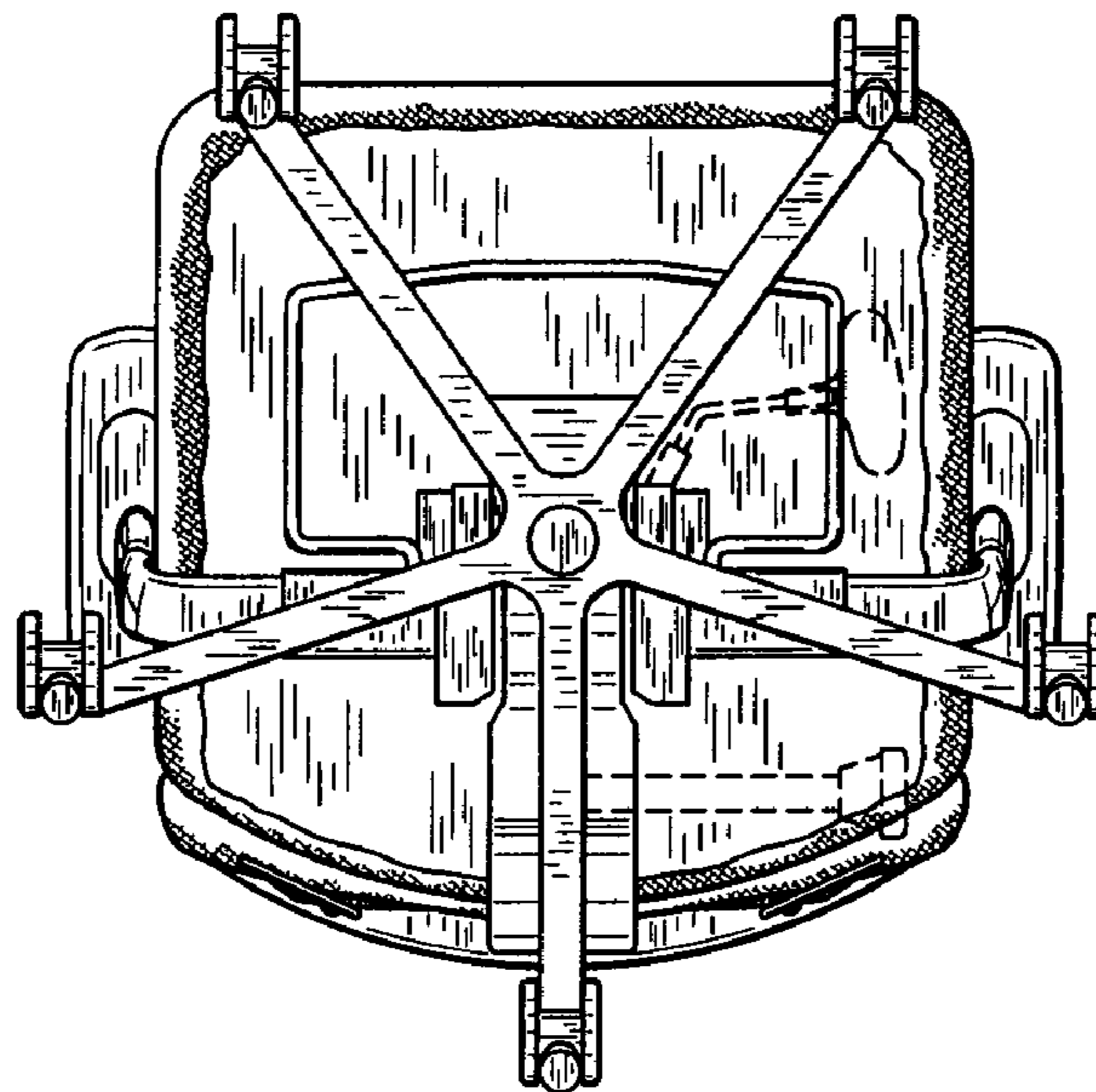


FIG. 6

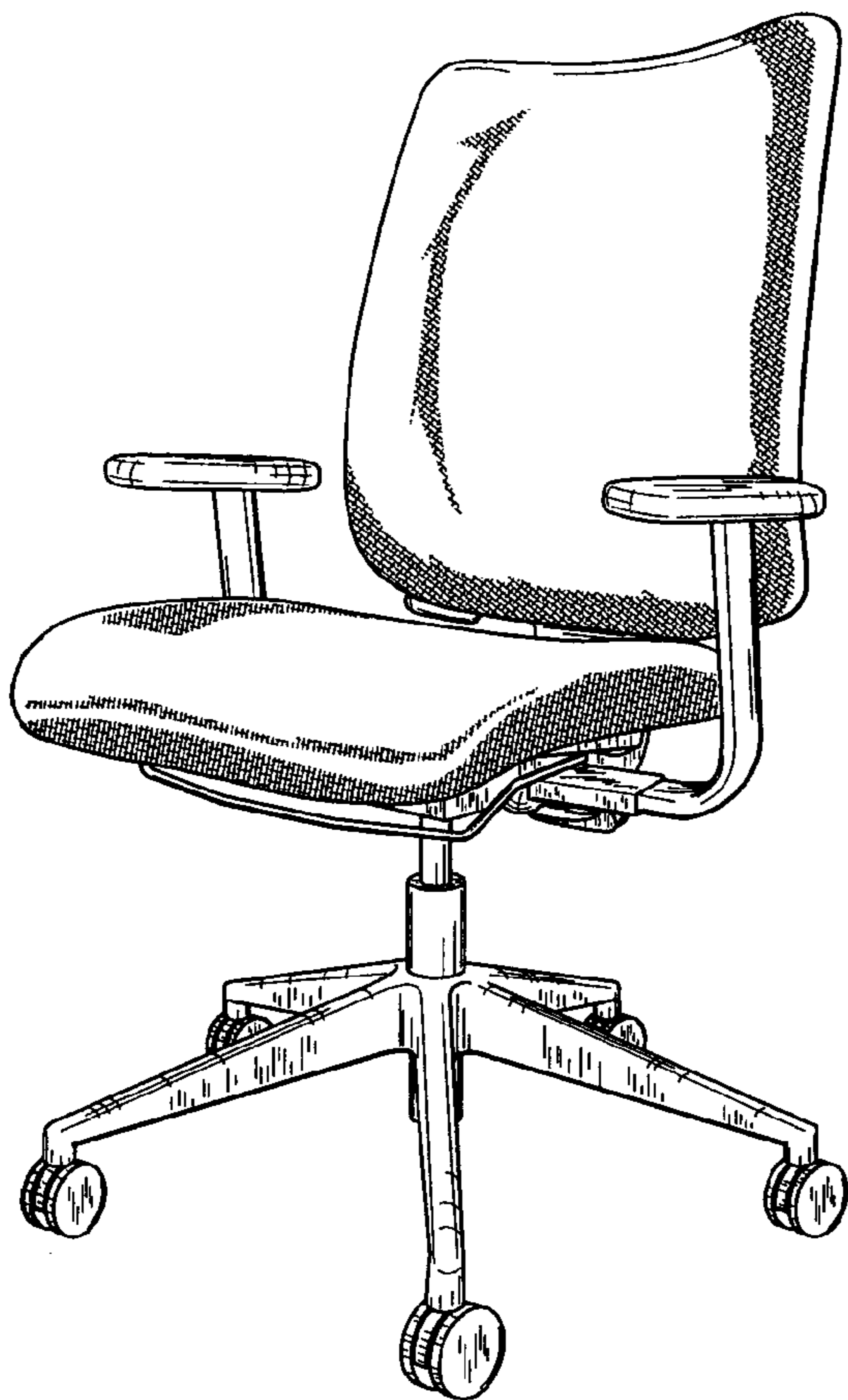


FIG. 7

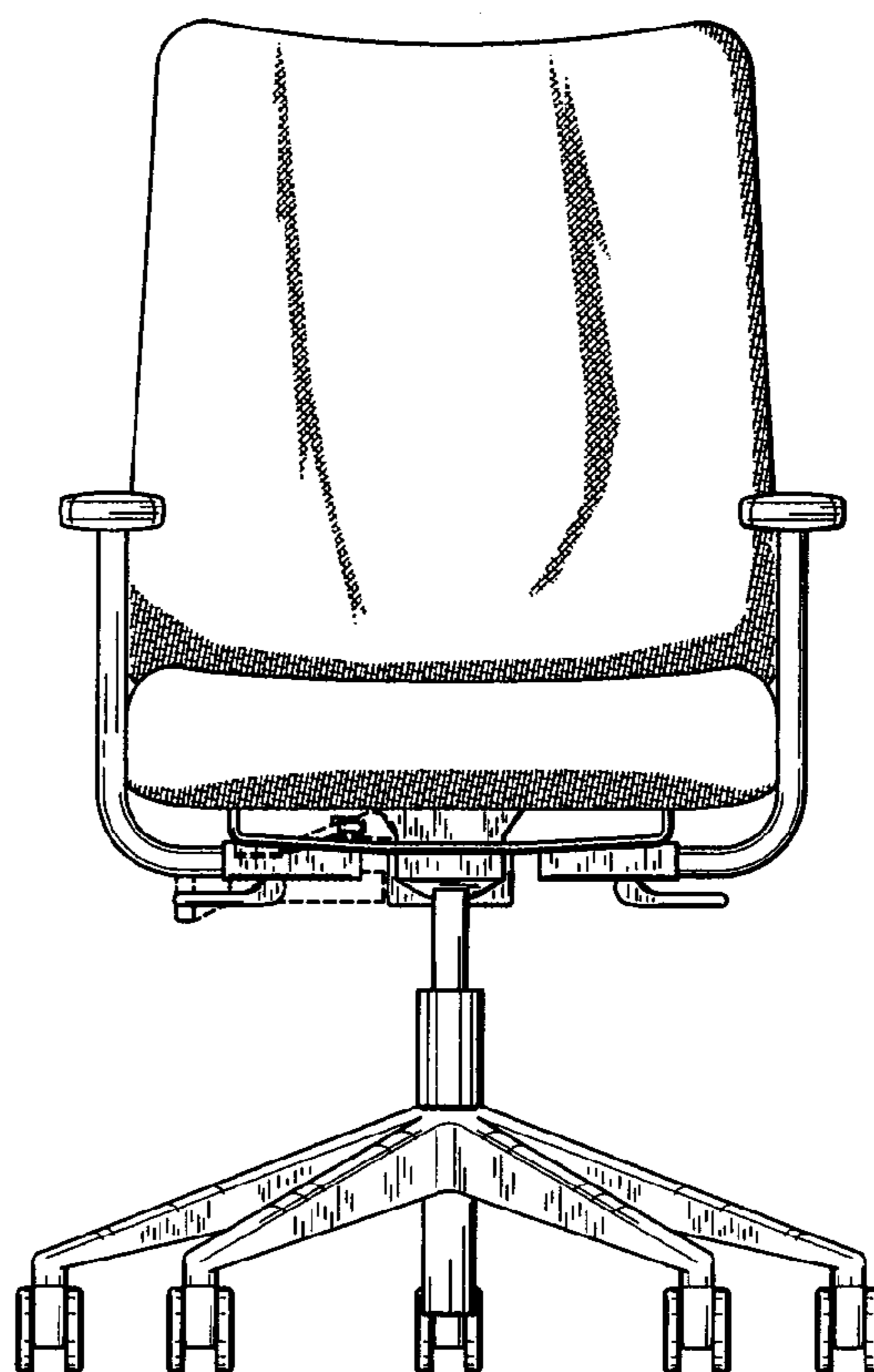


FIG. 8

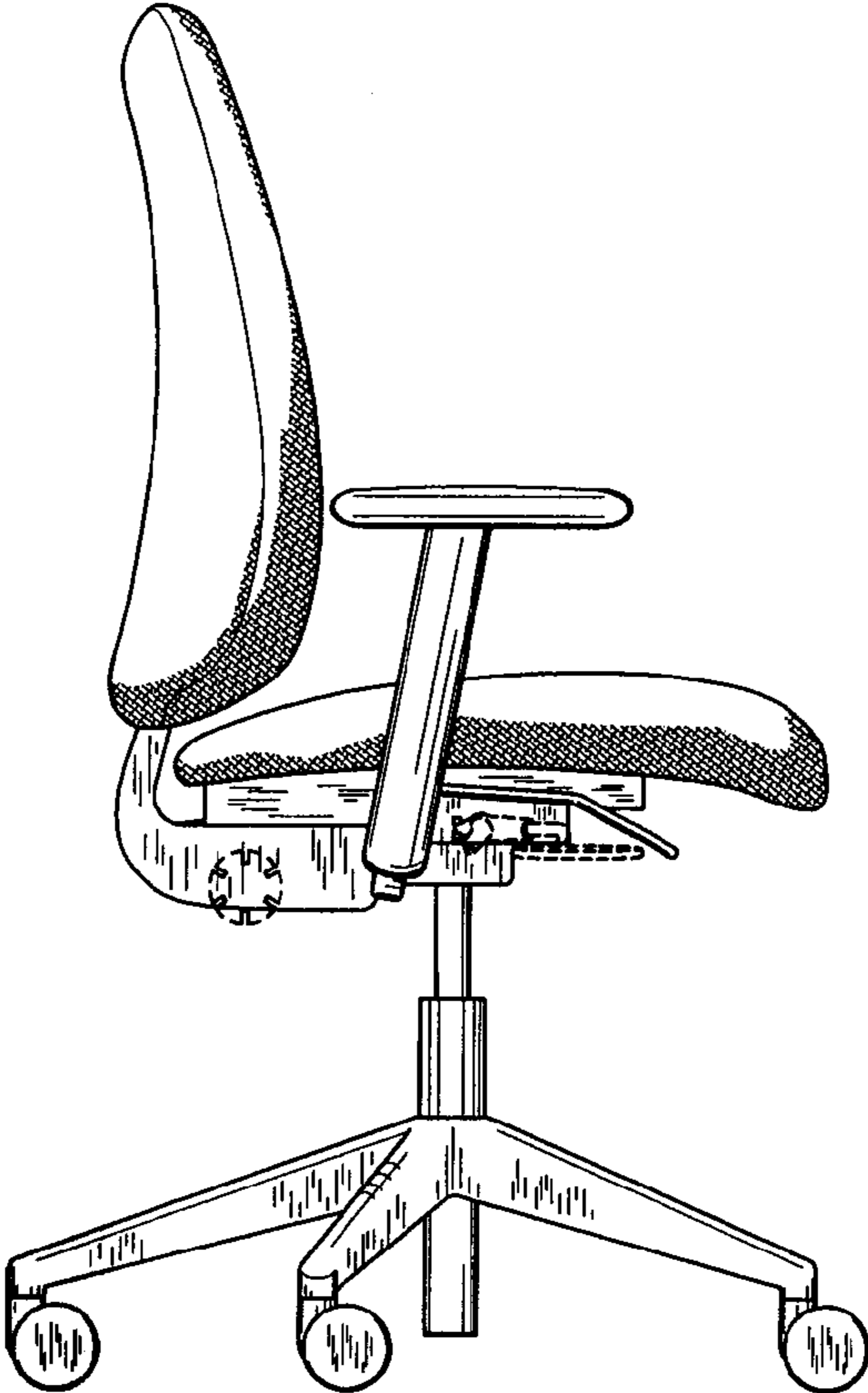


FIG. 9

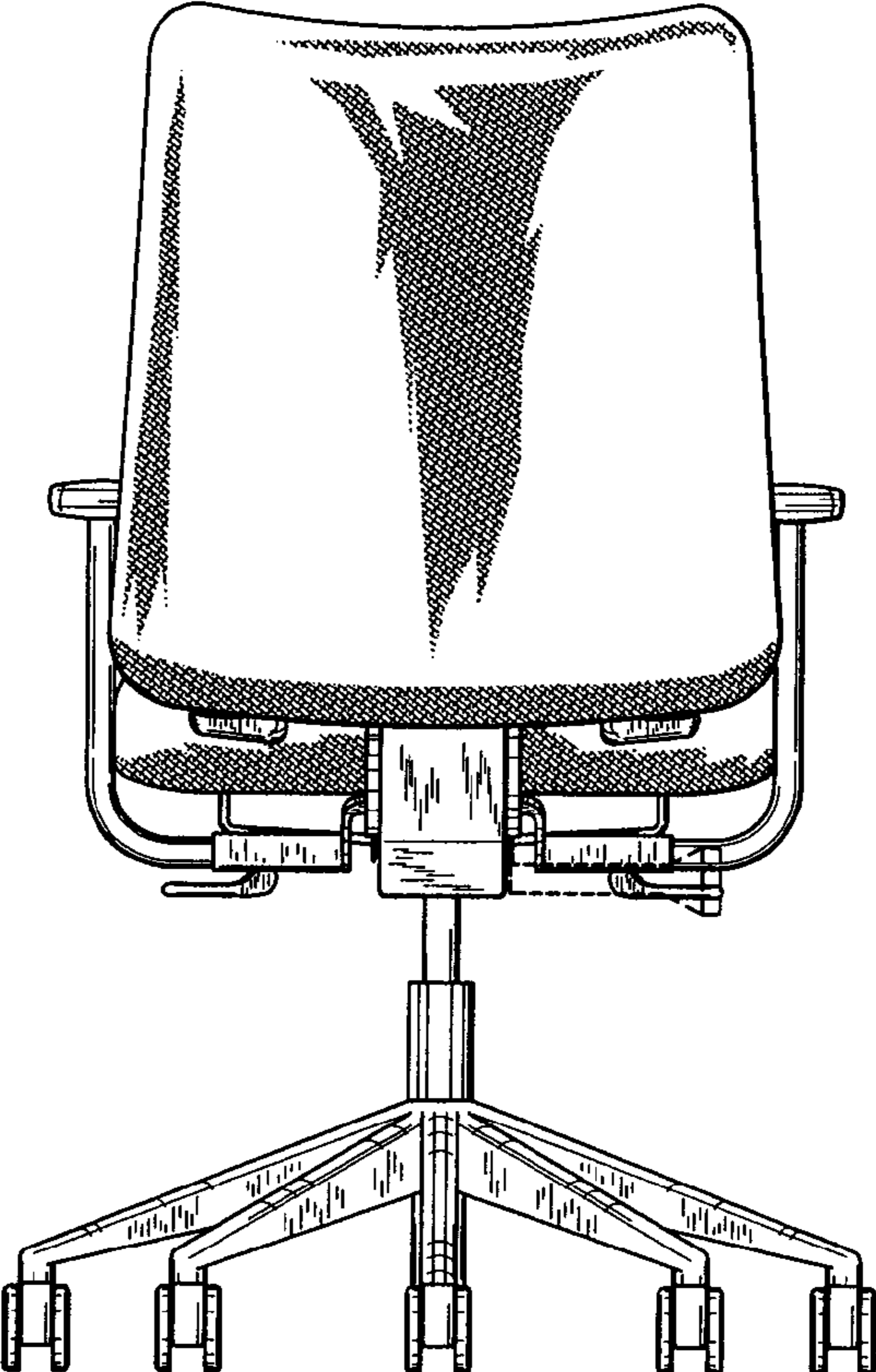


FIG. 10

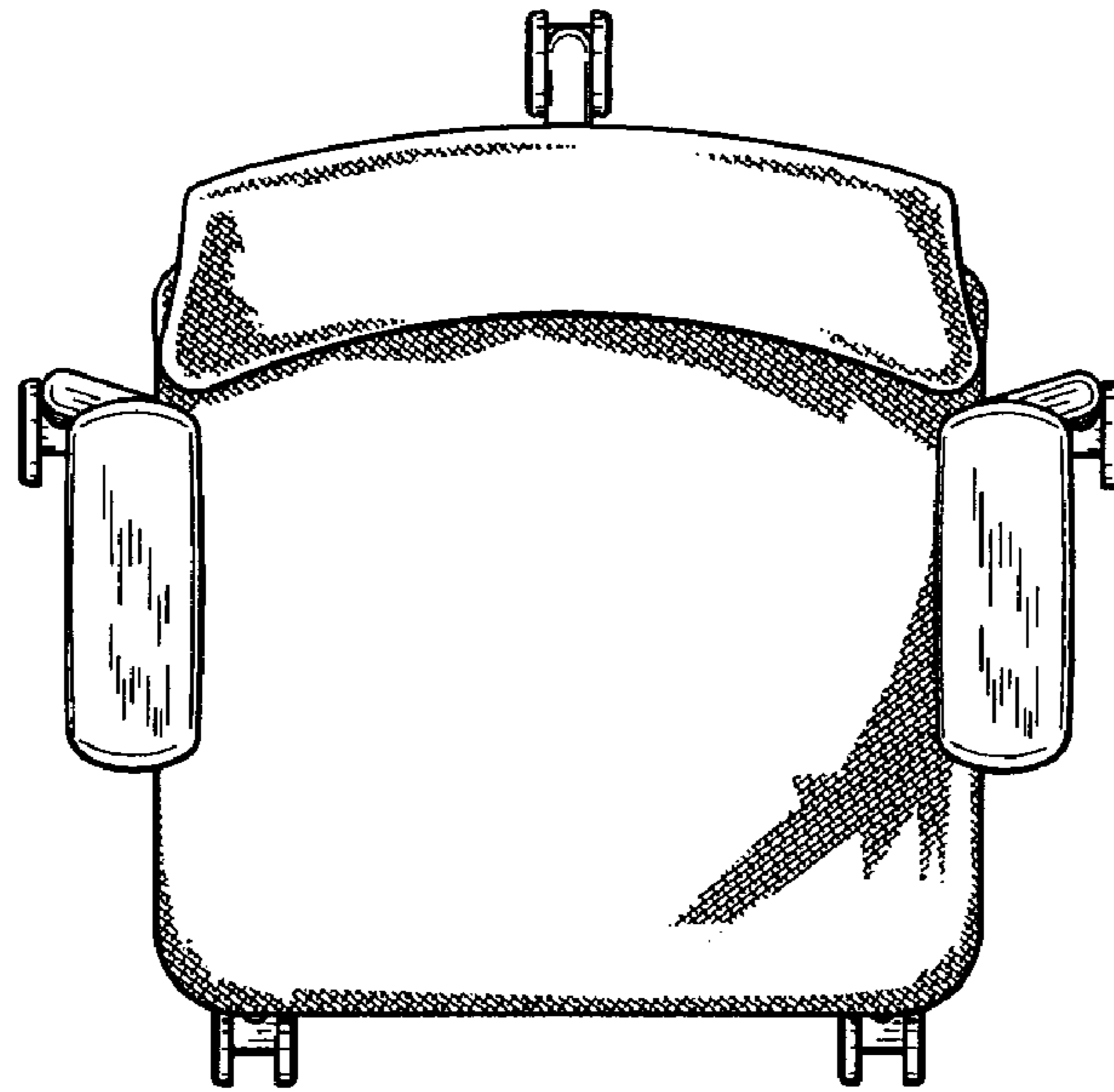


FIG. 11

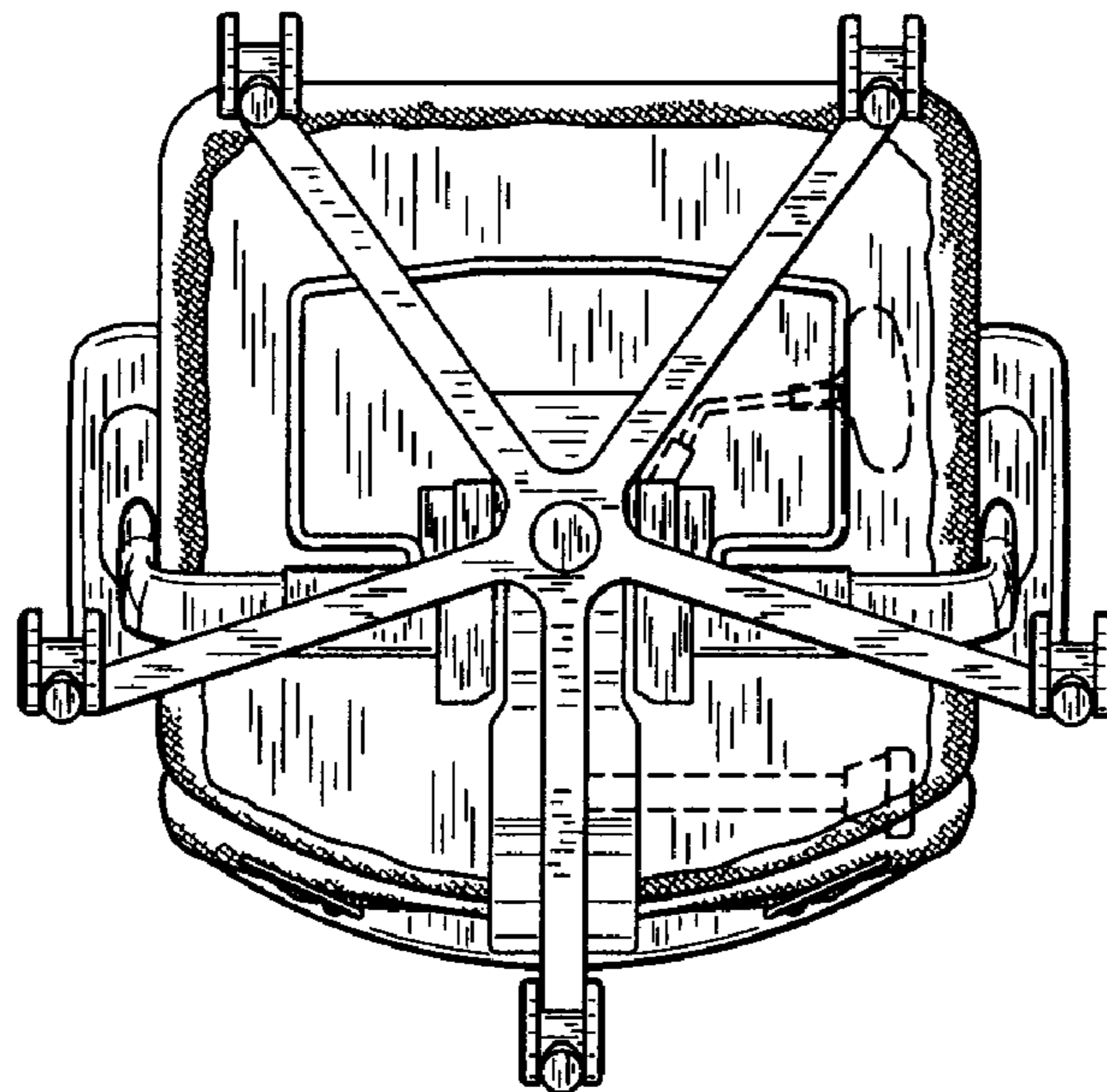


FIG. 12

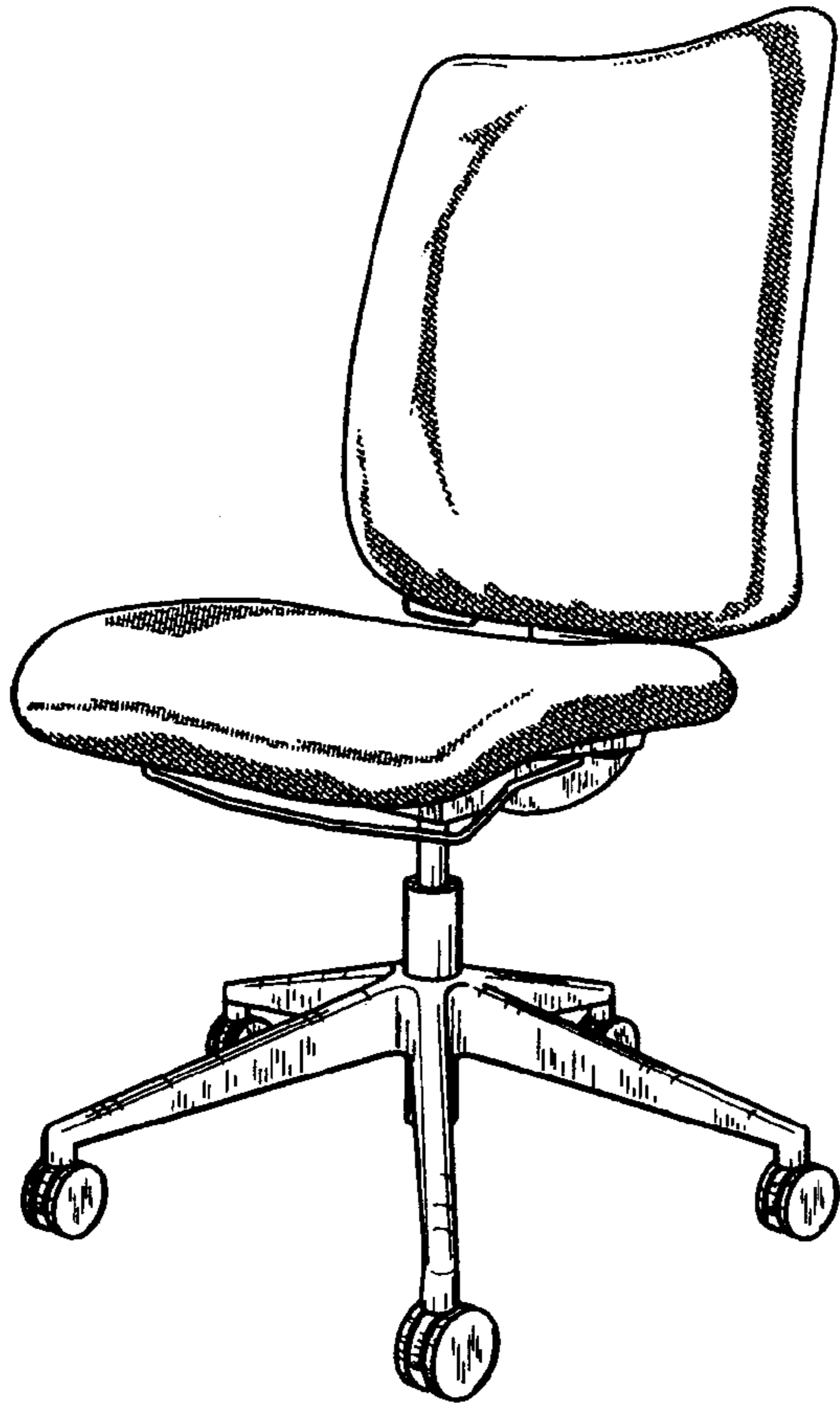


FIG. 13

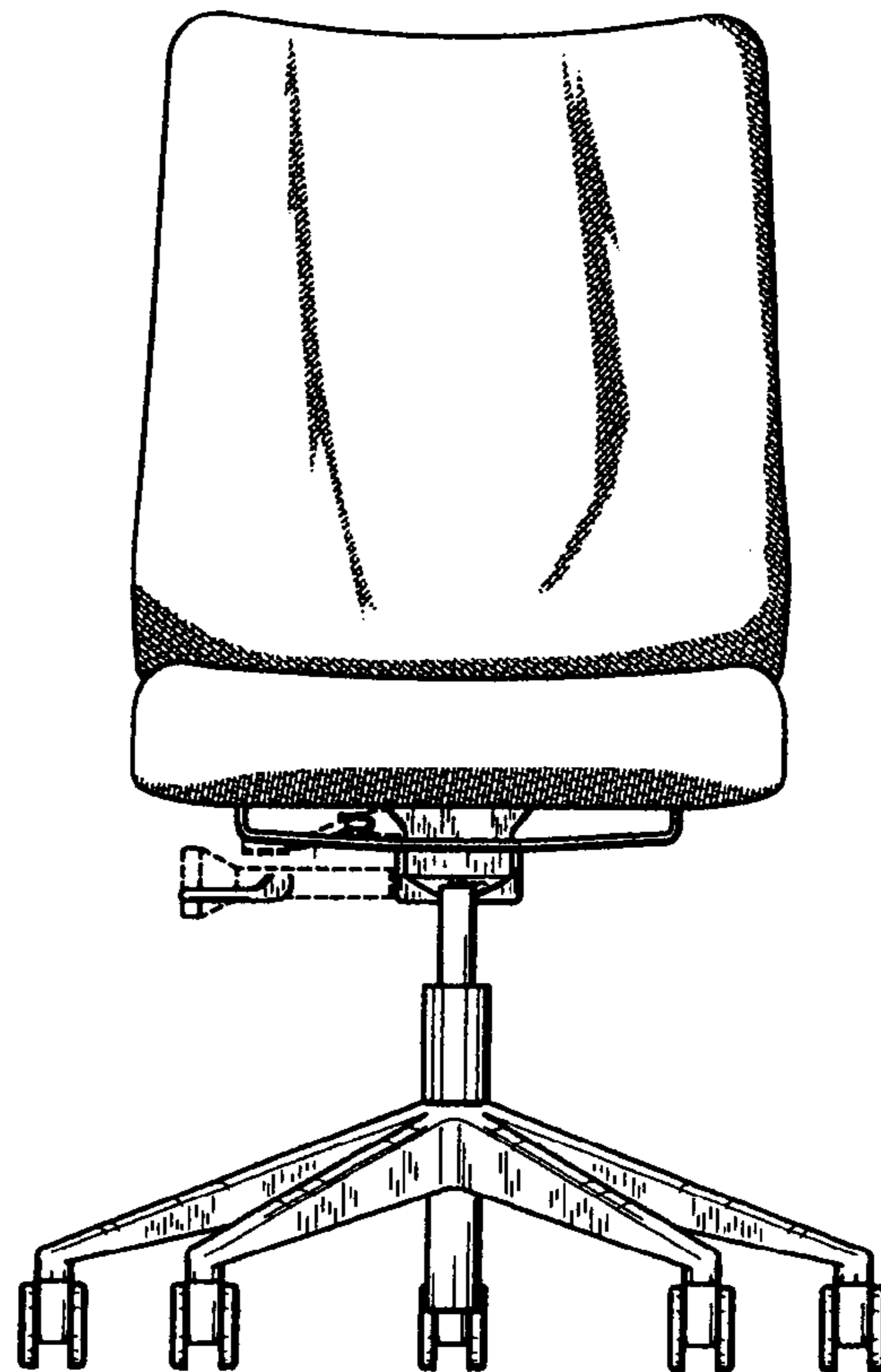


FIG. 14

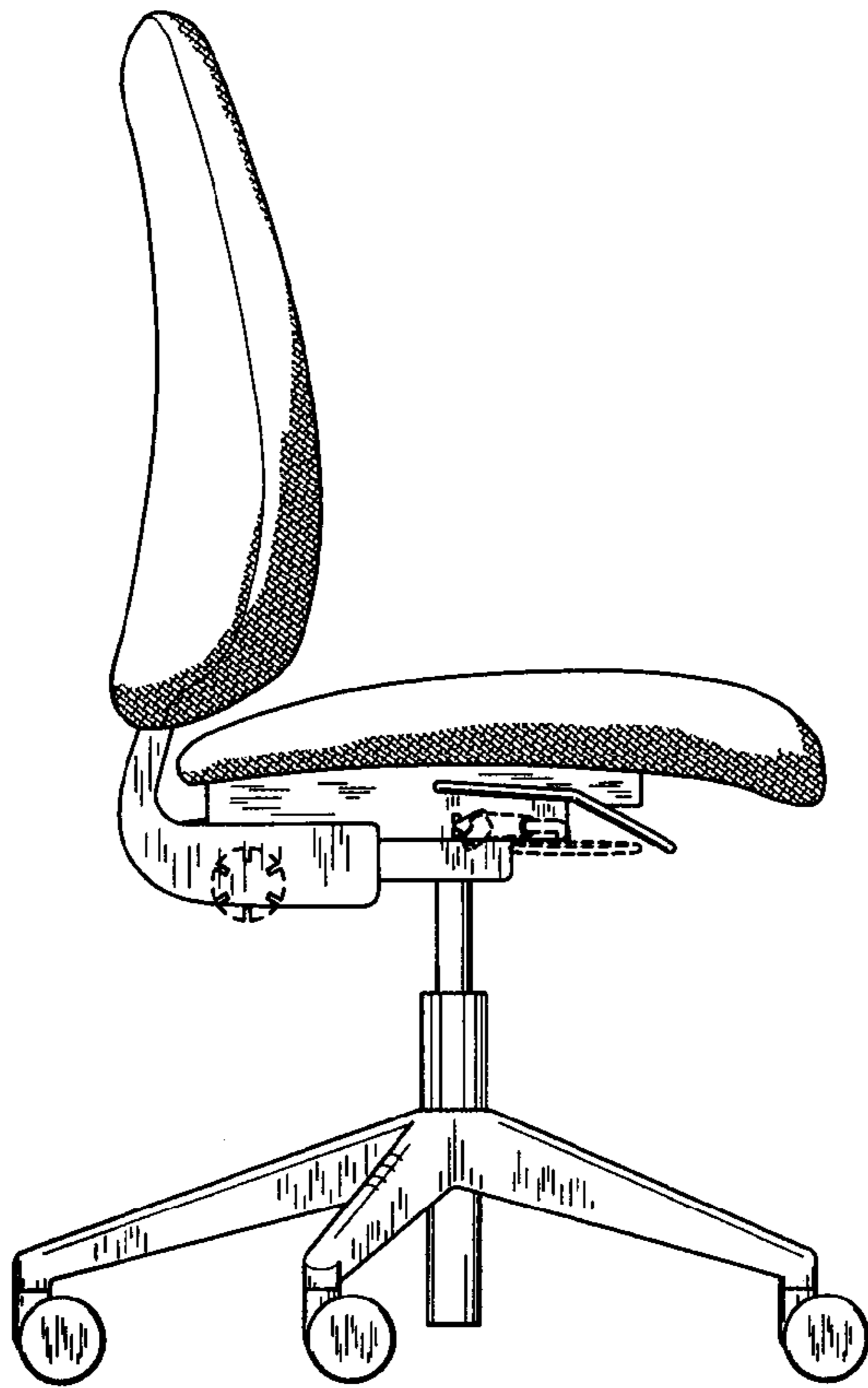


FIG. 15

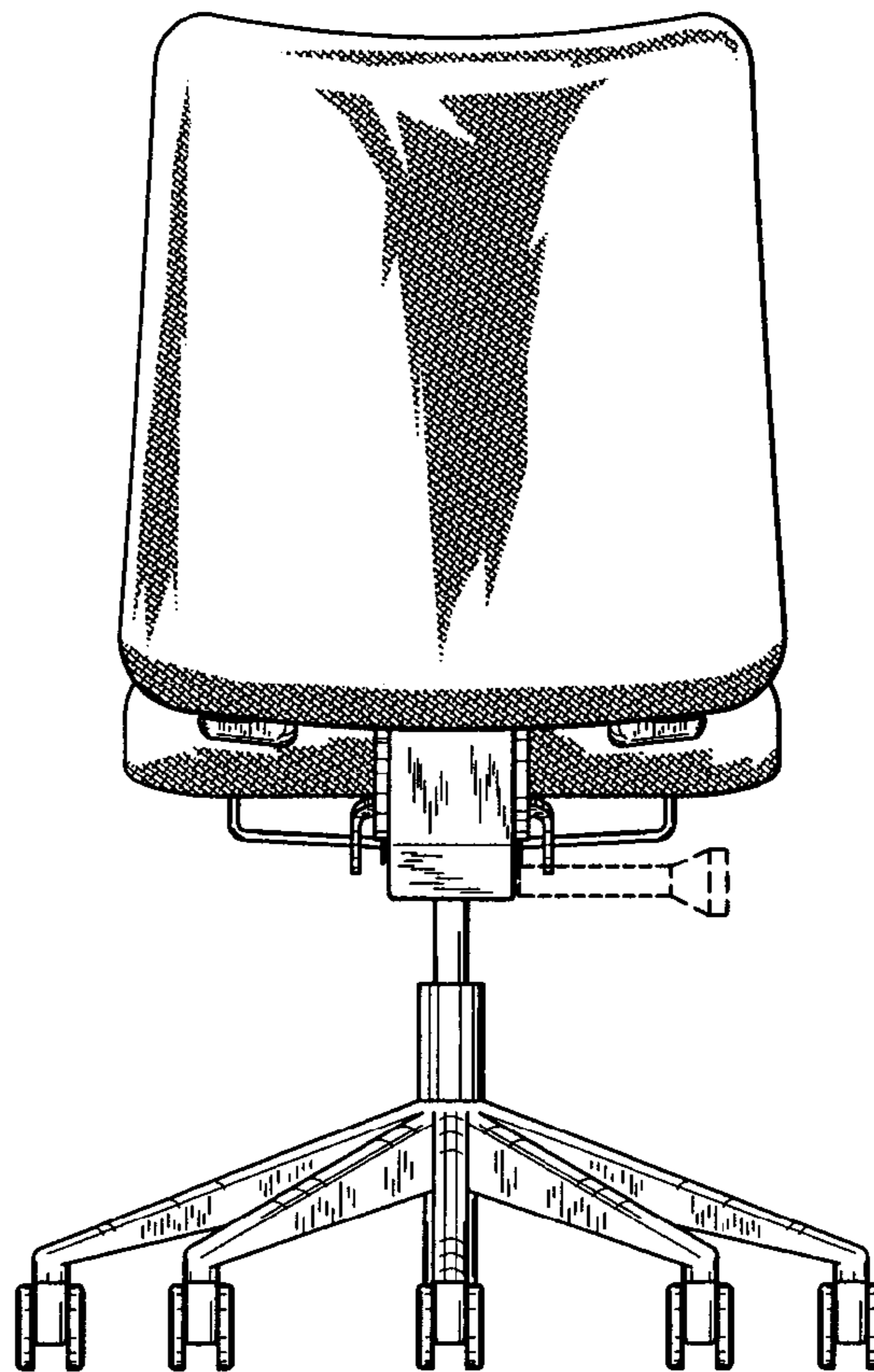


FIG. 16

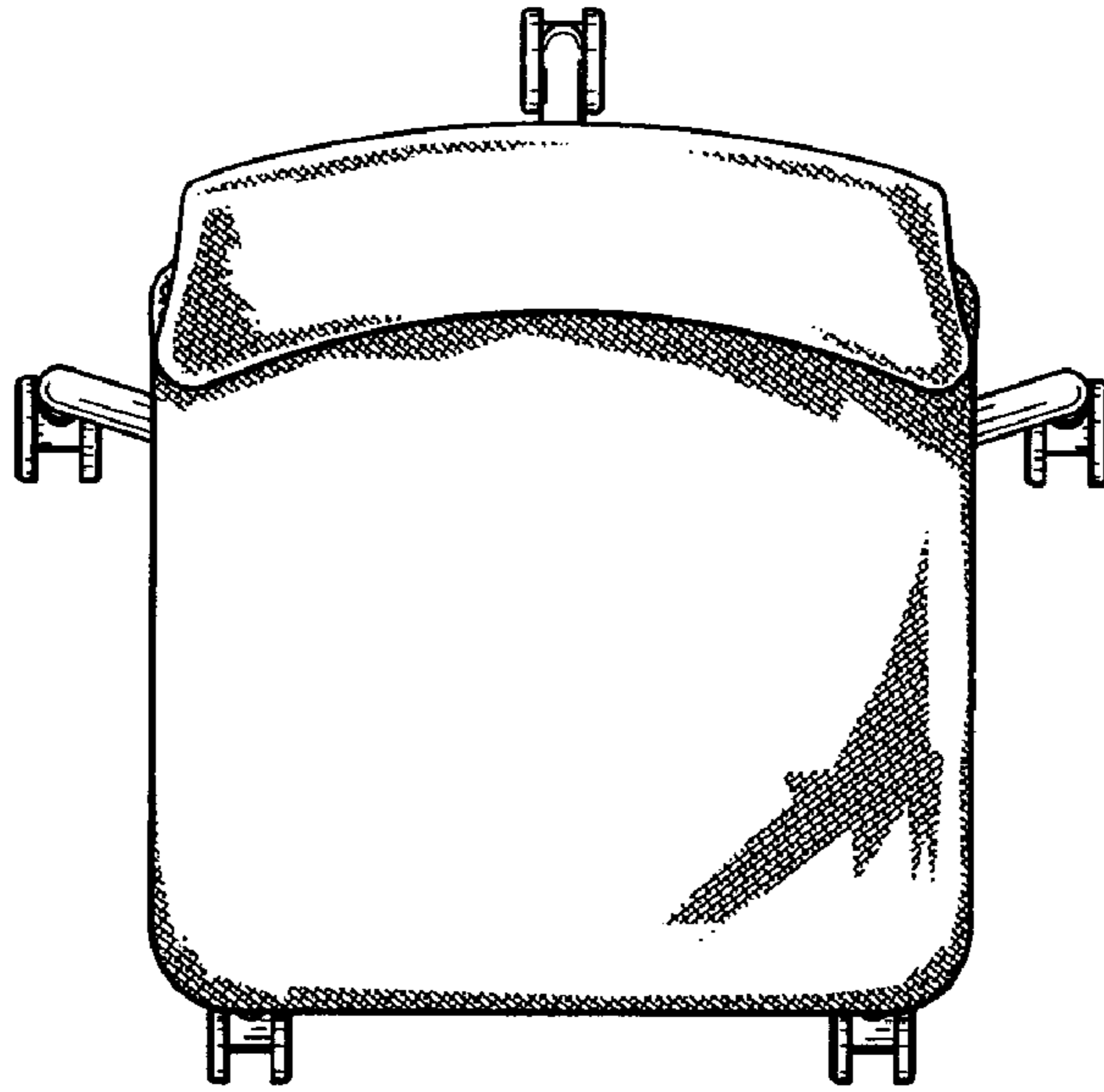


FIG. 17

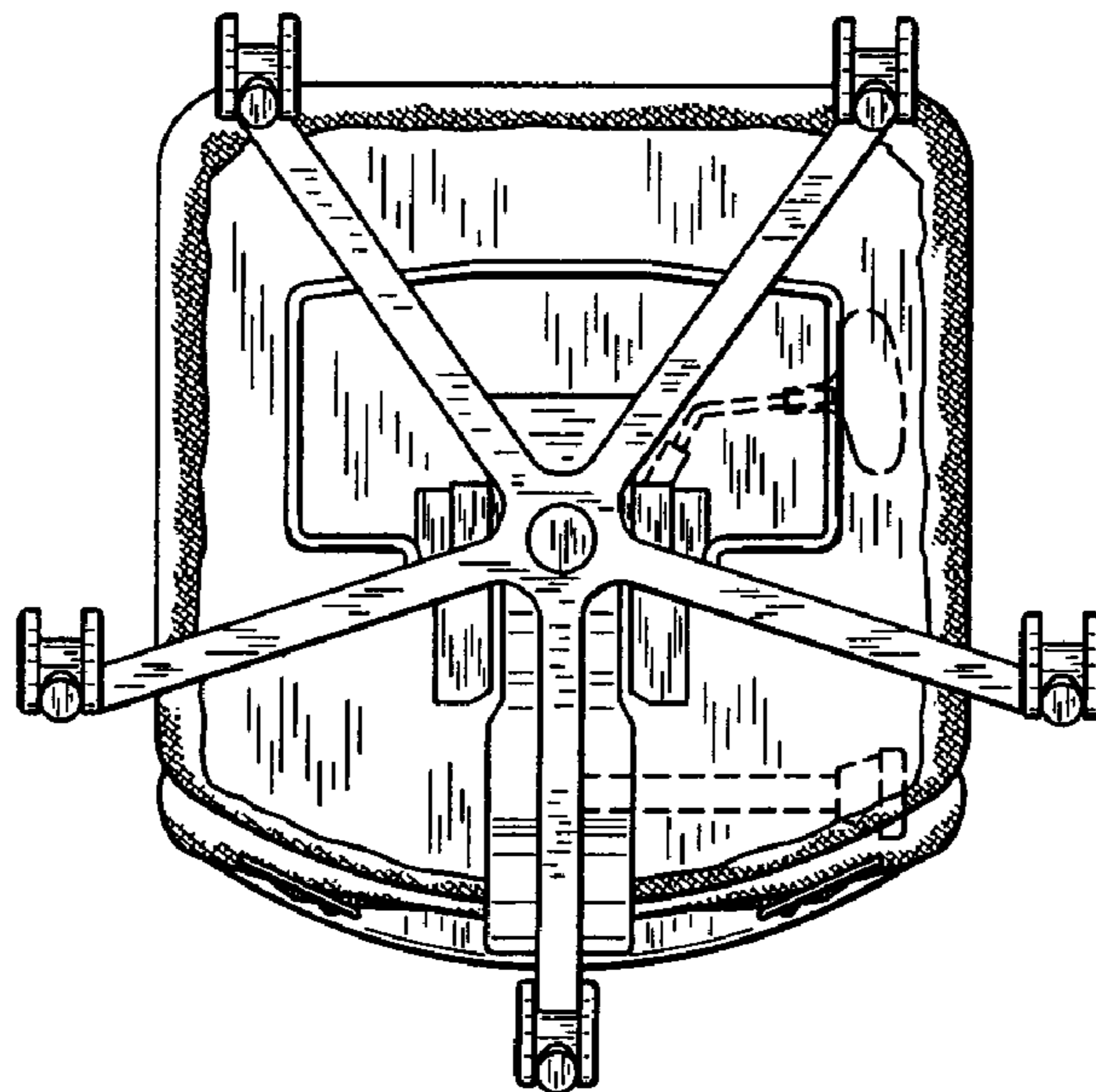


FIG. 18