

US00D558475S

(12) **United States Design Patent**  
**Rubio**

(10) **Patent No.:** **US D558,475 S**

(45) **Date of Patent:** **\*\* Jan. 1, 2008**

(54) **SEAT**

(75) Inventor: **Mario Ruiz Rubio**, Barcelona (ES)

(73) Assignee: **Estoli, S.A**, Barcelona (ES)

(\*\*) Term: **14 Years**

(21) Appl. No.: **29/231,710**

(22) Filed: **Jun. 9, 2005**

(30) **Foreign Application Priority Data**

Dec. 9, 2004 (EM) ..... 000266291-0004

(51) **LOC (8) Cl.** ..... **06-01**

(52) **U.S. Cl.** ..... **D6/355**

(58) **Field of Classification Search** ..... D6/334,  
D6/335, 336, 500, 501, 502, 362, 332, 337,  
D6/340, 349, 355, 381, 495, 499; 297/183.5,  
297/229, 350, 352, 380, 382, 16.1, 16.2,  
297/175, 423.16

See application file for complete search history.

(56) **References Cited**

**U.S. PATENT DOCUMENTS**

D29,993 S \* 1/1899 Robertson ..... D23/304

D36,208 S \* 1/1903 Pepper ..... D6/355  
D177,919 S \* 6/1956 Mints ..... D6/355  
2,852,785 A \* 9/1958 Mikola ..... 4/579  
D244,645 S \* 6/1977 Talmon et al. .... D6/356  
D375,414 S \* 11/1996 Hull et al. .... D6/334  
D513,566 S \* 1/2006 Green et al. .... D6/380

\* cited by examiner

*Primary Examiner*—Caron D. Veynar

*Assistant Examiner*—Abraham Bahta

(74) *Attorney, Agent, or Firm*—Pearl Cohen Zedek Latzer LLP

(57) **CLAIM**

The ornamental design for a seat, as shown and described.

**DESCRIPTION**

FIG. 1 is a side view of the seat, the opposite side view being identical;

FIG. 2 is a front view of the seat, the rear view being identical;

FIG. 3 is a top view of the seat; and,

FIG. 4 is a top, front, right side perspective view of the seat.

**1 Claim, 1 Drawing Sheet**

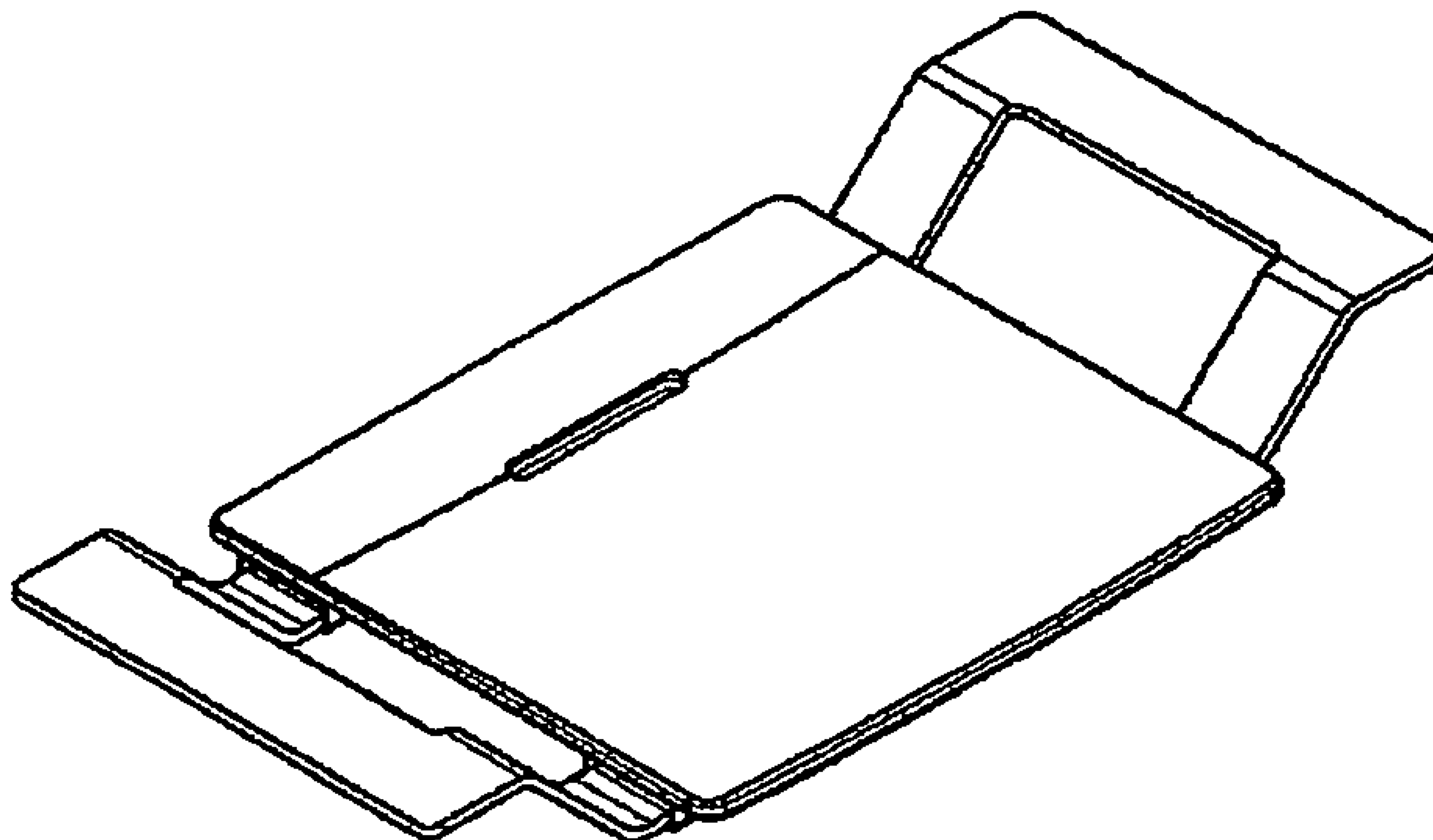




FIG. 1

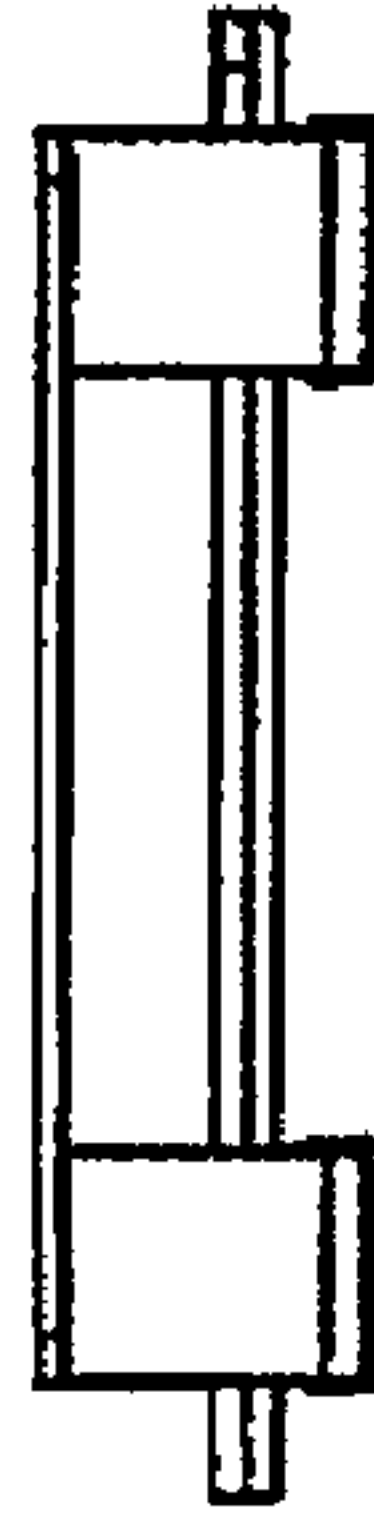


FIG. 2

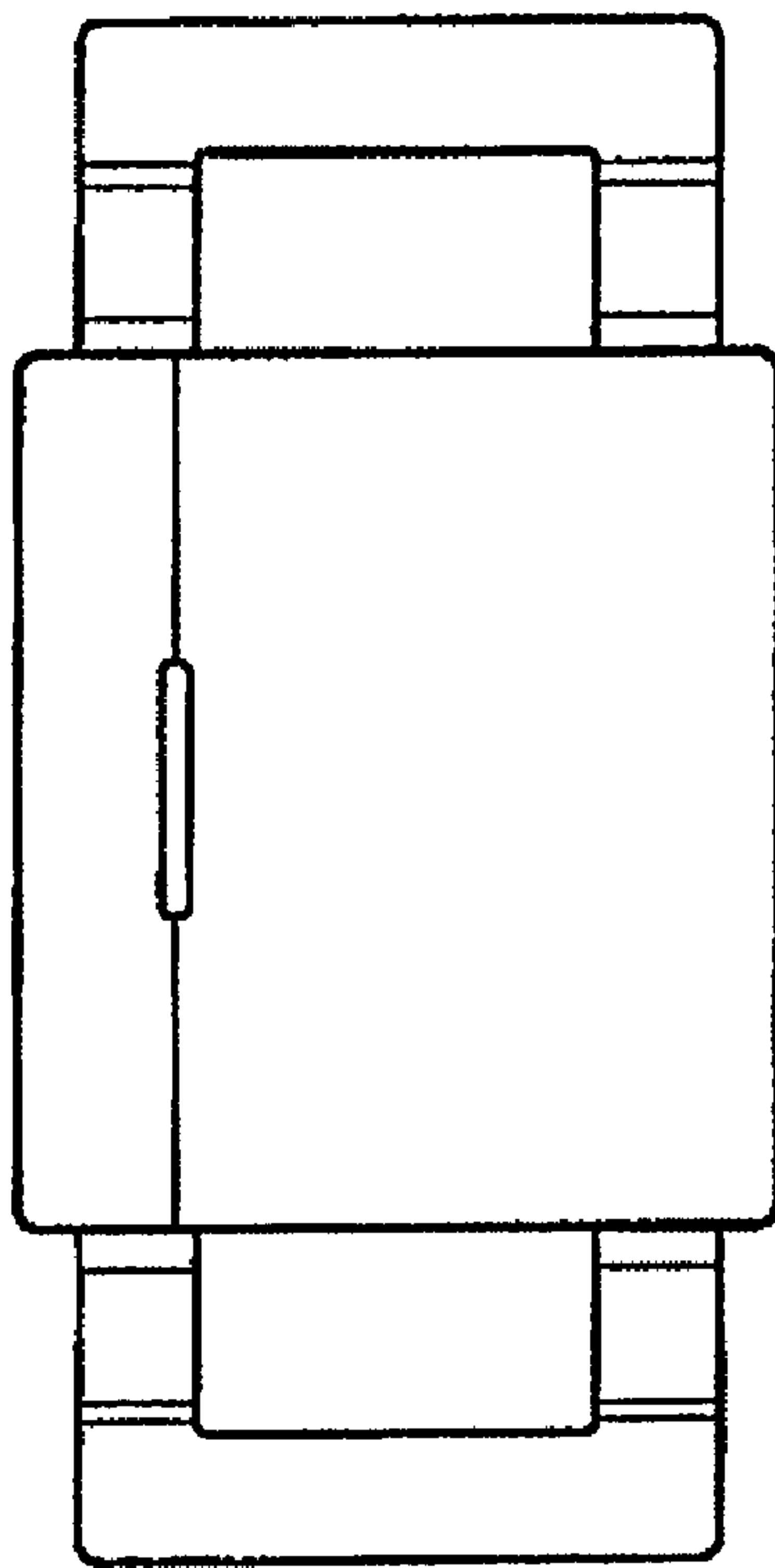


FIG. 3

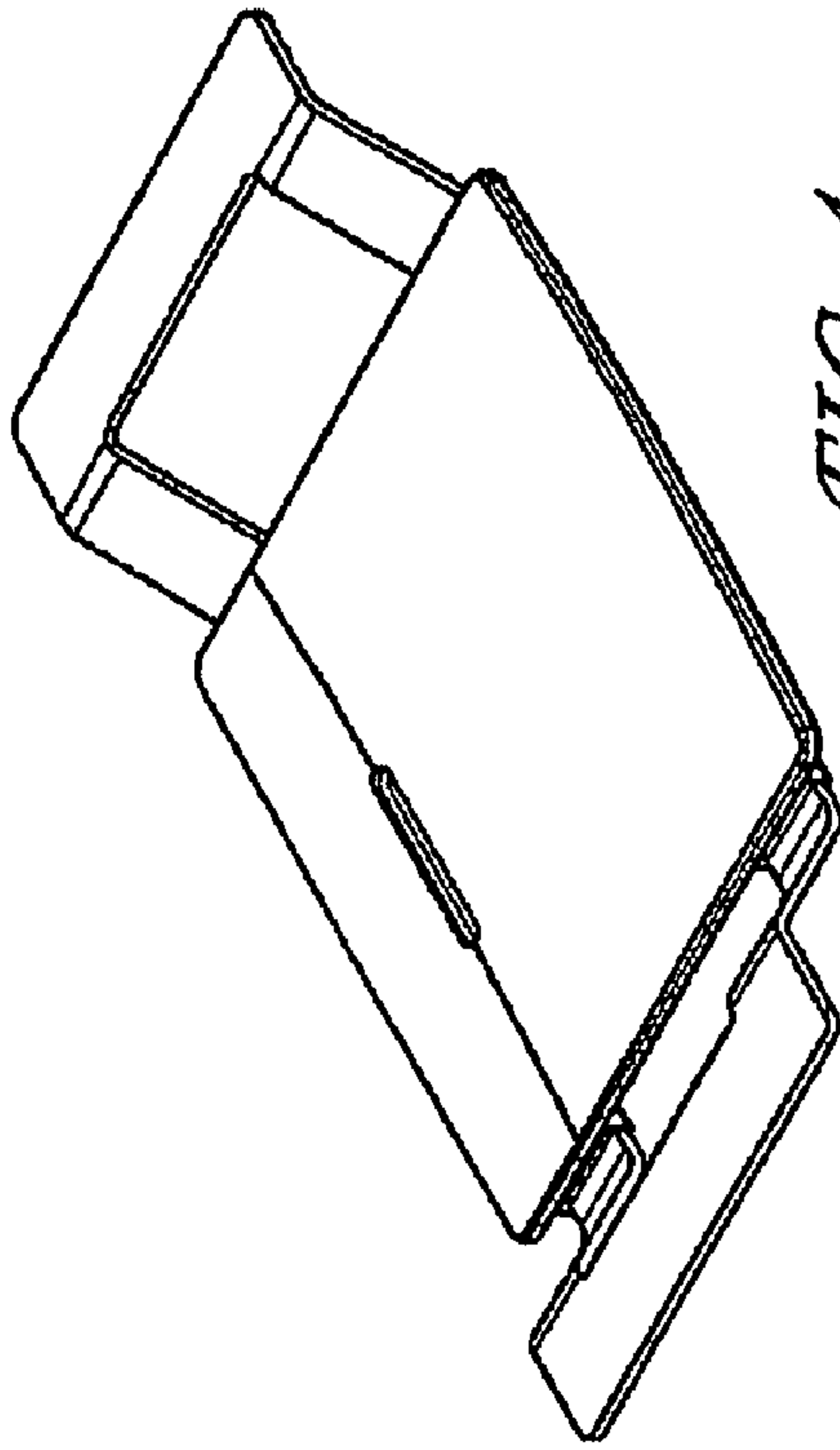


FIG. 4