



US00D558474S

(12) **United States Design Patent**  
**Kirkpatrick**

(10) **Patent No.:** **US D558,474 S**

(45) **Date of Patent:** **\*\* Jan. 1, 2008**

(54) **TABLE/STOOL**

(76) **Inventor:** **Michael Kirkpatrick**, 8 Forest La.,  
West Windsor, NJ (US) 08550

(\*\*) **Term:** **14 Years**

(21) **Appl. No.:** **29/254,393**

(22) **Filed:** **Feb. 22, 2006**

(51) **LOC (8) Cl.** ..... **06-01**

(52) **U.S. Cl.** ..... **D6/352**

(58) **Field of Classification Search** ..... D6/349-353,  
D6/355, 364, 484, 334, 500-502; 297/258.1,  
297/259.1, 440.12, 445.1, 451.4, 461-462,  
297/187

See application file for complete search history.

(56) **References Cited**

**U.S. PATENT DOCUMENTS**

- D243,306 S \* 2/1977 Moyer ..... D6/495
- D249,602 S \* 9/1978 O'Connor ..... D6/495
- 4,824,058 A \* 4/1989 Glendinning ..... 248/164

- D303,741 S \* 10/1989 Lefkowitz ..... D6/495
- D311,840 S \* 11/1990 Glendinning et al. .... D6/498
- D314,297 S \* 2/1991 Holl ..... D6/484
- 5,074,502 A \* 12/1991 Glendinning ..... 248/164
- D337,222 S \* 7/1993 Glendinning ..... D6/495
- D504,805 S \* 5/2005 Sorkin ..... D8/356

\* cited by examiner

*Primary Examiner*—Sandra Snapp

(74) *Attorney, Agent, or Firm*—Greenberg Traurig, LLP

(57) **CLAIM**

The ornamental design for a table/stool, as shown and described.

**DESCRIPTION**

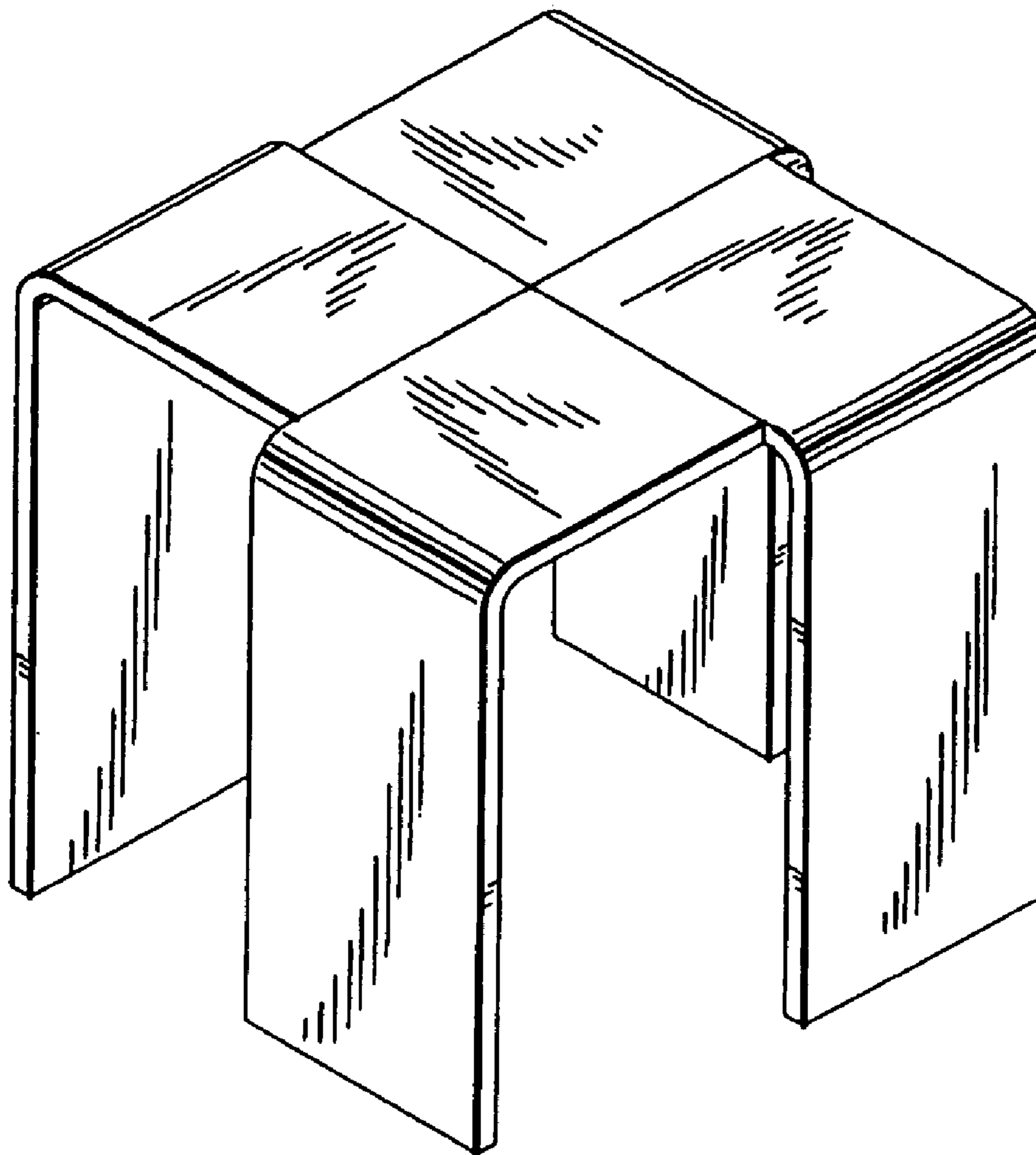
FIG. 1 is a perspective view (showing the top and front) of a table/stool in accordance with my new design;

FIG. 2 is a top view of the table/stool of FIG. 1;

FIG. 3 is a side view of the table/stool of FIG. 1; and,

FIG. 4 is a bottom view of the table/stool of FIG. 1.

**1 Claim, 2 Drawing Sheets**



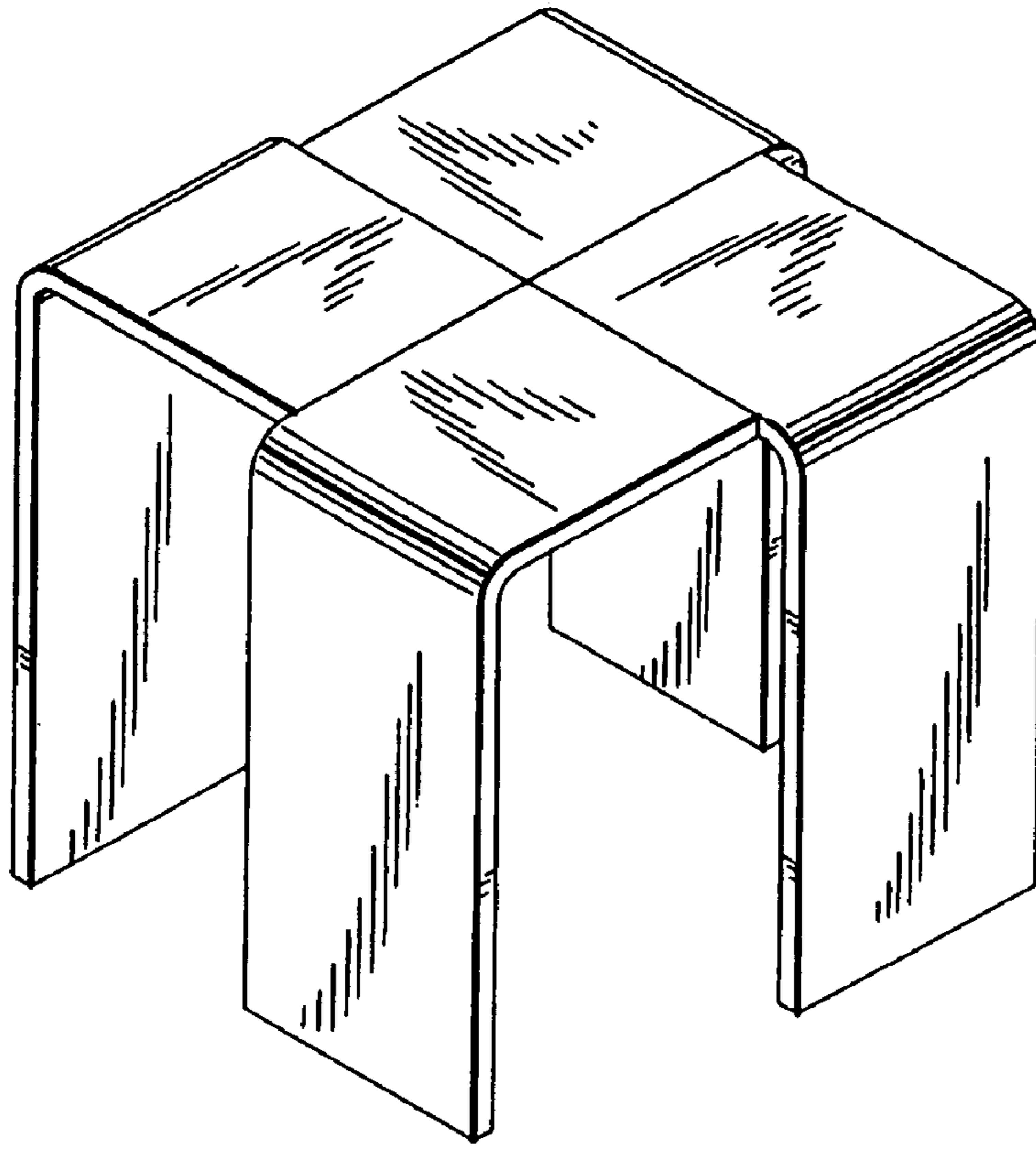


FIG. 1

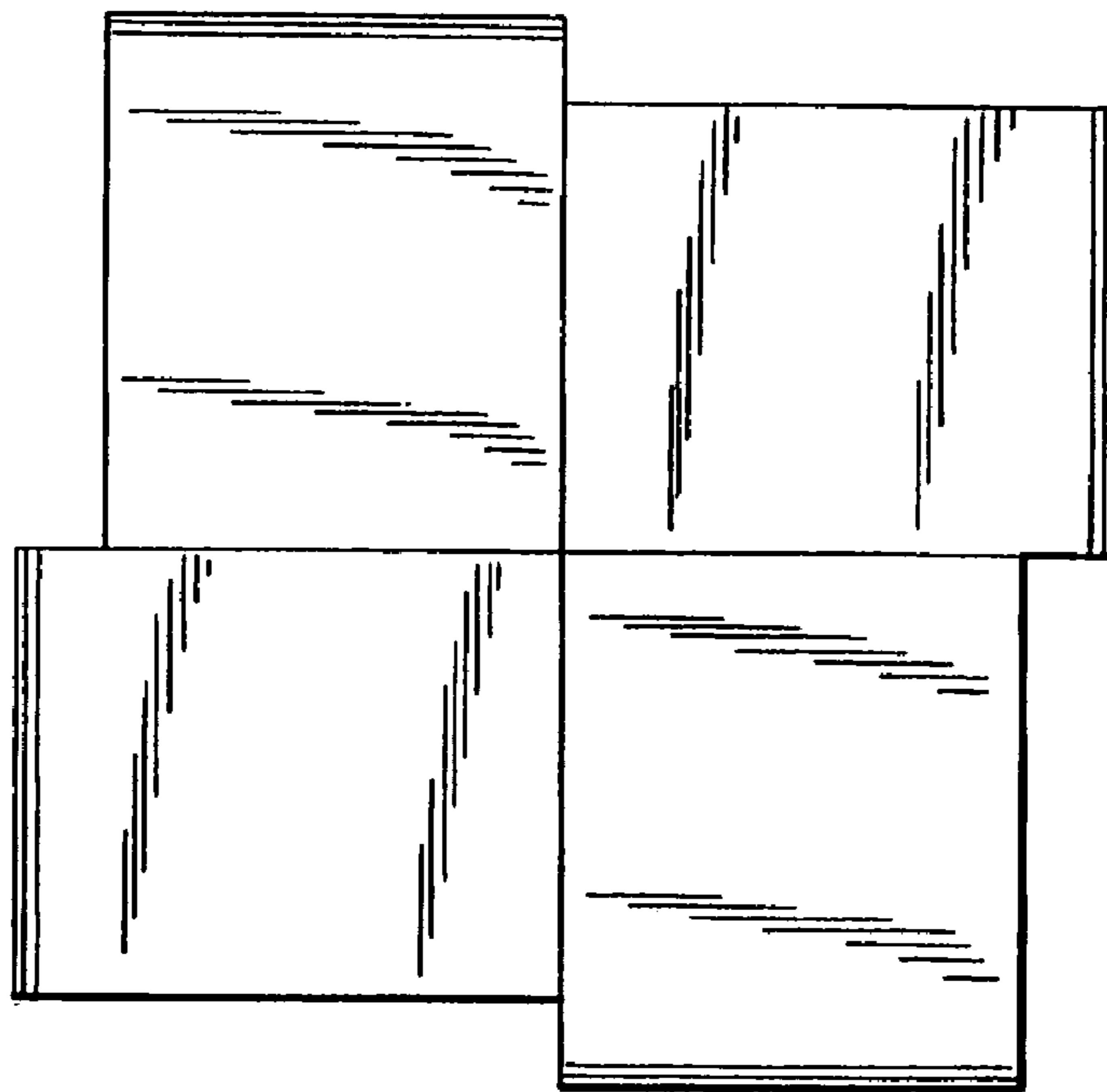


FIG. 2

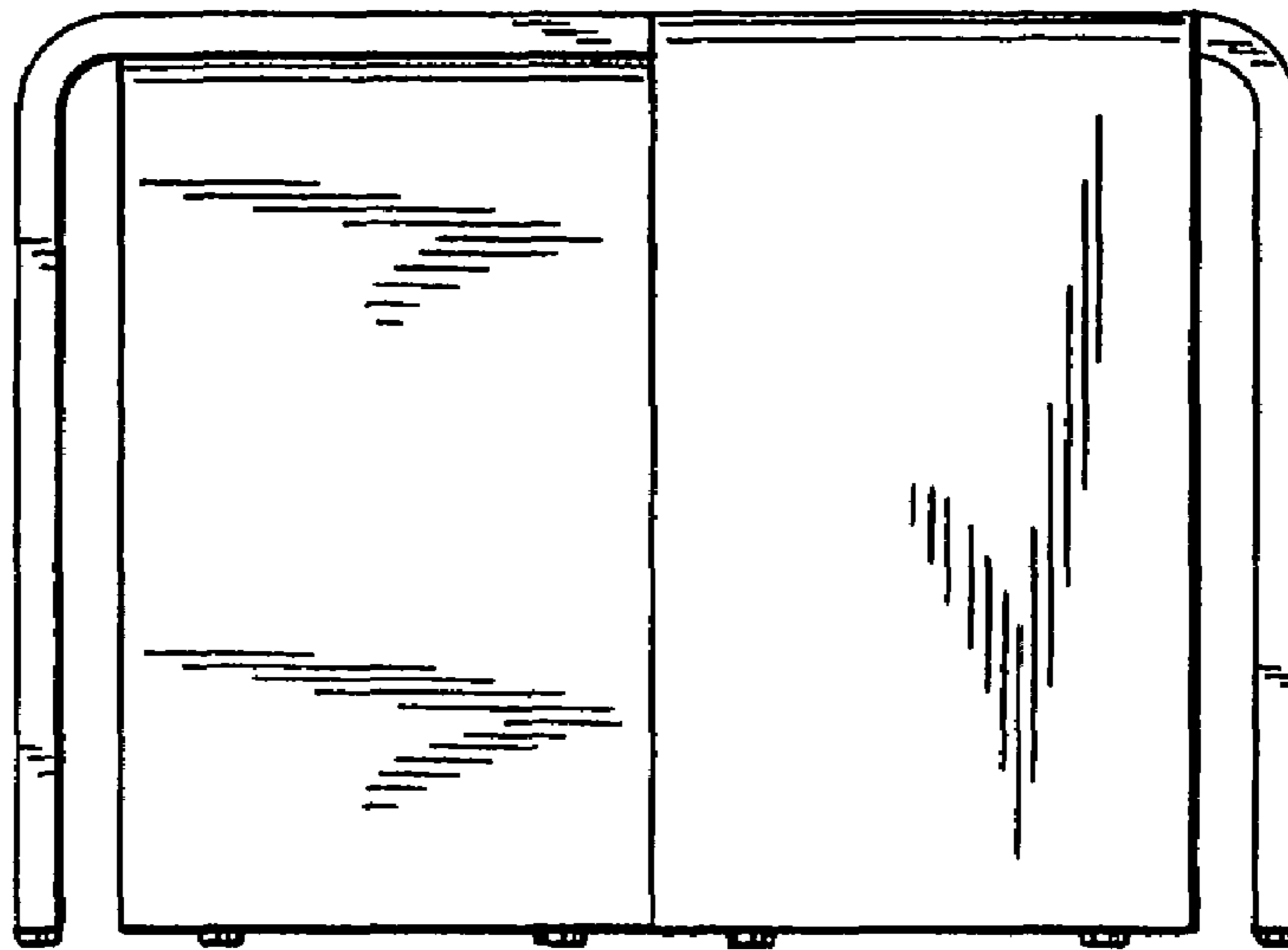


FIG. 3

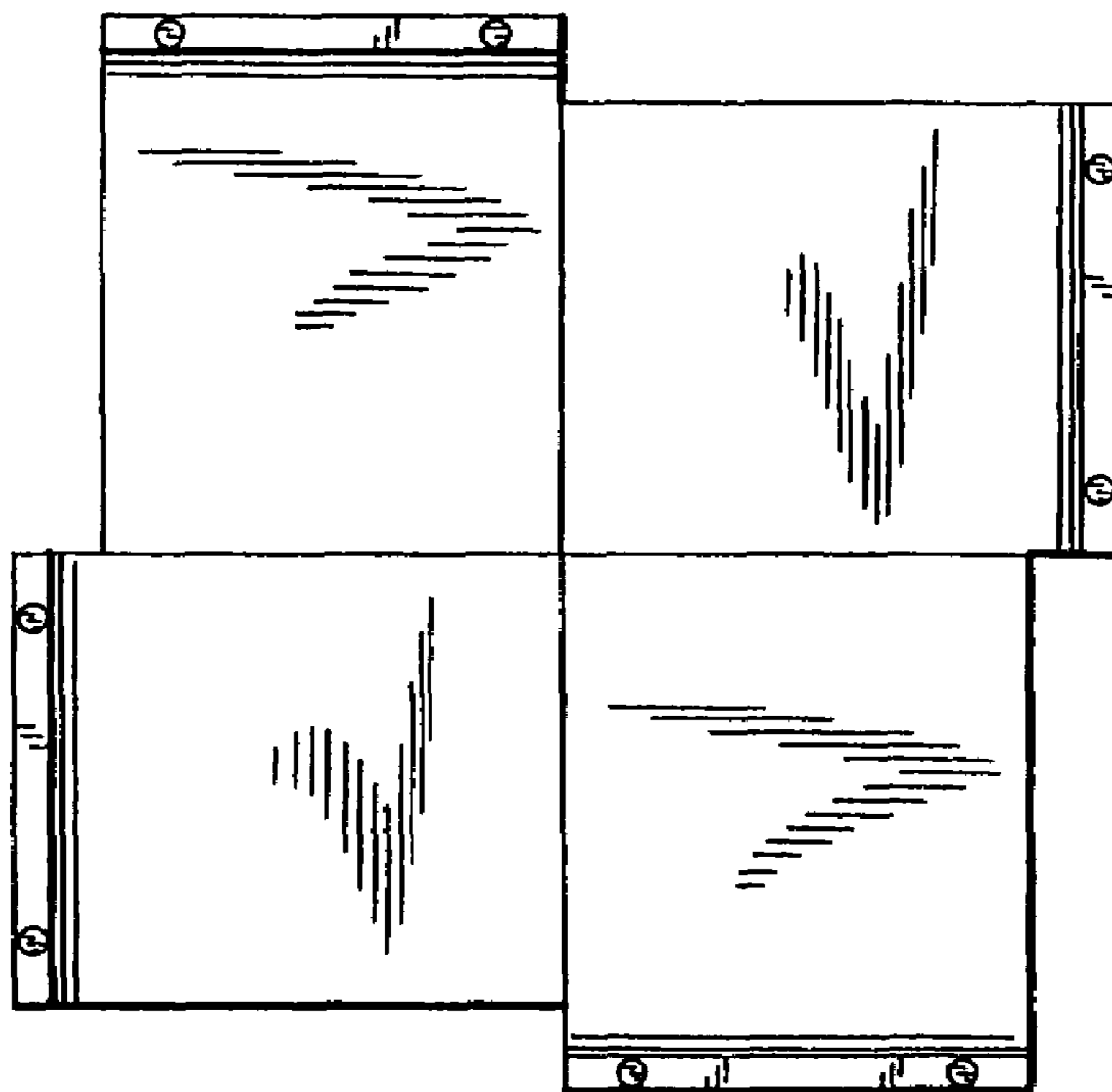


FIG. 4