



US00D558471S

(12) **United States Design Patent**
Newhouse

(10) **Patent No.:** **US D558,471 S**
(45) **Date of Patent:** **** Jan. 1, 2008**

(54) **MODULAR STUDY FURNITURE**

(75) Inventor: **Thomas J. Newhouse**, Grand Rapids, MI (US)

(73) Assignee: **The Worden Company**, Holland, MI (US)

(**) Term: **14 Years**

(21) Appl. No.: **29/247,496**

(22) Filed: **Jun. 22, 2006**

(51) **LOC (8) Cl.** **06-01**

(52) **U.S. Cl.** **D6/337**

(58) **Field of Classification Search** D6/334-338, D6/349, 355, 363, 364, 369-370, 381, 491, D6/500-502, 509, 511, 601; 297/16.1-16.2, 297/116, 135, 154, 187, 158.3, 158.4, 158.5, 297/184.1, 232, 244, 411.37, 440.1, 445.1; 5/12.1, 655.3

See application file for complete search history.

(56) **References Cited**

U.S. PATENT DOCUMENTS

D83,569 S *	3/1931	Platter	D6/335
D183,772 S *	10/1958	Simpson	D25/56
2,947,348 A	8/1960	Peckham	
D190,904 S *	7/1961	Kasparian	D6/336
3,632,161 A	1/1972	Arfaras et al.	
D260,058 S *	8/1981	Ponzellini	D6/336
D260,059 S *	8/1981	Vorwerck	D6/347
4,428,616 A	1/1984	Hamilton	
4,944,552 A	7/1990	Harris	
5,026,114 A	6/1991	Miller	
D338,073 S *	8/1993	Wall	D25/56
5,293,825 A	3/1994	Cauffiel	

5,372,403 A	12/1994	Puerto	
D361,437 S *	8/1995	Sacchi Lodispoto	D6/336
5,547,247 A	8/1996	Dixon	
5,630,642 A	5/1997	Grimmett et al.	
5,799,964 A	9/1998	Chao	
D415,573 S *	10/1999	Chipman et al.	D25/56
D420,812 S *	2/2000	Chipman et al.	D6/335
6,032,587 A	3/2000	Salenbauch et al.	
D438,635 S *	3/2001	Da Costa	D25/1
6,237,994 B1	5/2001	Bentley et al.	
6,585,319 B2 *	7/2003	Tseng	297/281
D484,709 S *	1/2004	Cronk et al.	D6/336
7,017,988 B2	3/2006	Tornero et al.	

FOREIGN PATENT DOCUMENTS

EP 1 172 252 A1 1/2002

* cited by examiner

Primary Examiner—Sandra Snapp
(74) *Attorney, Agent, or Firm*—McGarry Bair PC

(57) **CLAIM**

The ornamental design for modular study furniture, as shown and described.

DESCRIPTION

FIG. 1 is a perspective view of the ornamental design for modular study furniture according to the invention;

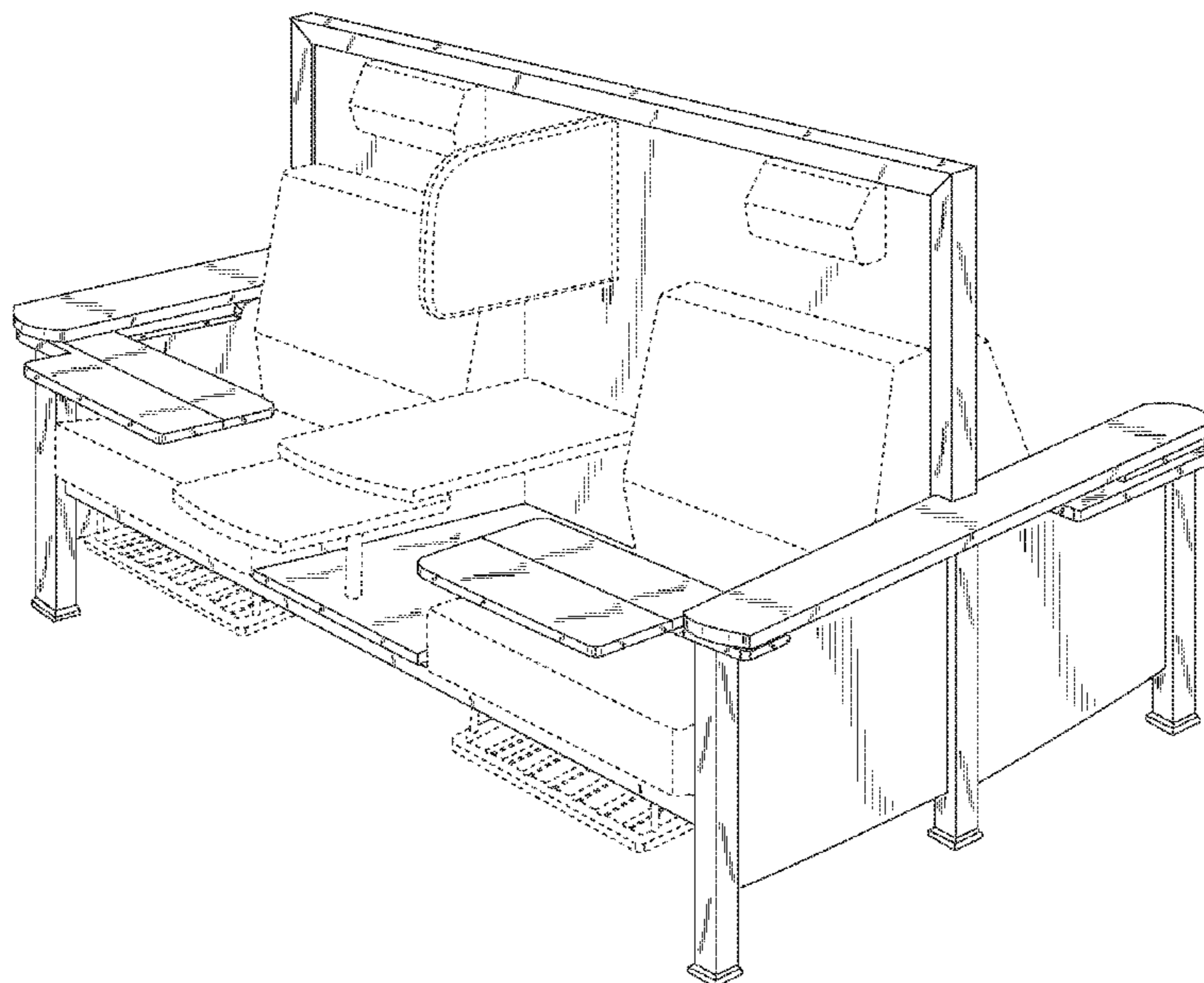
FIG. 2 is a front view thereof;

FIG. 3 is a side view thereof; and,

FIG. 4 is a top view thereof.

The material shown in dotted lines is for illustrative purposes only and forms no part of the claimed design.

1 Claim, 4 Drawing Sheets



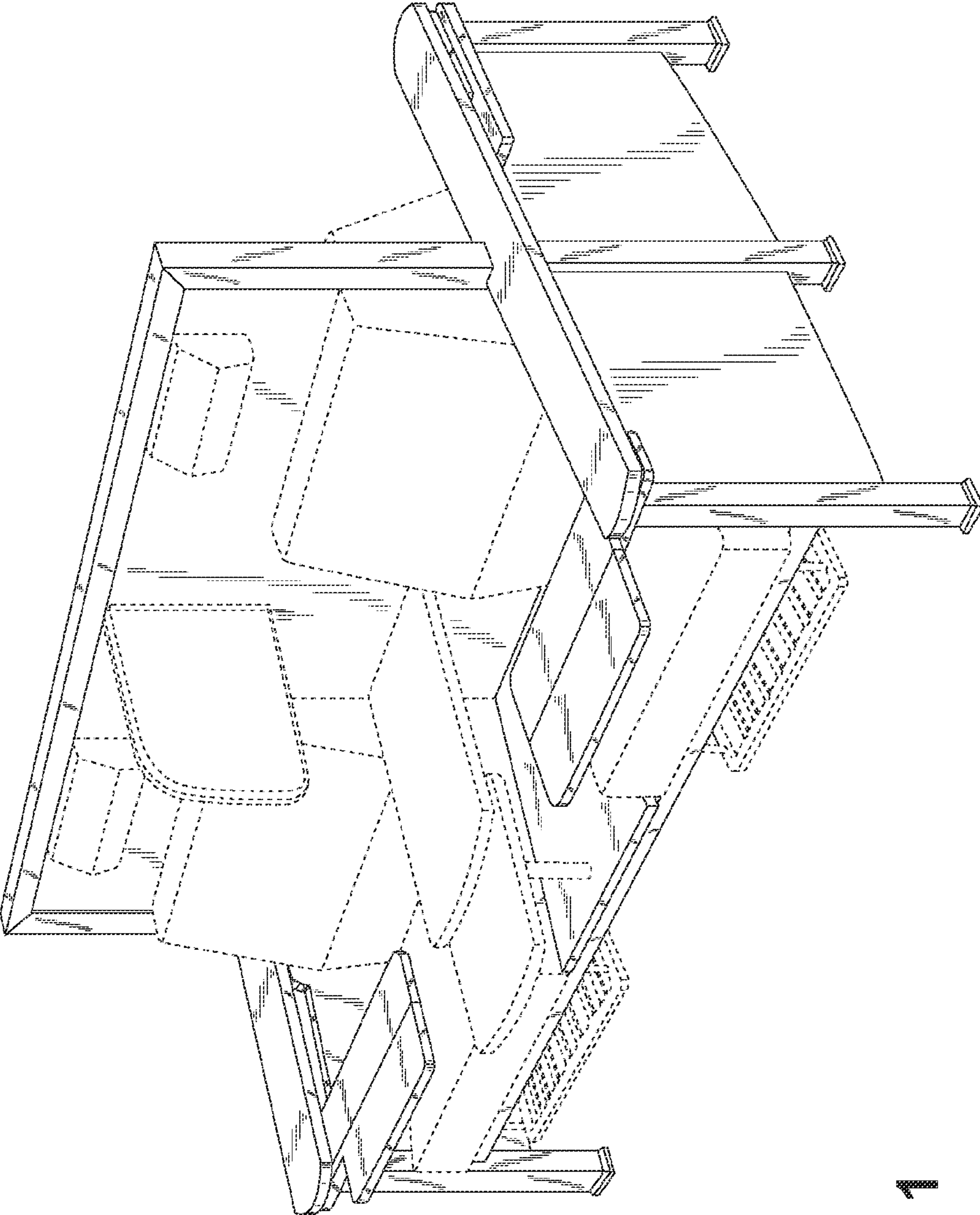


Fig. 1

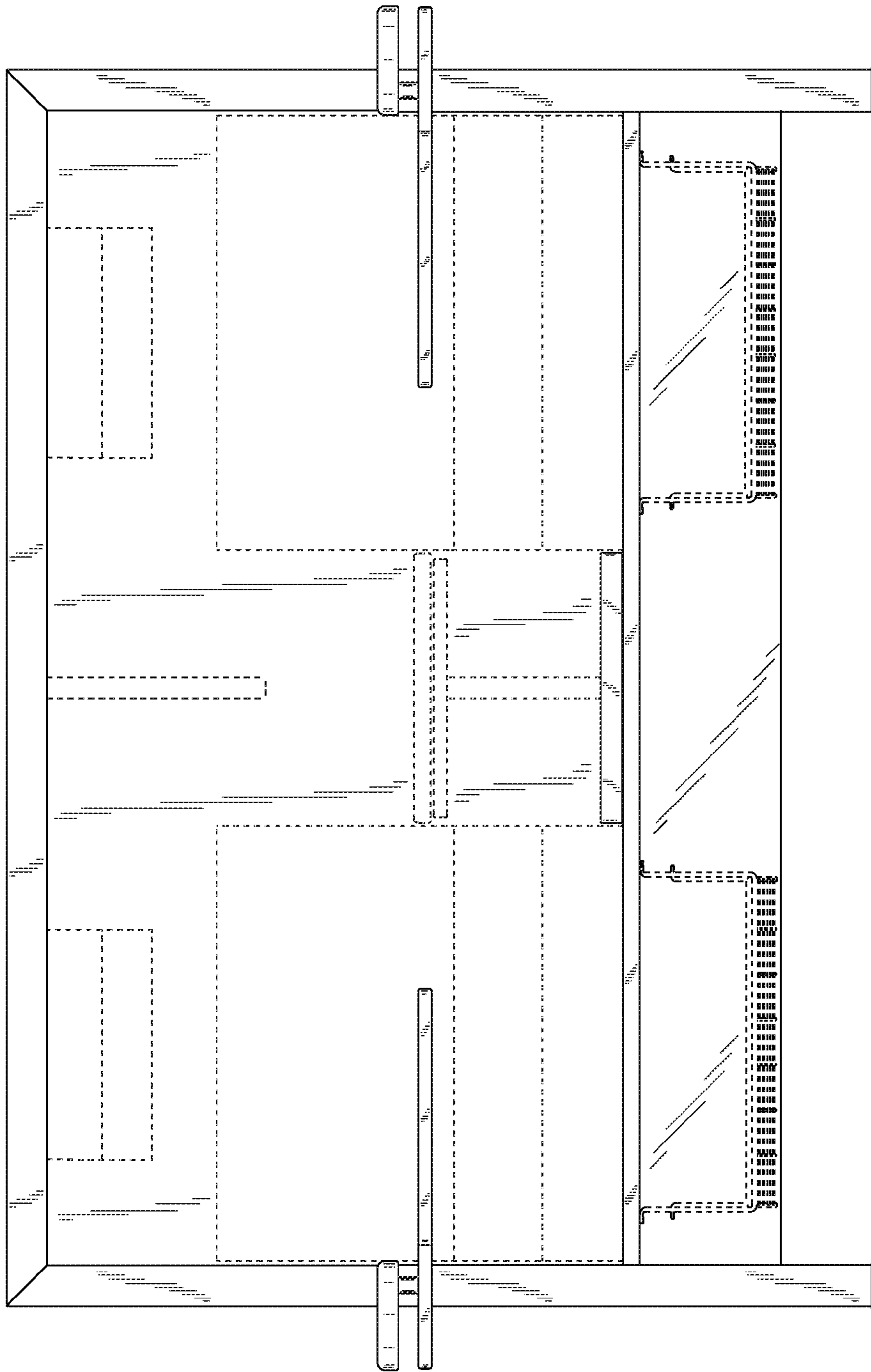


Fig. 2

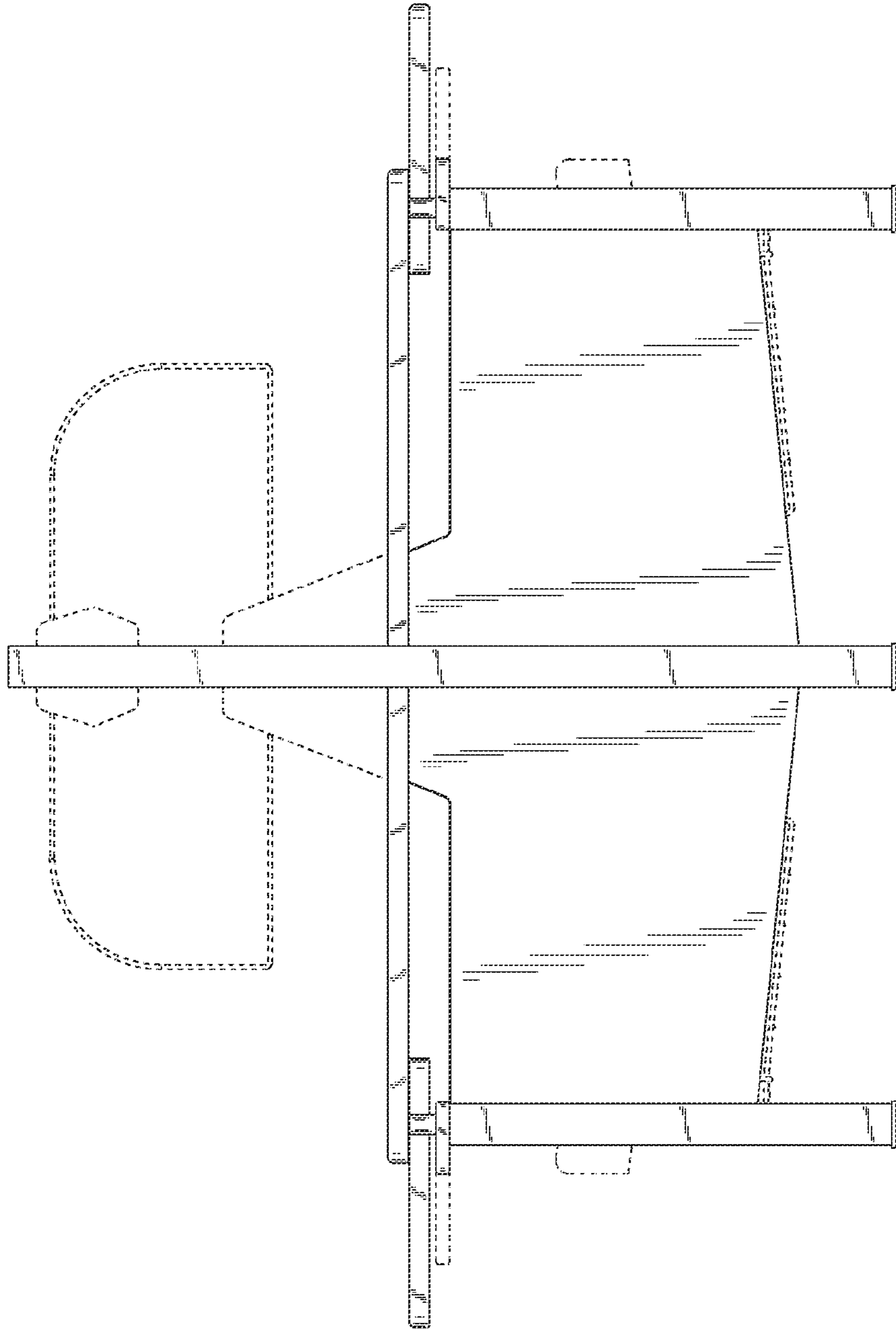


Fig. 3

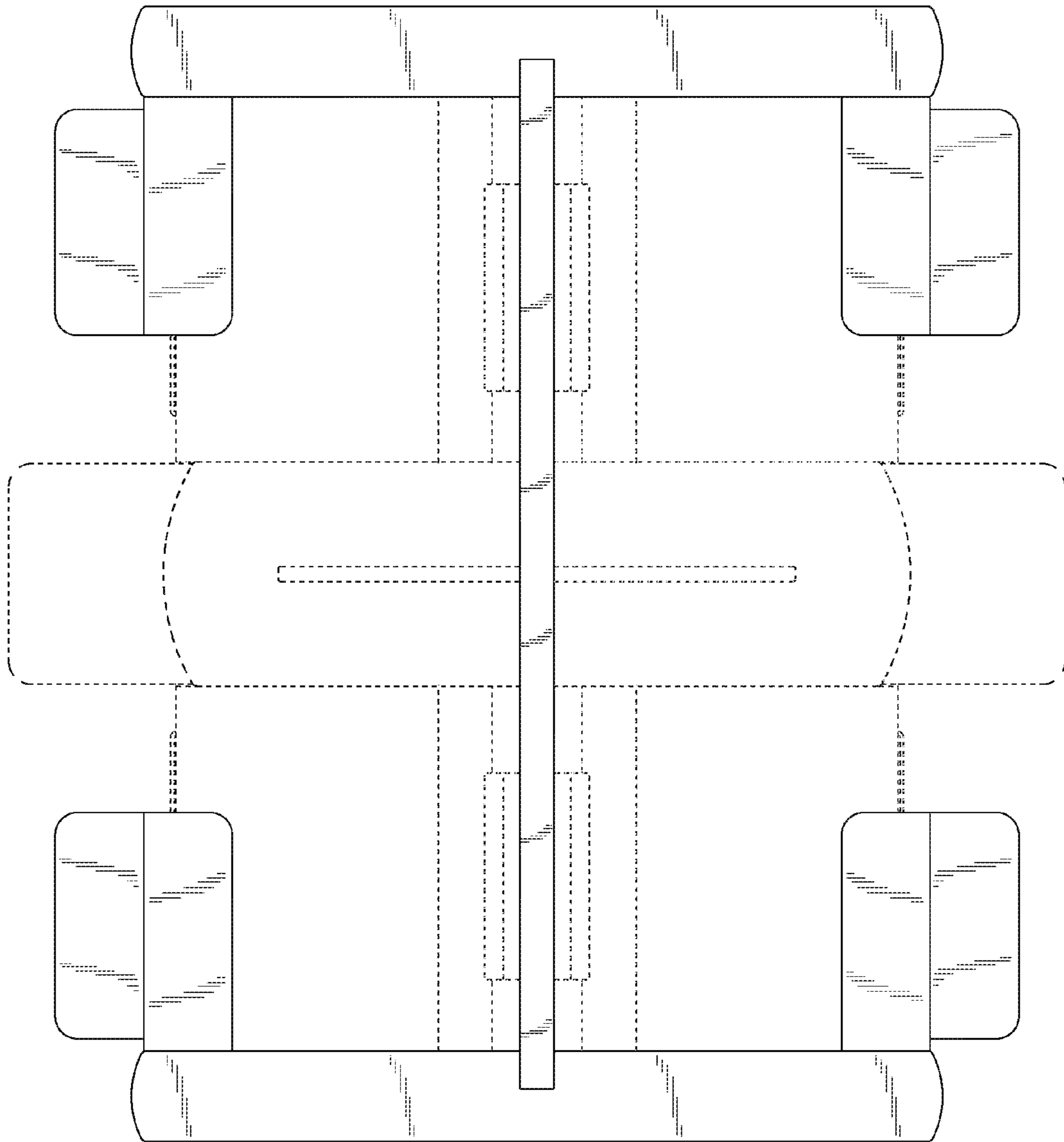


Fig. 4