



US00D558470S

(12) **United States Design Patent** (10) **Patent No.:** **US D558,470 S**
Williams et al. (45) **Date of Patent:** **** Jan. 1, 2008**

(54) **FOLDING, PORTABLE KNEEL/SIT STOOL**

(57) **CLAIM**

(75) Inventors: **Hugo A Y Williams**, Dedham, MA (US); **Tim Golnik**, Georgetown, MA (US)

The ornamental design for a folding, portable kneel/sit stool, as shown and described.

(73) Assignee: **Hugo Williams**, Dedham, MA (US)

DESCRIPTION

(**) Term: **14 Years**

FIG. 1 is a perspective view of a folding, portable kneel/sit stool, showing my new design in a folded configuration;

(21) Appl. No.: **29/277,883**

FIG. 2 is a front elevational view of the invention, illustrated in the folded configuration;

(22) Filed: **Mar. 13, 2007**

FIG. 3 is a rear elevational view of the invention, illustrated in the folded configuration;

(51) **LOC (8) Cl.** **06-01**

FIG. 4 is a left-side elevational view of the invention, illustrated in the folded configuration;

(52) **U.S. Cl.** **D6/335**

FIG. 5 is a right-side elevational view of the invention, illustrated in the folded configuration;

(58) **Field of Classification Search** D6/333-336, D6/339-341, 344, 381, 491, 330, 500-502, D6/354, 375, 349; 297/255; 5/12.1, 16.1, 5/16.2, 655.3

FIG. 6 is a top plan view of the invention, illustrated in the folded configuration;

See application file for complete search history.

FIG. 7 is a bottom plan view of the invention, illustrated in the folded configuration;

(56) **References Cited**

FIG. 8 is a perspective view of the invention, illustrated in an unfolded configuration;

U.S. PATENT DOCUMENTS

FIG. 9 is a front elevational view of the invention, illustrated in the unfolded configuration;

D271,727 S *	12/1983	Opsvik	D6/334
D283,378 S *	4/1986	Opsvik	D6/366
D283,858 S *	5/1986	Opsvik	D6/366
D292,453 S *	10/1987	Opsvik	D6/335
D292,756 S *	11/1987	Opsvik	D6/335
D292,853 S *	11/1987	Opsvik	D6/335
D295,119 S *	4/1988	Gusrud	D6/330
D296,959 S *	8/1988	Gusrud	D6/330
D339,012 S *	9/1993	Sexton	D6/501
D343,067 S *	1/1994	Pass	D6/330
D348,568 S *	7/1994	Landry	D6/330

FIG. 10 is a rear elevational view of the invention, illustrated in the unfolded configuration;

FIG. 11 is a left-side elevational view of the invention, illustrated in the unfolded configuration;

FIG. 12 is a right-side elevational view of the invention, illustrated in the unfolded configuration;

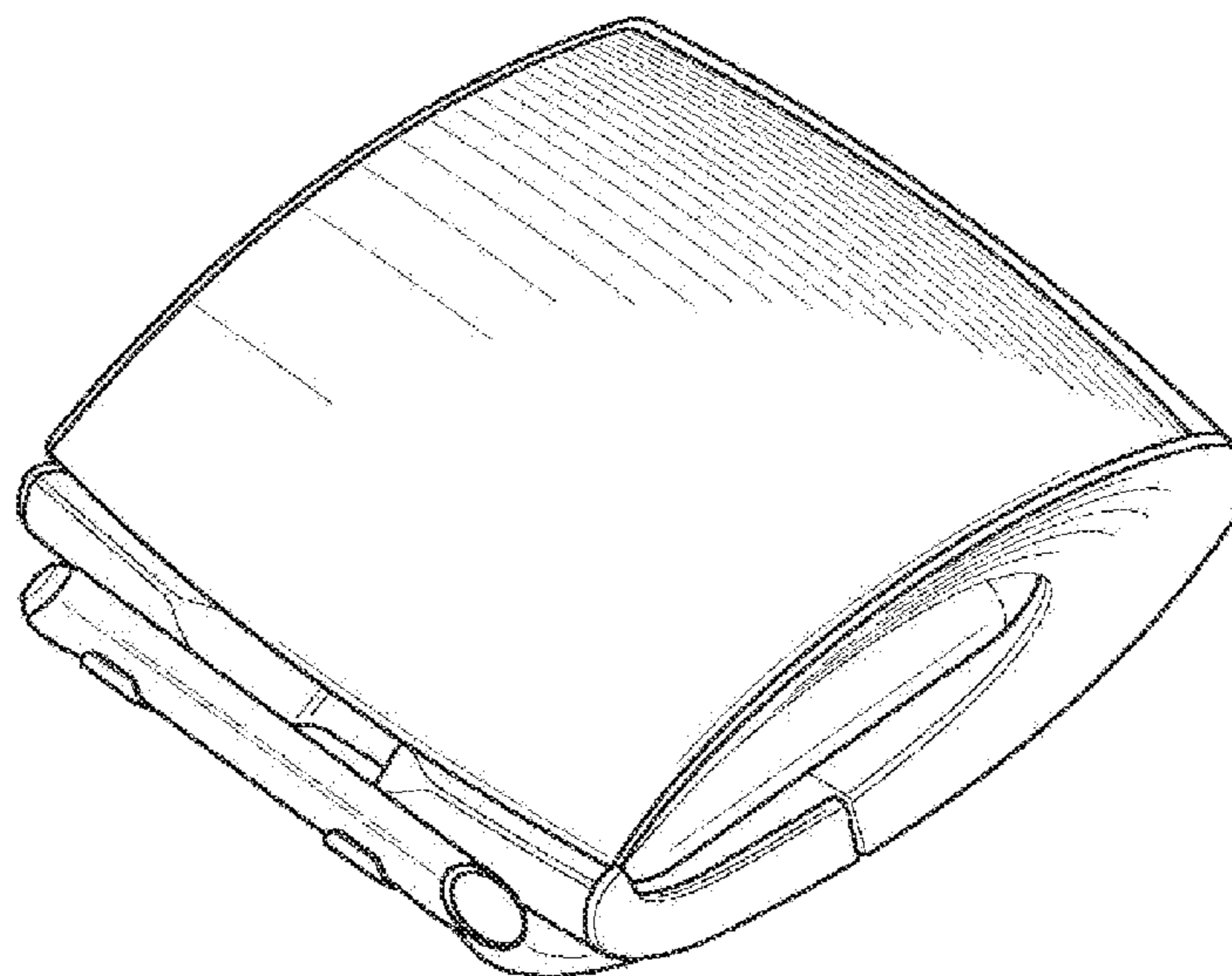
FIG. 13 is a top plan view of the invention, illustrated in the unfolded configuration; and,

FIG. 14 is a bottom plan view of the invention, illustrated in the unfolded configuration.

* cited by examiner

Primary Examiner—Sandra Snapp

1 Claim, 5 Drawing Sheets



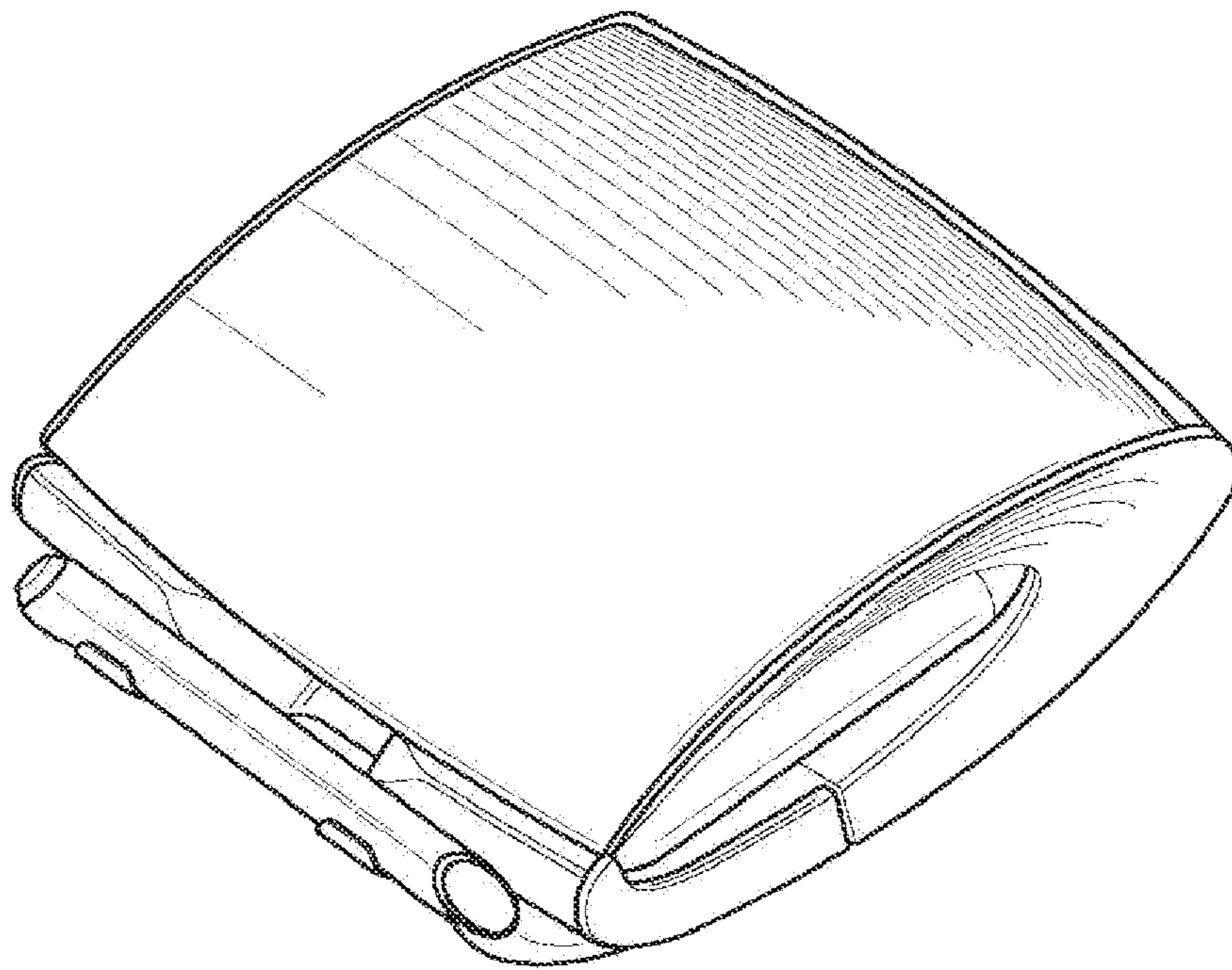


FIG. 1

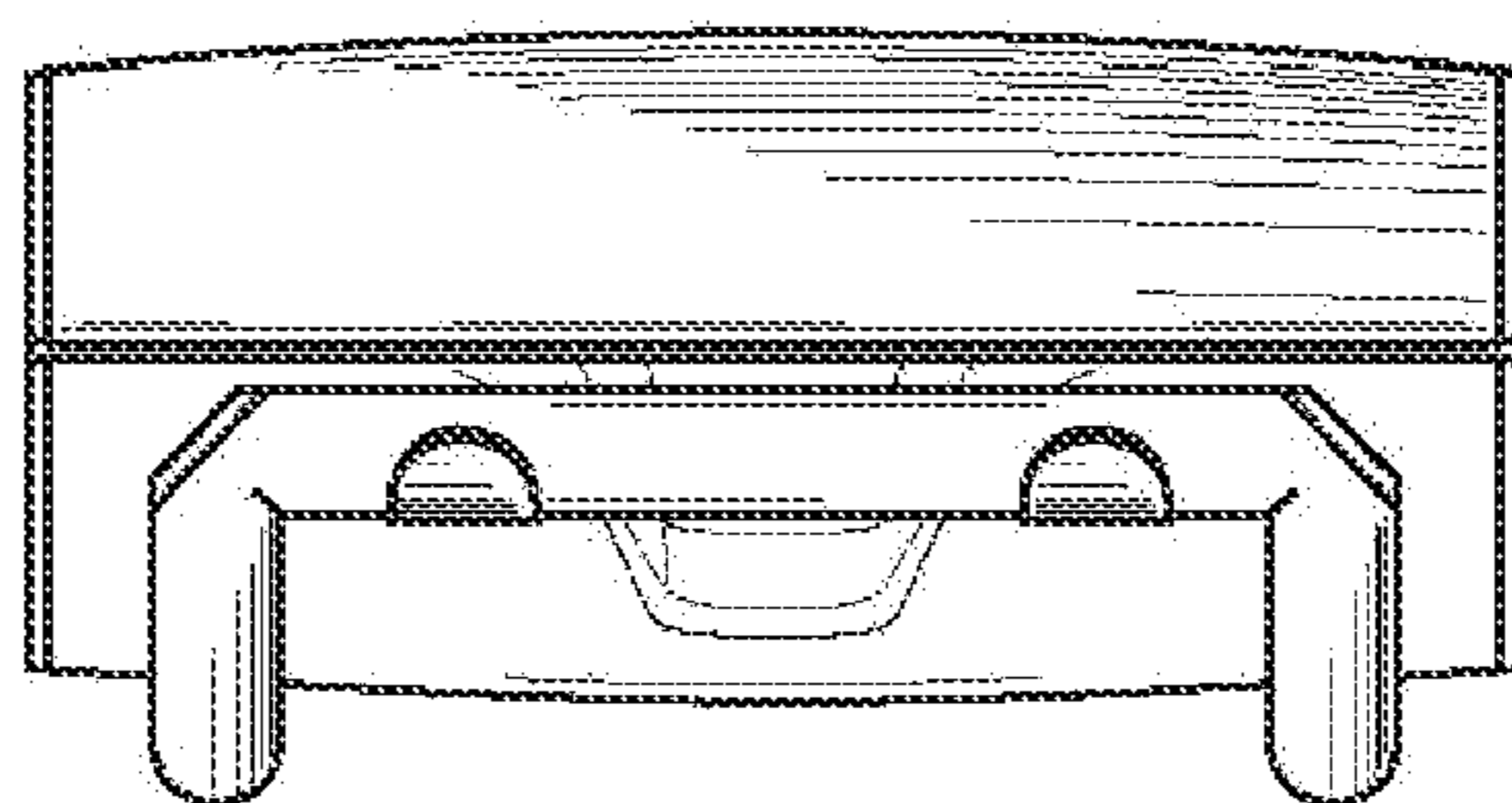


FIG. 2

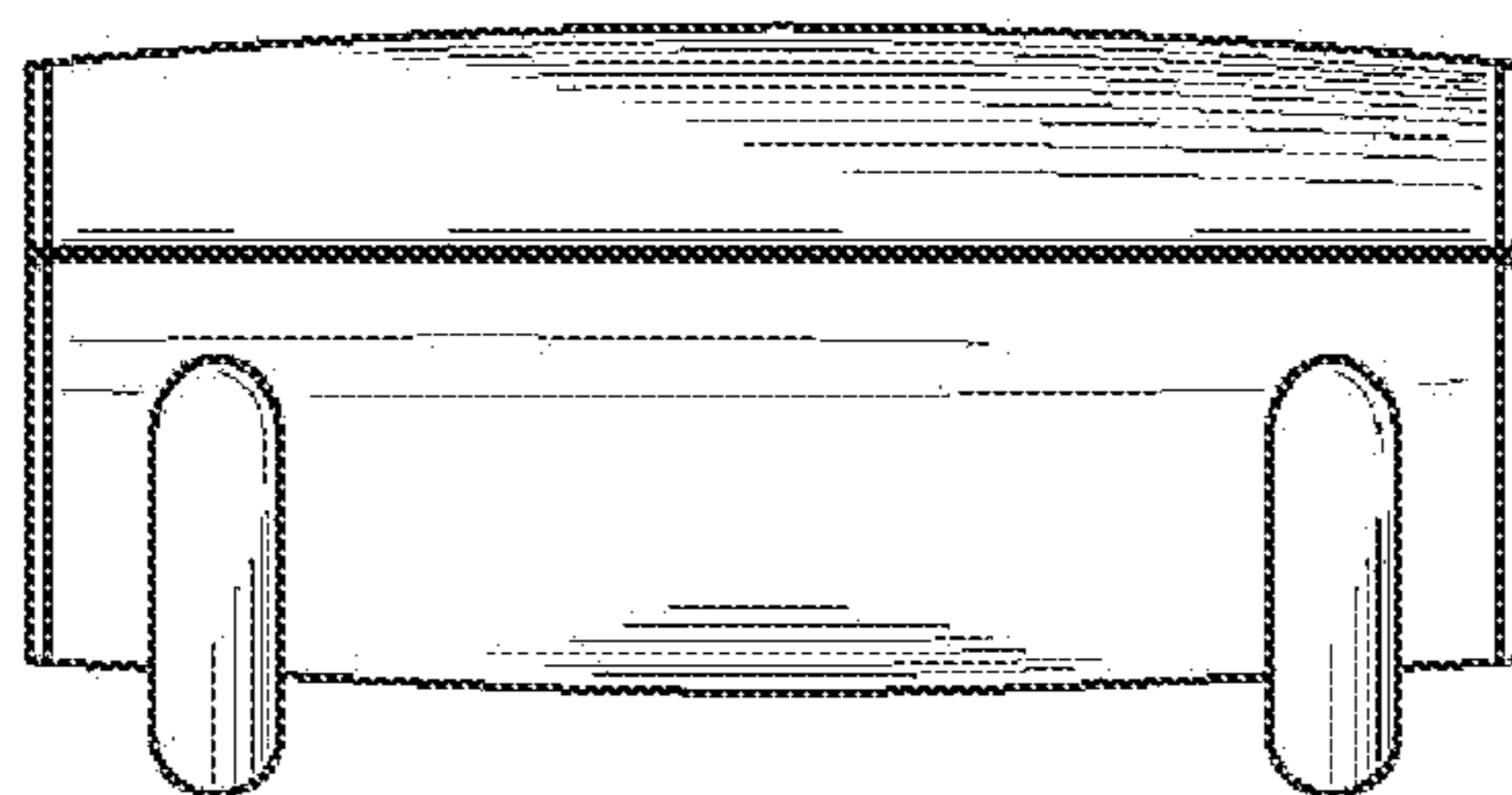


FIG. 3

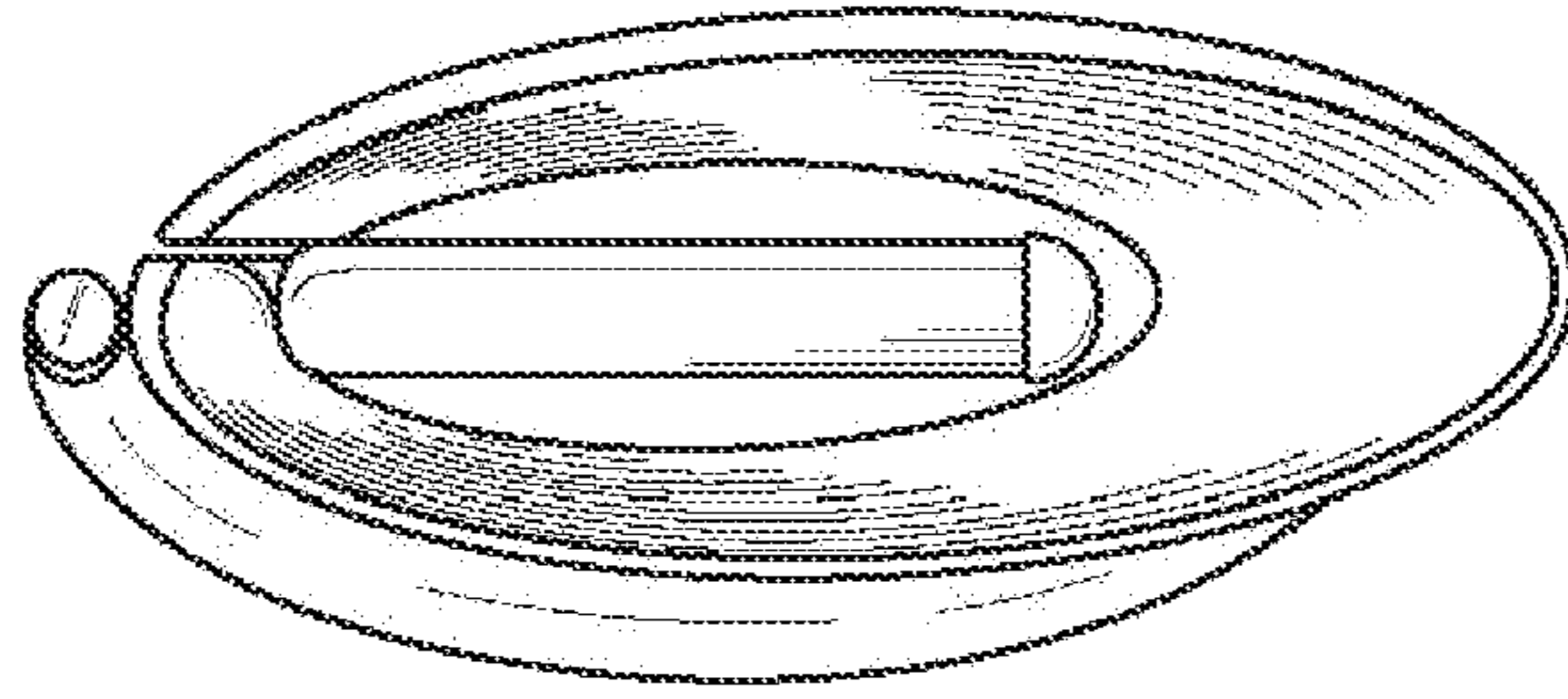


FIG. 4

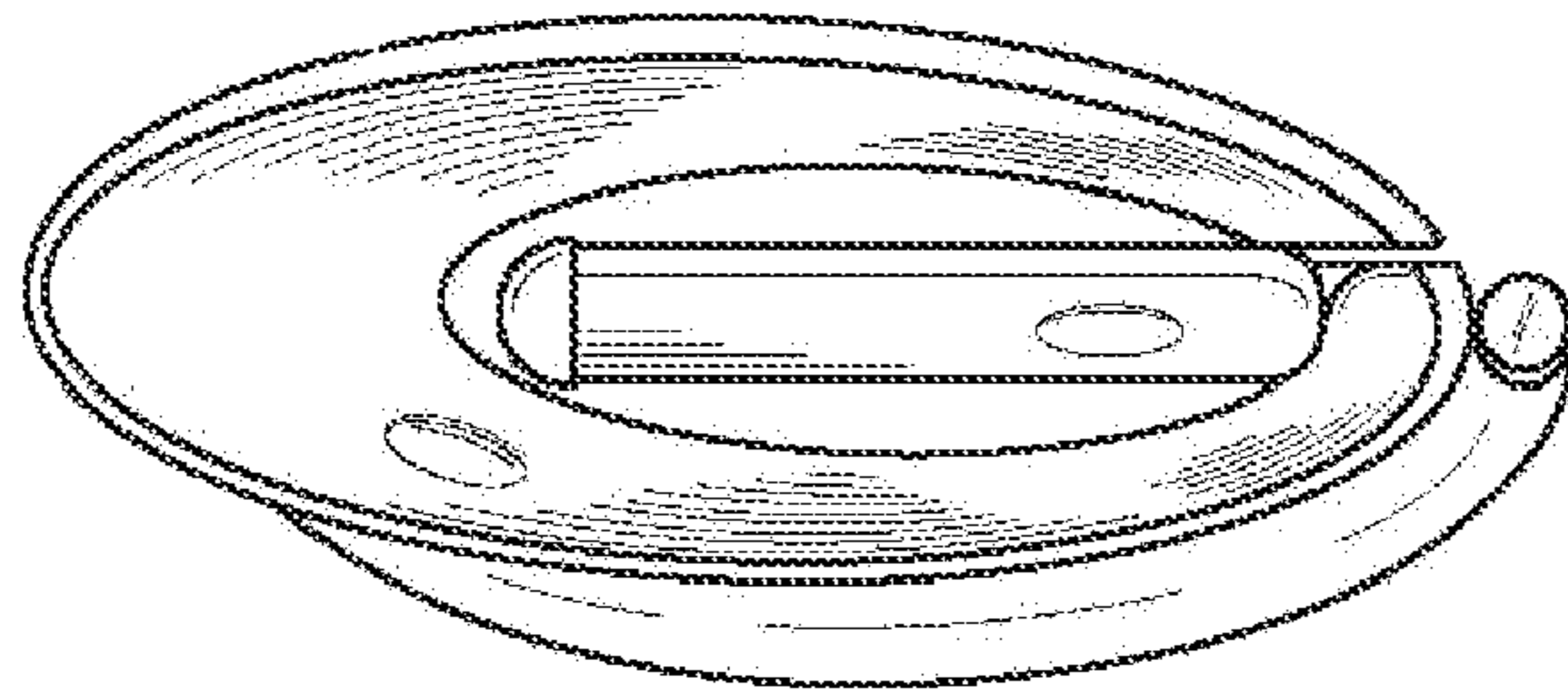


FIG. 5

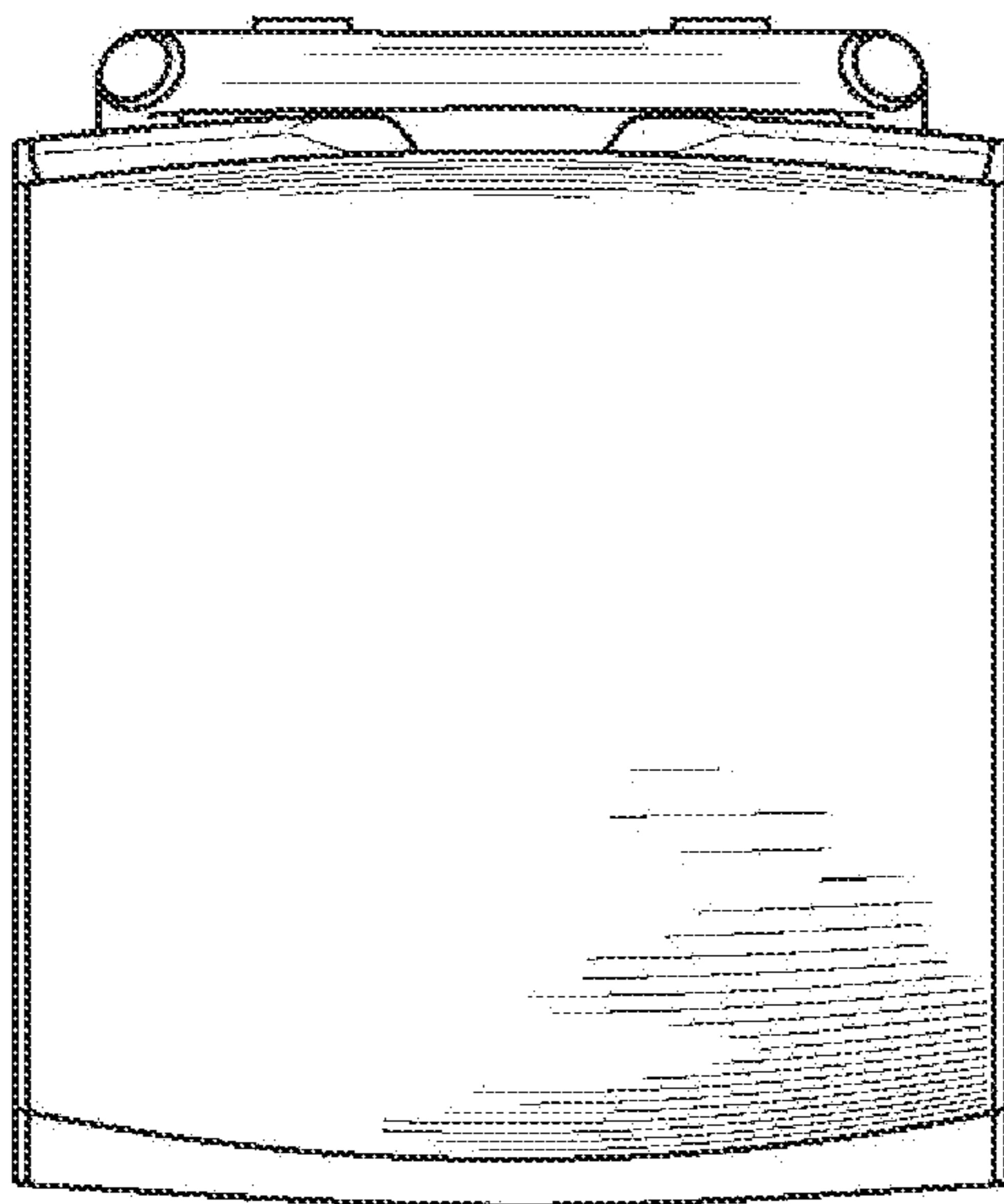


FIG. 6

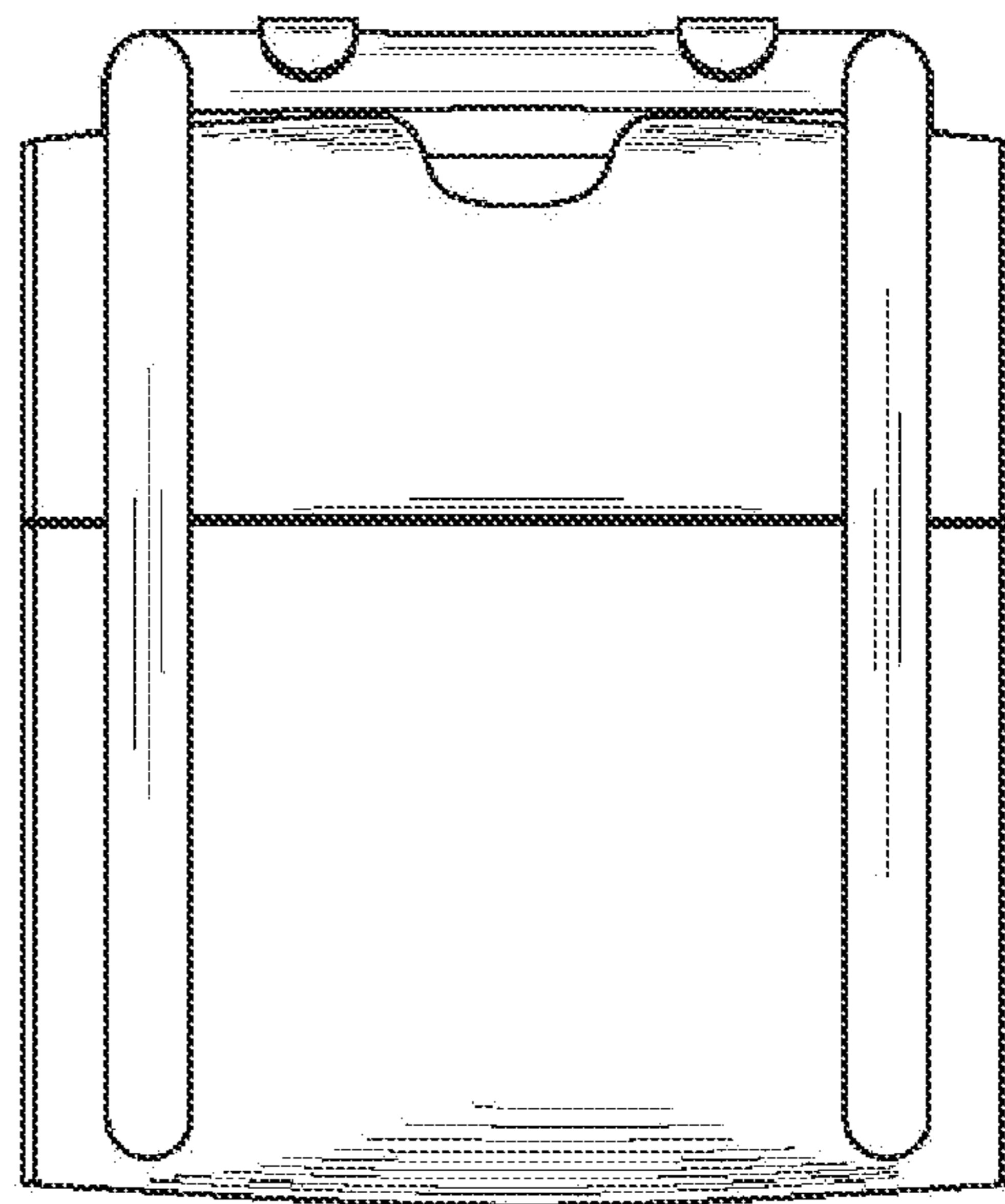


FIG. 7

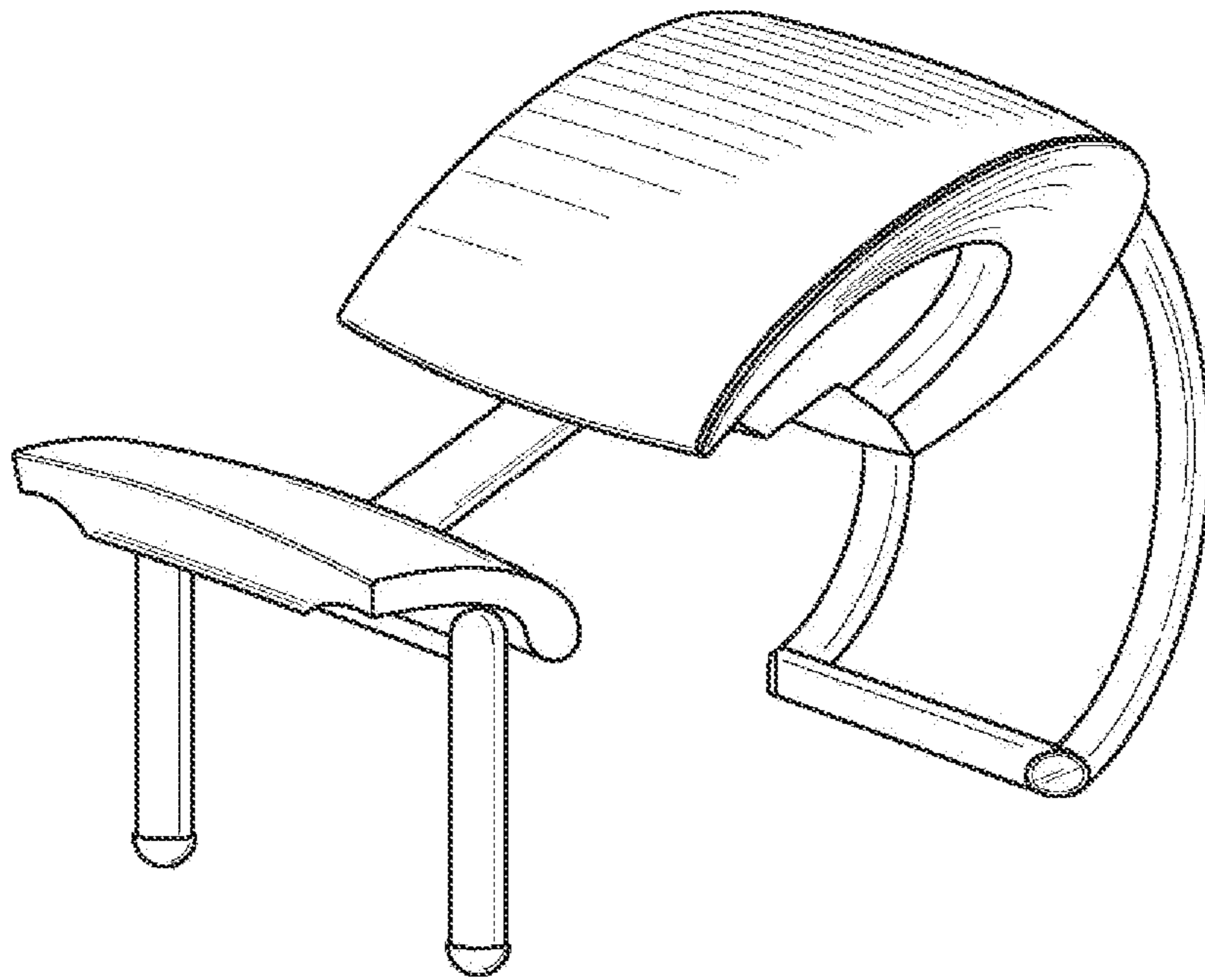


FIG. 8

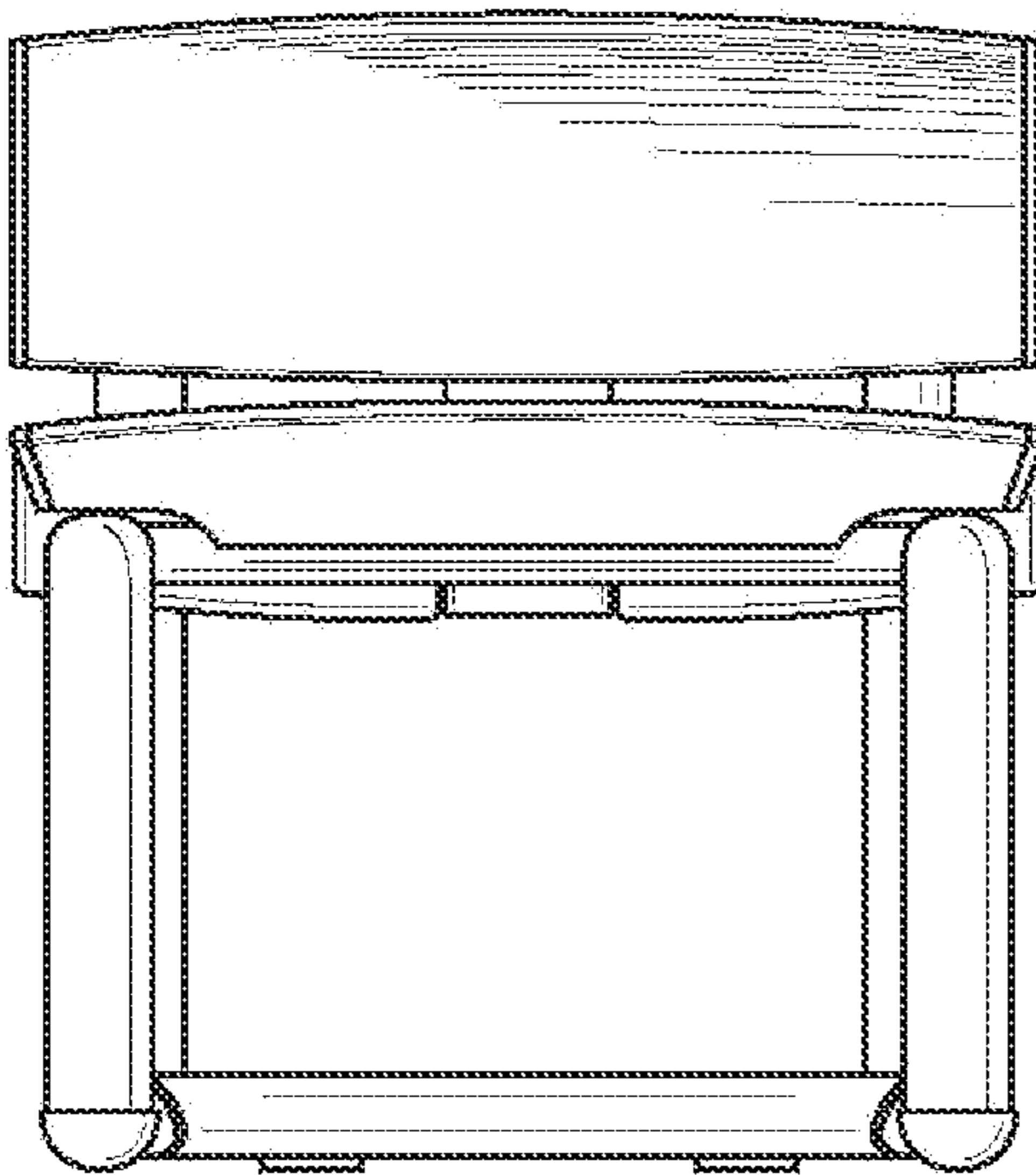


FIG. 9

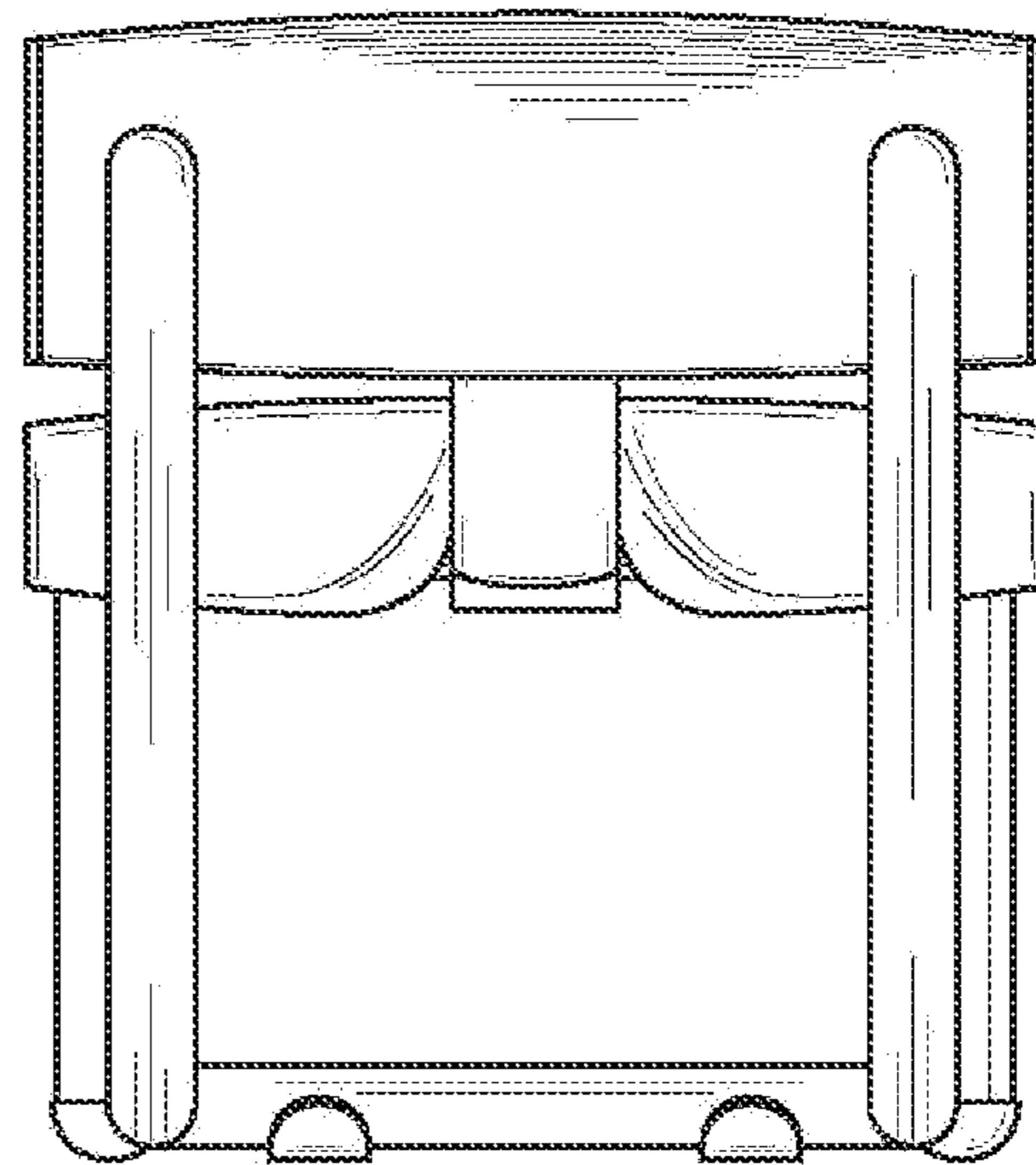


FIG. 10

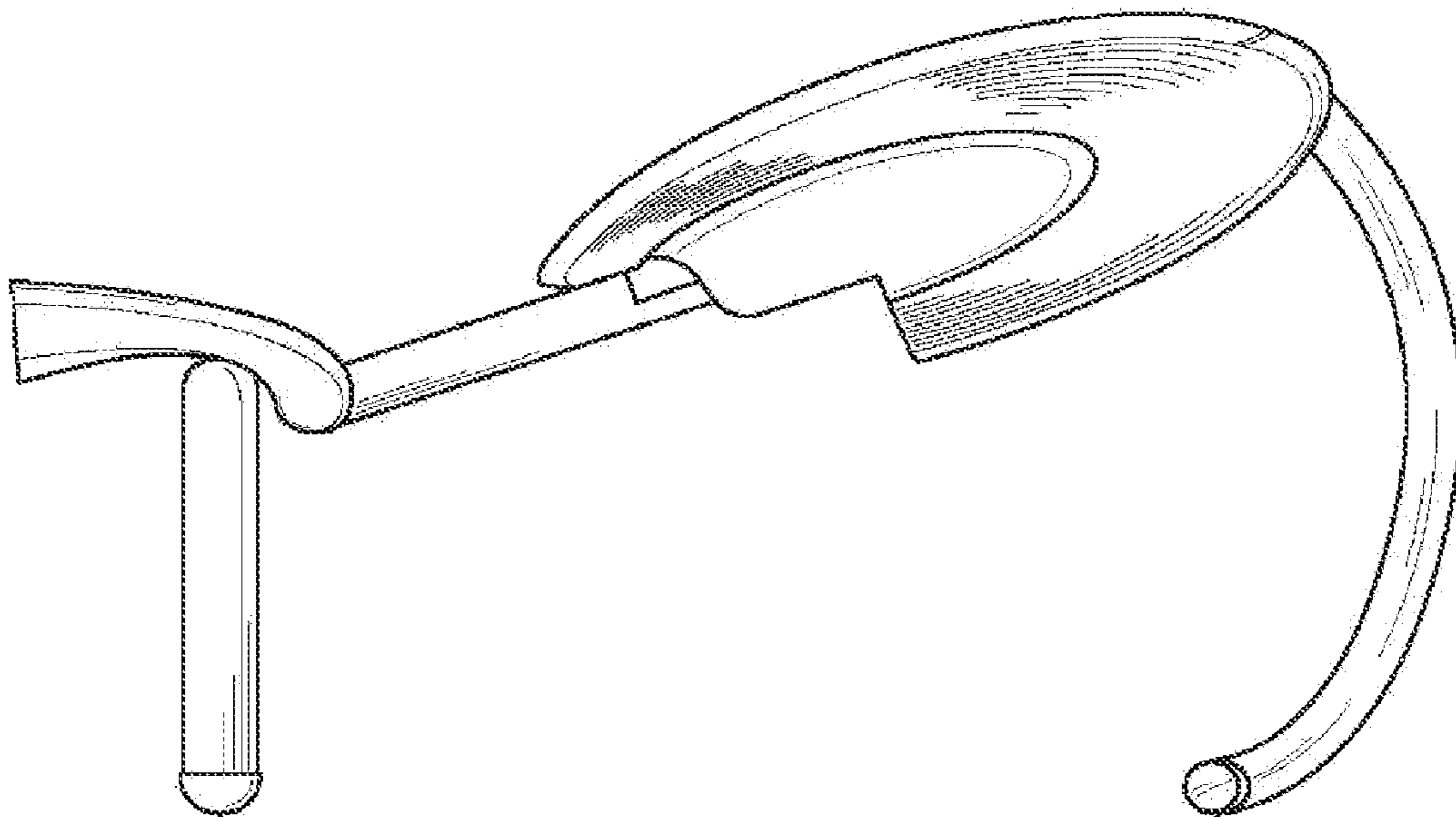


FIG. 11

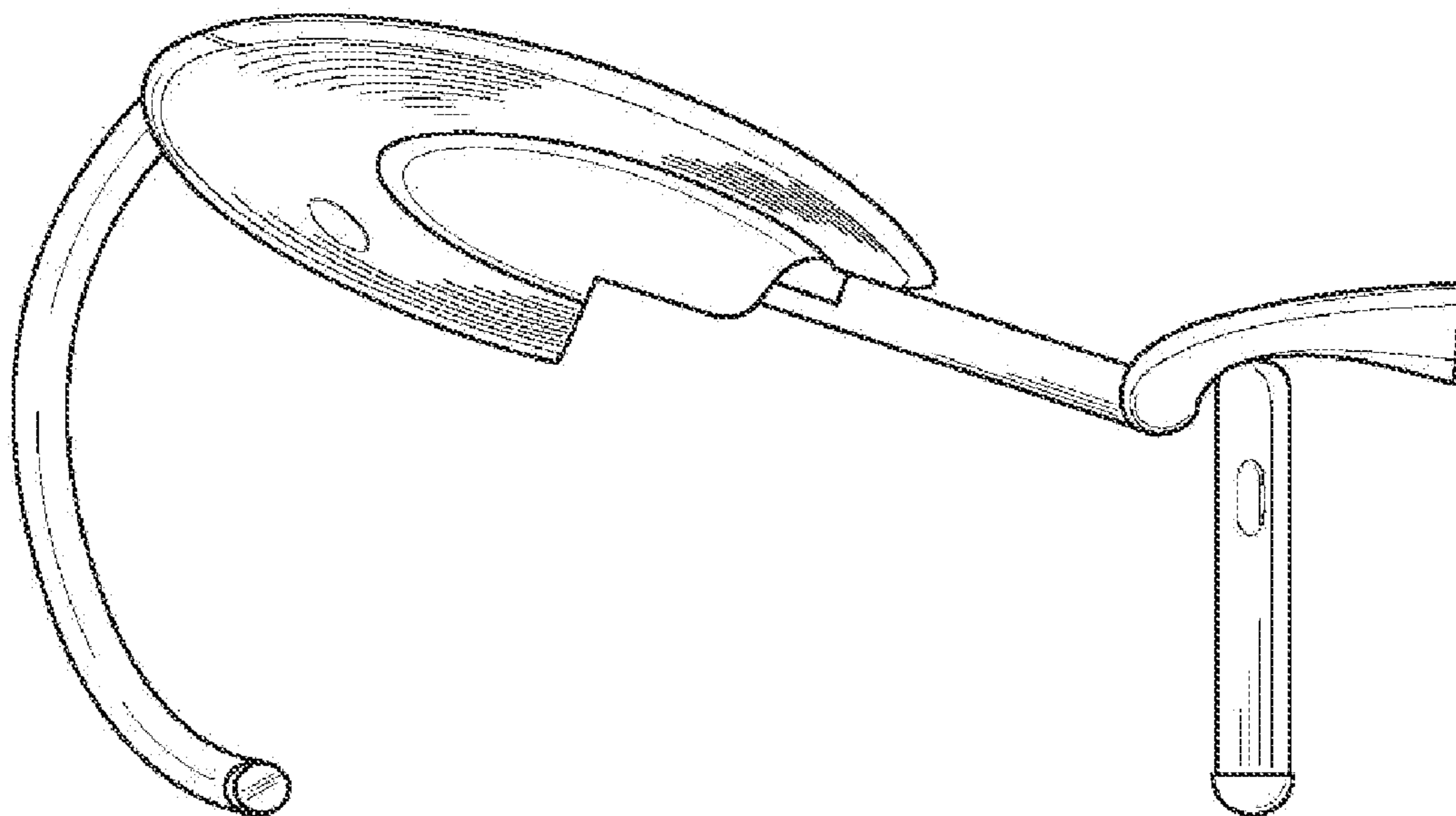


FIG. 12

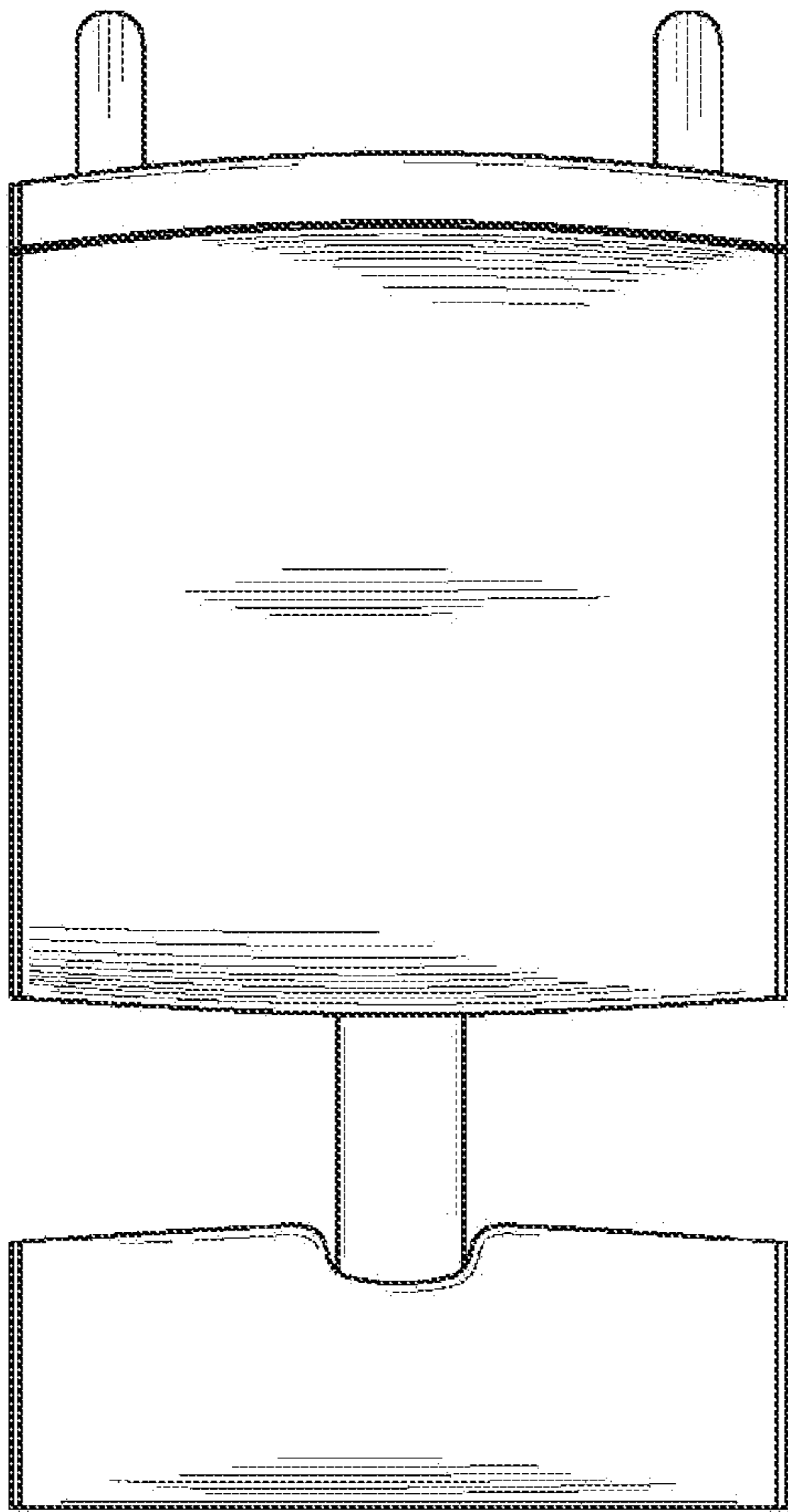


FIG. 13

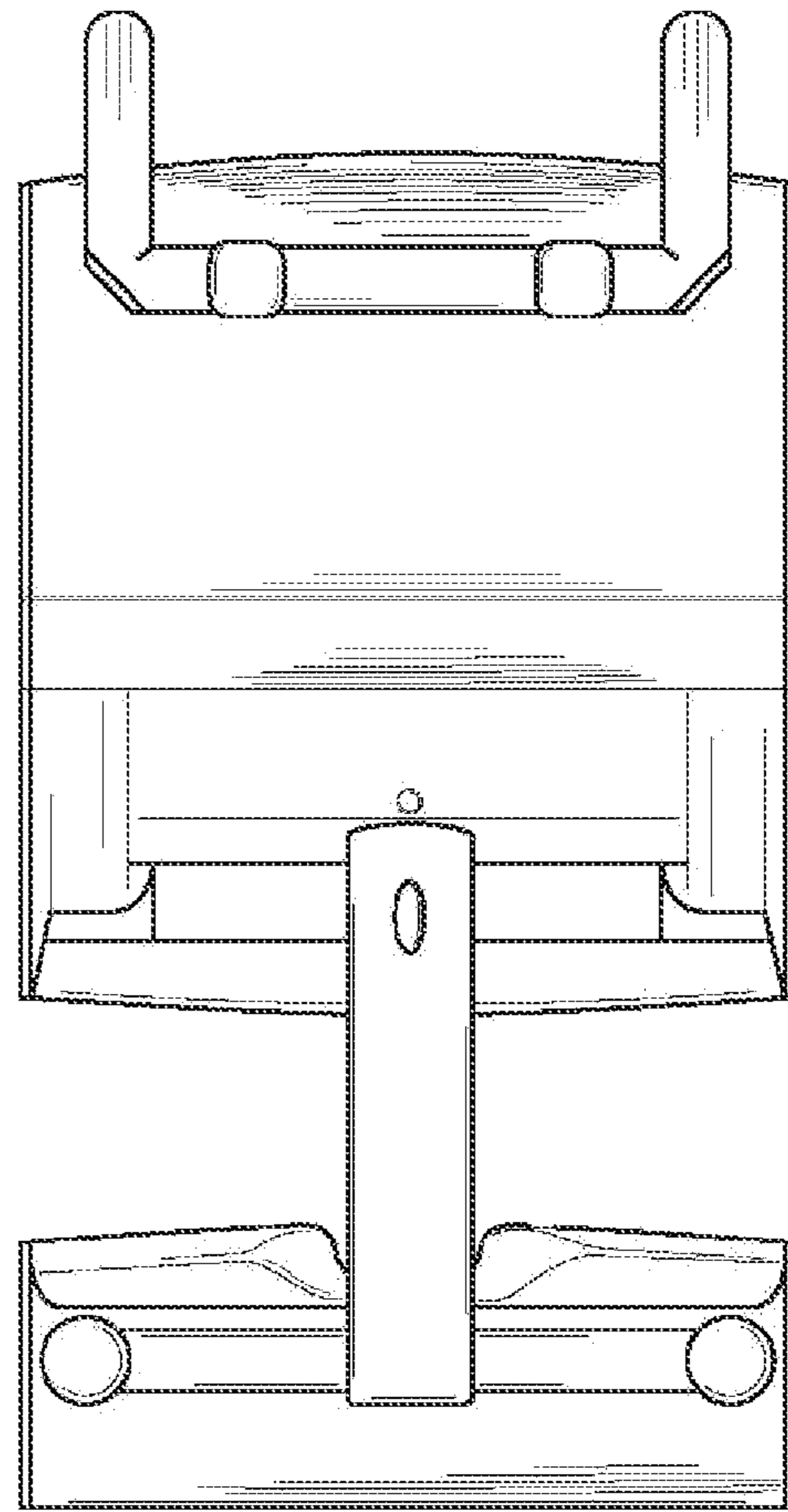


FIG. 14