



US00D558469S

(12) **United States Design Patent**
Lade

(10) **Patent No.:** **US D558,469 S**
(45) **Date of Patent:** **** Jan. 1, 2008**

(54) **CHAIR**

(75) Inventor: **Jan Lade**, Ikornnes (NO)

(73) Assignee: **Ekornes ASA**, Ikornnes (NO)

(**) Term: **14 Years**

(21) Appl. No.: **29/278,261**

(22) Filed: **Mar. 23, 2007**

(30) **Foreign Application Priority Data**

Oct. 23, 2006 (NO) 20060540

(51) **LOC (8) Cl.** **06-01**

(52) **U.S. Cl.** **D6/334**

(58) **Field of Classification Search** D6/349–353,
D6/355, 364, 484, 334, 500–502, 381, 369,
D6/376, 495; 297/232–233, 445.1, 446.1,
297/184.1; 5/15.1

See application file for complete search history.

(56) **References Cited**

U.S. PATENT DOCUMENTS

D138,511 S *	8/1944	Dreyfuss	D6/356
D209,743 S *	1/1968	Mulhauser	D6/366
D252,060 S *	6/1979	Prevost	D6/334
D262,165 S *	12/1981	Andries et al.	D6/335
D415,372 S *	10/1999	Zaidman	D6/500
D415,373 S *	10/1999	Zaidman	D6/500
D467,746 S *	12/2002	Zaidman	D6/365
D467,747 S *	12/2002	Zaidman	D6/365
D468,119 S *	1/2003	Zaidman	D6/365
D475,542 S *	6/2003	Pfeiffer et al.	D6/356
D476,492 S *	7/2003	Yamamoto et al.	D6/335
D500,212 S *	12/2004	Potter	D6/367
D500,608 S *	1/2005	Potter et al.	D6/367

D500,609 S *	1/2005	Potter	D6/367
D508,788 S *	8/2005	Natuzzi	D6/364
D508,789 S *	8/2005	Natuzzi	D6/364
D508,790 S *	8/2005	Natuzzi	D6/364
D527,556 S *	9/2006	Kita	D6/500
D528,830 S *	9/2006	Kita	D6/500
D531,420 S *	11/2006	Kita	D6/364
D532,619 S *	11/2006	Galardo	D6/364
D535,501 S *	1/2007	Egger	D6/500
D535,502 S *	1/2007	Egger	D6/500
D537,279 S *	2/2007	Smith	D6/500
D539,044 S *	3/2007	Solheim	D6/334
D540,573 S *	4/2007	Smith	D6/500
D542,574 S *	5/2007	Johnson	D6/500
D547,558 S *	7/2007	Egger	D6/334

* cited by examiner

Primary Examiner—Sandra Snapp

(74) *Attorney, Agent, or Firm*—Schneck & Schneck;
Thomas Schneck

(57) **CLAIM**

The ornamental design for a chair, as shown.

DESCRIPTION

FIG. 1 is a front perspective view illustrating a chair of my design;

FIG. 2 is a rear perspective view thereof;

FIG. 3 is a front elevational view thereof;

FIG. 4 is a rear elevational view thereof;

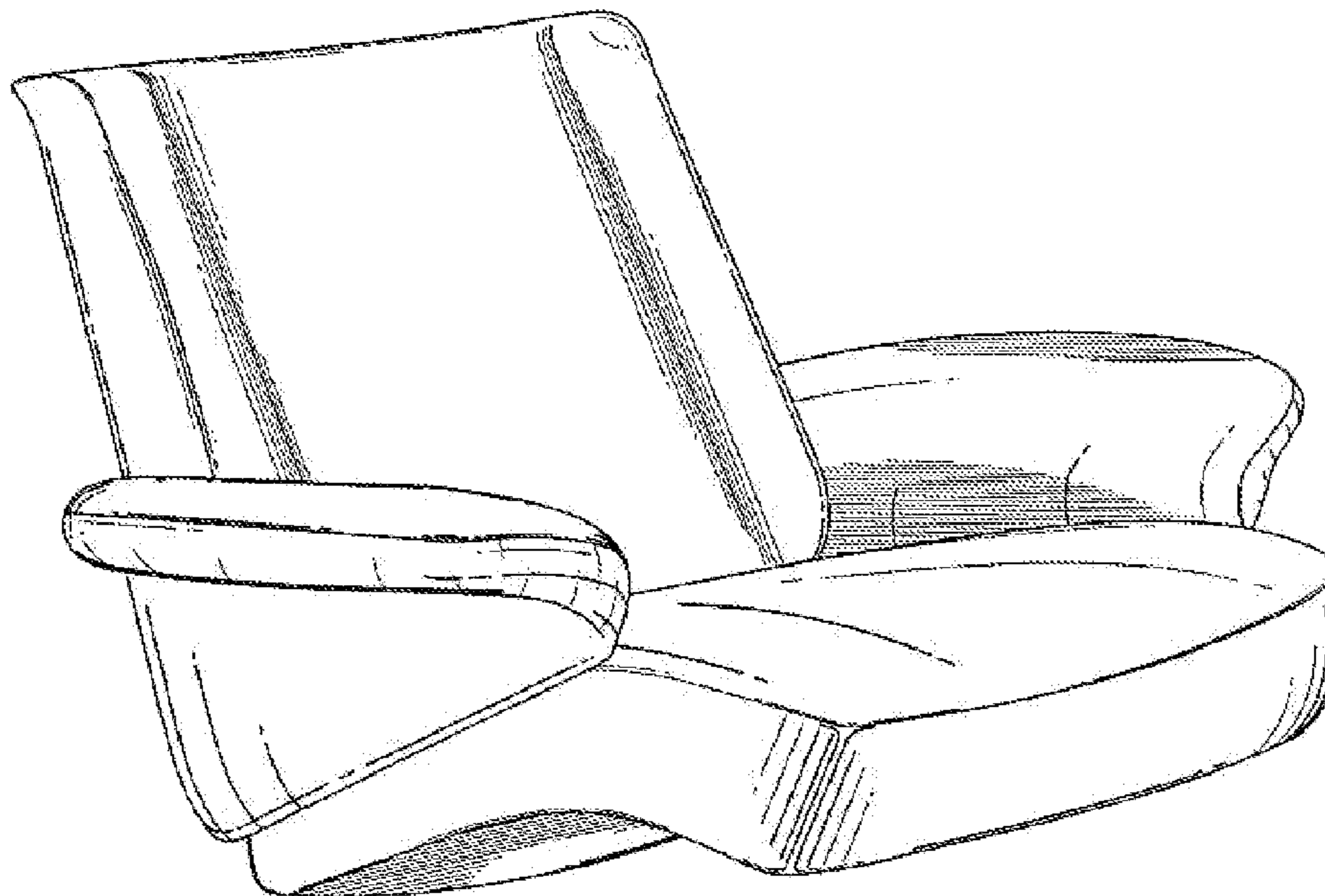
FIG. 5 is a left side view thereof;

FIG. 6 is a right side view thereof;

FIG. 7 is a top view thereof; and,

FIG. 8 is a bottom view thereof.

1 Claim, 4 Drawing Sheets



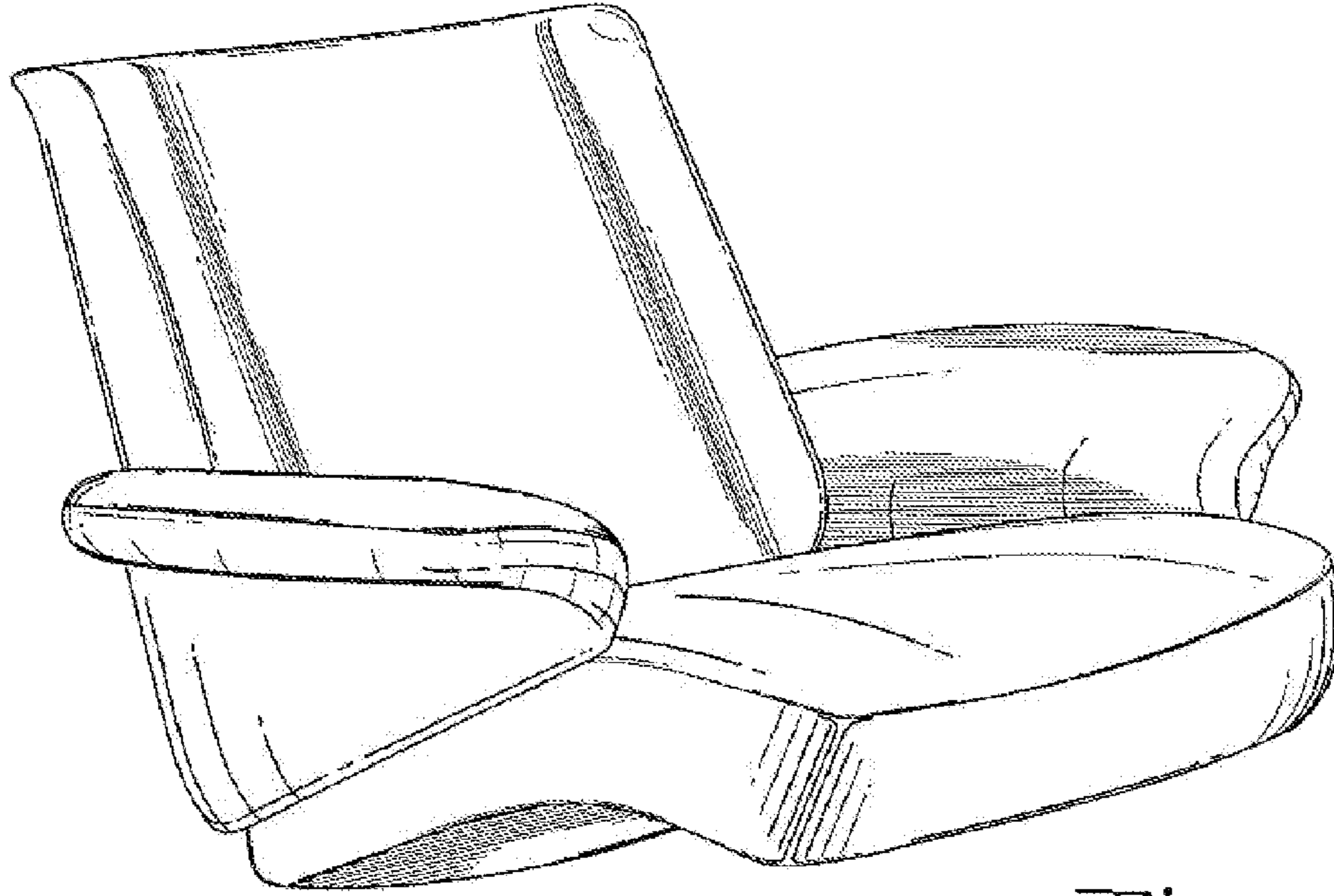


Fig. 1

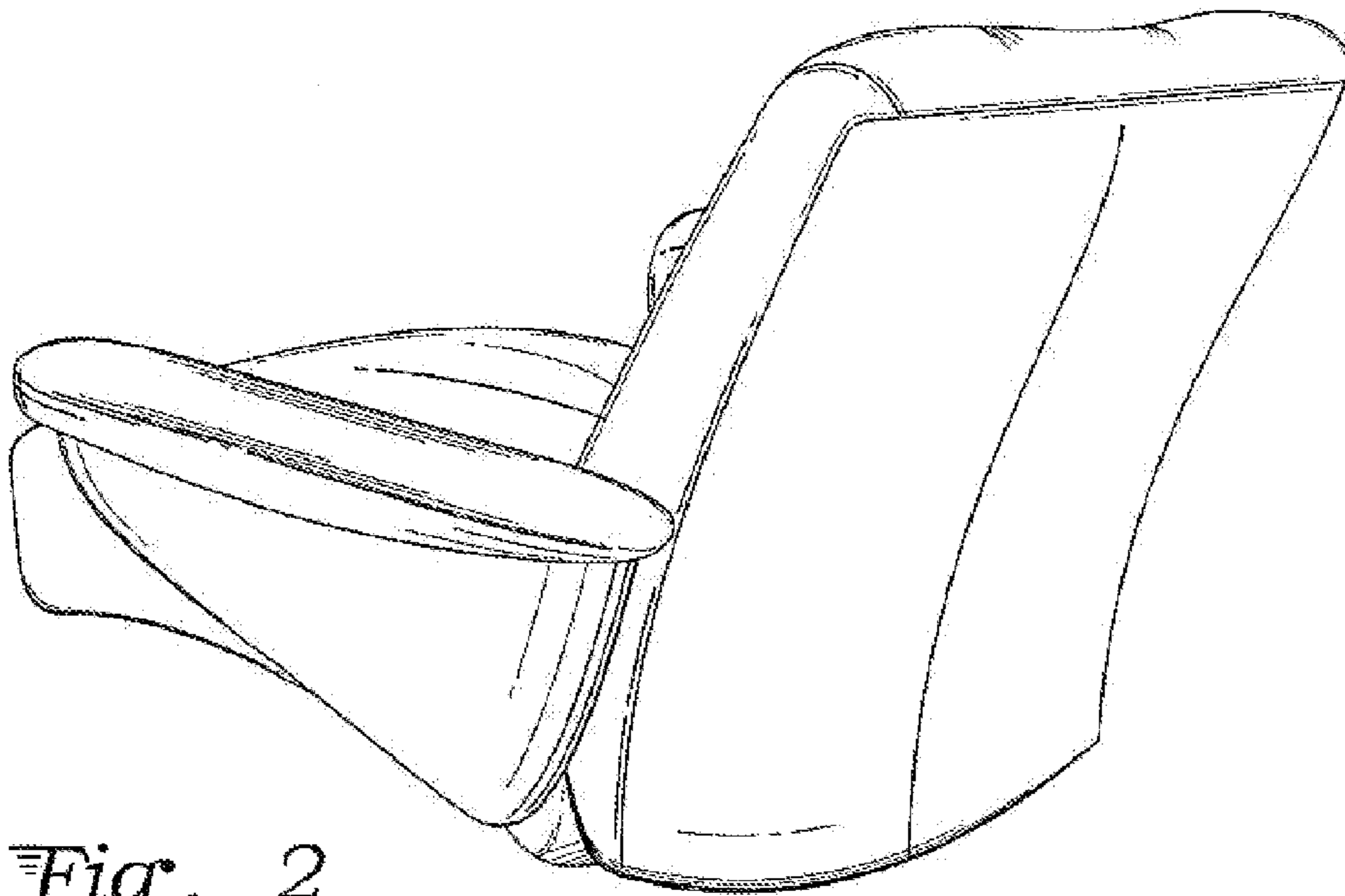


Fig. 2

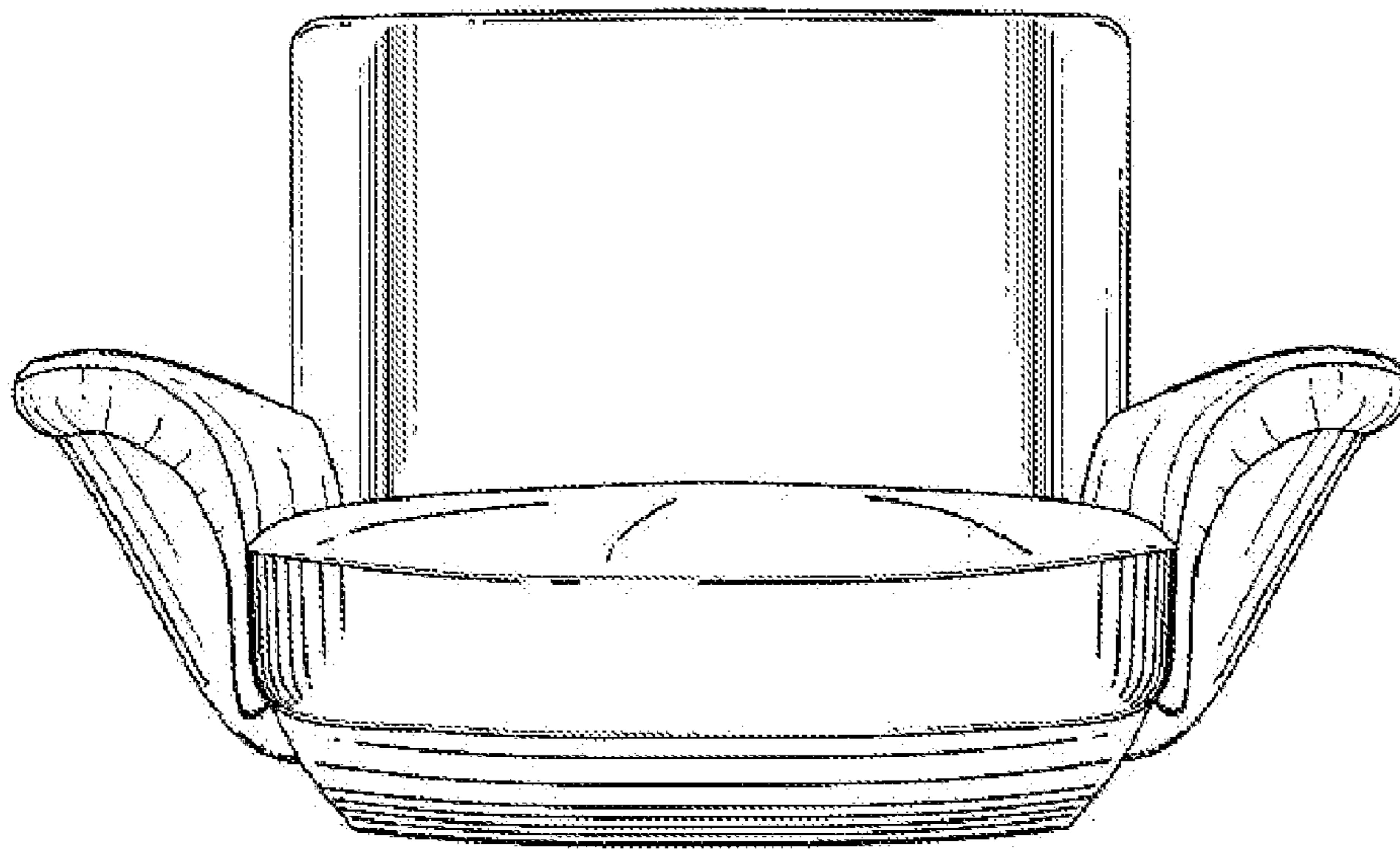


Fig. 3

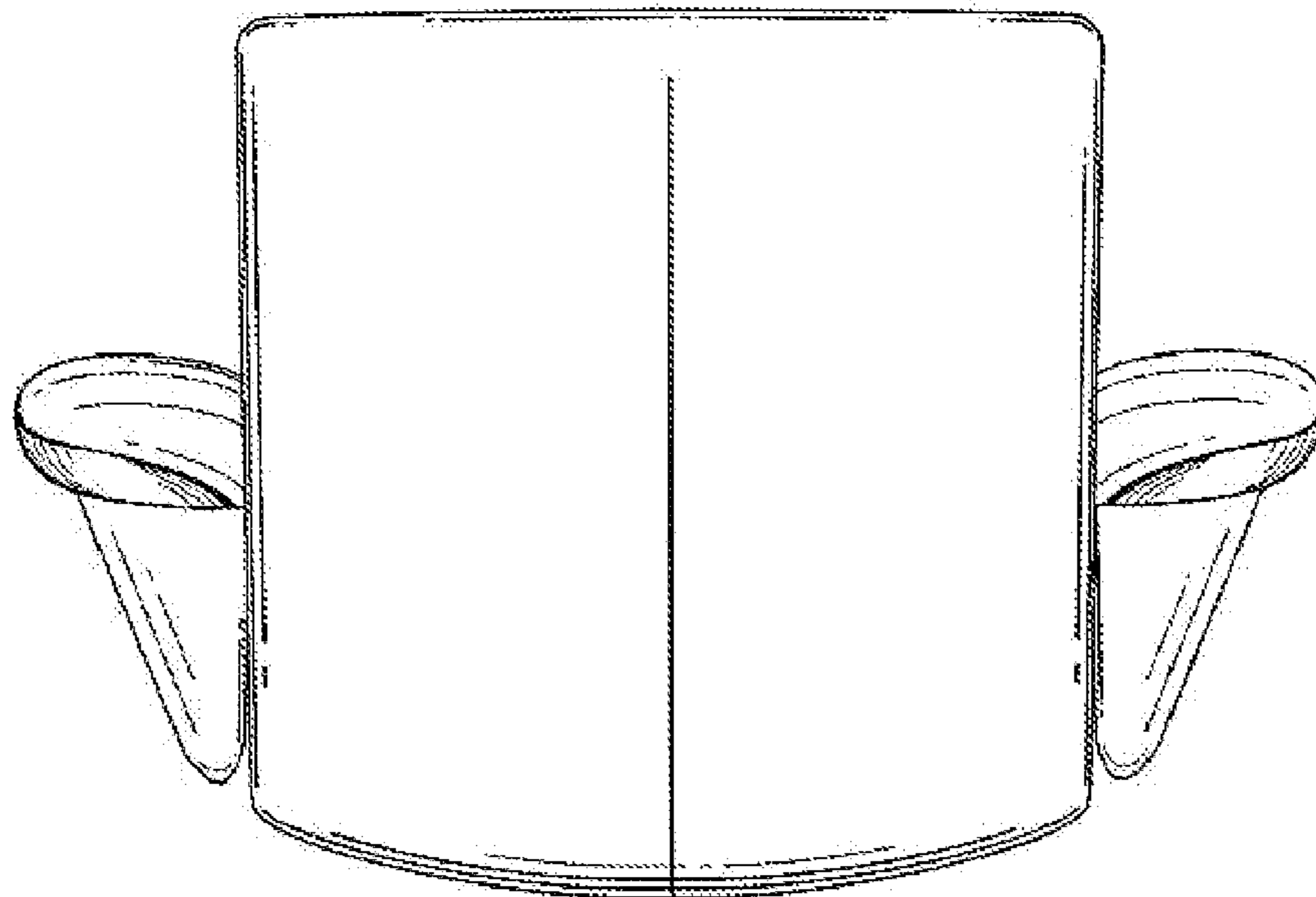


Fig. 4

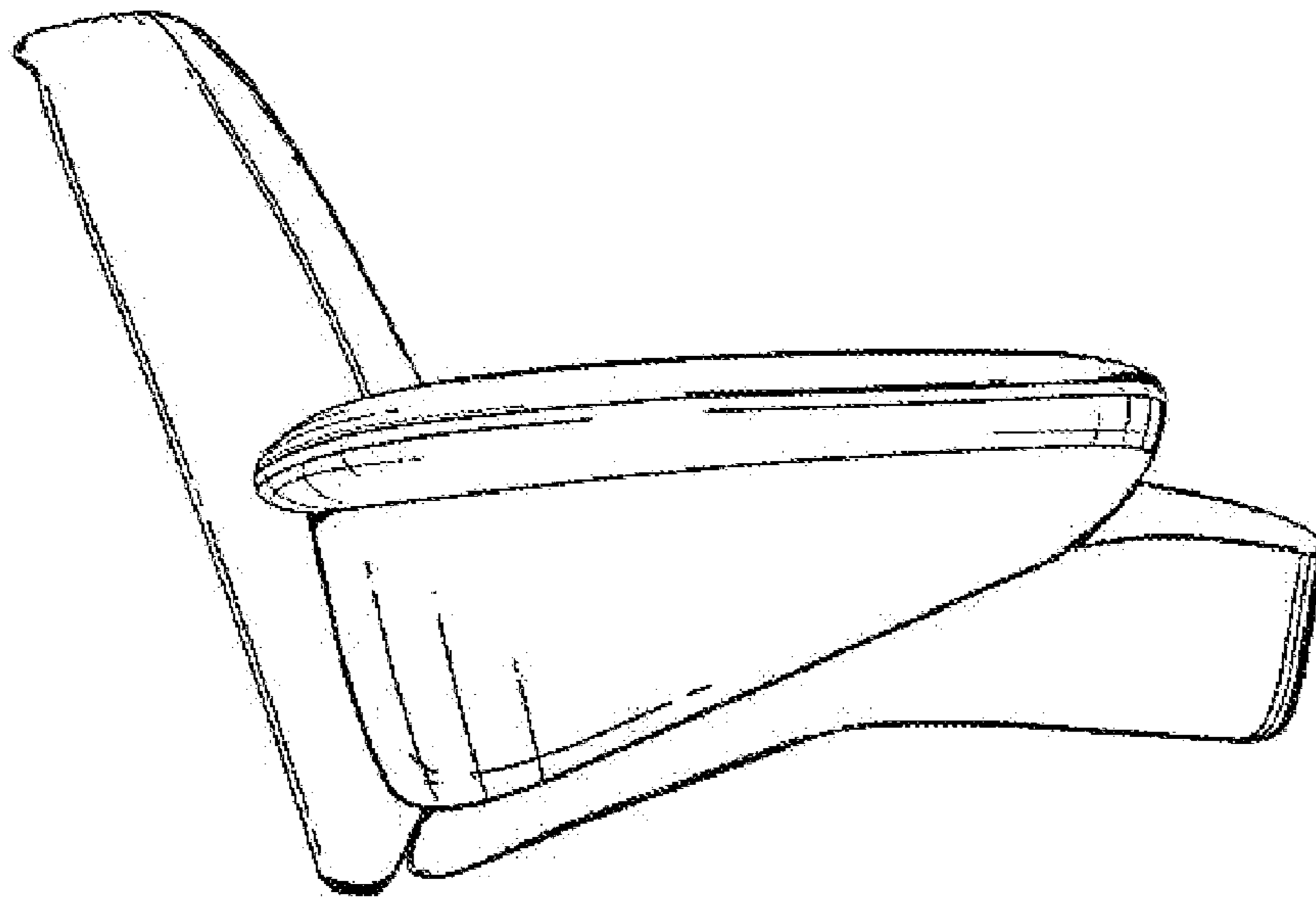


Fig. 5

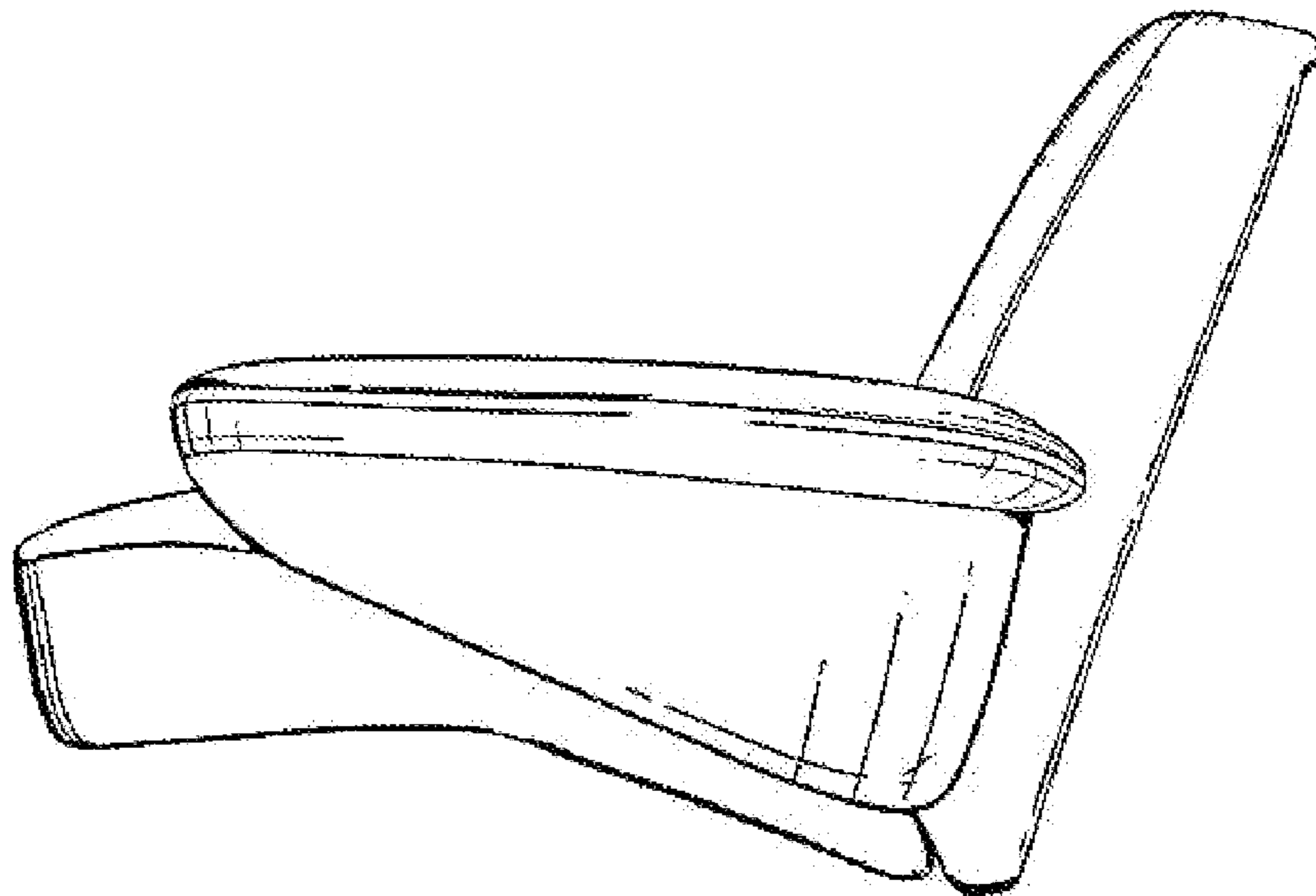


Fig. 6

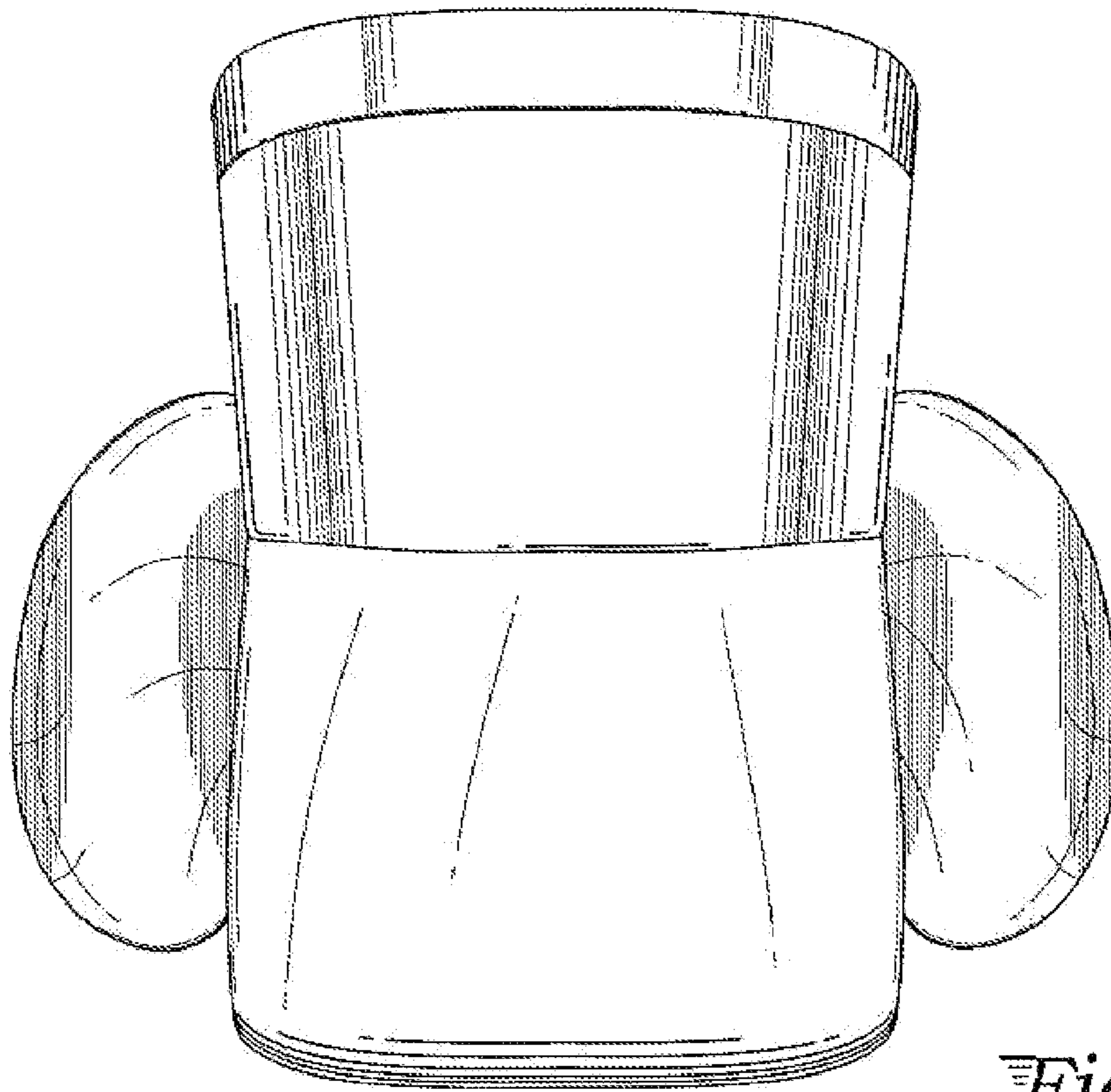


Fig. 7

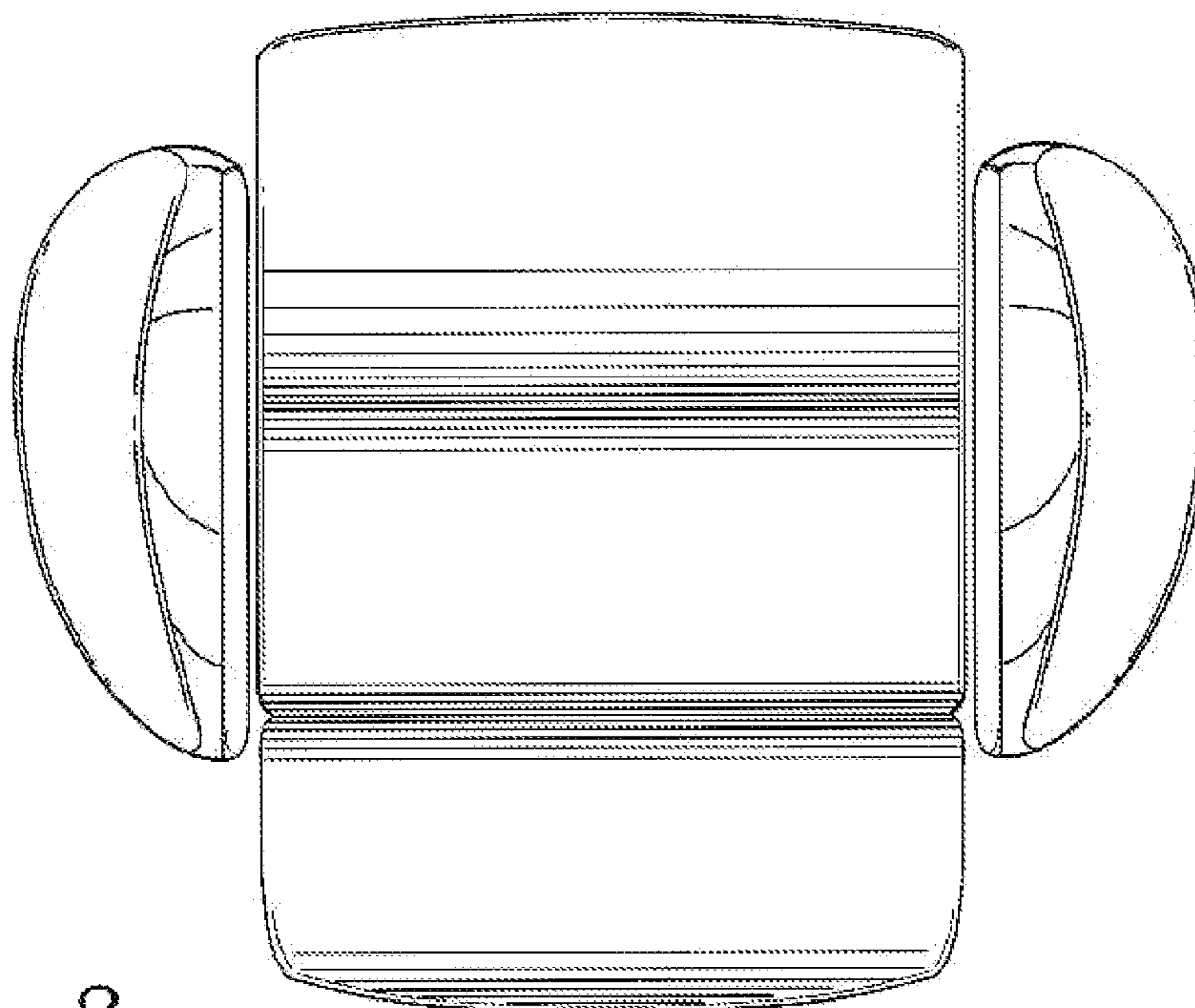


Fig. 8