



US00D558468S

(12) **United States Design Patent**
Lade

(10) **Patent No.:** **US D558,468 S**
(45) **Date of Patent:** **** Jan. 1, 2008**

(54) **CHAIR**

(75) Inventor: **Jan Lade**, Ikornnes (NO)

(73) Assignee: **Ekornes ASA**, Ikornnes (NO)

(**) Term: **14 Years**

(21) Appl. No.: **29/277,728**

(22) Filed: **Mar. 8, 2007**

(30) **Foreign Application Priority Data**

Oct. 23, 2006 (NO) 20060540

(51) **LOC (8) Cl.** **06-01**

(52) **U.S. Cl.** **D6/334**

(58) **Field of Classification Search** D6/349–353,
D6/355, 364, 484, 334, 500–502, 381, 369,
D6/376, 495; 297/232–233, 445.1, 446.1,
297/184.1; 5/15.1

See application file for complete search history.

(56) **References Cited**

U.S. PATENT DOCUMENTS

| | | | | | |
|------------|---|---------|-----------------|-------|--------|
| D138,511 S | * | 8/1944 | Dreyfuss | | D6/356 |
| D209,743 S | * | 1/1968 | Mulhauser | | D6/366 |
| D252,060 S | * | 6/1979 | Prevost | | D6/334 |
| D262,165 S | * | 12/1981 | Andries et al. | | D6/335 |
| D415,372 S | * | 10/1999 | Zaidman | | D6/500 |
| D415,373 S | * | 10/1999 | Zaidman | | D6/500 |
| D467,746 S | * | 12/2002 | Zaidman | | D6/365 |
| D467,747 S | * | 12/2002 | Zaidman | | D6/365 |
| D468,119 S | * | 1/2003 | Zaidman | | D6/365 |
| D475,542 S | * | 6/2003 | Pfeiffer et al. | | D6/356 |
| D476,492 S | * | 7/2003 | Yamamoto et al. | | D6/335 |
| D500,212 S | * | 12/2004 | Potter | | D6/367 |
| D500,608 S | * | 1/2005 | Potter et al. | | D6/367 |

| | | | | | |
|------------|---|---------|---------|-------|--------|
| D500,609 S | * | 1/2005 | Potter | | D6/367 |
| D508,788 S | * | 8/2005 | Natuzzi | | D6/364 |
| D508,789 S | * | 8/2005 | Natuzzi | | D6/364 |
| D508,790 S | * | 8/2005 | Natuzzi | | D6/364 |
| D527,556 S | * | 9/2006 | Kita | | D6/500 |
| D528,830 S | * | 9/2006 | Kita | | D6/500 |
| D531,420 S | * | 11/2006 | Kita | | D6/364 |
| D532,619 S | * | 11/2006 | Galardo | | D6/364 |
| D535,501 S | * | 1/2007 | Egger | | D6/500 |
| D535,502 S | * | 1/2007 | Egger | | D6/500 |
| D537,279 S | * | 2/2007 | Smith | | D6/500 |
| D539,044 S | * | 3/2007 | Solheim | | D6/334 |
| D540,573 S | * | 4/2007 | Smith | | D6/500 |
| D542,574 S | * | 5/2007 | Johnson | | D6/500 |
| D547,558 S | * | 7/2007 | Egger | | D6/334 |

* cited by examiner

Primary Examiner—Sandra Snapp

(74) *Attorney, Agent, or Firm*—Schneck & Schneck;
Thomas Schneck

(57) **CLAIM**

The ornamental design for a chair, as shown.

DESCRIPTION

FIG. 1 is a front perspective view illustrating a chair of my design;

FIG. 2 is a rear perspective view thereof;

FIG. 3 is a front elevational view thereof;

FIG. 4 is a rear elevational view thereof;

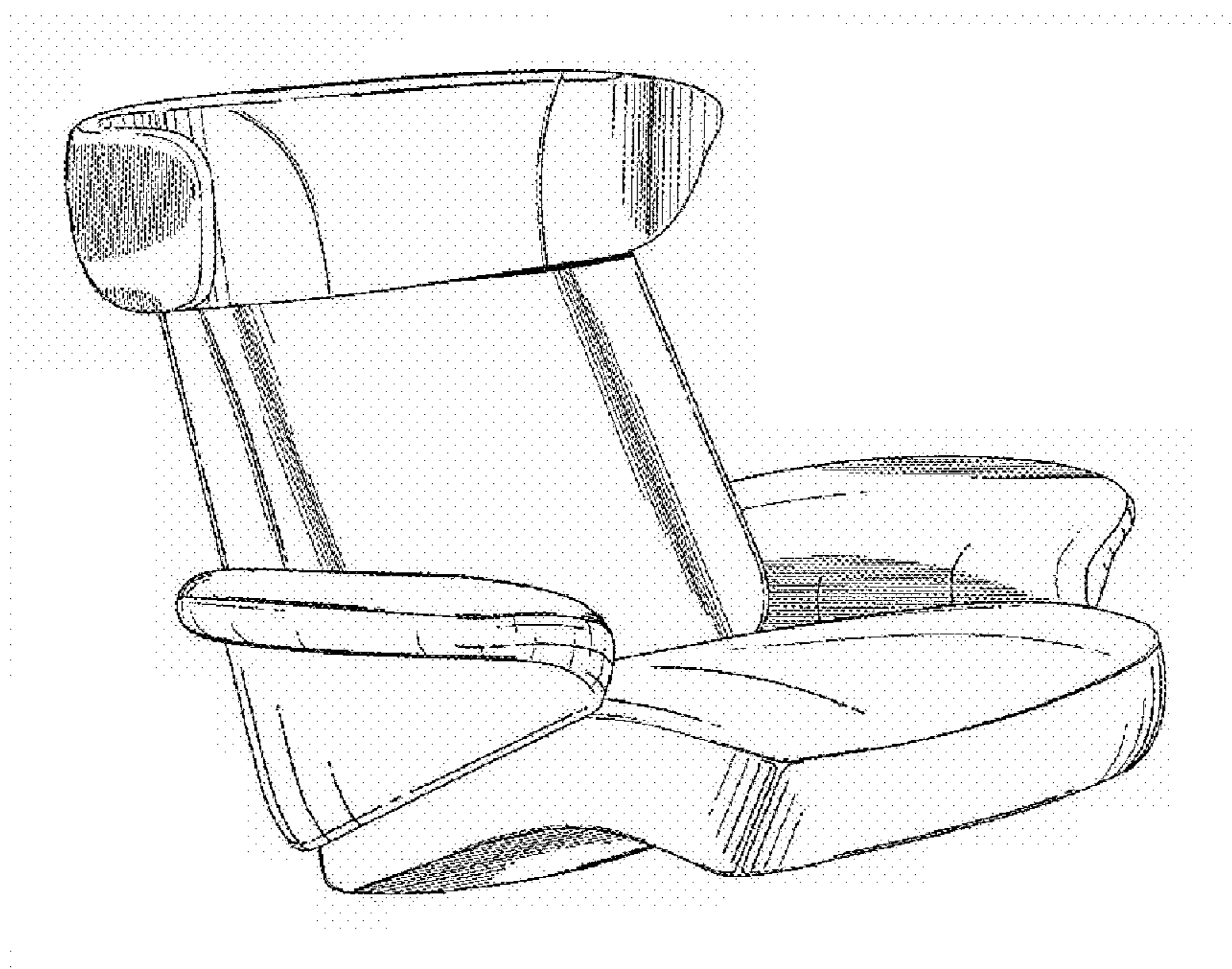
FIG. 5 is a left side view thereof;

FIG. 6 is a right side view thereof;

FIG. 7 is a top view thereof; and,

FIG. 8 is a bottom view thereof.

1 Claim, 4 Drawing Sheets



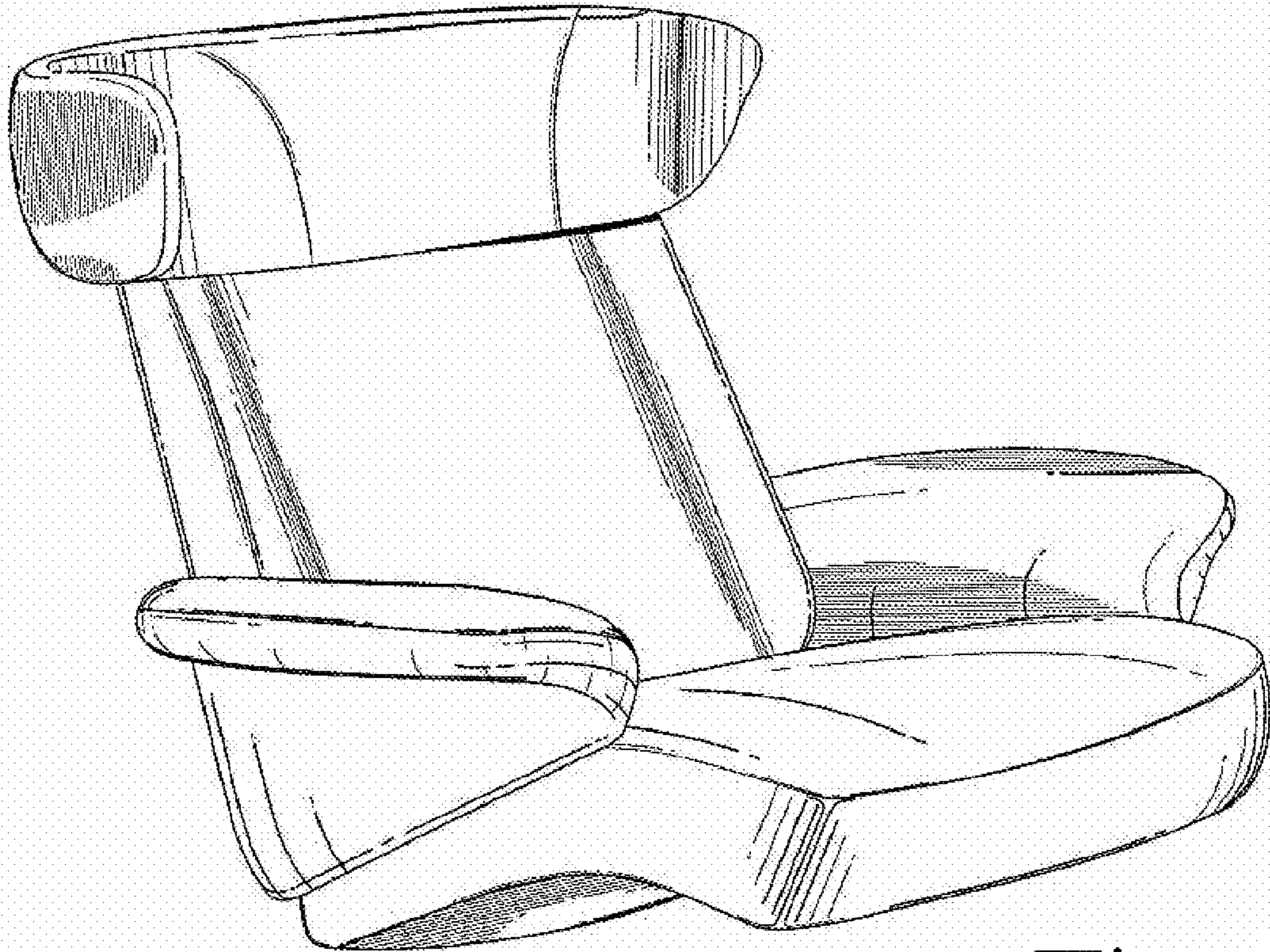


Fig. 1

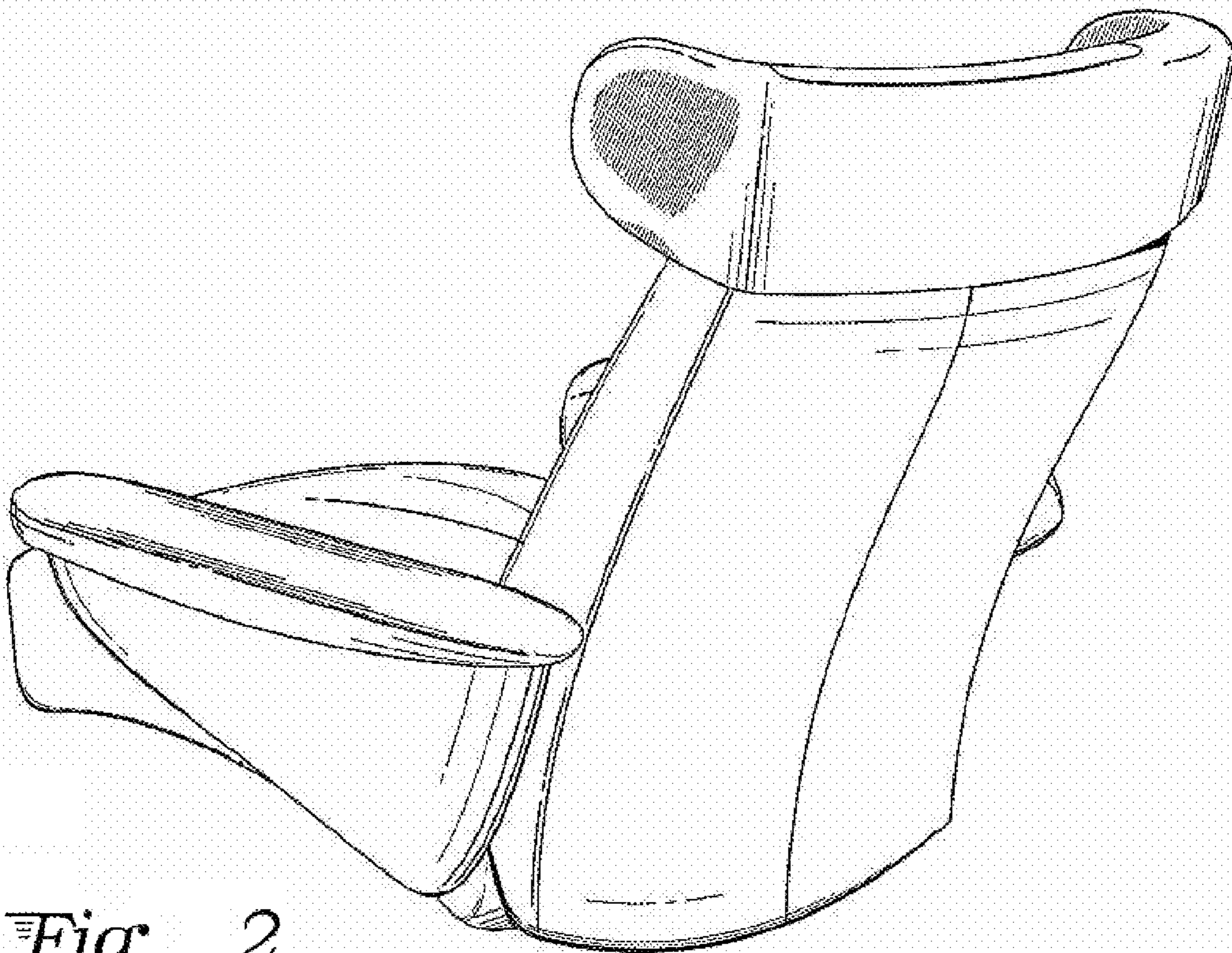


Fig. 2

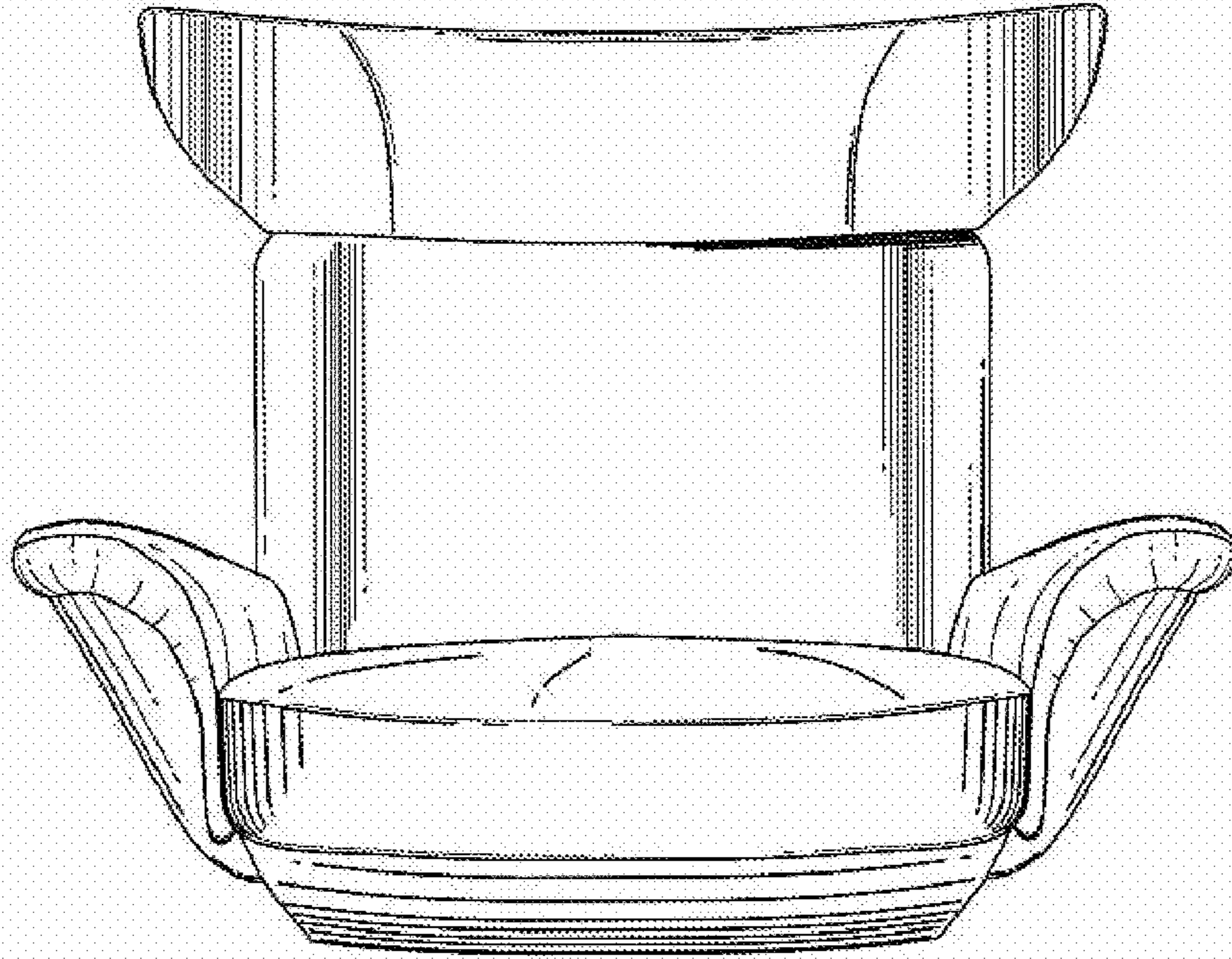


Fig. 3

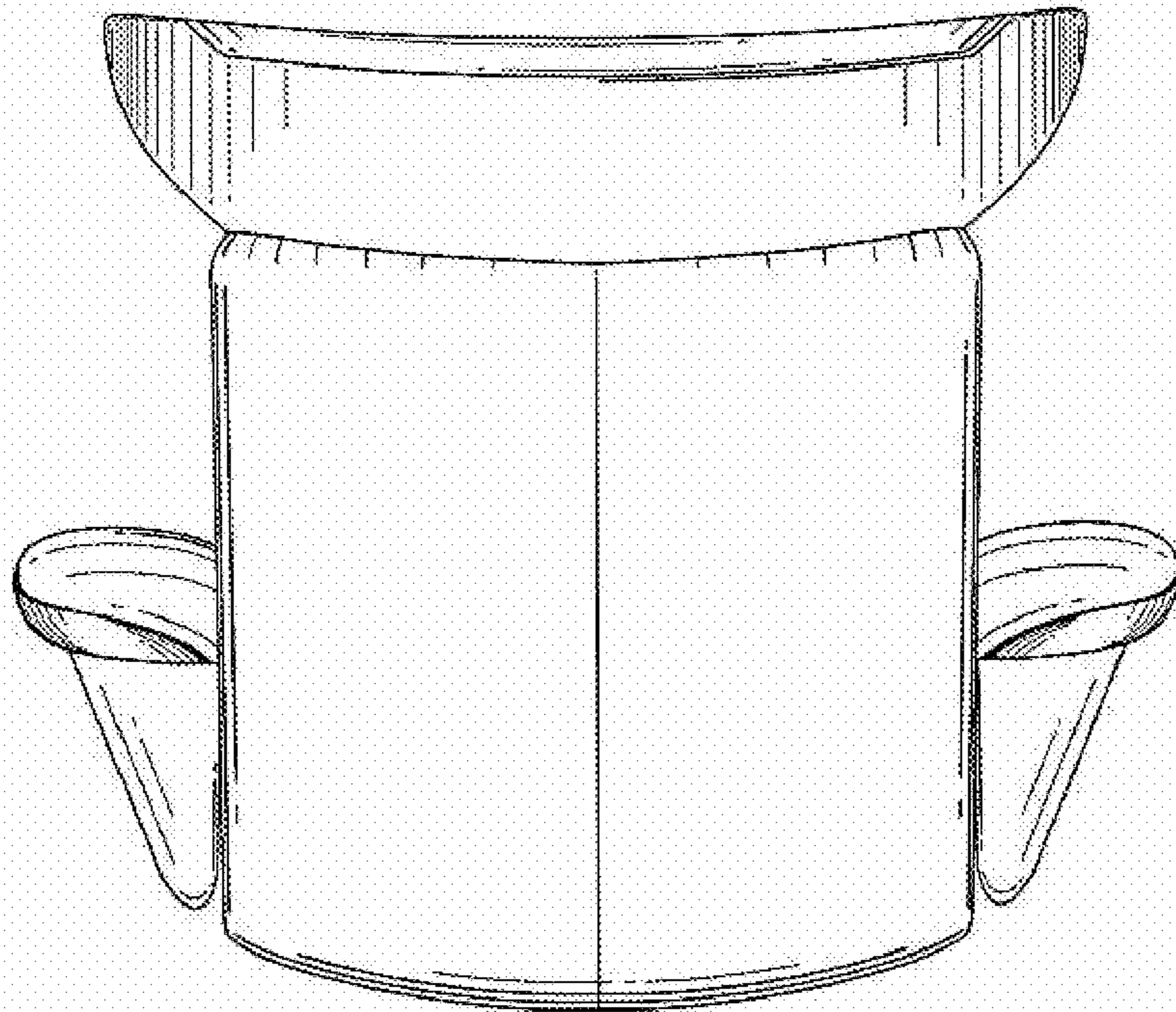


Fig. 4

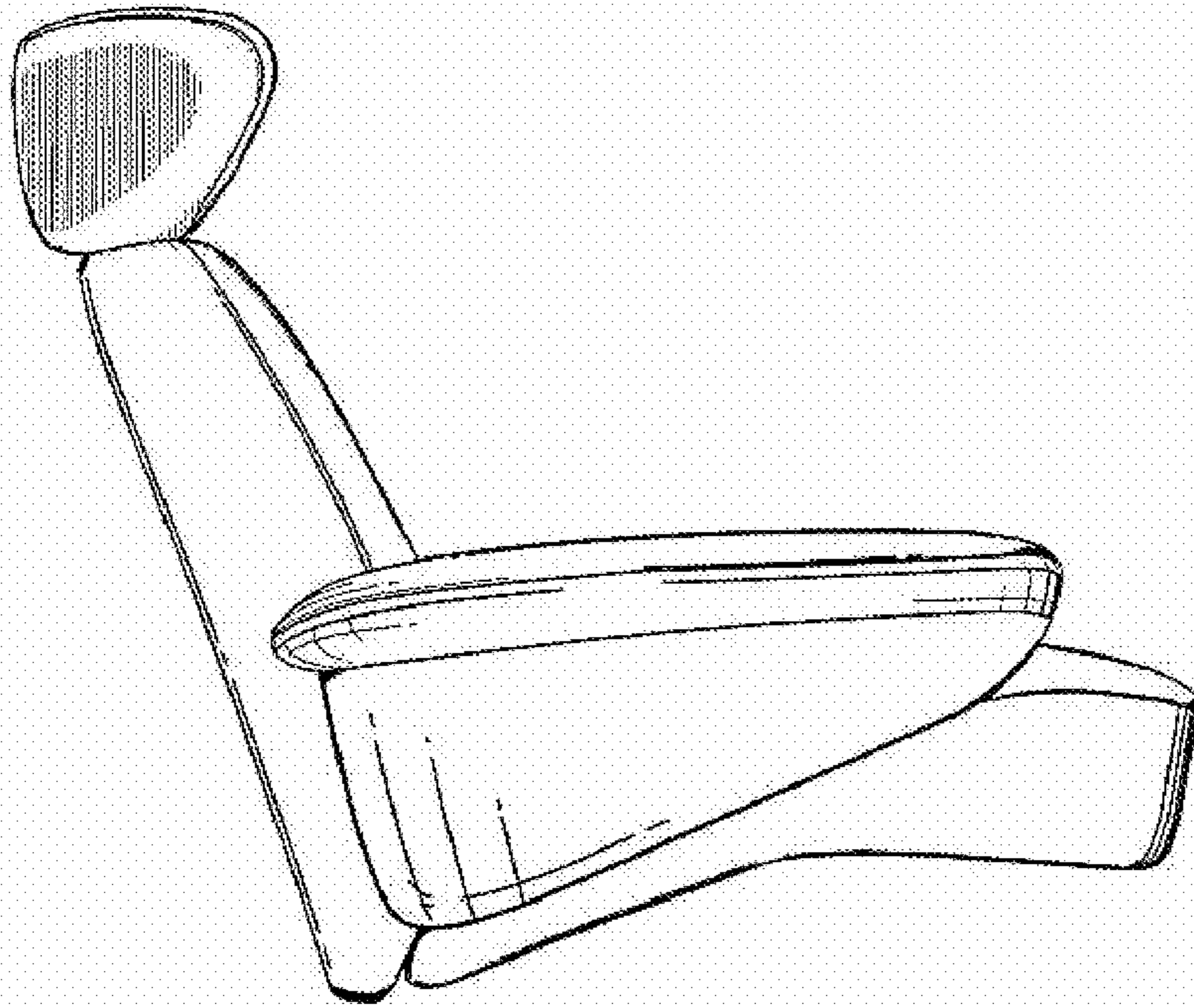


Fig. 5

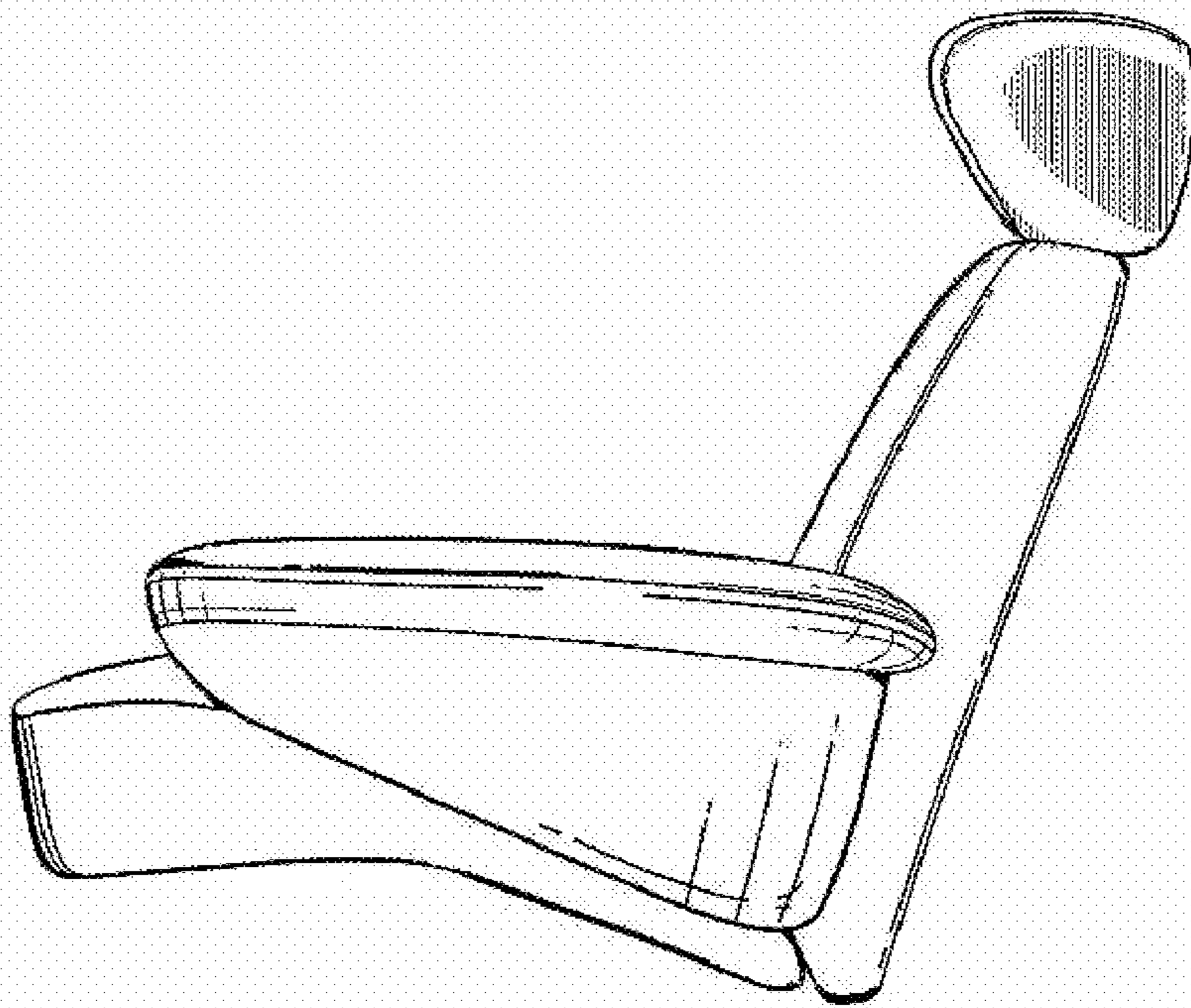


Fig. 6

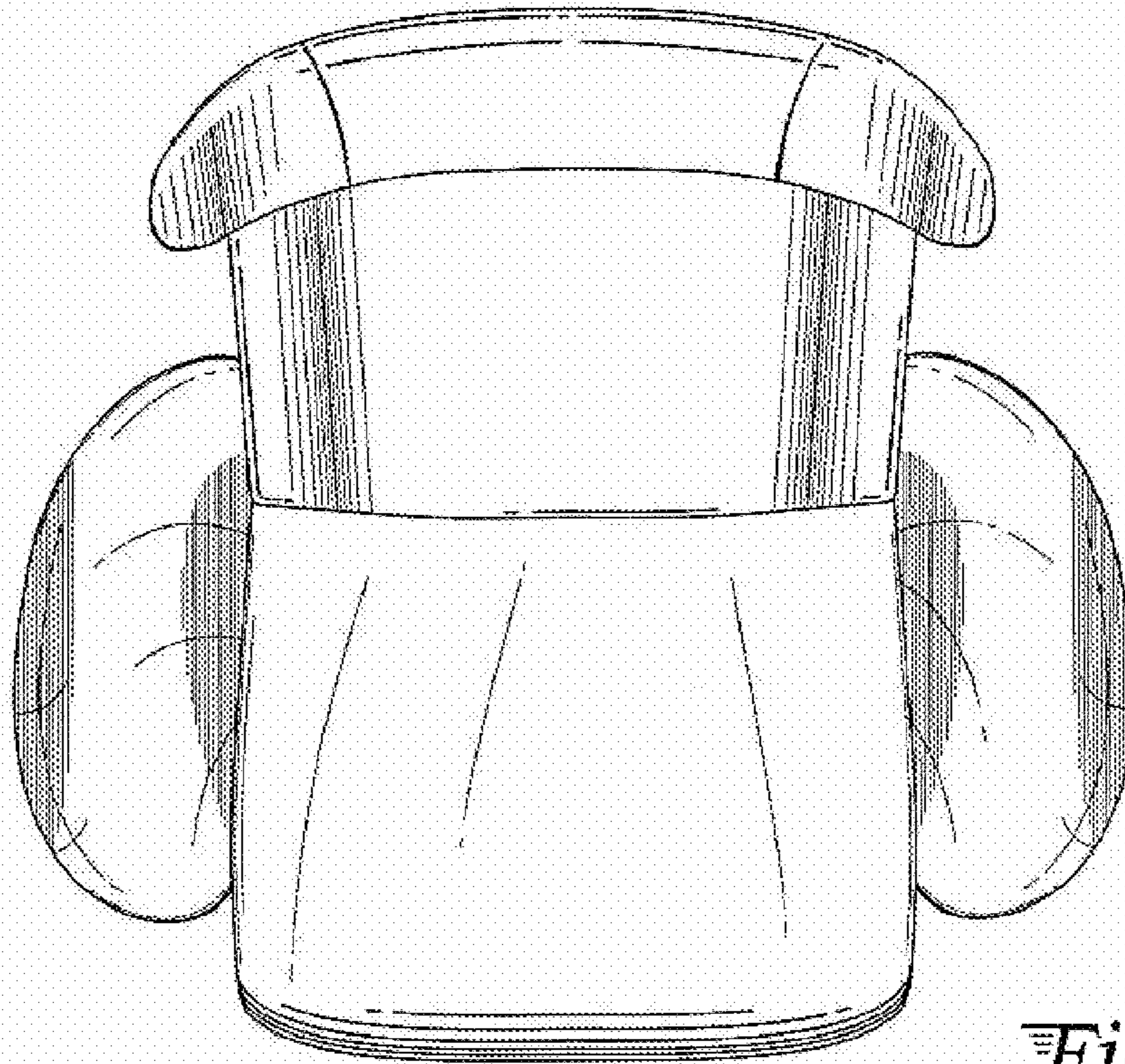


Fig. 7

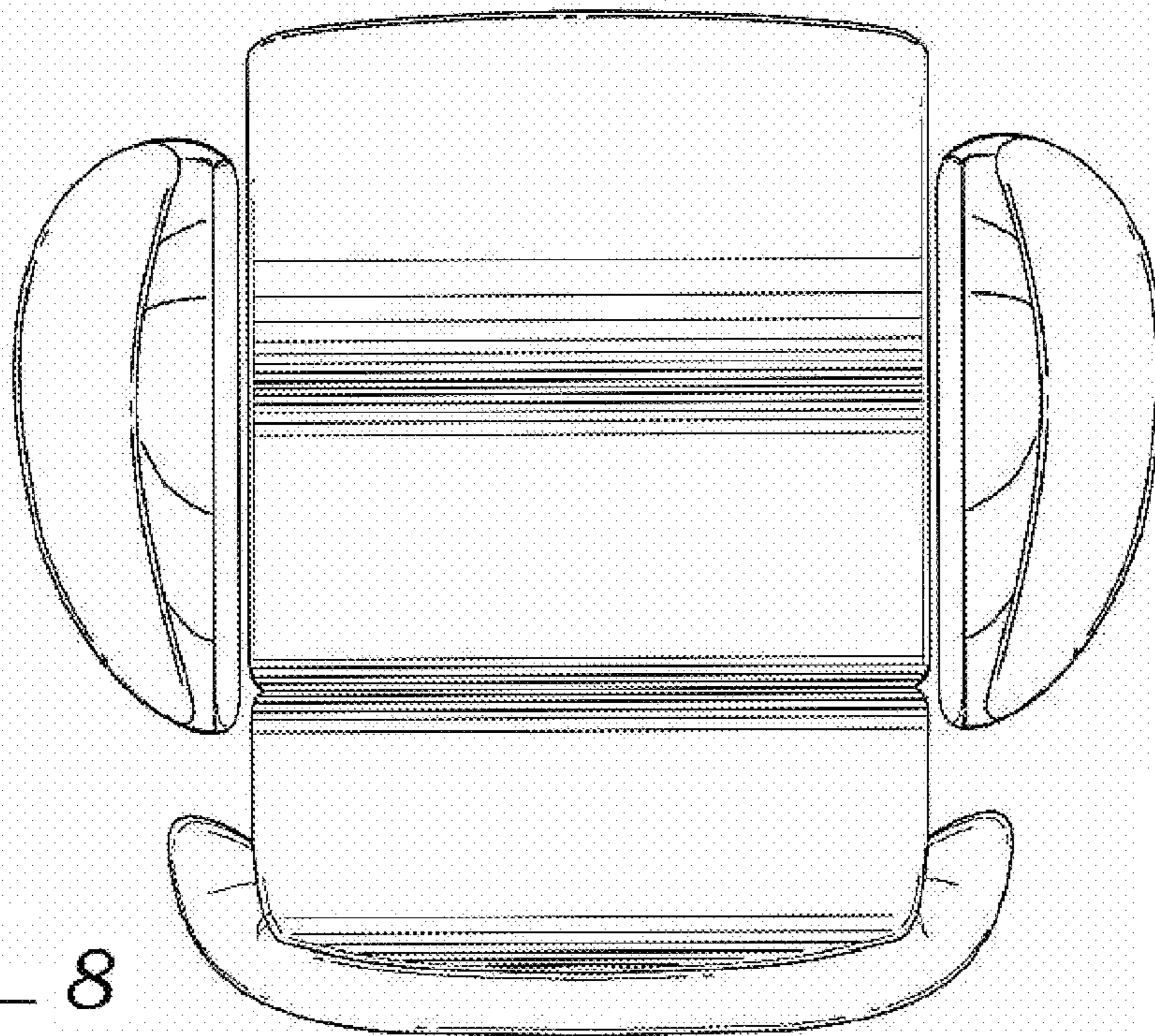


Fig. 8