



US00D558464S

(12) **United States Design Patent**  
**Mattioli**

(10) **Patent No.:** **US D558,464 S**

(45) **Date of Patent:** **\*\* Jan. 1, 2008**

(54) **CLOTHES RACK**

(76) Inventor: **Alessandro Mattioli**, Via Dante 16,  
Zola Predosa (IT)

(\*\*) Term: **14 Years**

(21) Appl. No.: **29/286,467**

(22) Filed: **May 7, 2007**

**Related U.S. Application Data**

(62) Division of application No. 29/242,638, filed on Nov.  
10, 2005, now Pat. No. Des. 547,556.

(30) **Foreign Application Priority Data**

May 13, 2005 (EM) ..... 344403

(51) **LOC (8) Cl.** ..... **06-08**

(52) **U.S. Cl.** ..... **D6/320; D6/315**

(58) **Field of Classification Search** ..... D6/315,  
D6/317, 320, 323, 325, 326, 328; 211/13.1,  
211/85.3, 86.1, 113, 118, 183; 223/85-98;  
248/200, 304, 309.1, 309.2, 317, 560  
See application file for complete search history.

(56) **References Cited**

**U.S. PATENT DOCUMENTS**

5,002,190 A \* 3/1991 Moreland ..... 211/32  
D324,960 S \* 3/1992 Rodack ..... D6/320  
D326,366 S \* 5/1992 Fung ..... D6/320  
D328,193 S \* 7/1992 Gossett ..... D6/315

D331,500 S \* 12/1992 Davati ..... D6/315  
D369,910 S \* 5/1996 McCarty ..... D6/320  
D404,580 S \* 1/1999 Hasler ..... D6/320  
D408,638 S \* 4/1999 Bonham ..... D6/320  
D426,075 S \* 6/2000 Bonham ..... D6/320  
D446,108 S \* 8/2001 Snell ..... D8/367  
D473,452 S \* 4/2003 Knapp ..... D8/367  
D493,094 S \* 7/2004 Goodman et al. .... D8/372  
D516,823 S \* 3/2006 Goodman et al. .... D6/323

\* cited by examiner

*Primary Examiner*—Stella M. Reid

*Assistant Examiner*—Shanda C. Hill

(74) *Attorney, Agent, or Firm*—Andrew Wilford

(57) **CLAIM**

The ornamental design for a clothes rack, as shown.

**DESCRIPTION**

FIG. 1 is a top, front, left-side perspective view of the clothes rack showing my new design;

FIG. 2 is a front elevational view thereof;

FIG. 3 is a top plan view thereof;

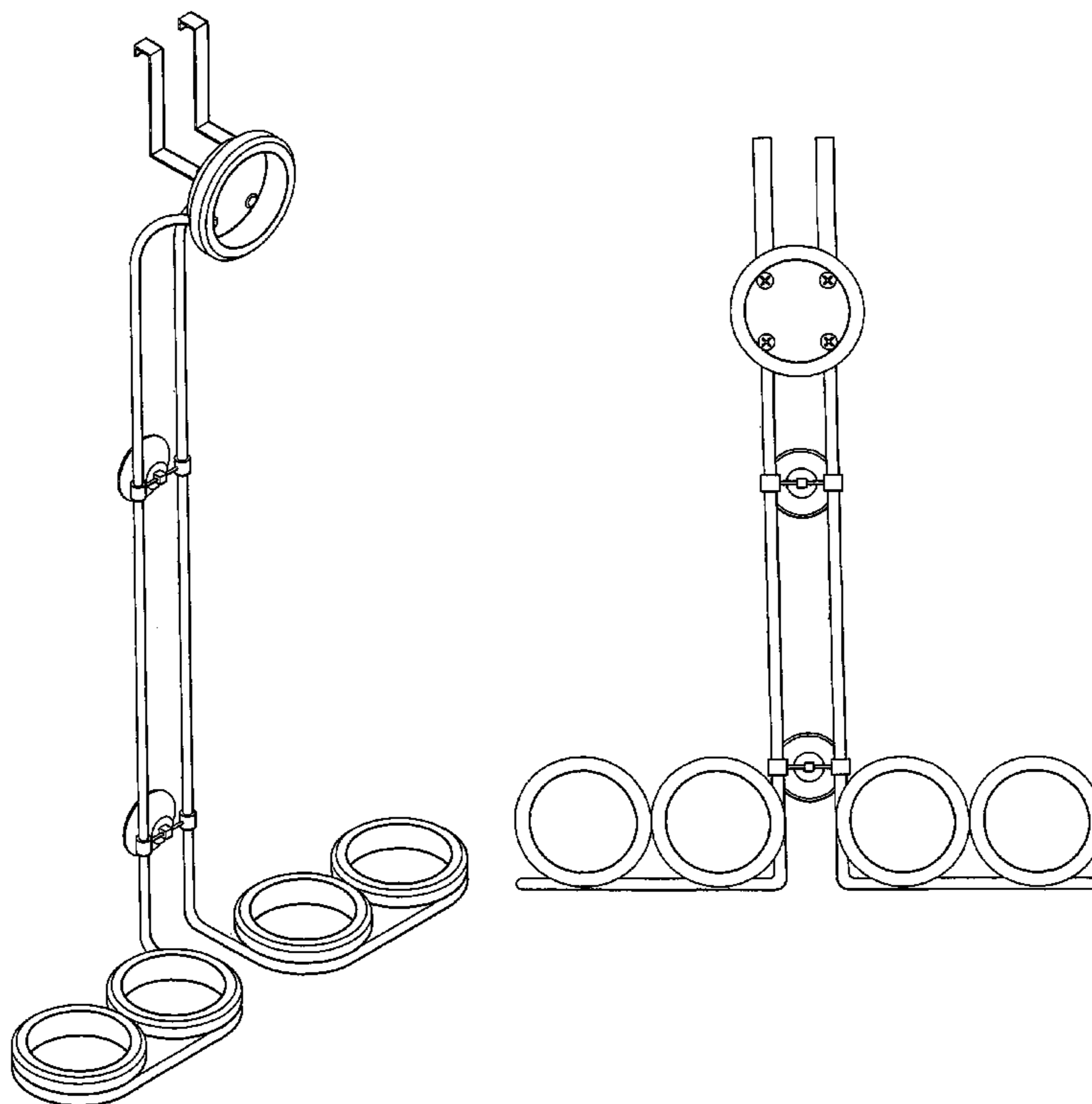
FIG. 4 is a bottom plan view thereof;

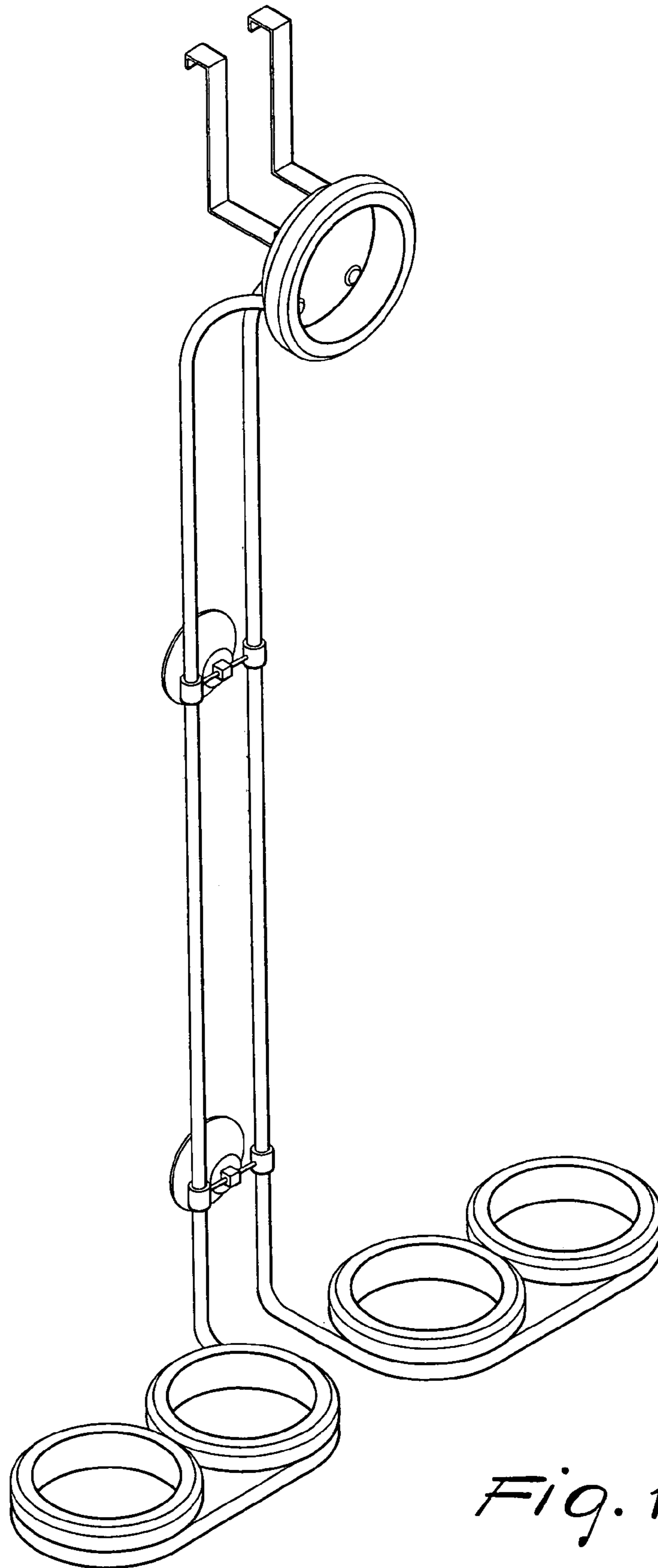
FIG. 5 is a left-side elevational view thereof, the right-side elevational view being a mirror image thereto;

FIG. 6 is a rear elevational view thereof; and,

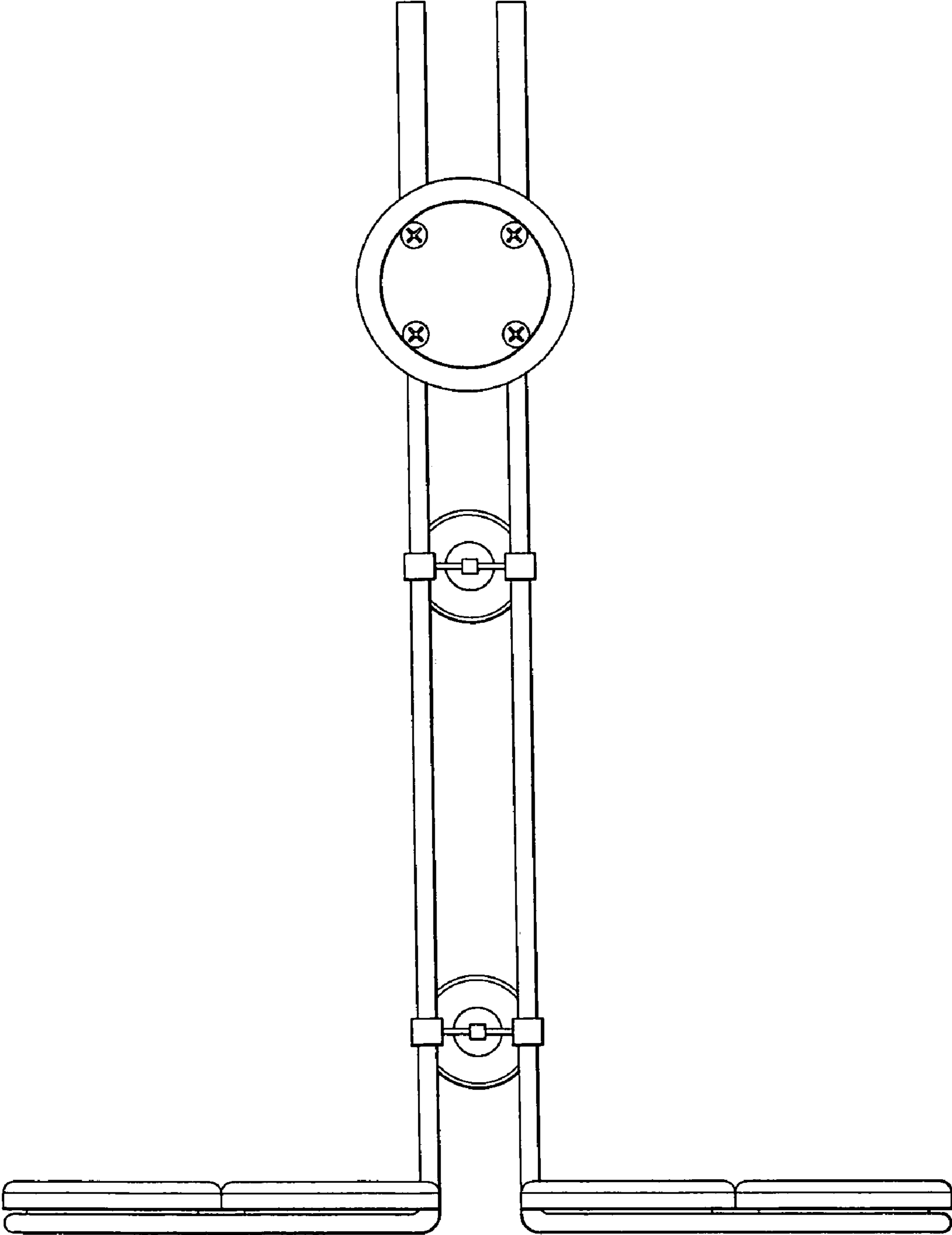
FIG. 7 is a front elevational view thereof shown in an alternate position.

**1 Claim, 6 Drawing Sheets**

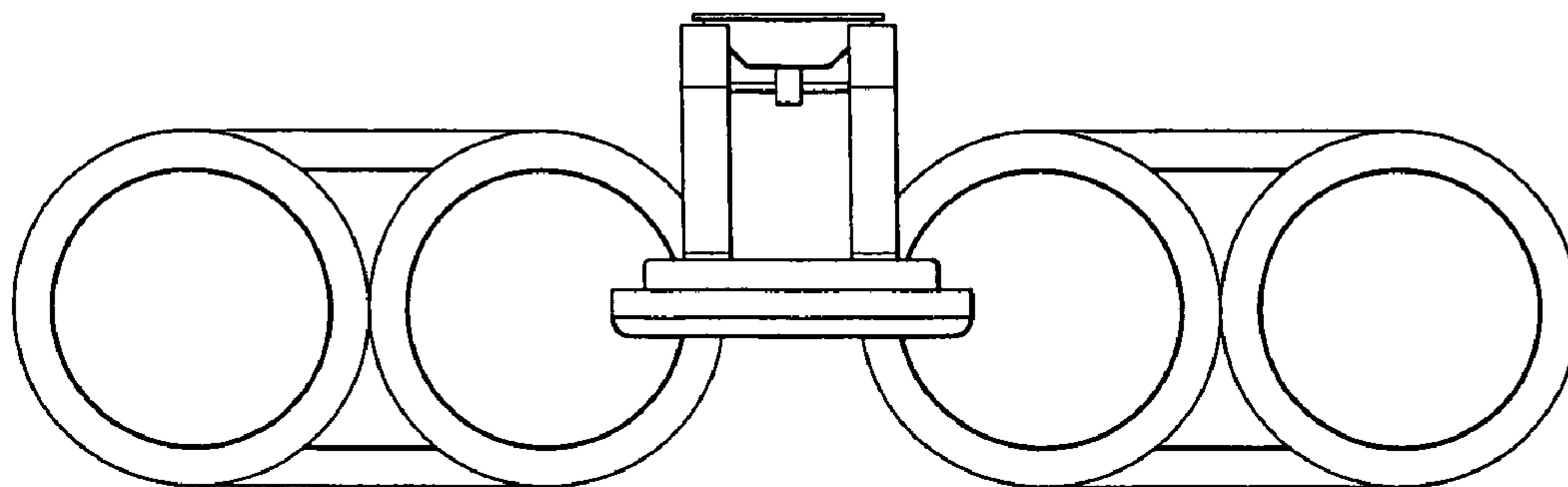




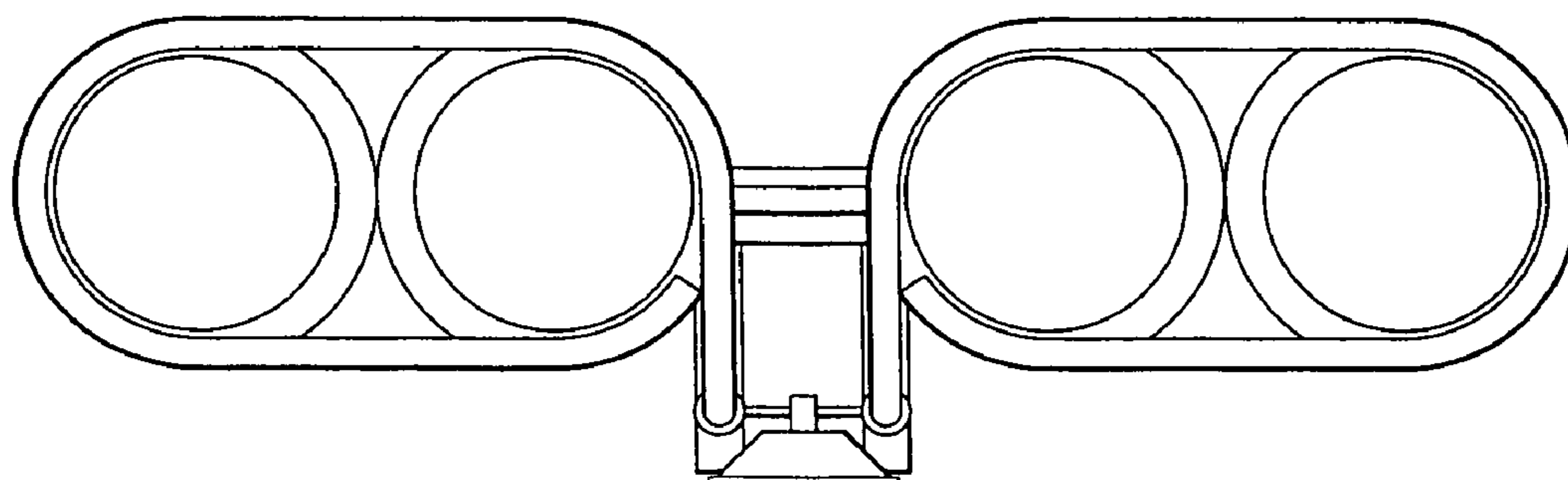
*Fig. 1*



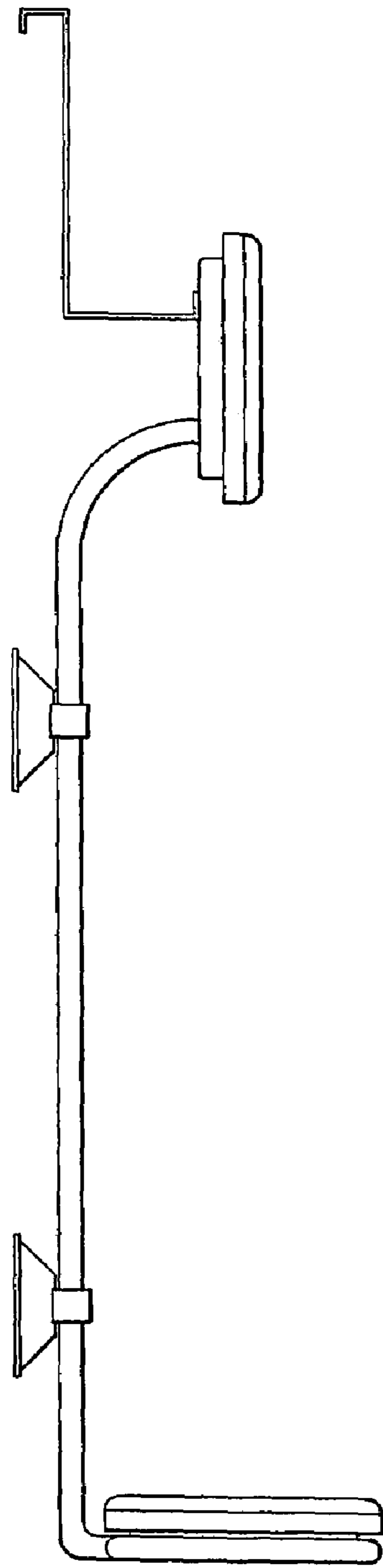
*Fig. 2*



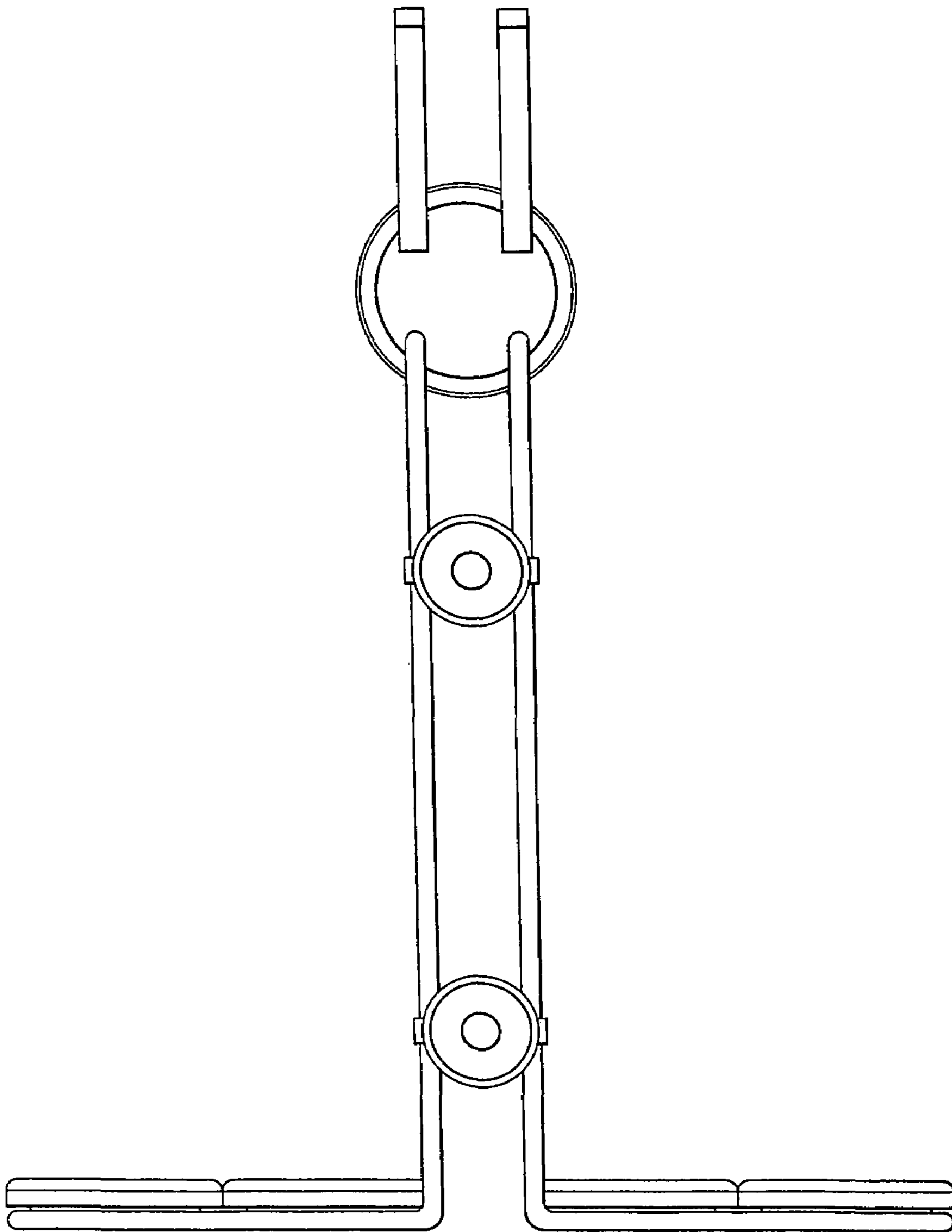
*Fig. 3*



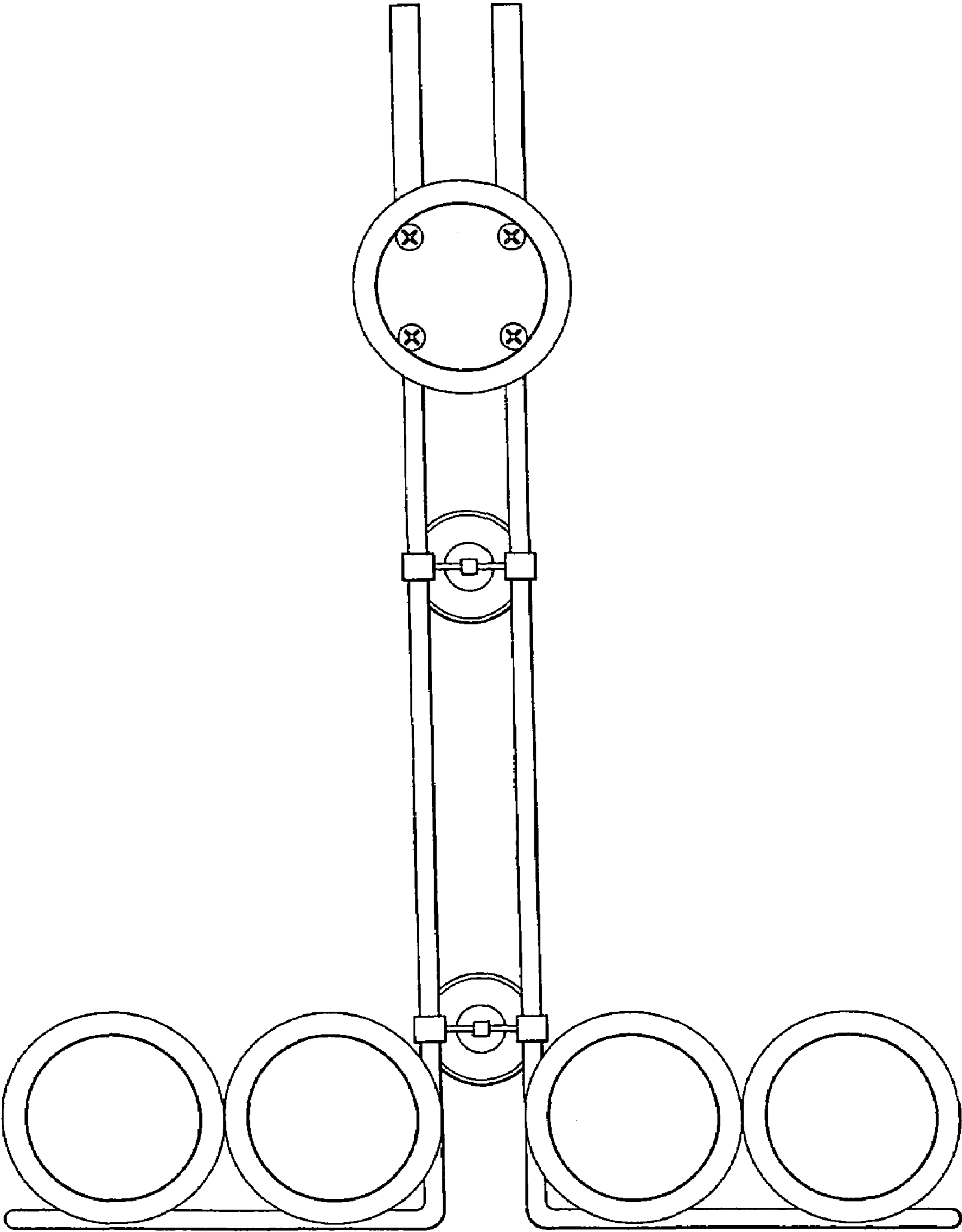
*Fig. 4*



*Fig. 5*



*Fig. 6*



*Fig. 7*