



US00D558462S

(12) **United States Design Patent**
Mattioli

(10) **Patent No.:** **US D558,462 S**
(45) **Date of Patent:** **** Jan. 1, 2008**

(54) **CLOTHES RACK**

(76) Inventor: **Alessandro Mattioli**, Via Dante 16,
Zola Predosa (IT)

(**) Term: **14 Years**

(21) Appl. No.: **29/286,465**

(22) Filed: **May 7, 2007**

Related U.S. Application Data

(62) Division of application No. 29/242,638, filed on Nov.
10, 2005, now Pat. No. Des. 547,556.

(30) **Foreign Application Priority Data**

May 13, 2005 (EM) 344403

(51) **LOC (8) Cl.** **06-08**

(52) **U.S. Cl.** **D6/320; D6/315**

(58) **Field of Classification Search** D6/315,
D6/317, 320, 323, 325, 326, 328; 211/13.1,
211/85.3, 86.1, 113, 118, 183; 223/85-98;
248/200, 304, 309.1, 309.2, 317, 560
See application file for complete search history.

(56) **References Cited**

U.S. PATENT DOCUMENTS

5,002,190 A * 3/1991 Moreland 211/32
D324,960 S * 3/1992 Rodack D6/320
D326,366 S * 5/1992 Fung D6/320
D328,193 S * 7/1992 Gossett D6/315

D331,500 S * 12/1992 Davati D6/315
D369,910 S * 5/1996 McCarty D6/320
D404,580 S * 1/1999 Hasler D6/320
D408,638 S * 4/1999 Bonham D6/320
D426,075 S * 6/2000 Bonham D6/320
D446,108 S * 8/2001 Snell D8/367
D473,452 S * 4/2003 Knapp D8/367
D493,094 S * 7/2004 Goodman et al. D8/372
D516,823 S * 3/2006 Goodman et al. D6/323

* cited by examiner

Primary Examiner—Stella M. Reid

Assistant Examiner—Shanda C. Hill

(74) *Attorney, Agent, or Firm*—Andrew Wilford

(57) **CLAIM**

The ornamental design for a clothes rack, as shown.

DESCRIPTION

FIG. 1 is a top, front, left-side perspective view of the
clothes rack showing my new design;

FIG. 2 is a front elevational view thereof;

FIG. 3 is a top plan view thereof;

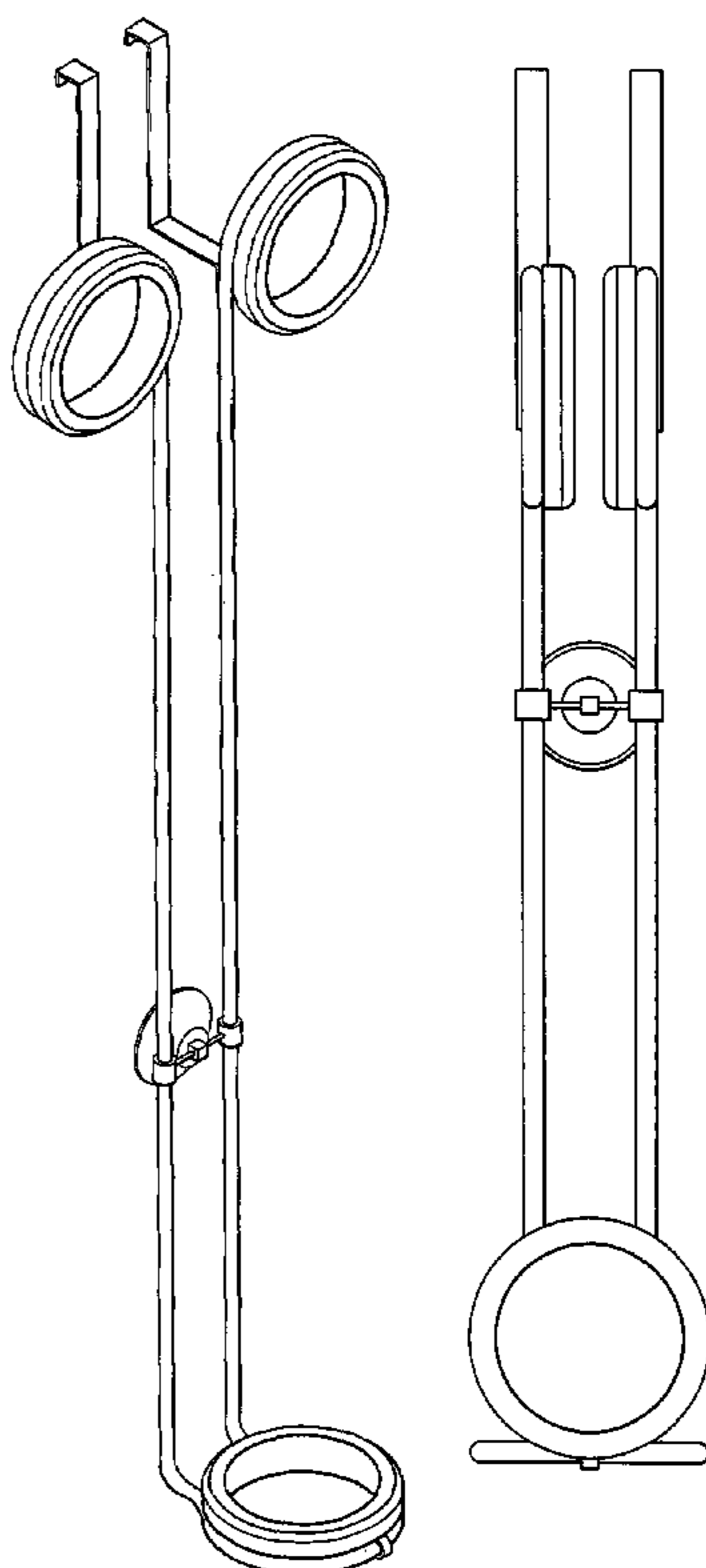
FIG. 4 is a bottom plan view thereof;

FIG. 5 is a left-side elevational view thereof, the right-side
elevational view being a mirror image thereto;

FIG. 6 is a rear elevational view thereof; and,

FIG. 7 is a front elevational view thereof shown in an
alternate position.

1 Claim, 3 Drawing Sheets



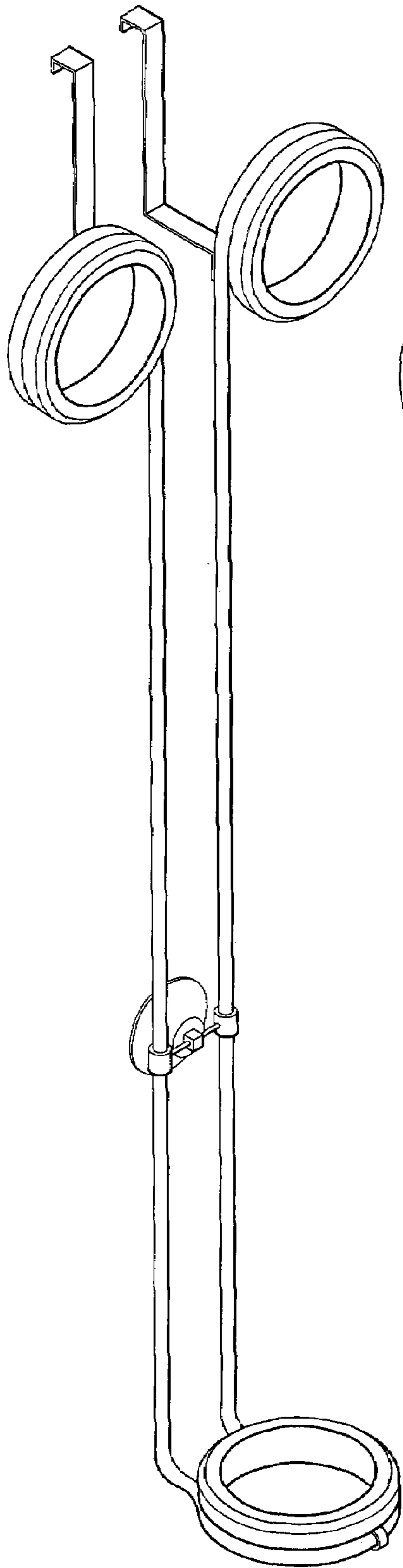


Fig. 1

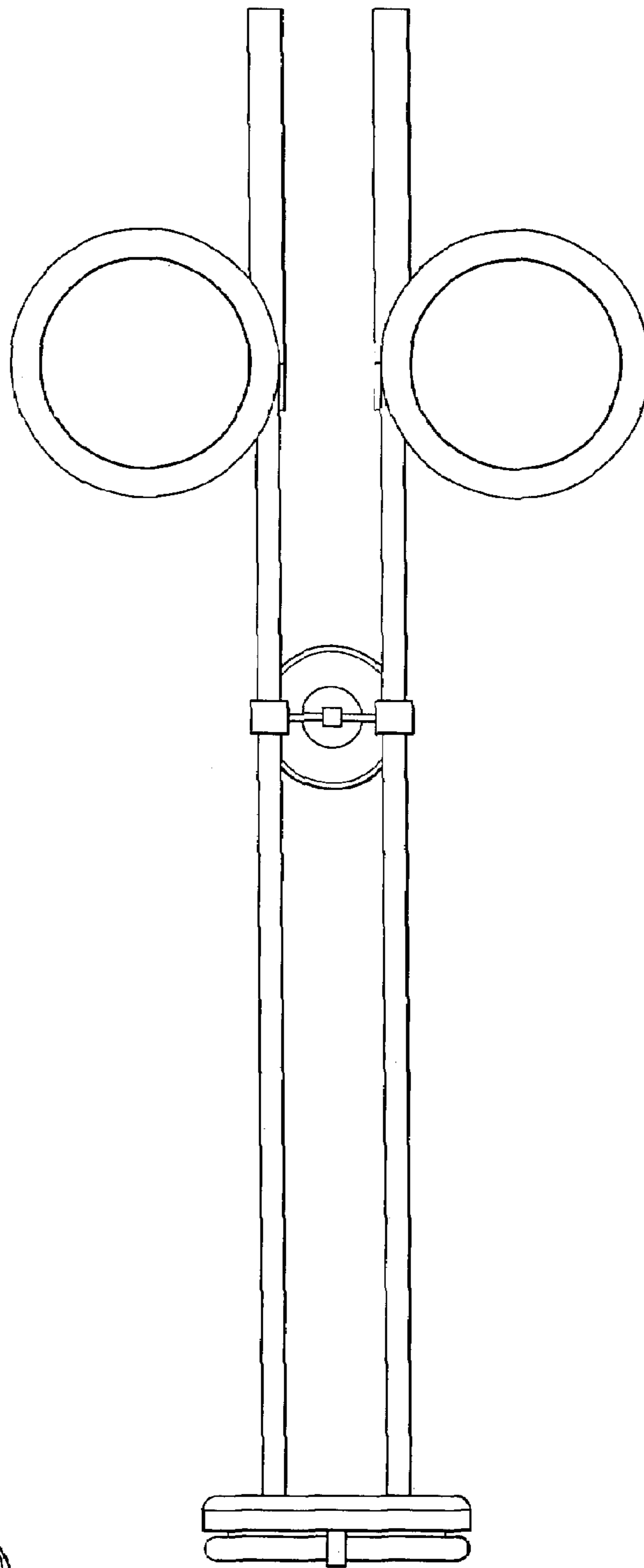


Fig. 2

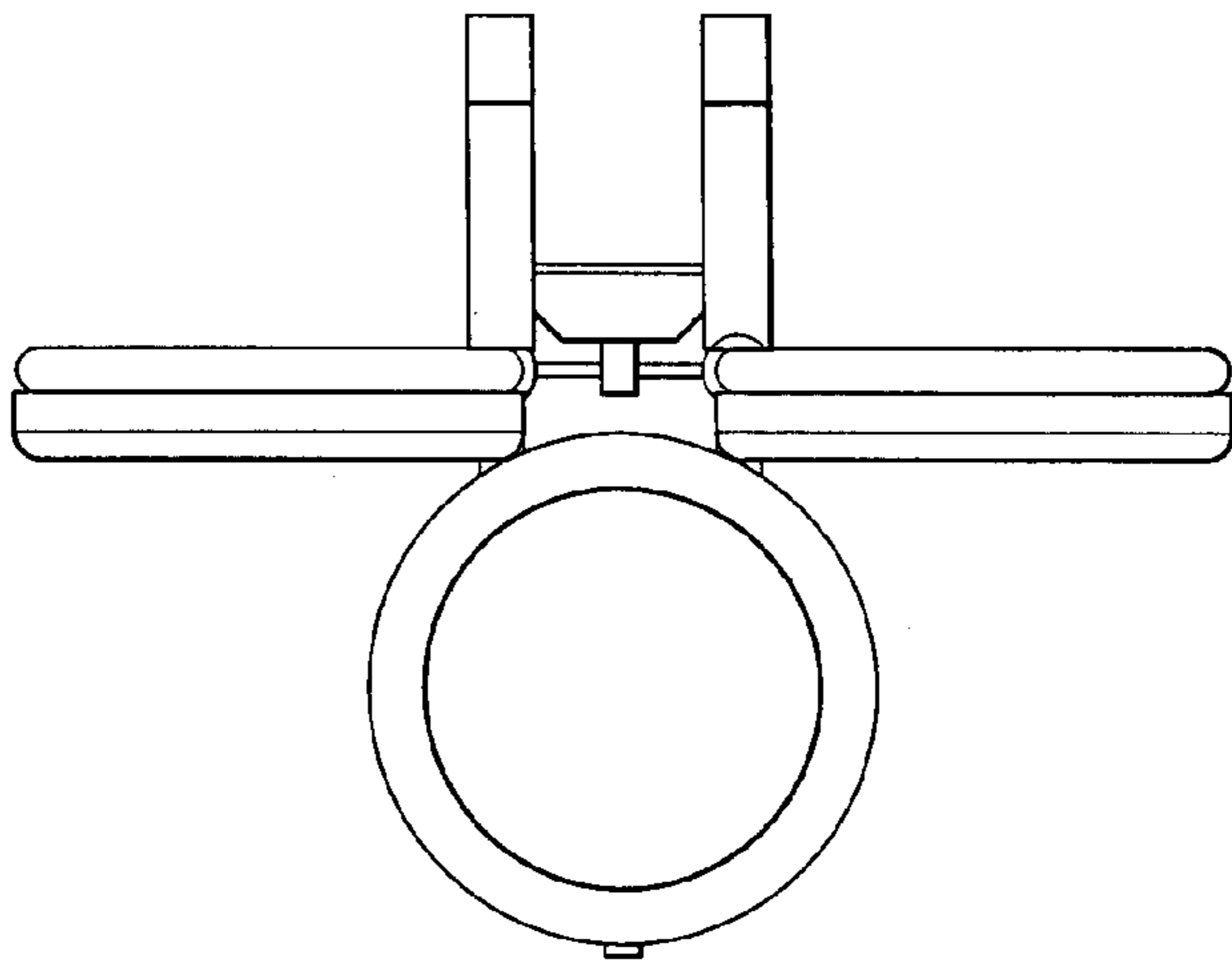


Fig. 3

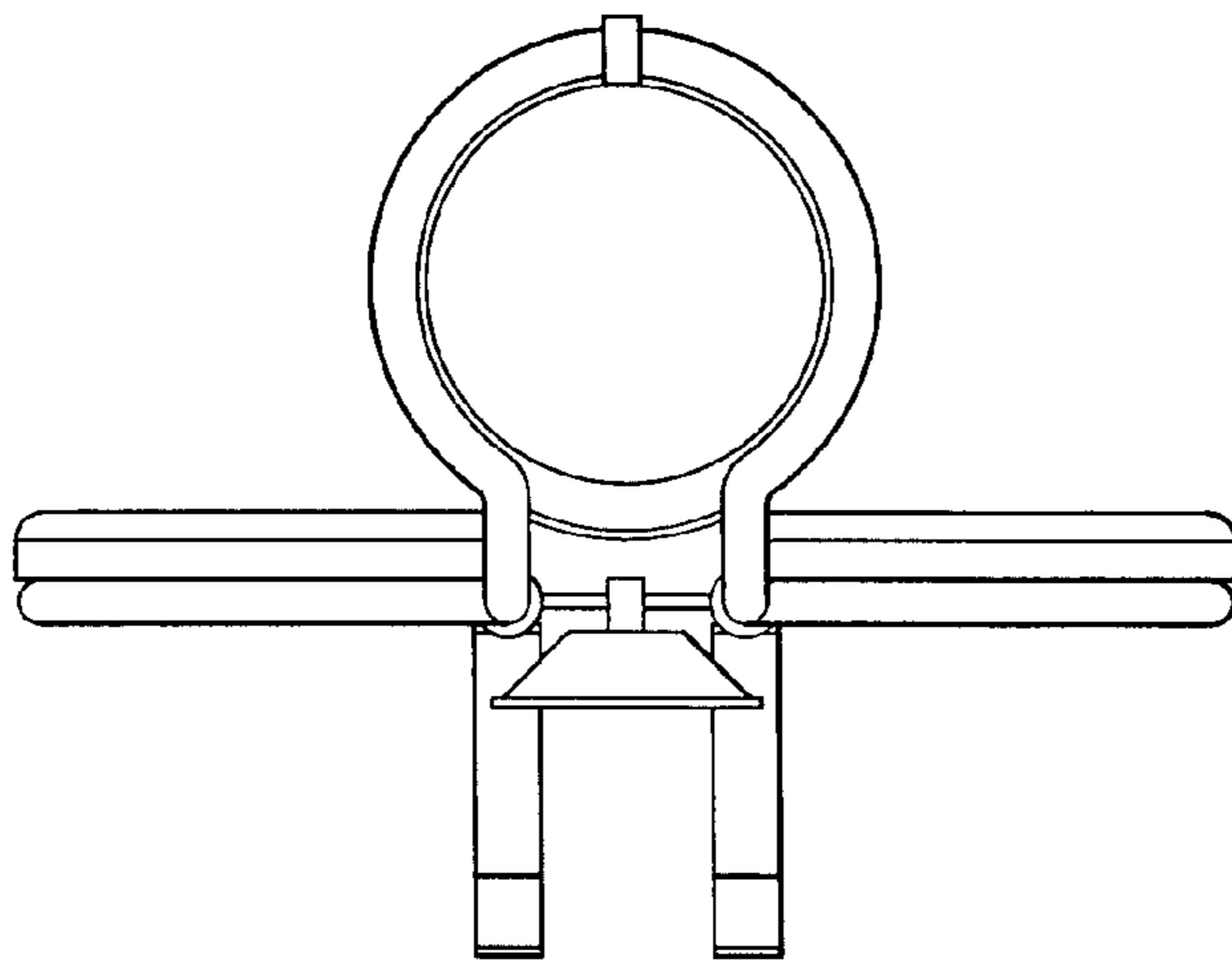


Fig. 4

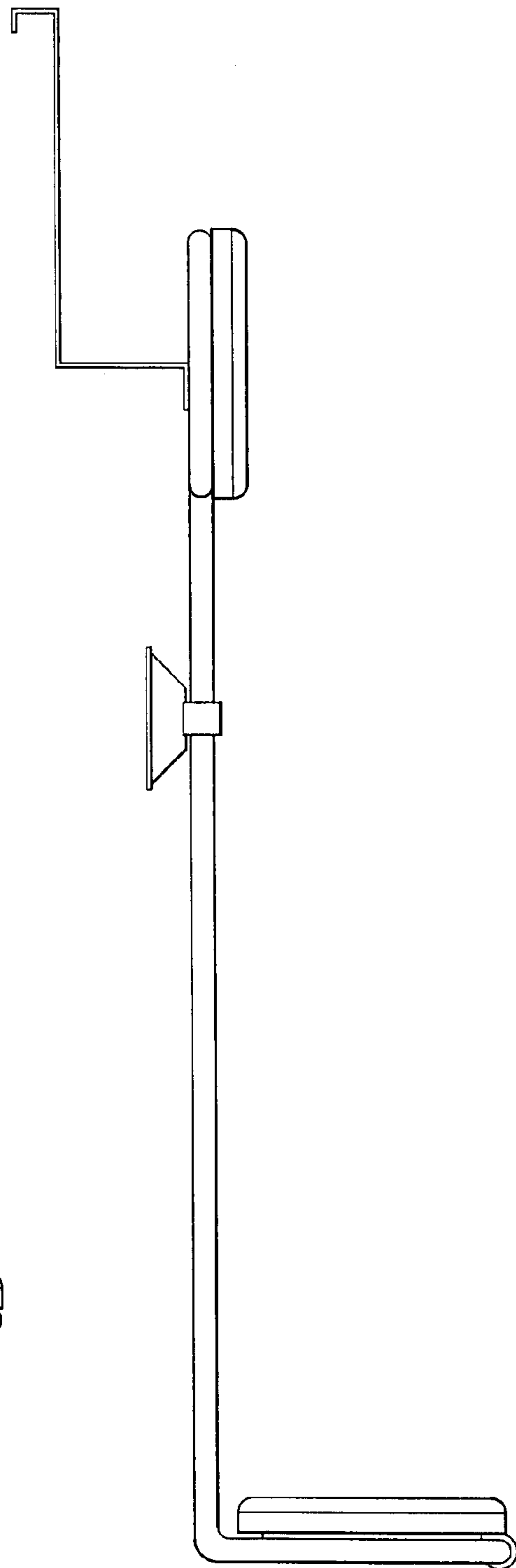


Fig. 5

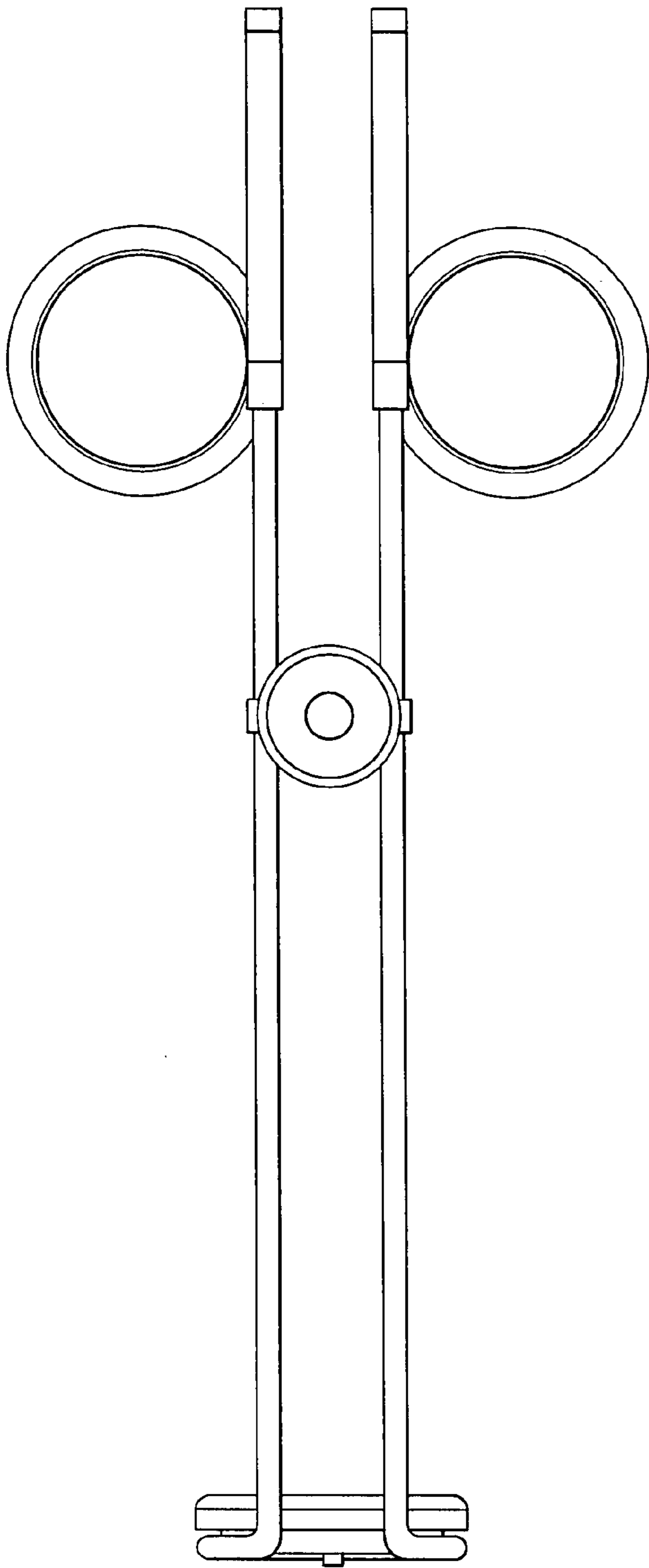


Fig. 6

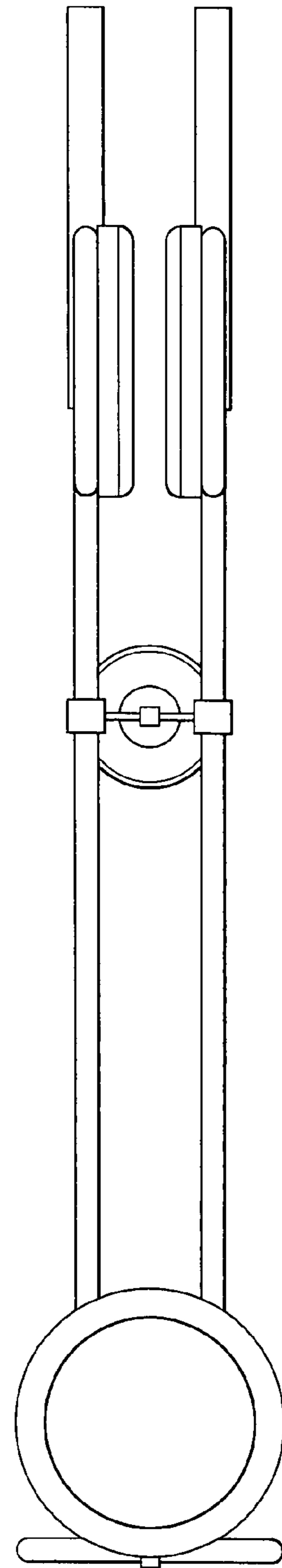


Fig. 7