



US00D558457S

(12) **United States Design Patent**
Boyer et al.

(10) **Patent No.:** **US D558,457 S**
(45) **Date of Patent:** **** Jan. 1, 2008**

(54) **BODY FOR A CLEANING IMPLEMENT**

D434,912 S 12/2000 Dutra
D487,974 S 4/2004 Pinochi
D499,555 S 12/2004 Molek et al.
6,877,181 B2 4/2005 Laux et al.

(75) Inventors: **Christopher T. Boyer**, Oak Park, IL (US); **Timothy J. Molek**, La Grange, IL (US)

OTHER PUBLICATIONS

(73) Assignee: **Freudenberg Household Products, LP**, Northlake, IL (US)

WIPO DM/061157 Industrial Design Registration, Oct. 16, 2001, [online] Retrieved from the Internet <URL: <http://www.wipo.int>>.

(**) Term: **14 Years**

Primary Examiner—Cathron C. Brooks

Assistant Examiner—Lavone D. Tabor

(21) Appl. No.: **29/208,816**

(74) *Attorney, Agent, or Firm*—Leydig, Voit & Mayer, Ltd.

(22) Filed: **Jul. 2, 2004**

(57) **CLAIM**

(51) **LOC (8) Cl.** **04-99**

The ornamental design for a body for a cleaning implement, as shown and described.

(52) **U.S. Cl.** **D4/199**

(58) **Field of Classification Search** D4/129, D4/132, 135, 199; D32/50; 15/146, 147.1, 15/159.1, 160, 171, 175, 176.1, 176.2
See application file for complete search history.

DESCRIPTION

FIG. 1 is a front perspective view of a body for a cleaning implement.

FIG. 2 is a first side elevational view of the body in FIG. 1, the second side elevational view being a mirror image thereof.

FIG. 3 is a front elevational view of the body in FIG. 1.

FIG. 4 is a rear elevational view of the body in FIG. 1; and,

FIG. 5 is a top plan view of the body in FIG. 1.

The broken lines showing a shaft, bristles and remaining portions of the body in FIGS. 1–5 are for illustrative purposes only and form no part of the claimed design.

(56) **References Cited**

U.S. PATENT DOCUMENTS

| | | |
|-------------|---------|------------------|
| 2,653,056 A | 9/1953 | Montero et al. |
| 4,360,940 A | 11/1982 | Smith |
| 4,524,938 A | 6/1985 | Strahs et al. |
| 4,606,091 A | 8/1986 | Sartori |
| 4,637,660 A | 1/1987 | Weihrauch |
| 4,723,663 A | 2/1988 | Learn |
| 5,517,710 A | 5/1996 | Hisey |
| D374,352 S | 10/1996 | Sartori |
| D411,920 S | 7/1999 | Vosbikian et al. |

1 Claim, 4 Drawing Sheets

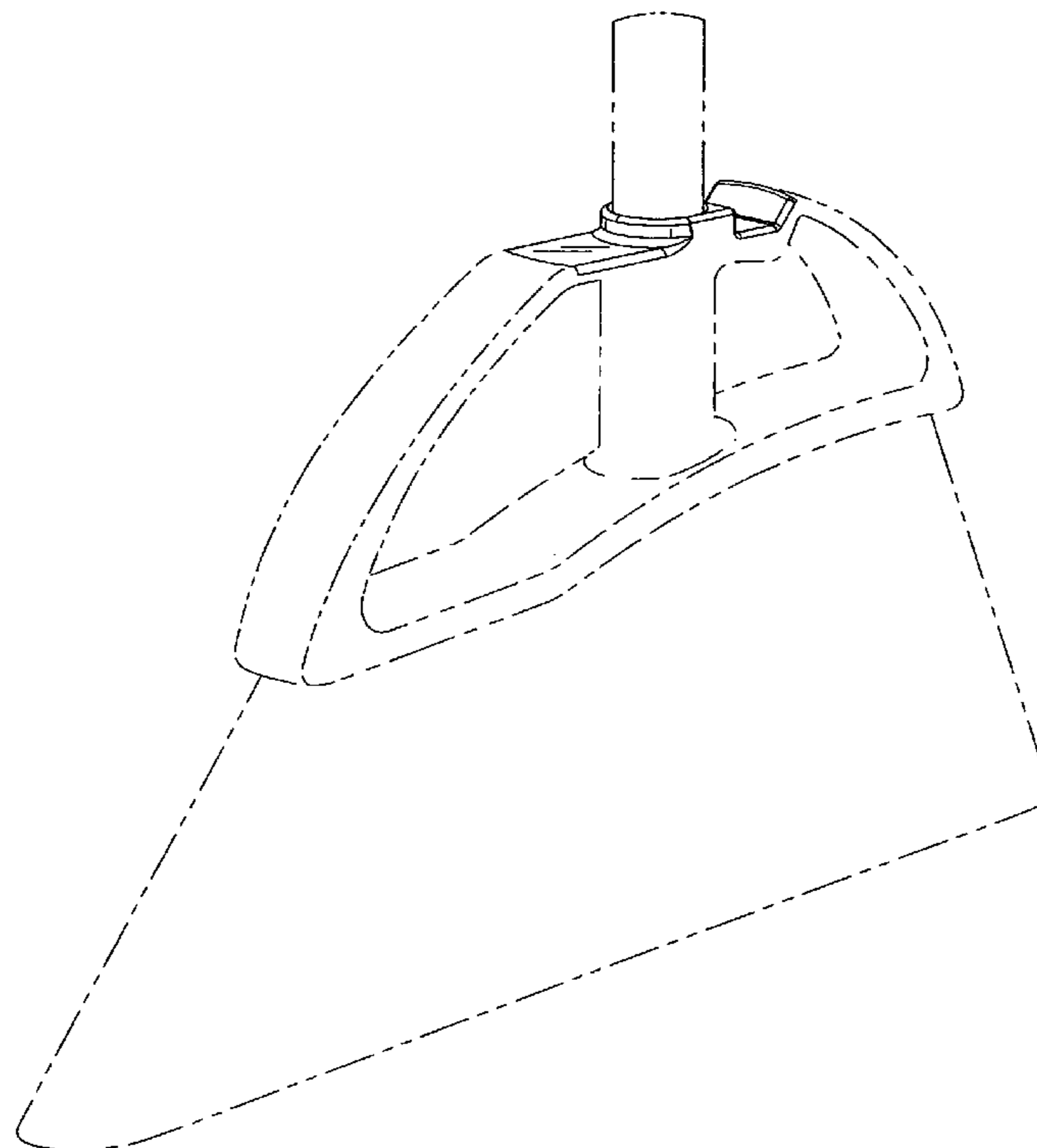
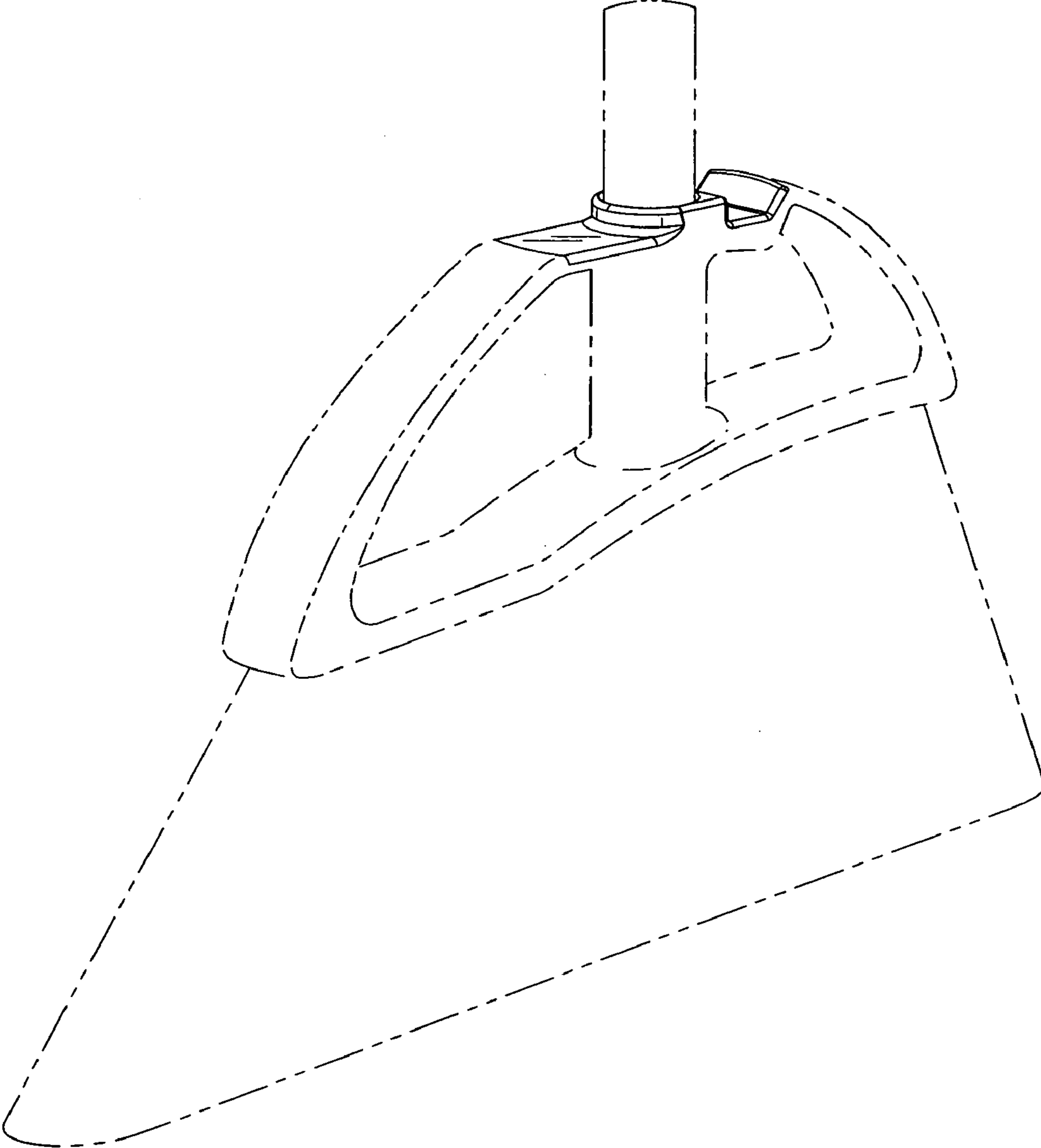


FIG. 1



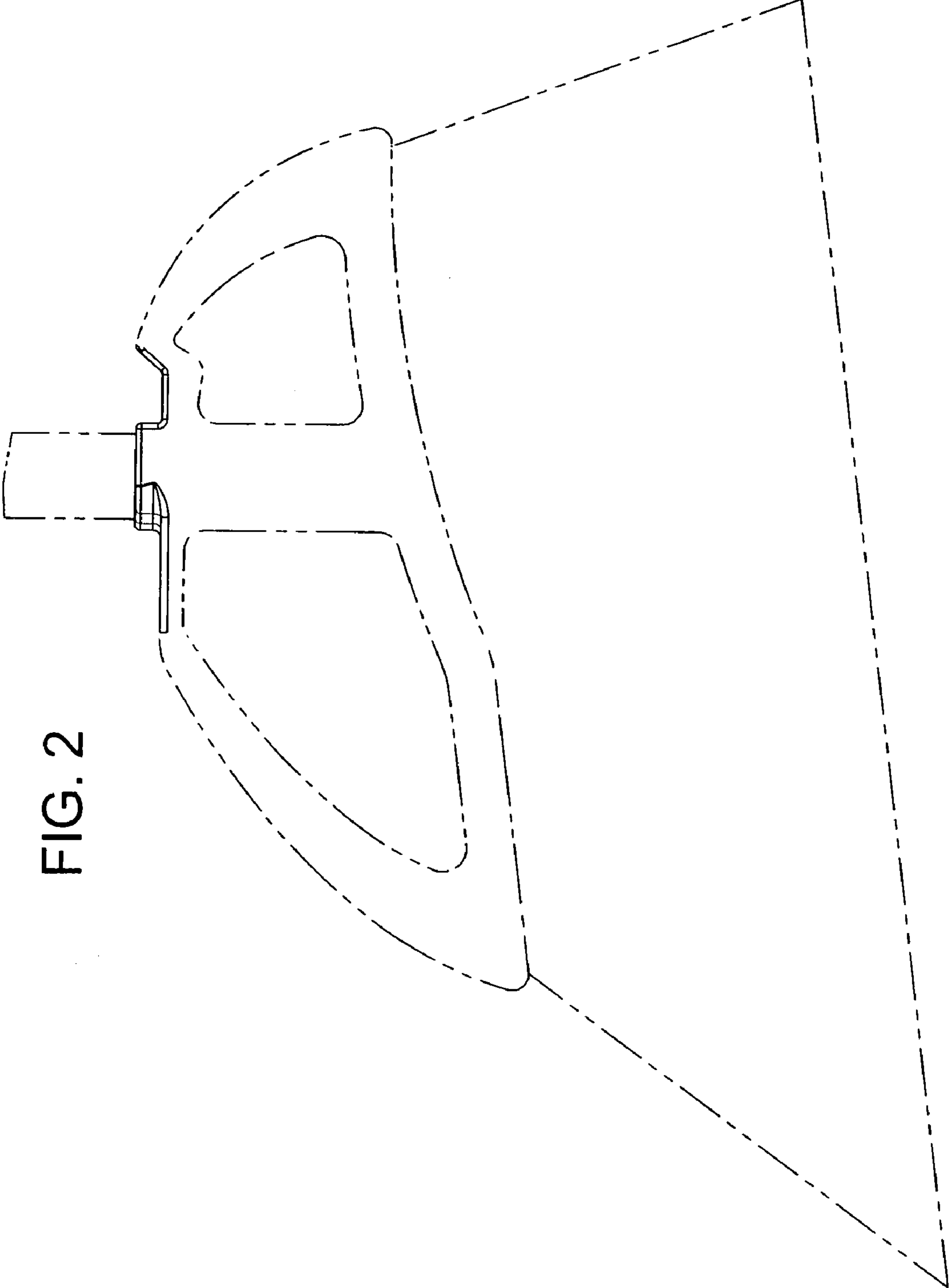


FIG. 2

FIG. 3

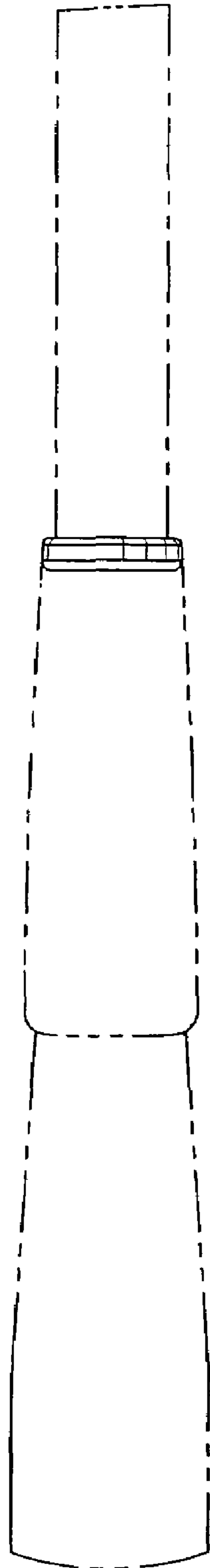


FIG. 4

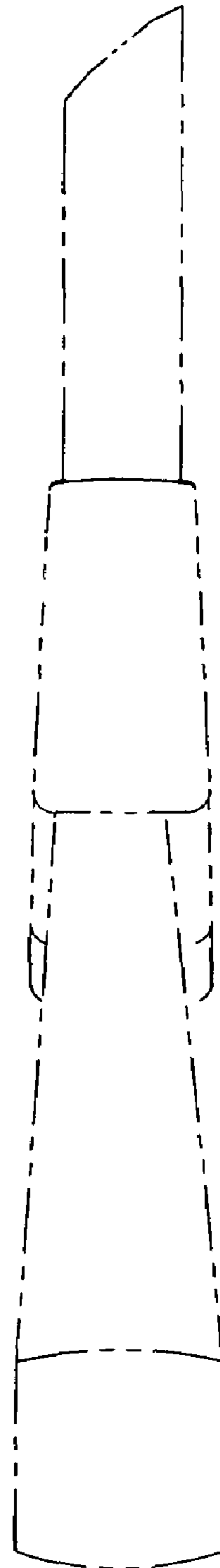


FIG. 5

