



US00D558426S

(12) **United States Design Patent**
Della Valle

(10) **Patent No.:** **US D558,426 S**
(45) **Date of Patent:** **** Jan. 1, 2008**

(54) **ACCESSORIES FOR A FOULARD**
(75) Inventor: **Diego Della Valle**, Sant'Elpidio a Mare (IT)
(73) Assignee: **Tod's S.p.A.**, Sant'Elpidio a Mare (Ascoli Piceno) (IT)

3,607,442 A * 9/1971 Hall 204/196.1
D231,810 S * 6/1974 Basinai D2/629
D314,081 S * 1/1991 Lehman D2/625
5,058,881 A * 10/1991 Measom 248/188.2
5,085,060 A * 2/1992 Matsushita 24/507
5,454,121 A * 10/1995 Mellinger 2/207
5,709,013 A * 1/1998 Stanback 24/66.11

(**) Term: **14 Years**
(21) Appl. No.: **29/251,495**
(22) Filed: **Jan. 10, 2006**

* cited by examiner
Primary Examiner—Ian Simmons
Assistant Examiner—Melanie Levy
(74) *Attorney, Agent, or Firm*—Sughrue Mion Pllc.

Related U.S. Application Data

(62) Division of application No. 29/197,738, filed on Jan. 21, 2004, now Pat. No. Des. 523,211.

(57) **CLAIM**

The ornamental design for an accessory for a foulard, as shown and described.

Foreign Application Priority Data

(30) Jul. 21, 2003 (IT) TO20030123

DESCRIPTION

(51) **LOC (8) Cl.** **02-05**
(52) **U.S. Cl.** **D2/500**
(58) **Field of Classification Search** D2/600–609,
D2/624–640; 2/133–137; 24/3.4, 49.1,
24/66.11, 507, 114.9
See application file for complete search history.

FIG. 1 is a front elevational view of an accessory for a foulard according to a third embodiment;
FIG. 2 is a rear elevational view thereof;
FIG. 3 is a right side elevational view thereof;
FIG. 4 is a left side elevational view thereof;
FIG. 5 is a top plan view thereof;
FIG. 6 is a bottom plan view thereof;
FIG. 7 is a perspective view of the front and right side thereof; and,
FIG. 8 is a front elevational view showing the intended use of the accessory for a foulard.
The dashed lines on the surface of the article represent stitching.

(56) **References Cited**
U.S. PATENT DOCUMENTS

236,383 A * 1/1881 Waldeck 24/114.9
D29,690 S * 11/1898 Neuberger D2/625
D65,524 S * 9/1924 Friedman D2/605
D107,643 S * 12/1937 Govan D2/625
2,433,262 A * 12/1947 Cook D2/625
2,846,688 A * 8/1958 Meeker D2/607

1 Claim, 3 Drawing Sheets

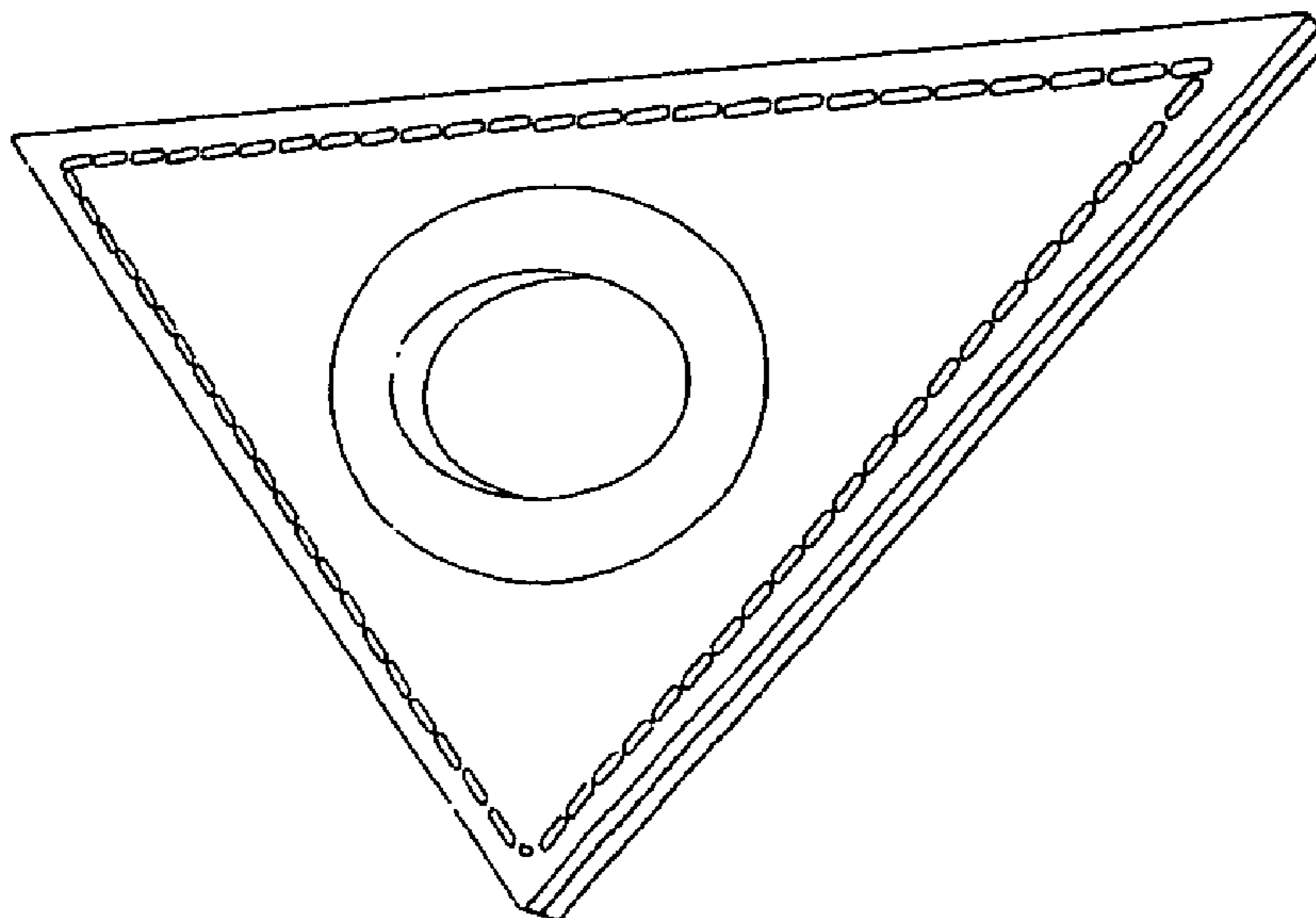


FIG. 2

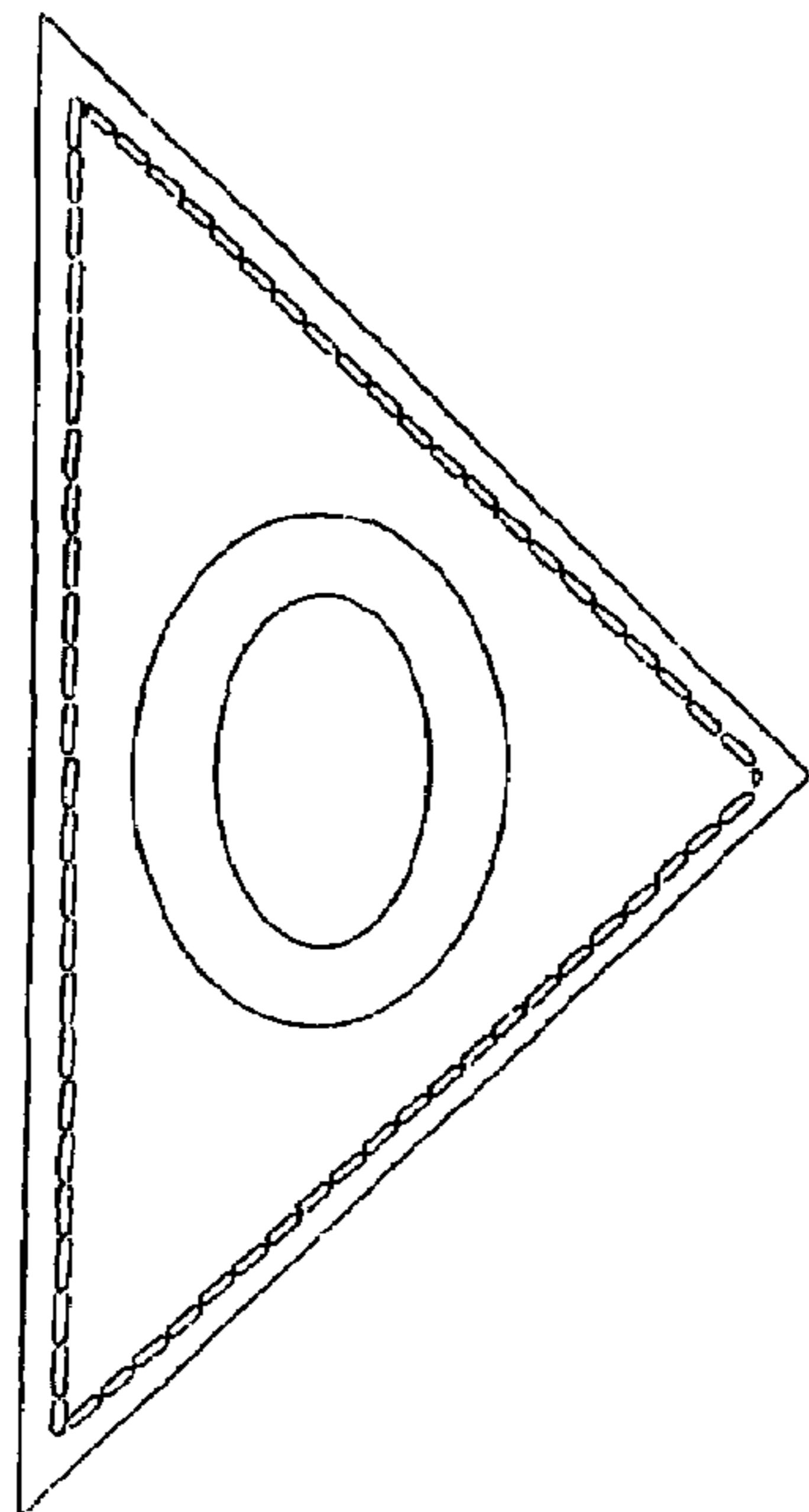


FIG. 4

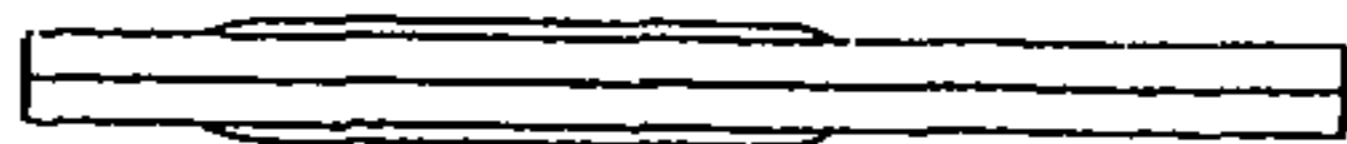


FIG. 1

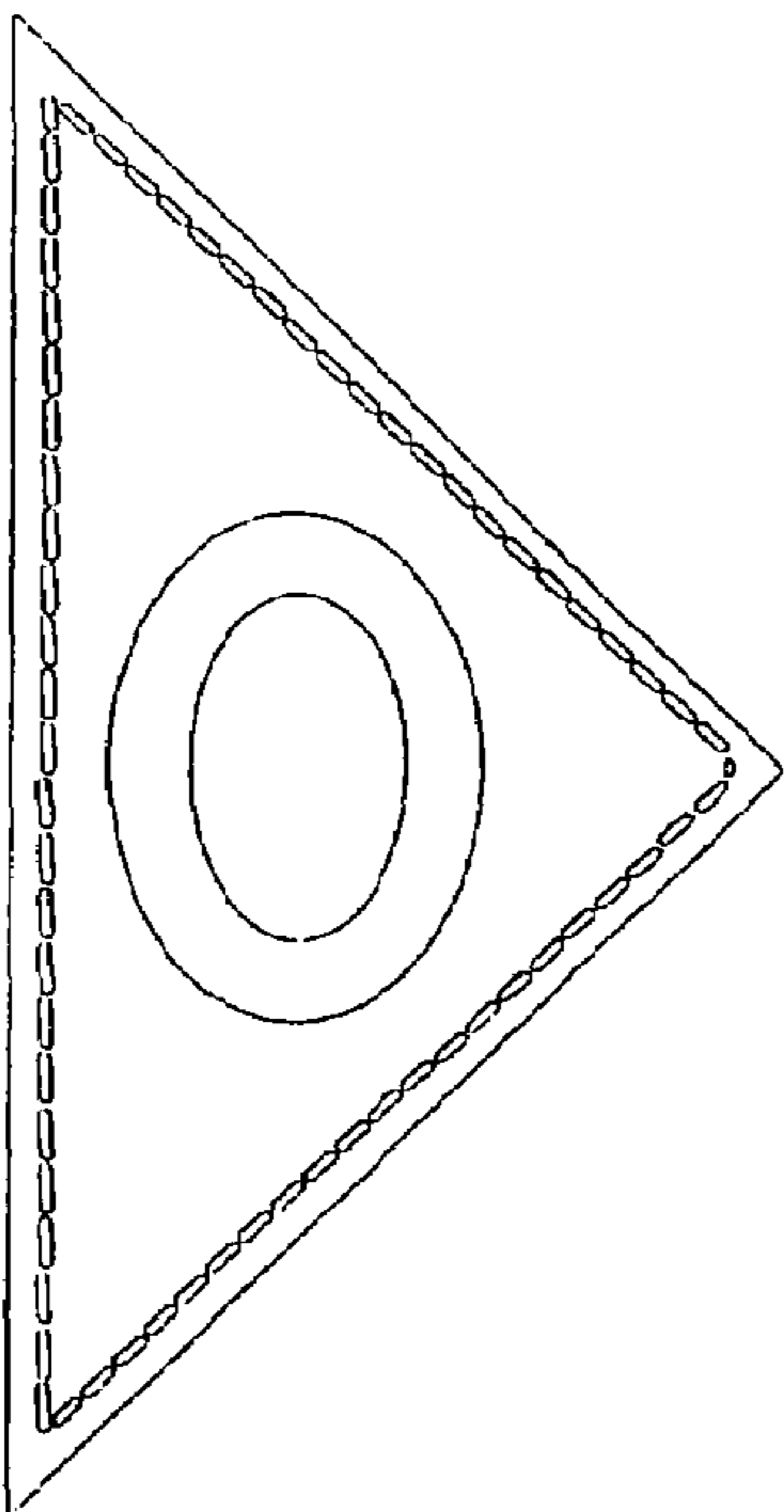


FIG. 3

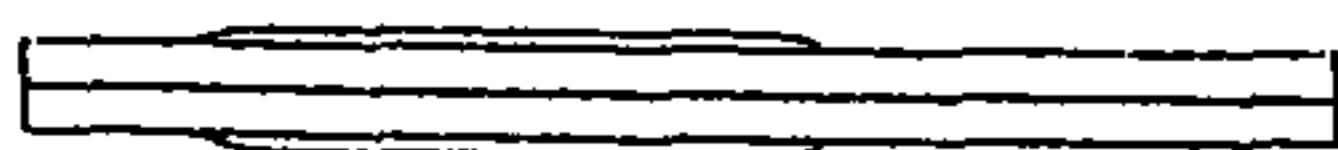


FIG. 6



FIG. 5

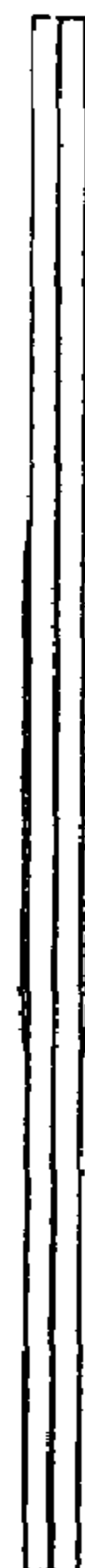


FIG. 7

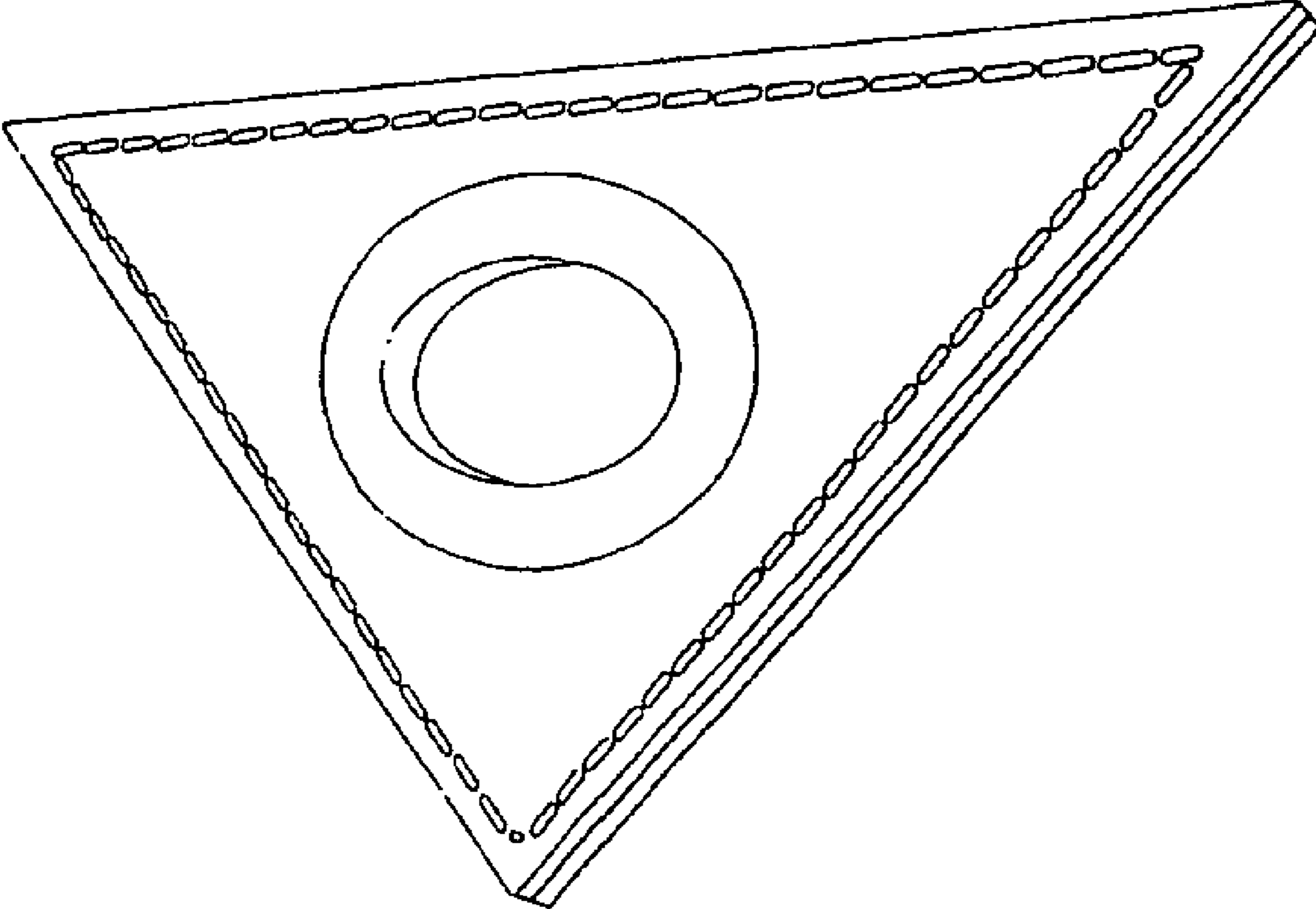


Fig. 8

