



US00D558423S

(12) **United States Design Patent**
Roiser

(10) **Patent No.:** **US D558,423 S**

(45) **Date of Patent:** **** Dec. 25, 2007**

(54) **GOLF CART**

(75) Inventor: **Thomas Roiser**, Mondsee (AT)

(73) Assignee: **Komperdell Sportartikel Gesellschaft m.b.H.**, Mondsee (AT)

(**) Term: **14 Years**

(21) Appl. No.: **29/267,769**

(22) Filed: **Oct. 23, 2006**

(30) **Foreign Application Priority Data**

Apr. 25, 2006 (EM) 000519301

(51) **LOC (8) Cl.** **12-13**

(52) **U.S. Cl.** **D34/15**

(58) **Field of Classification Search** D34/12-27;
280/47.24, 47.26, 654, 655, 79.3, DIG. 5,
280/DIG. 6

See application file for complete search history.

(56) **References Cited**

U.S. PATENT DOCUMENTS

D302,616 S * 8/1989 Hartmann D34/15

D448,906 S * 10/2001 Wu D34/15
D488,279 S * 4/2004 Wu D34/15
D520,706 S * 5/2006 Brekke D34/15
D541,503 S * 4/2007 Lee D34/15

* cited by examiner

Primary Examiner—Cynthia E. Ramirez

(74) *Attorney, Agent, or Firm*—Young & Thompson

(57) **CLAIM**

The ornamental design for a golf cart, as shown.

DESCRIPTION

FIG. 1 is a side elevational view of a golf cart showing my new design;

FIG. 2 is a side elevational view thereof from the side opposite that shown in FIG. 1;

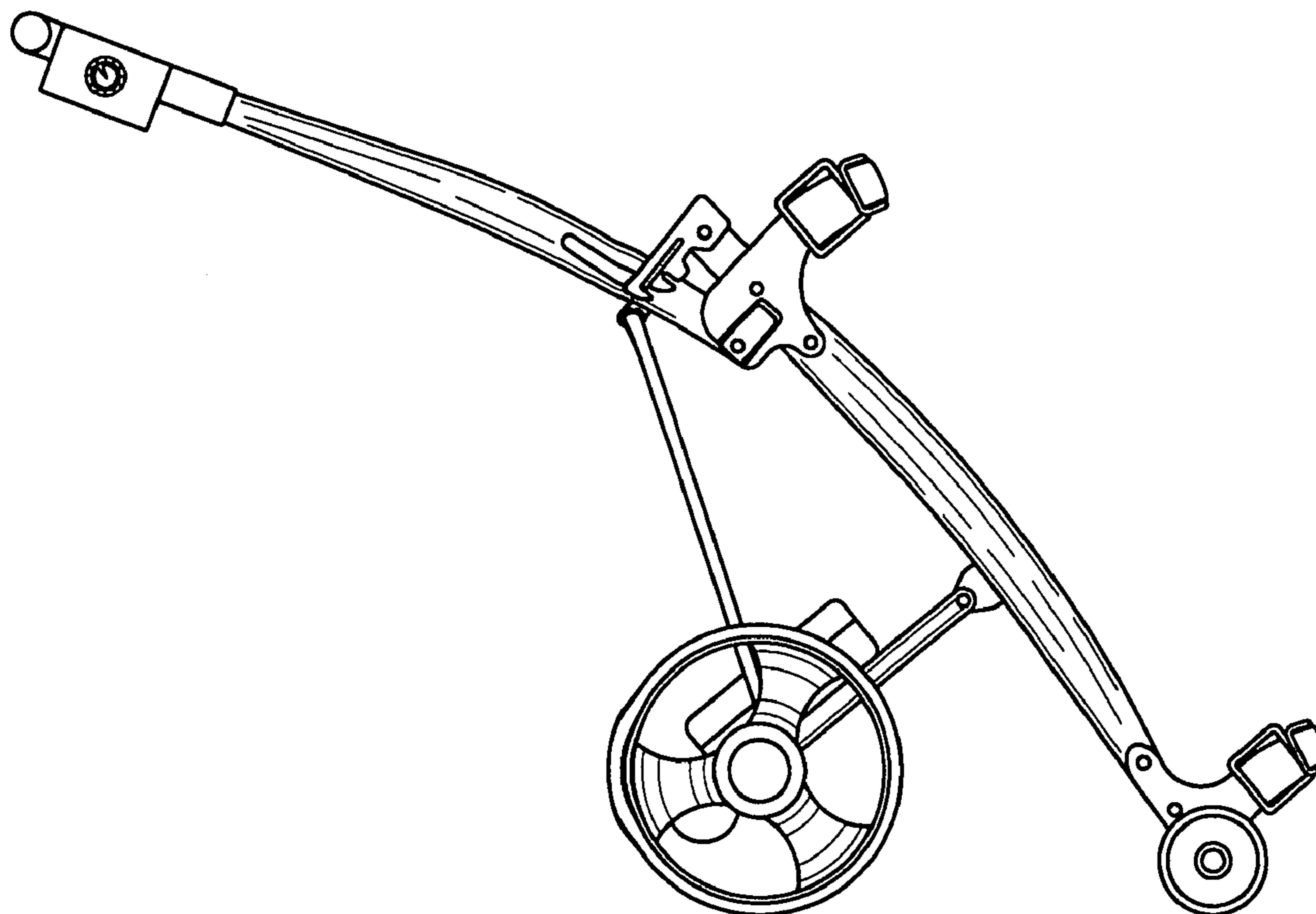
FIG. 3 is a rear elevational view thereof;

FIG. 4 is a front elevational view thereof;

FIG. 5 is a top plan view thereof; and,

FIG. 6 is a bottom plan view thereof.

1 Claim, 6 Drawing Sheets



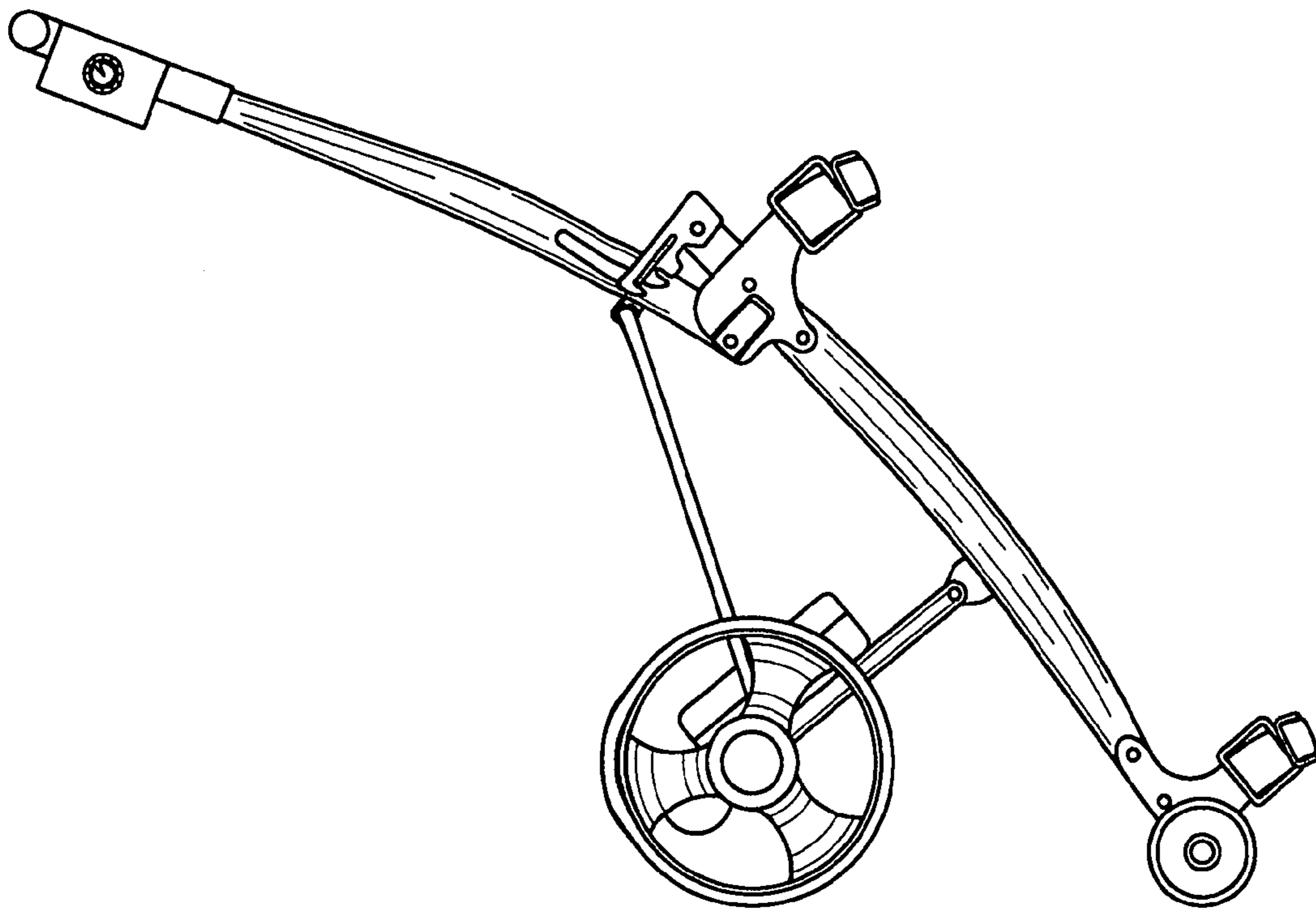


Fig. 1

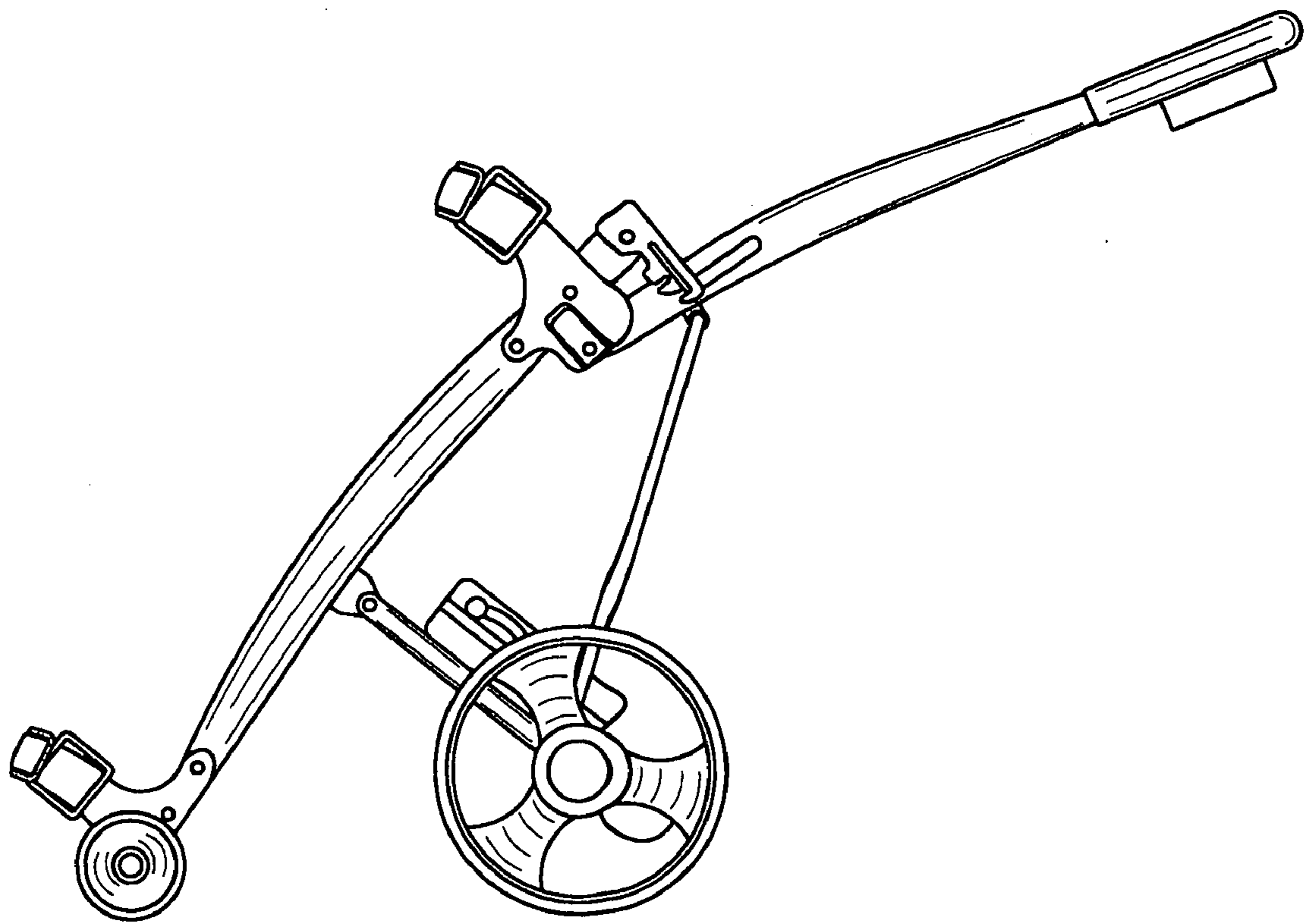


Fig. 2

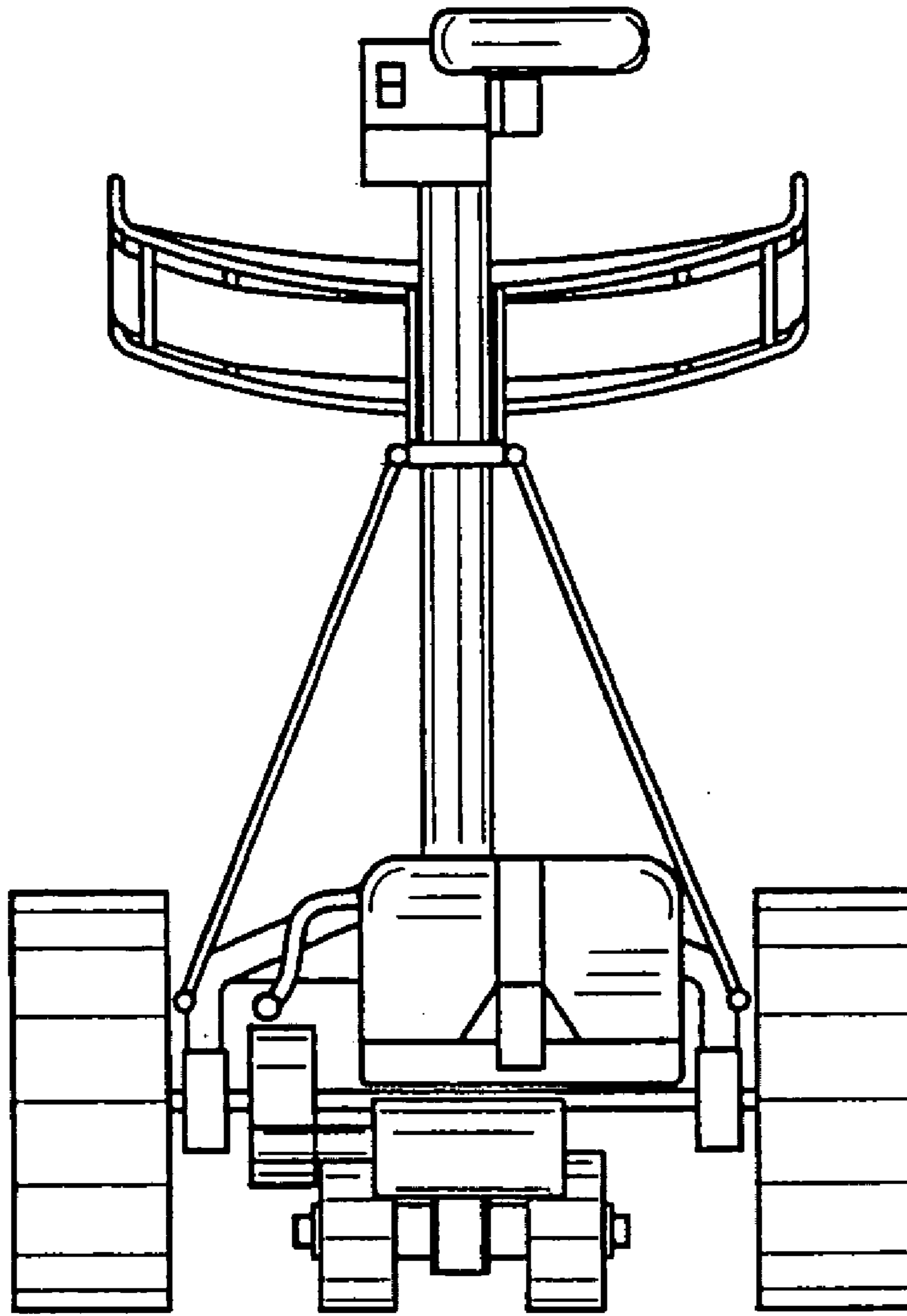


FIG. 3

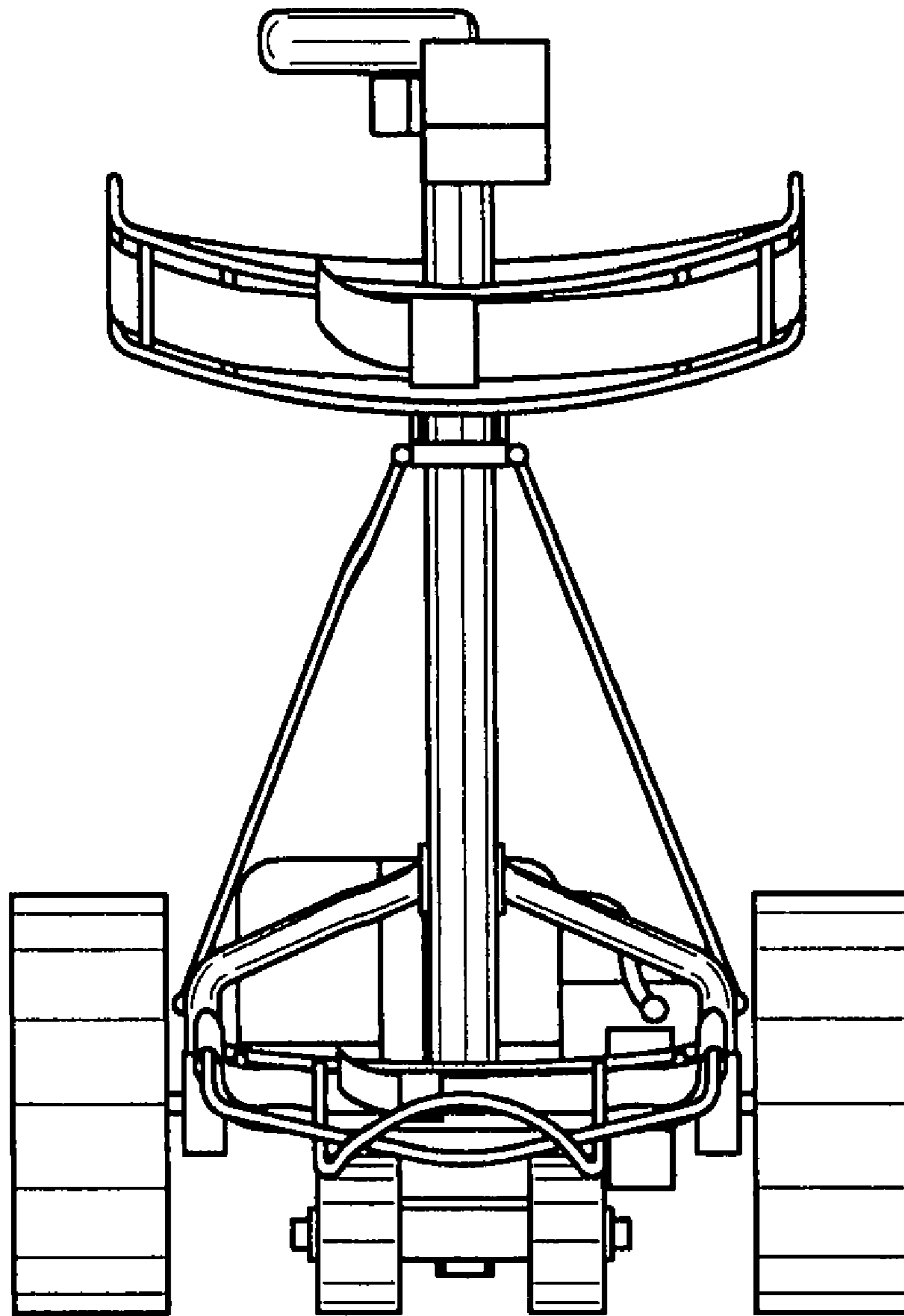


Fig. 4

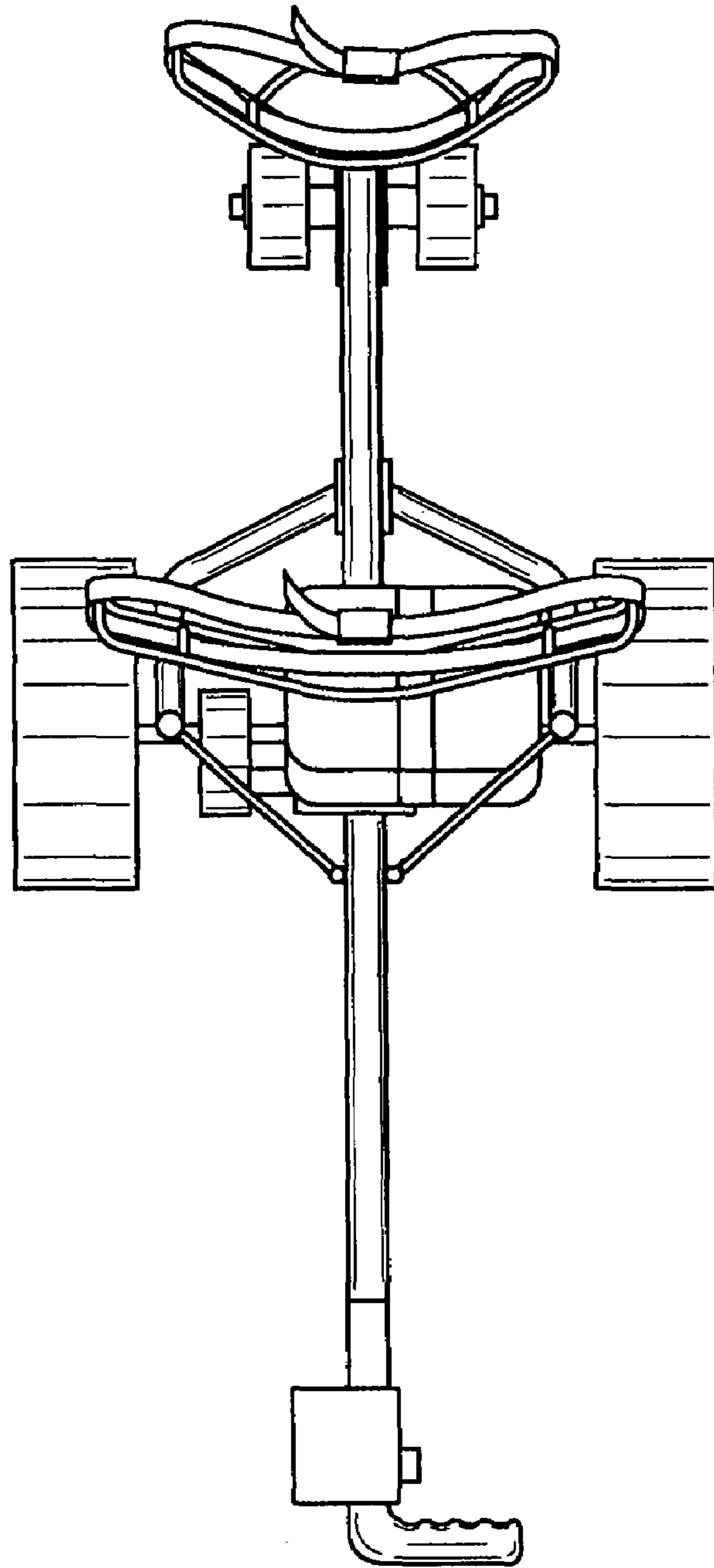


Fig. 5

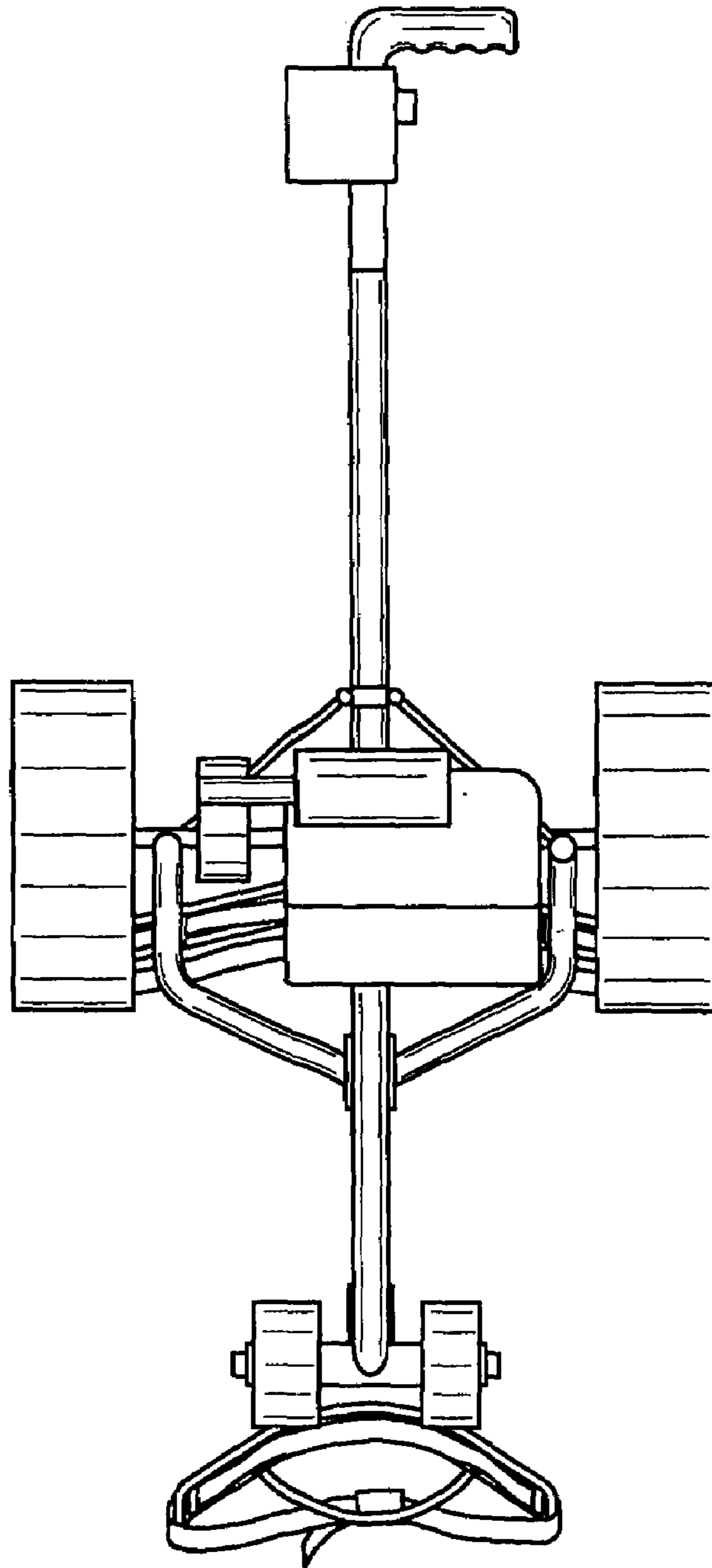


Fig. 6