



US00D558421S

(12) **United States Design Patent** (10) **Patent No.:** **US D558,421 S**
DesLaurier (45) **Date of Patent:** **** Dec. 25, 2007**

(54) **RECYCLE BIN**

(74) *Attorney, Agent, or Firm*—Jones, Tullar & Cooper, P.C.

(76) Inventor: **O. Ernest DesLaurier**, 52109 Range Rd., 224 Sherwood Park, Alberta (CA) T8A 0A1

(57) **CLAIM**

The ornamental design for a recycle bin, as shown and described.

(**) Term: **14 Years**

(21) Appl. No.: **29/265,457**

DESCRIPTION

(22) Filed: **Sep. 1, 2006**

Related U.S. Application Data

(63) Continuation-in-part of application No. 29/213,265, filed on Sep. 16, 2004, now Pat. No. Des. 531,373.

FIG. 1 is a first side elevational view of the recycle bin of this design;

FIG. 2 is a second side elevational view of the recycle bin at 90° to the side elevational view of FIG. 1.

FIG. 3 is a third side elevational view of the recycle bin at 90° to the side elevational view of FIG. 2.

(51) **LOC (8) Cl.** **09-09**

(52) **U.S. Cl.** **D34/7**

(58) **Field of Classification Search** D34/1, D34/5, 6, 7, 8, 9, 10, 11; 220/908–913
See application file for complete search history.

FIG. 4 is a fourth side elevational view of the recycle bin at 90° to the side elevational view of FIG. 3.

FIG. 5 is a top perspective view of the recycle bin of this design;

(56) **References Cited**

U.S. PATENT DOCUMENTS

3,063,591 A	11/1962	Laginestra	
3,854,582 A	12/1974	Martinelli	
4,440,321 A	4/1984	Campbell	
D340,553 S	10/1993	Sahm, Jr. D30/121
D360,724 S	7/1995	Breen D34/1
D441,512 S	5/2001	Wyman D34/7
D472,356 S	3/2003	Shilling	
D473,029 S	4/2003	Shilling	
D480,854 S	10/2003	Hardy	
D531,373 S *	10/2006	DesLaurier D34/7

FIG. 6 is a top plan view of the recycle bin of this design;

FIG. 7 is a bottom plan view of the recycle bin of this design;

FIG. 8 is a side elevational view similar to that of FIG. 1 but with the top removed;

FIG. 9 is a bottom plan view of the bottom of the recycle bin of this design;

FIG. 10 is top plan view of the top of the recycle bin of this design; and,

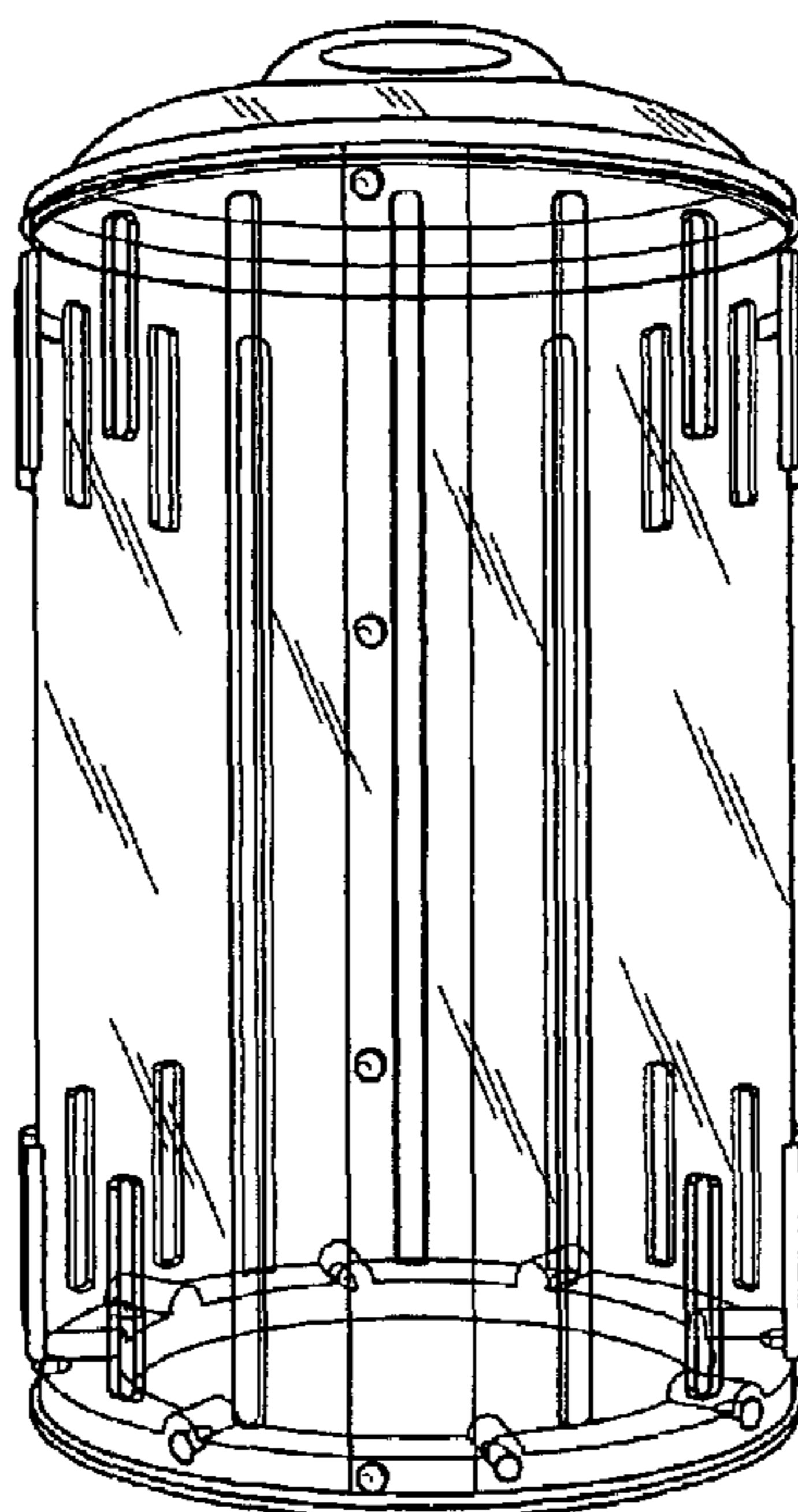
FIG. 11 is a side elevational view of the top of the recycle bin of this design.

The top is shown removed from FIGS. 8–10 and the top is shown by itself in FIG. 11 for convenience of illustration.

* cited by examiner

Primary Examiner—Cynthia E. Ramirez

1 Claim, 5 Drawing Sheets



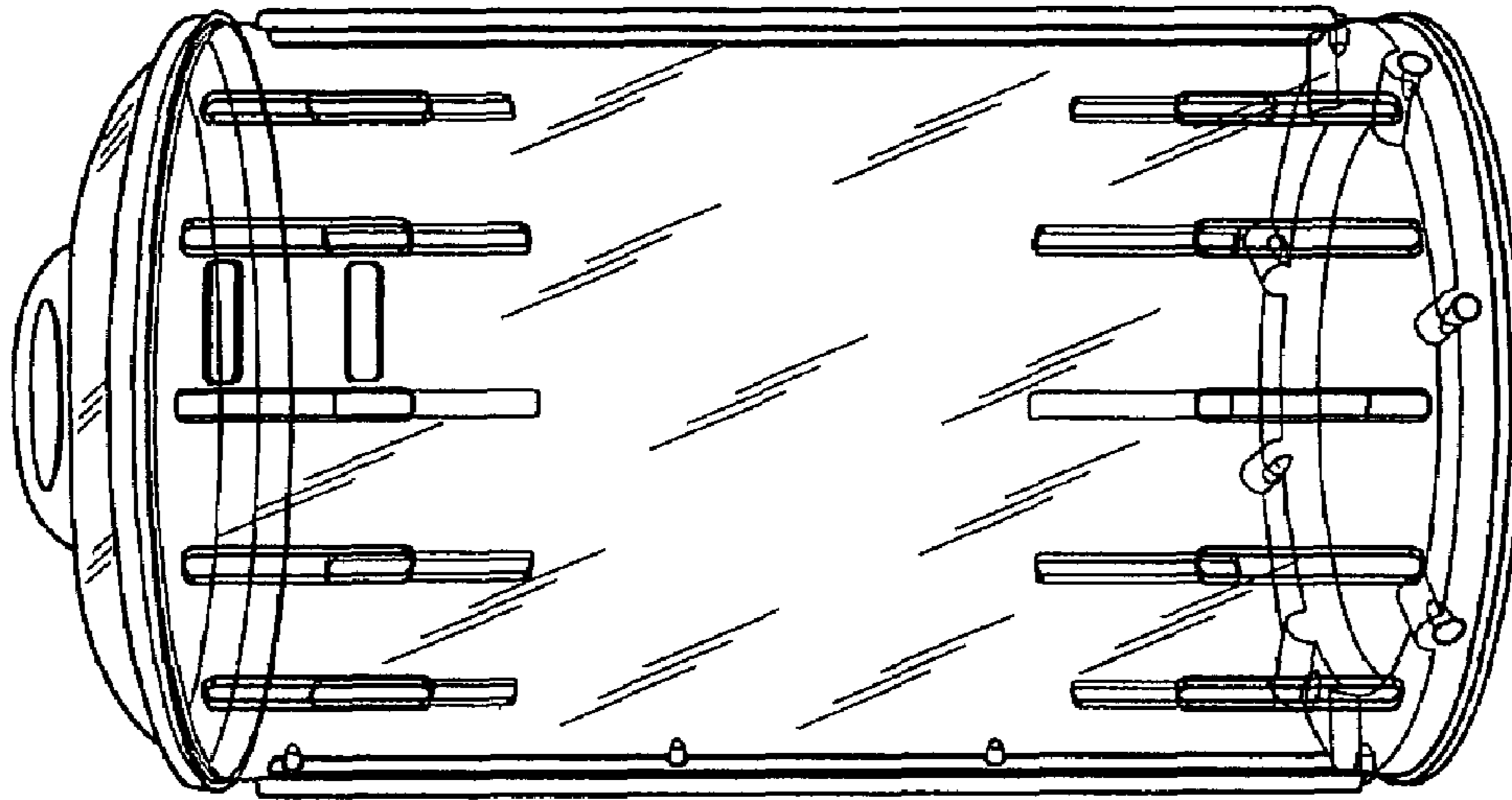


FIG. 2

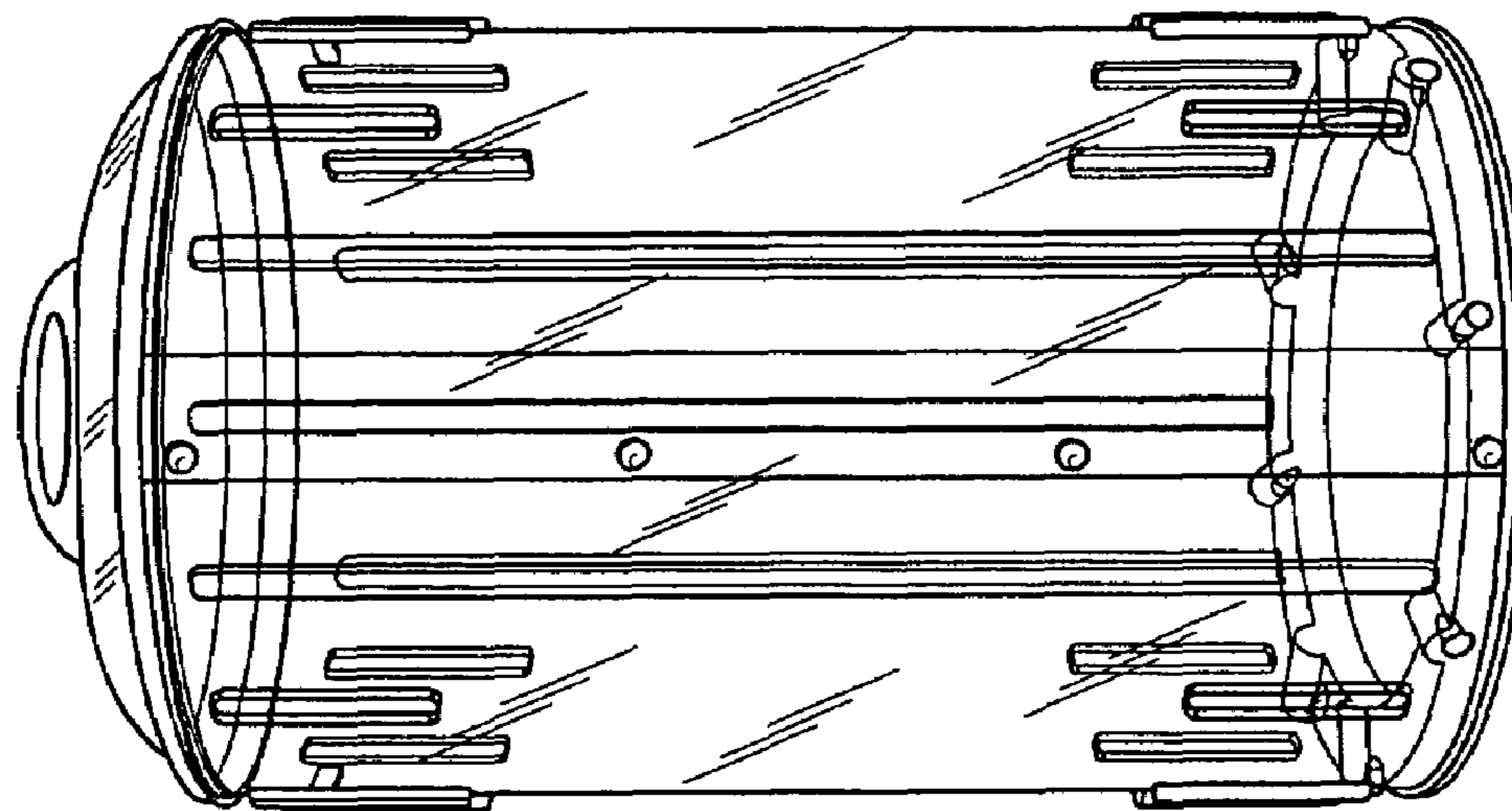


FIG. 1

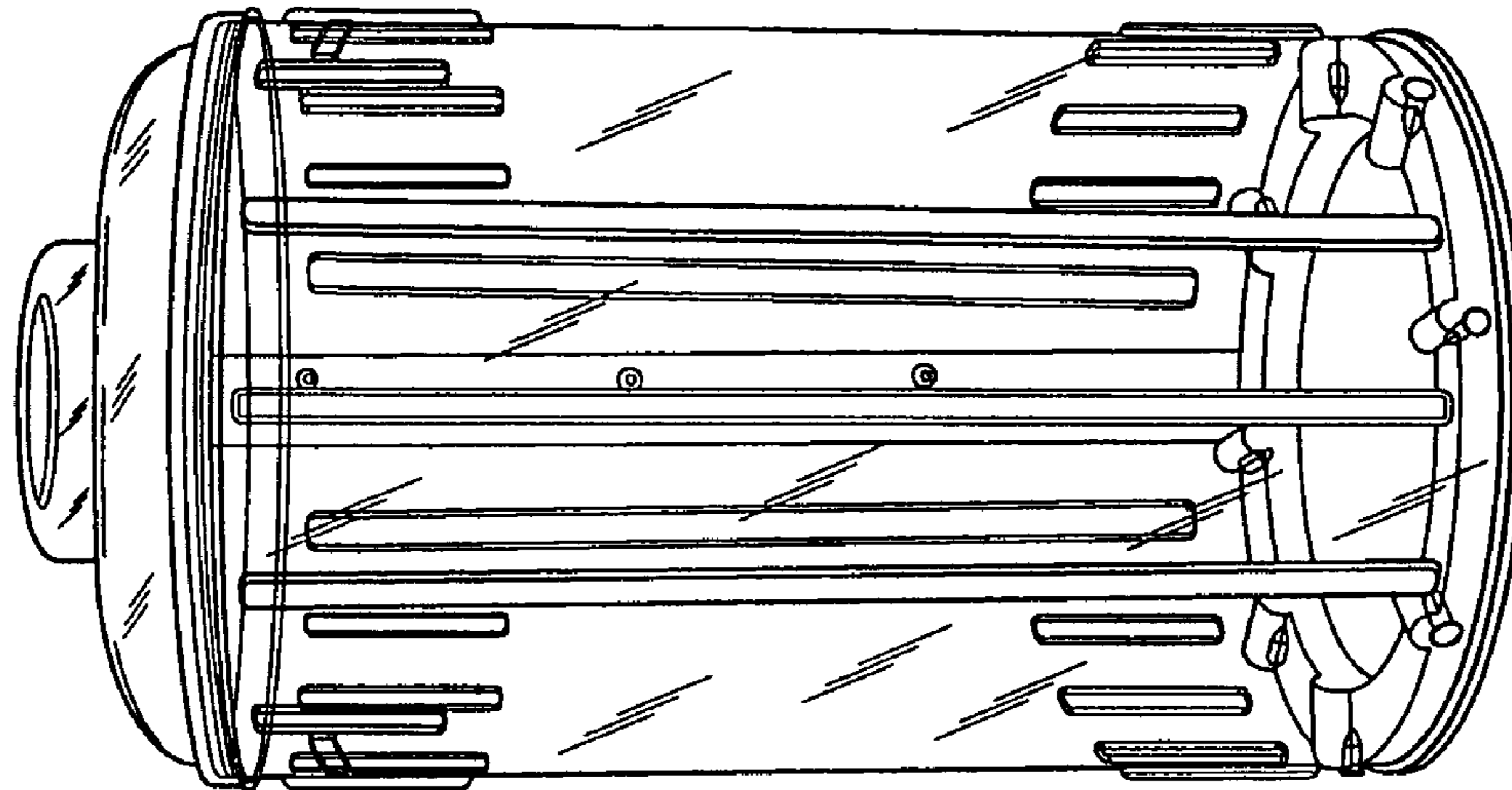


FIG. 4

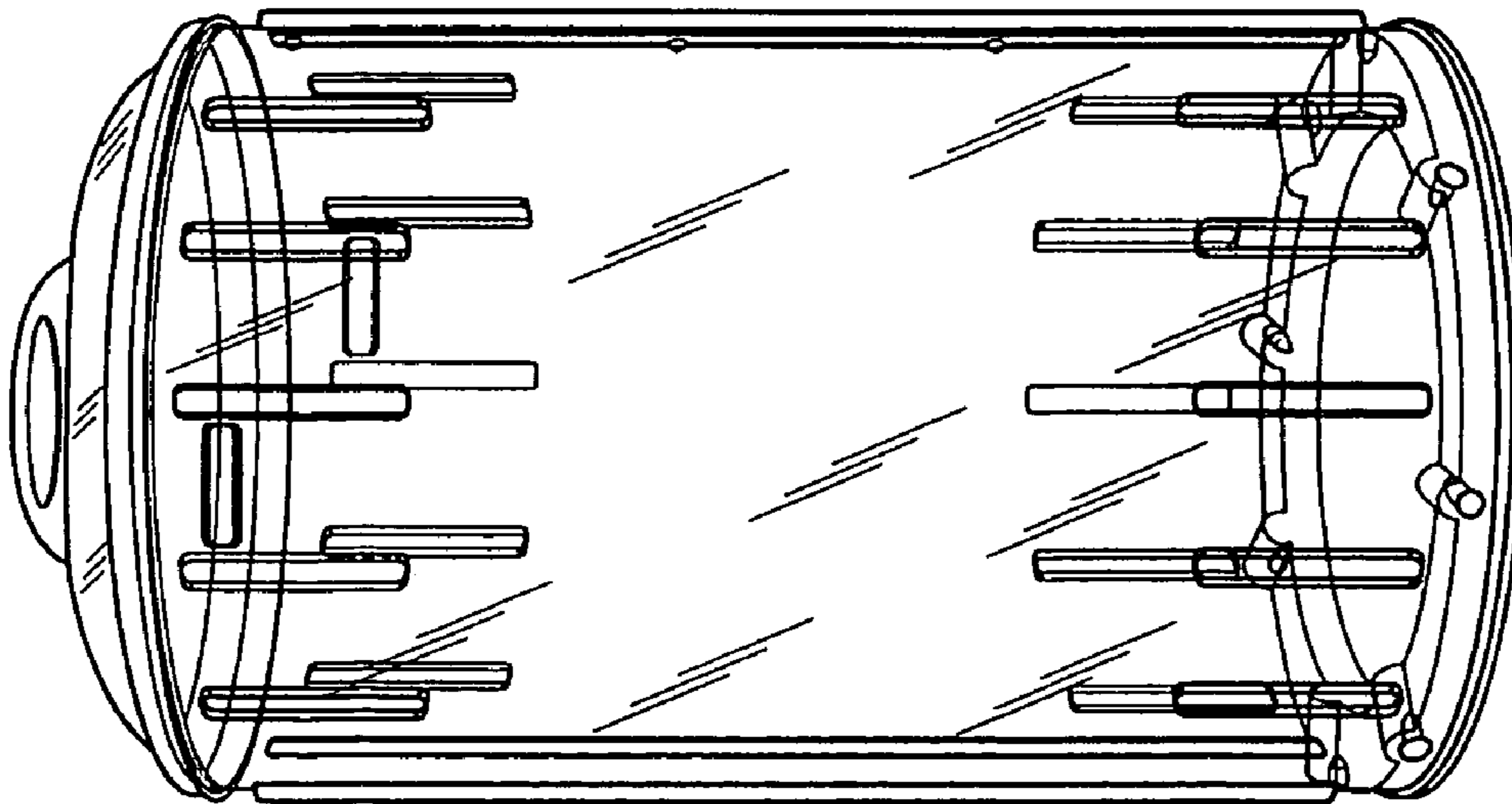


FIG. 3

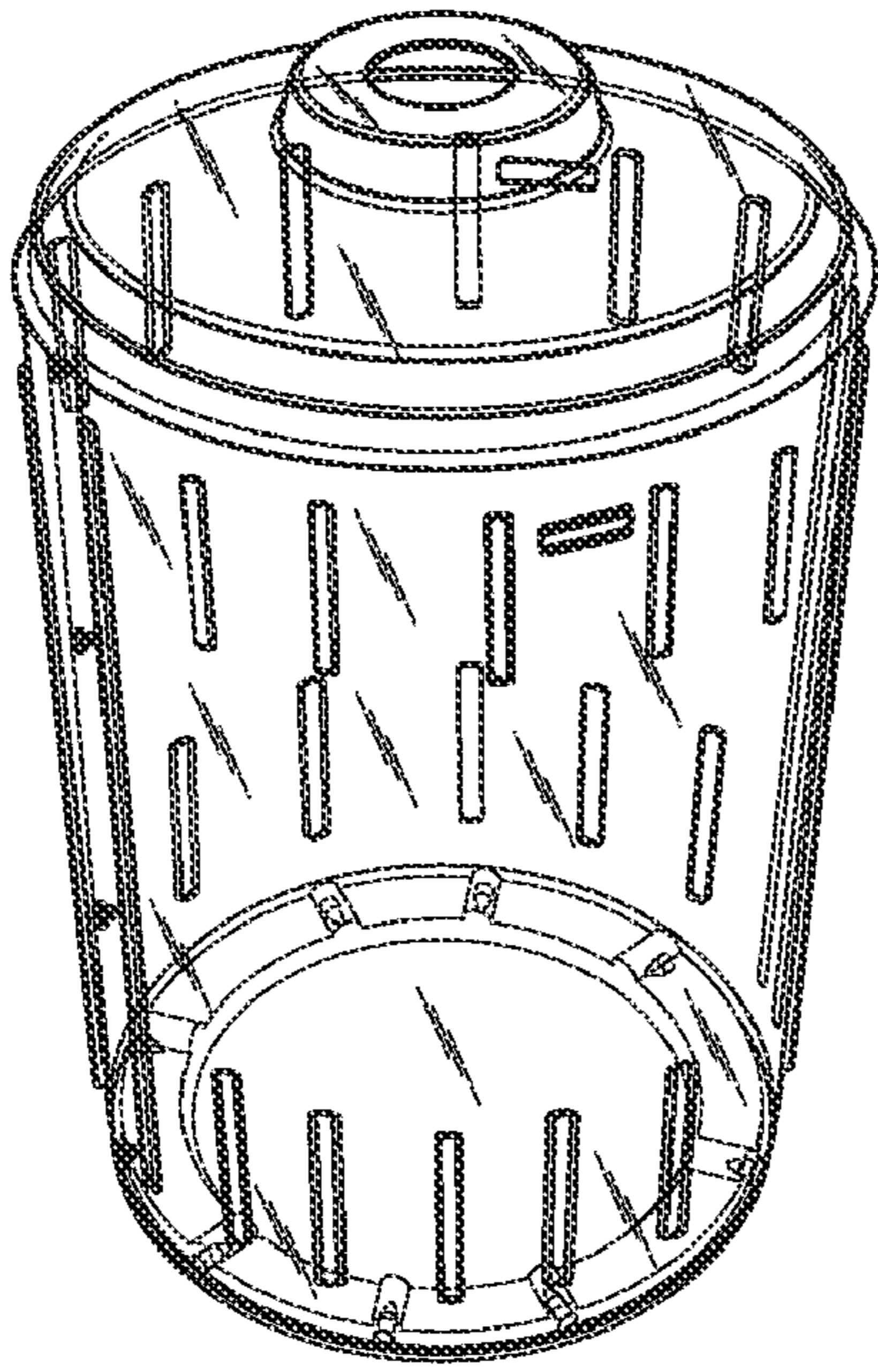


FIG. 5

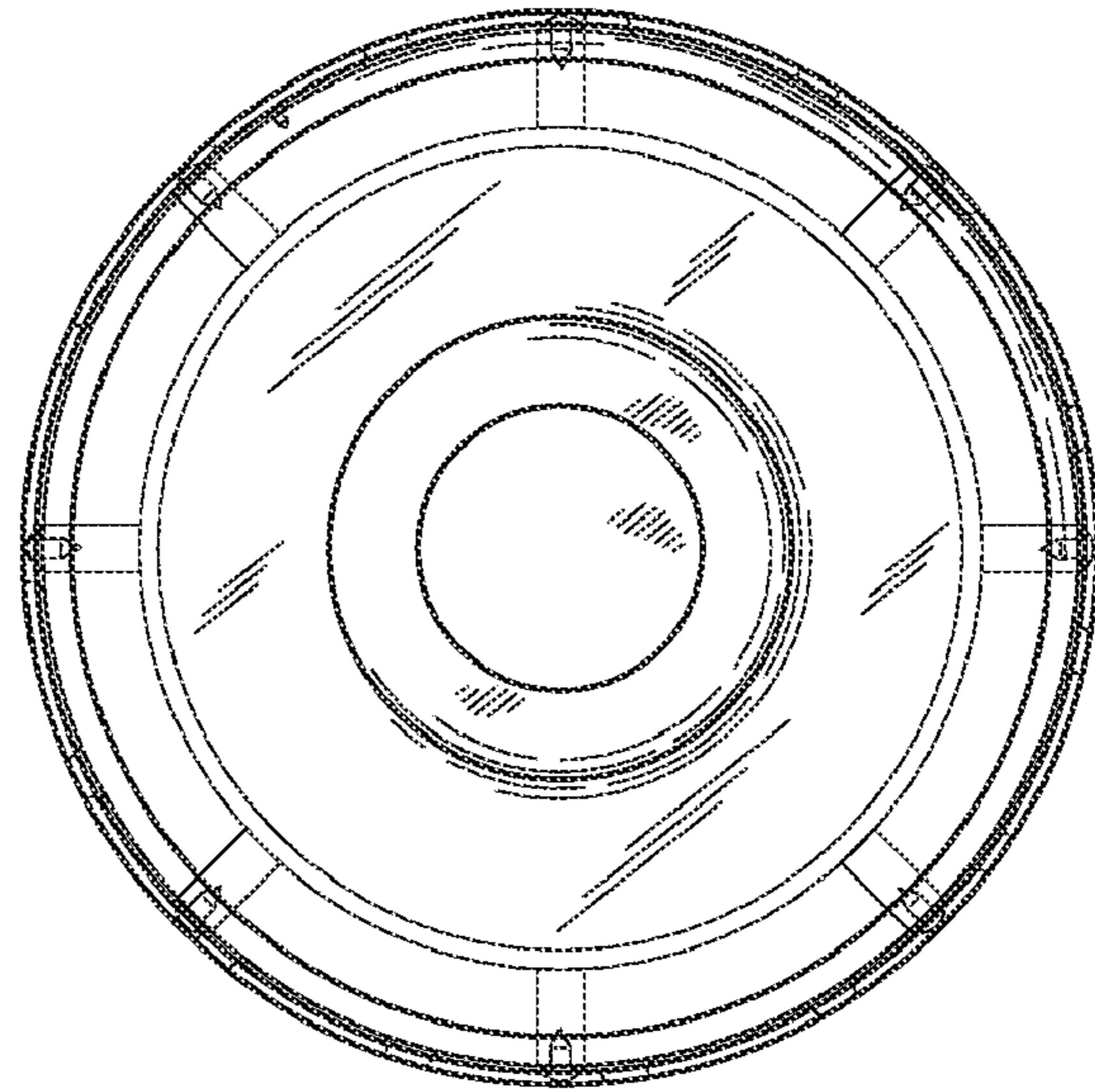


FIG. 6

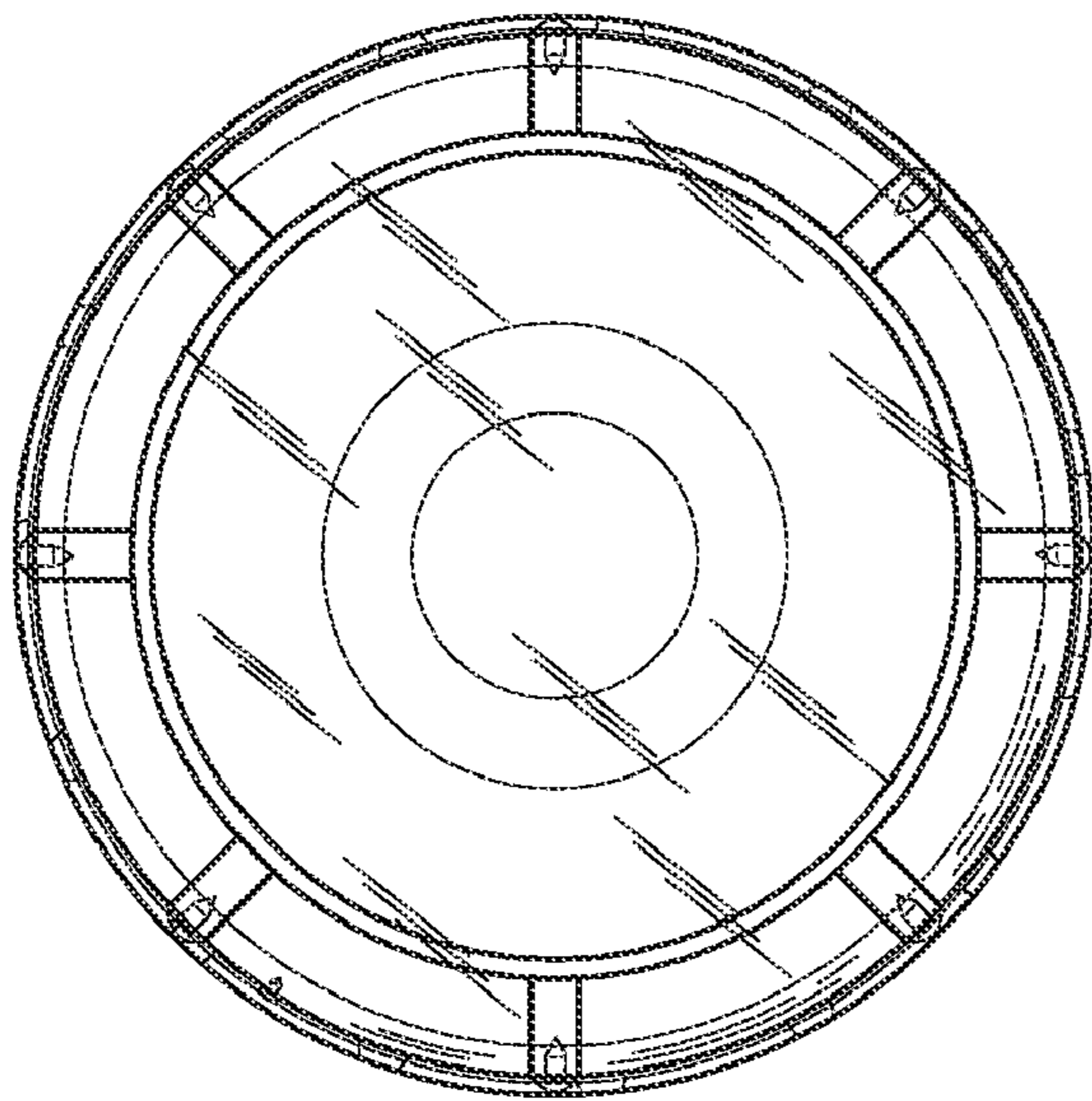


FIG. 7

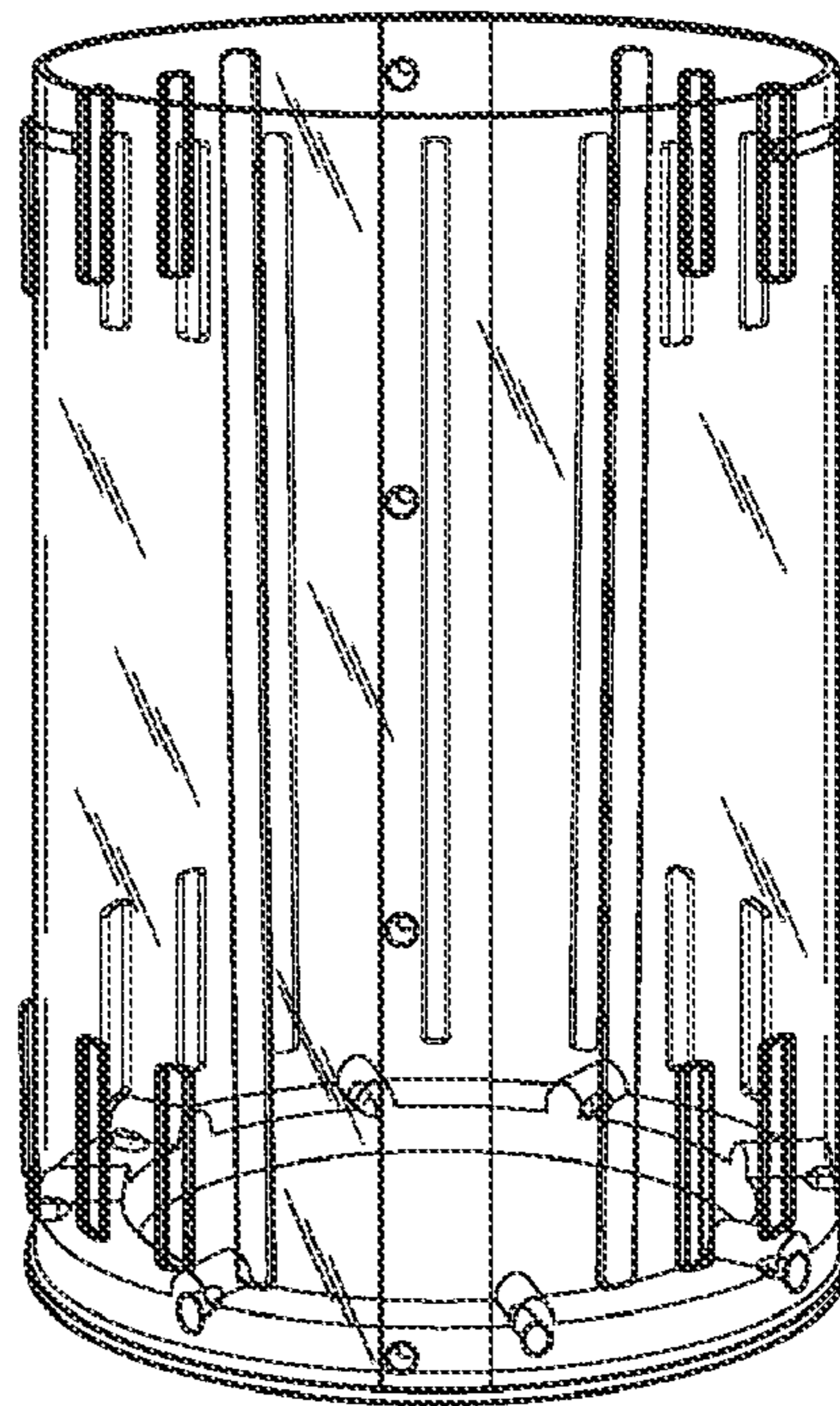


FIG. 8

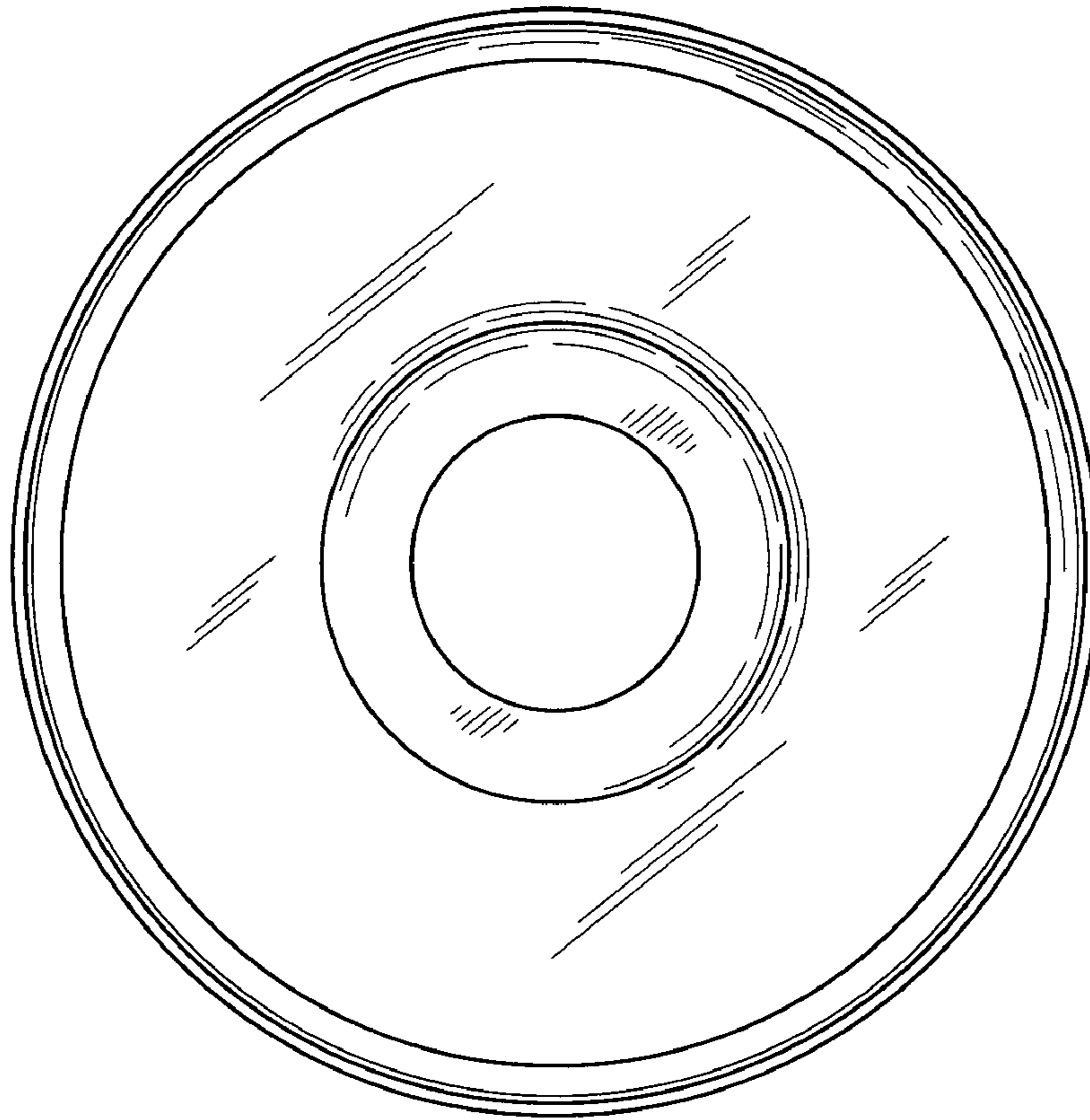


FIG. 10

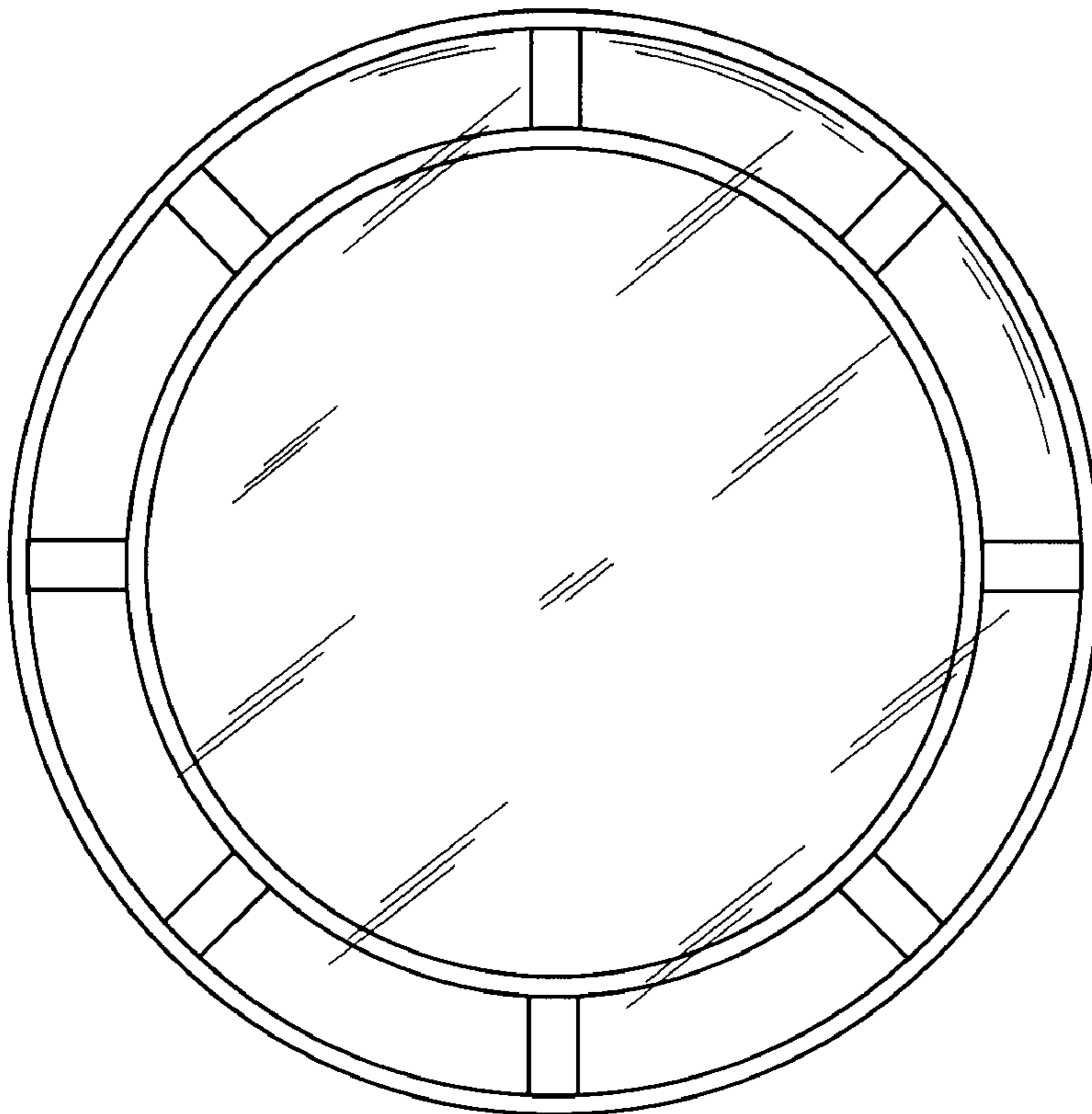


FIG. 9

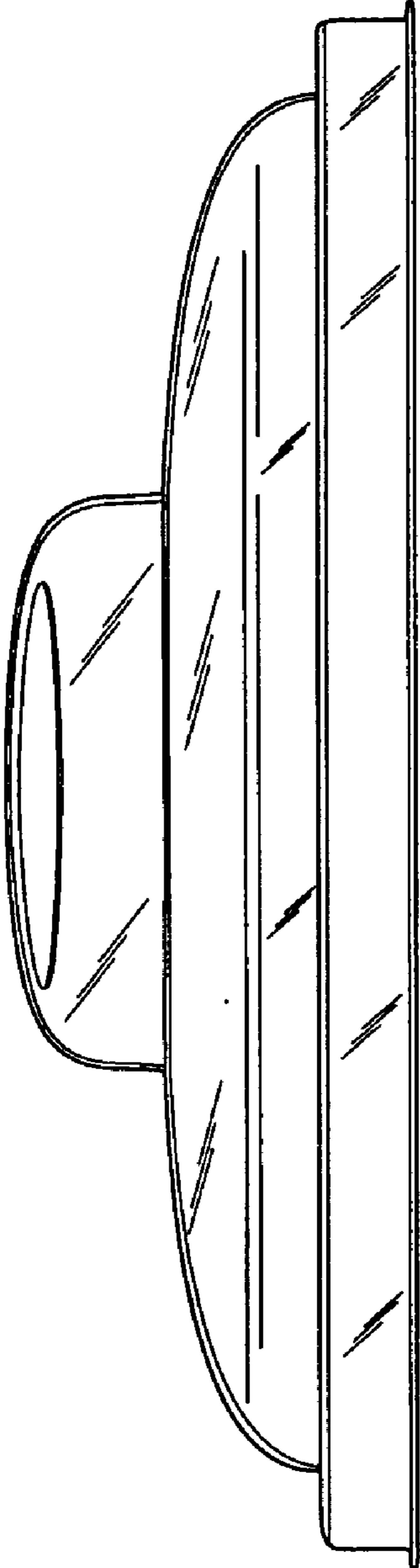


FIG. 11