



US00D558420S

(12) **United States Design Patent**
Shea

(10) **Patent No.:** **US D558,420 S**

(45) **Date of Patent:** **** Dec. 25, 2007**

(54) **GRAVITY FEED PAINT TRAY SYSTEM**

D397,833 S * 9/1998 Adams Zurawin D32/53.1
D428,540 S * 7/2000 Grant D32/53.1
D444,604 S * 7/2001 Hoffert et al. D32/53.1

(75) Inventor: **Donald Lee Shea**, 708 Georgia Ave.,
Statesville, NC (US) 28677

* cited by examiner

(73) Assignee: **Donald Lee Shea**, Statesville, NC (US)

Primary Examiner—Pamela J. Burgess

(**) Term: **14 Years**

(57) **CLAIM**

(21) Appl. No.: **29/204,189**

The ornamental design for a gravity feed paint tray system,
as shown.

(22) Filed: **Apr. 26, 2004**

(51) **LOC (8) Cl.** **07-07**

(52) **U.S. Cl.** **D32/53.1**

(58) **Field of Classification Search** D32/53.1;
D9/424, 429; 15/257.01, 257.05, 257.06;
220/570–571, 623; 229/939, 406–407
See application file for complete search history.

DESCRIPTION

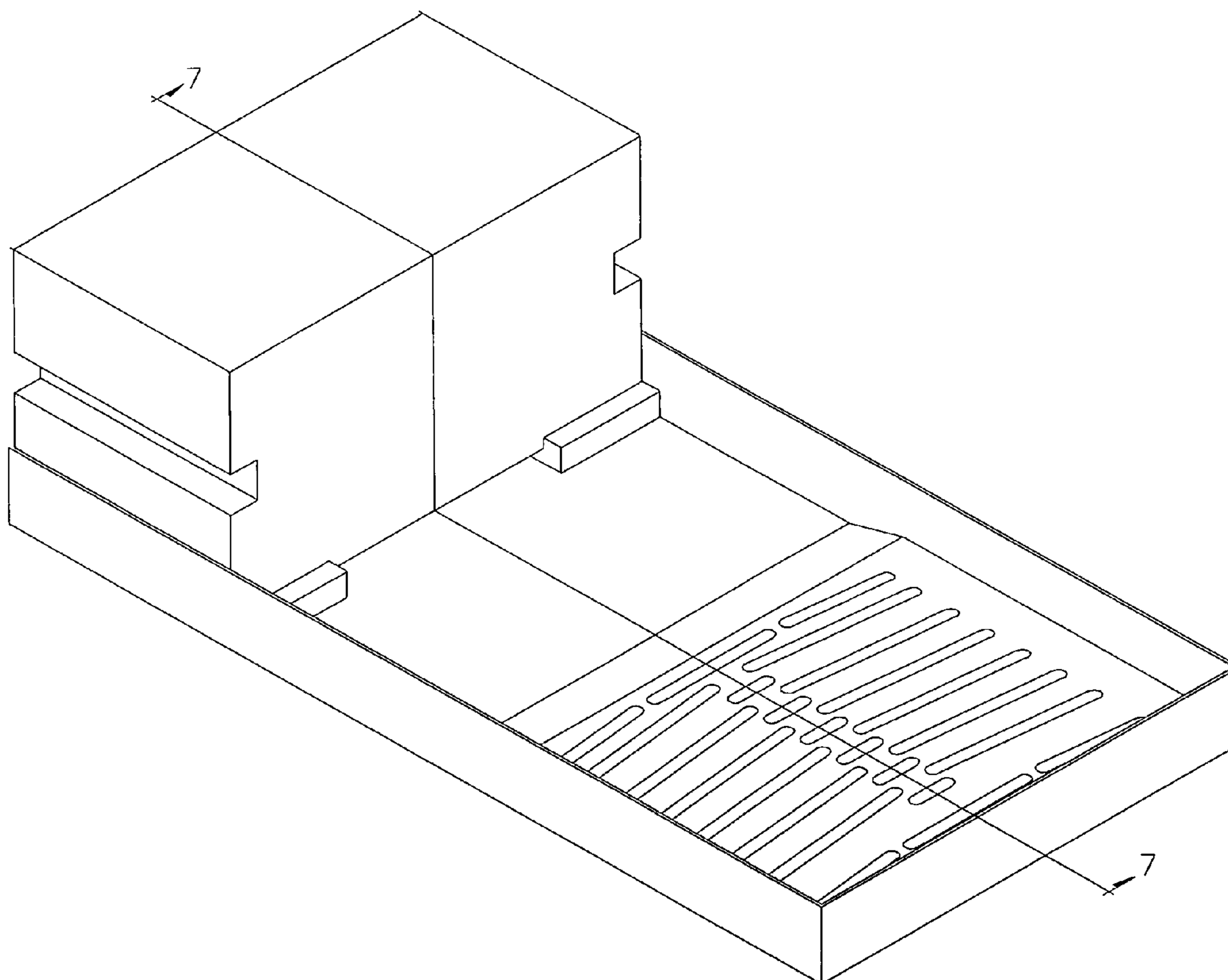
FIG. 1 is a front elevational view thereof;
FIG. 2 is a top plane view thereof;
FIG. 3 is a right side elevational view thereof;
FIG. 4 is a left side elevational view thereof;
FIG. 5 is a bottom plane view thereof;
FIG. 6 is a perspective view thereof; and,
FIG. 7 is a section view through line 7—7 showing my new
design.

(56) **References Cited**

U.S. PATENT DOCUMENTS

D273,725 S * 5/1984 Goetz D32/53.1
D332,512 S * 1/1993 Bernard D32/53.1
D371,876 S * 7/1996 Albert et al. D32/53.1

1 Claim, 4 Drawing Sheets



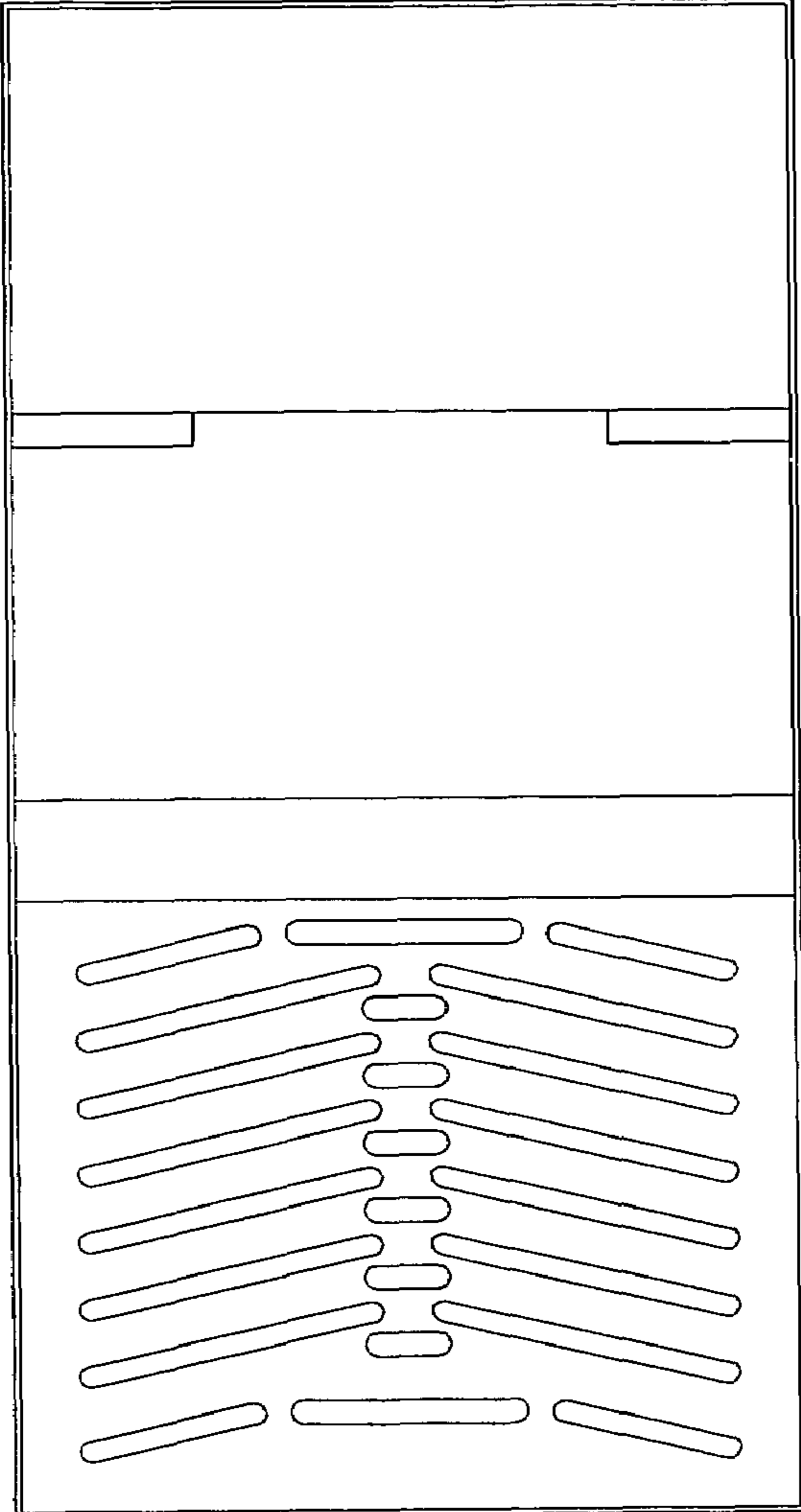


FIG. 2

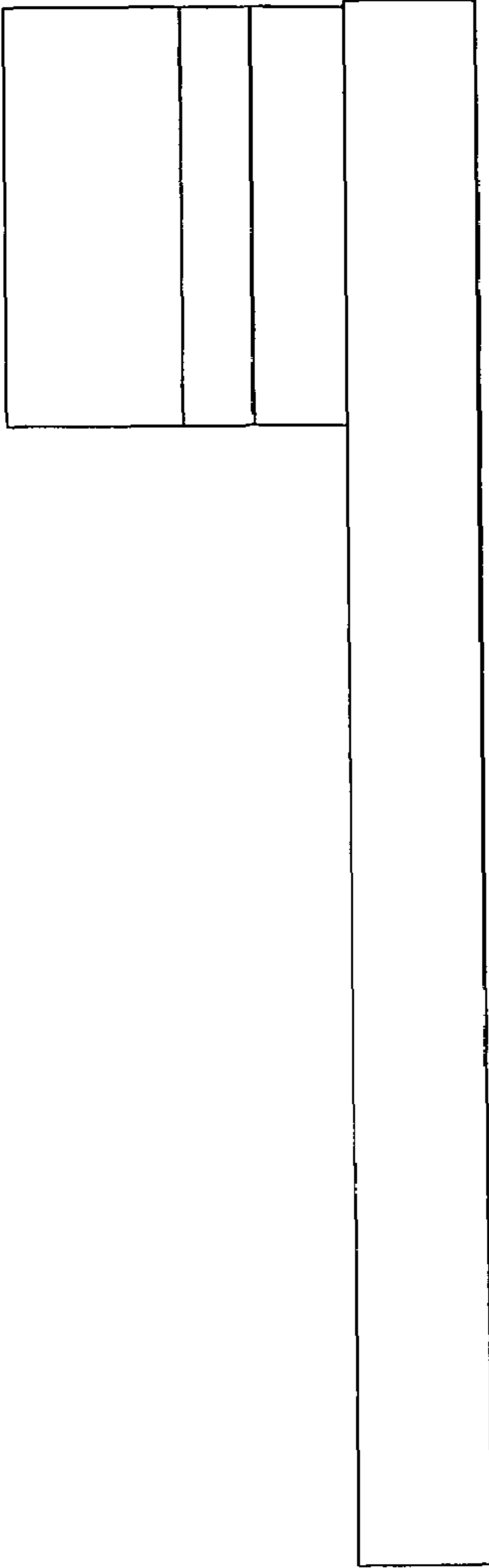


FIG. 3

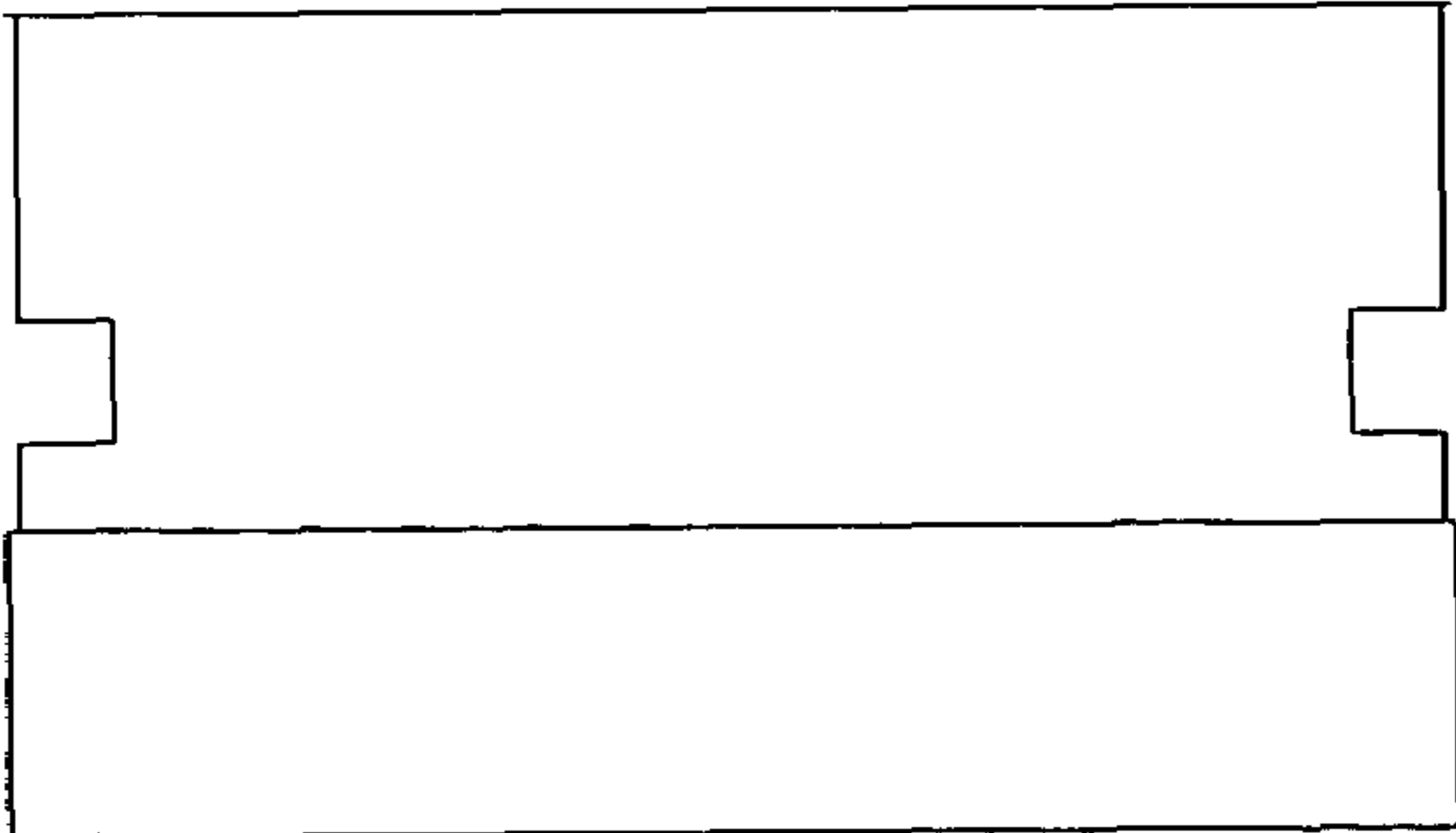


FIG. 1

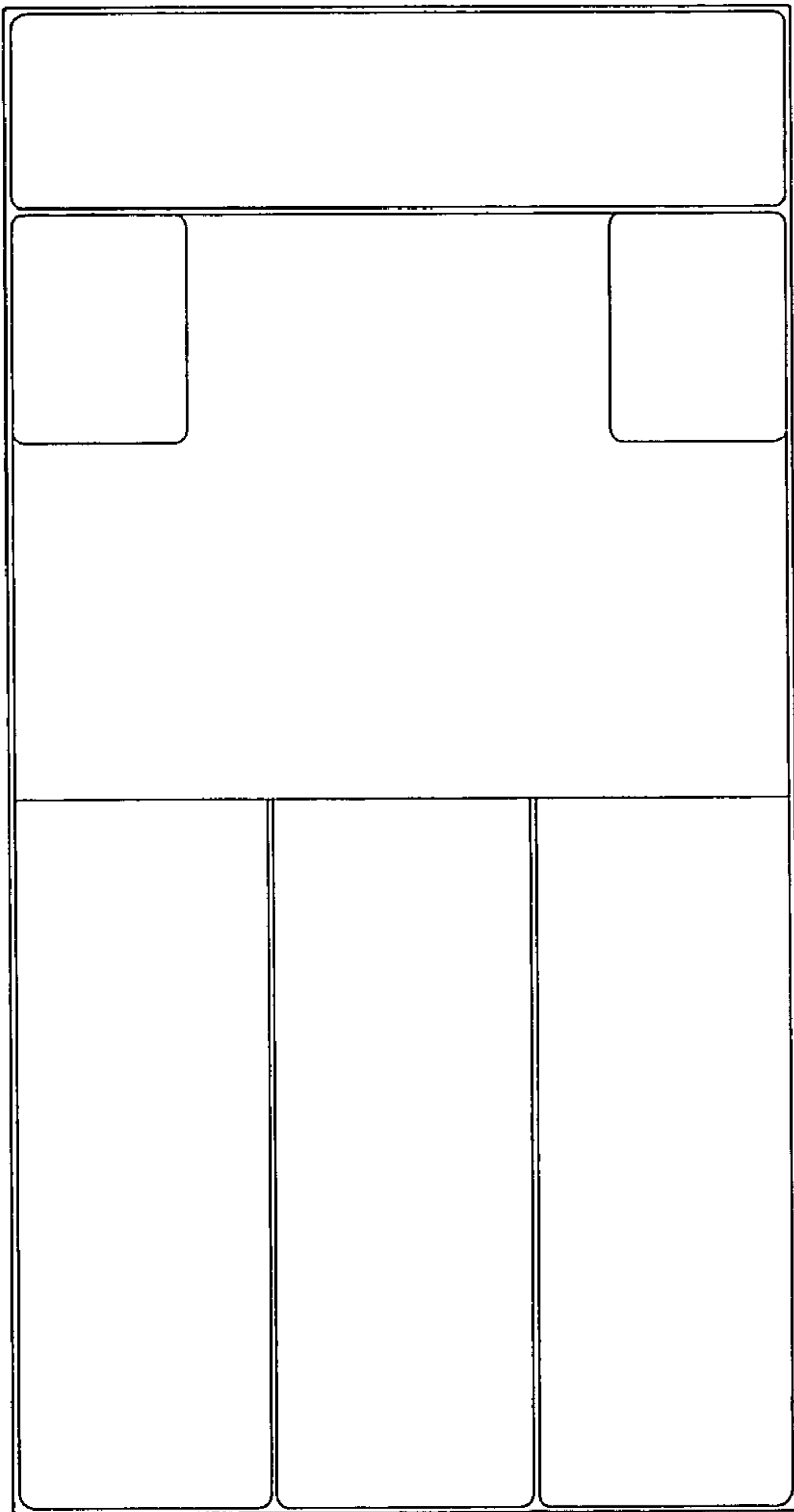


FIG. 5

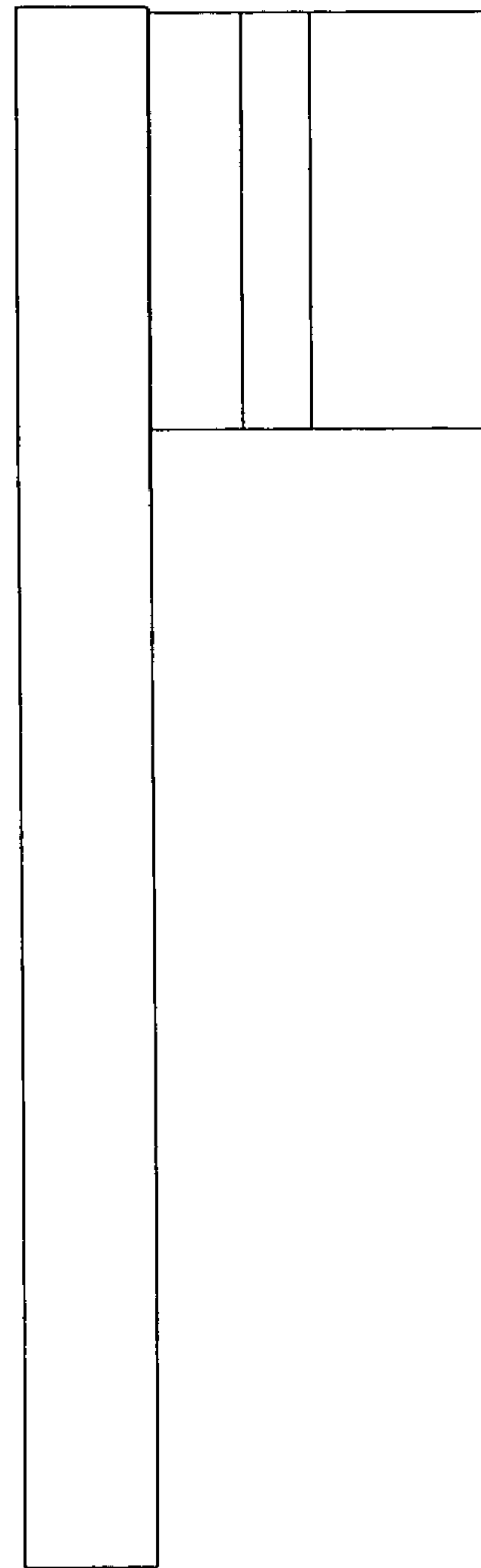


FIG. 4

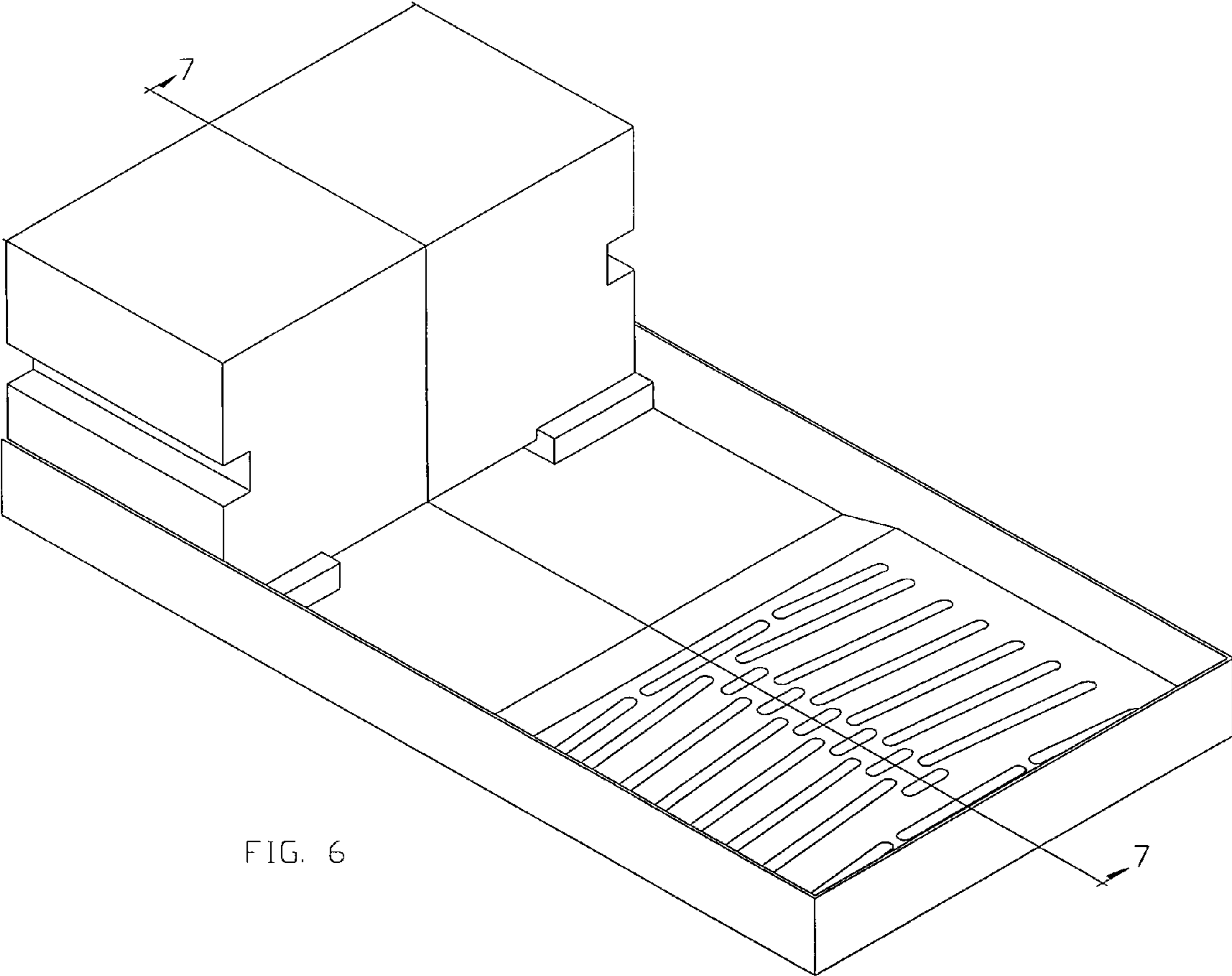


FIG. 6

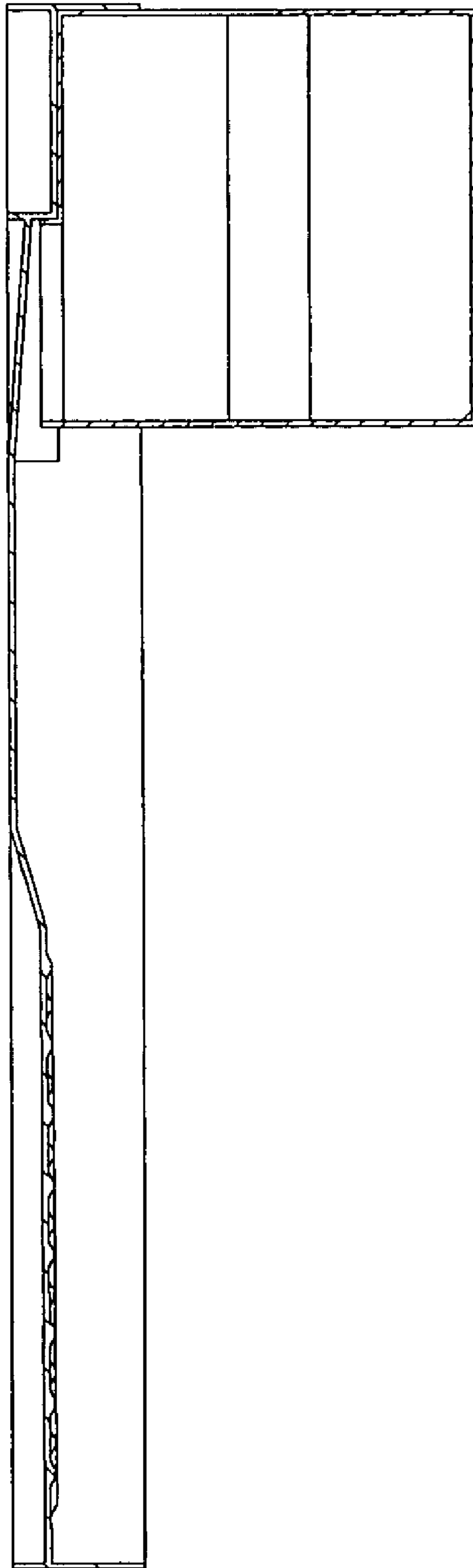


FIG. 7