



US00D558416S

(12) **United States Design Patent**
Kenny

(10) **Patent No.:** **US D558,416 S**

(45) **Date of Patent:** **** Dec. 25, 2007**

(54) **INTERIOR VEHICLE WINDOW CLEANER**

(76) Inventor: **Jeffrey A. Kenny**, 2946 Brookmere St.,
Muskegon, MI (US) 49444

(**) Term: **14 Years**

(21) Appl. No.: **29/269,210**

(22) Filed: **Nov. 24, 2006**

(51) **LOC (8) Cl.** **07-05**

(52) **U.S. Cl.** **D32/40**

(58) **Field of Classification Search** D32/40-41,
D32/22, 35, 50-51; 15/228, 231, 244.1-244,
15/143.1, 144.1, 209.1, 104.94, 229.3
See application file for complete search history.

(56) **References Cited**

U.S. PATENT DOCUMENTS

2,262,334	A *	11/1941	Rugaard	401/139
3,458,265	A *	7/1969	Andrini	401/139
D287,173	S *	12/1986	Libman	D32/51
D304,630	S *	11/1989	Jones et al.	D32/40
D312,339	S *	11/1990	Nero, III	D32/51
5,012,544	A	5/1991	Verry		
5,095,574	A	3/1992	Khanzadian		
5,167,045	A *	12/1992	Rodriguez	15/228
5,333,347	A	8/1994	Stranders		
5,390,390	A *	2/1995	Kresse et al.	15/228
5,455,980	A *	10/1995	Buchanan	15/228

5,507,065	A *	4/1996	McBride et al.	15/228
5,596,787	A	1/1997	Stevens et al.		
5,603,138	A	2/1997	Bonis		
5,657,507	A	8/1997	Wasak		
D386,851	S *	11/1997	Levine	D32/40
D409,343	S *	5/1999	Kingry et al.	D32/50
D423,742	S *	4/2000	Kingry et al.	D32/40
6,178,584	B1	1/2001	Post		
D464,181	S *	10/2002	Ng	D32/40

* cited by examiner

Primary Examiner—Pamela J. Burgess

(57) **CLAIM**

The ornamental design for a interior vehicle window cleaner, as shown and described.

DESCRIPTION

FIG. 1 is a top plan view of an interior vehicle window cleaner showing my new design;

FIG. 2 is a side elevational view thereof;

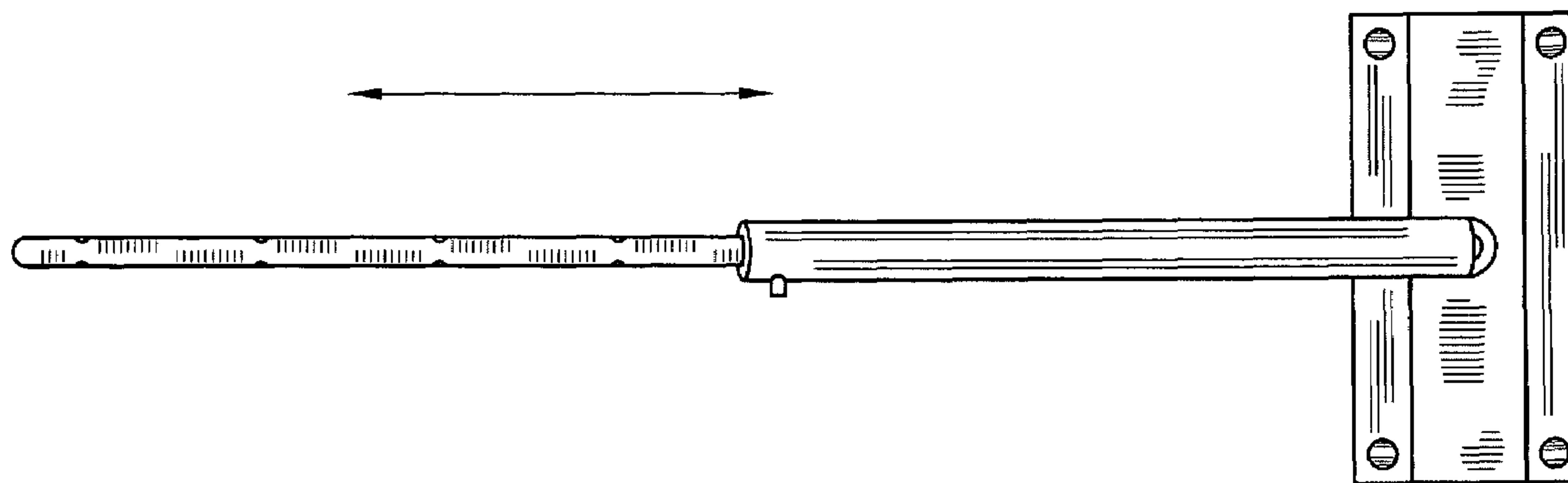
FIG. 3 is a front elevational view thereof;

FIG. 4 is a top plan view showing the present invention adapted to a retracted position;

FIG. 5 is a side elevational view thereof; and,

FIG. 6 is a front elevational view thereof.

1 Claim, 6 Drawing Sheets



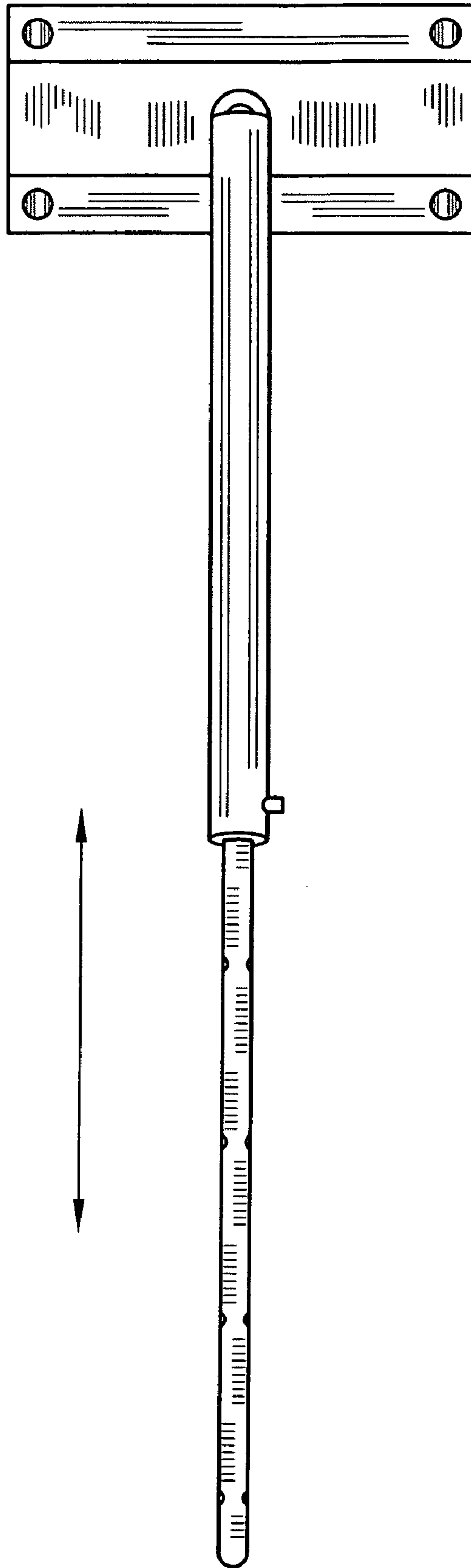


FIG. 1

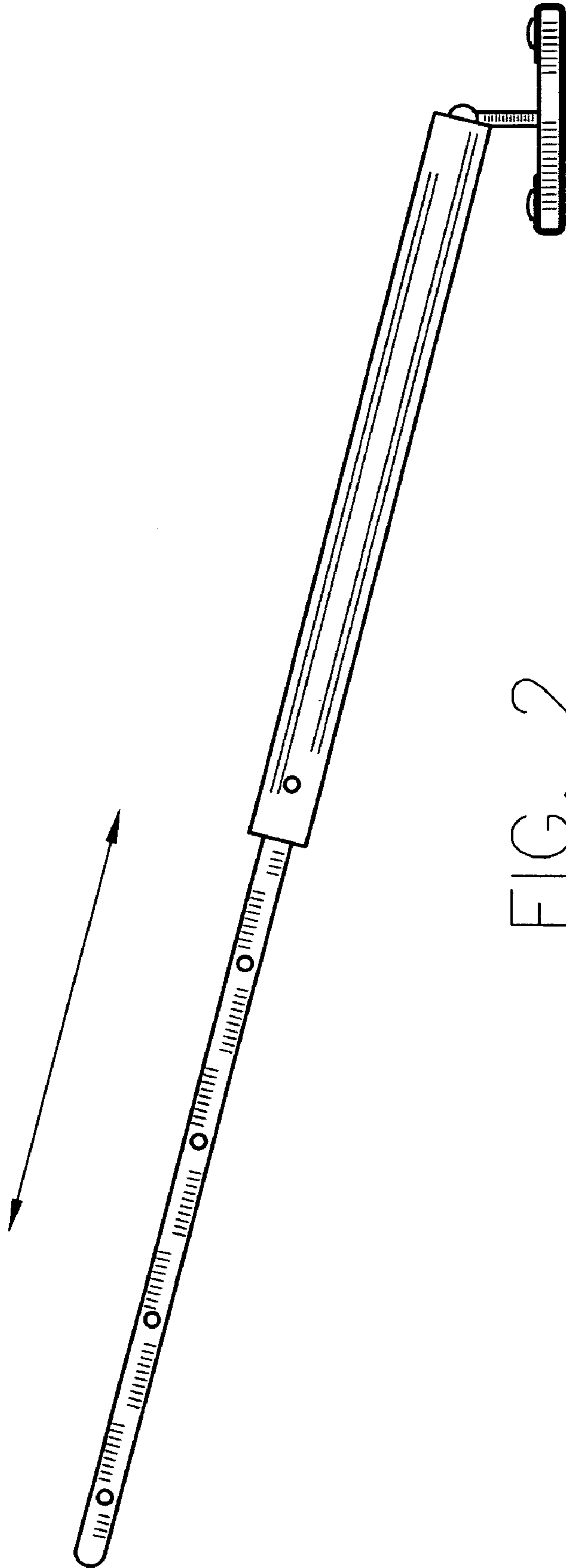


FIG. 2

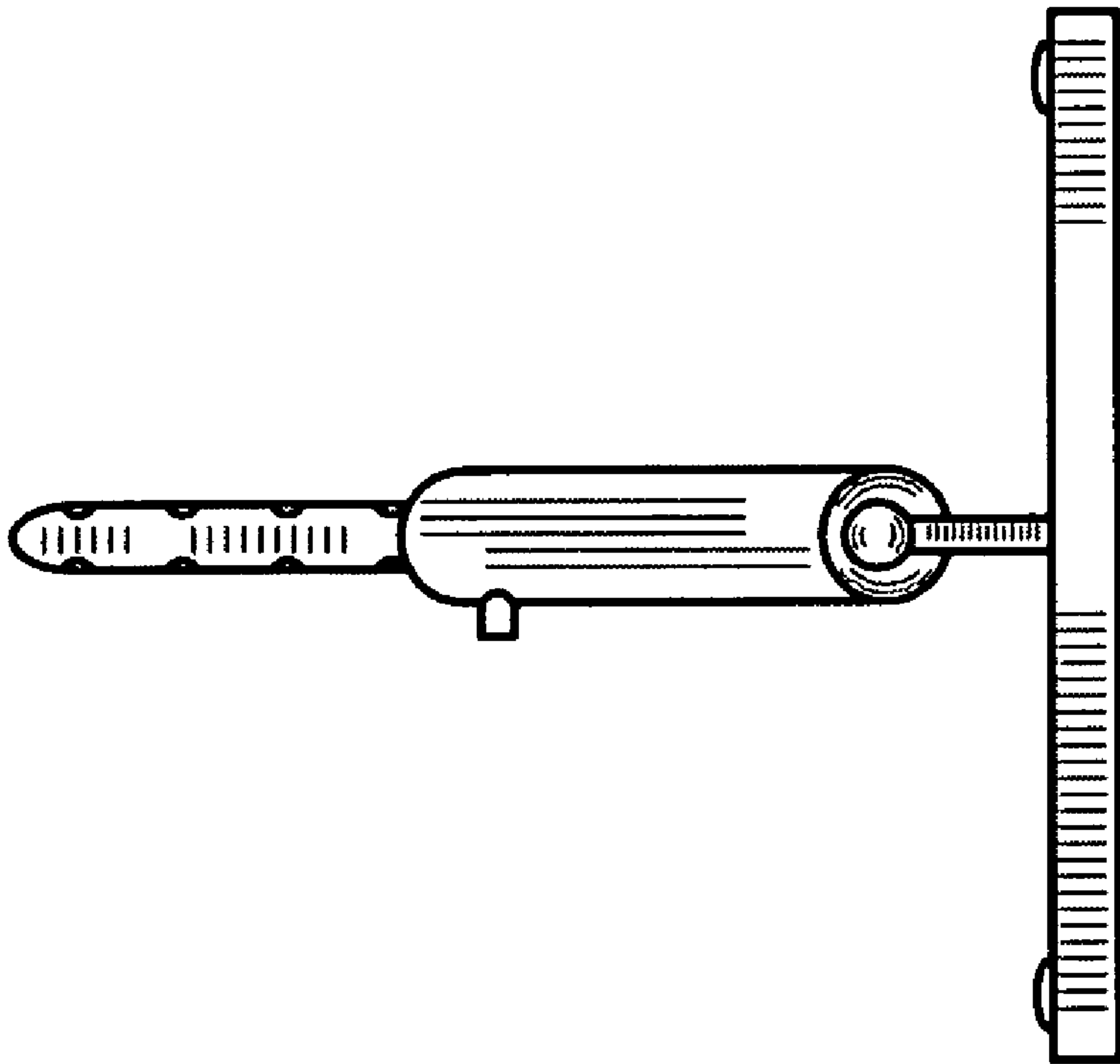


FIG. 3

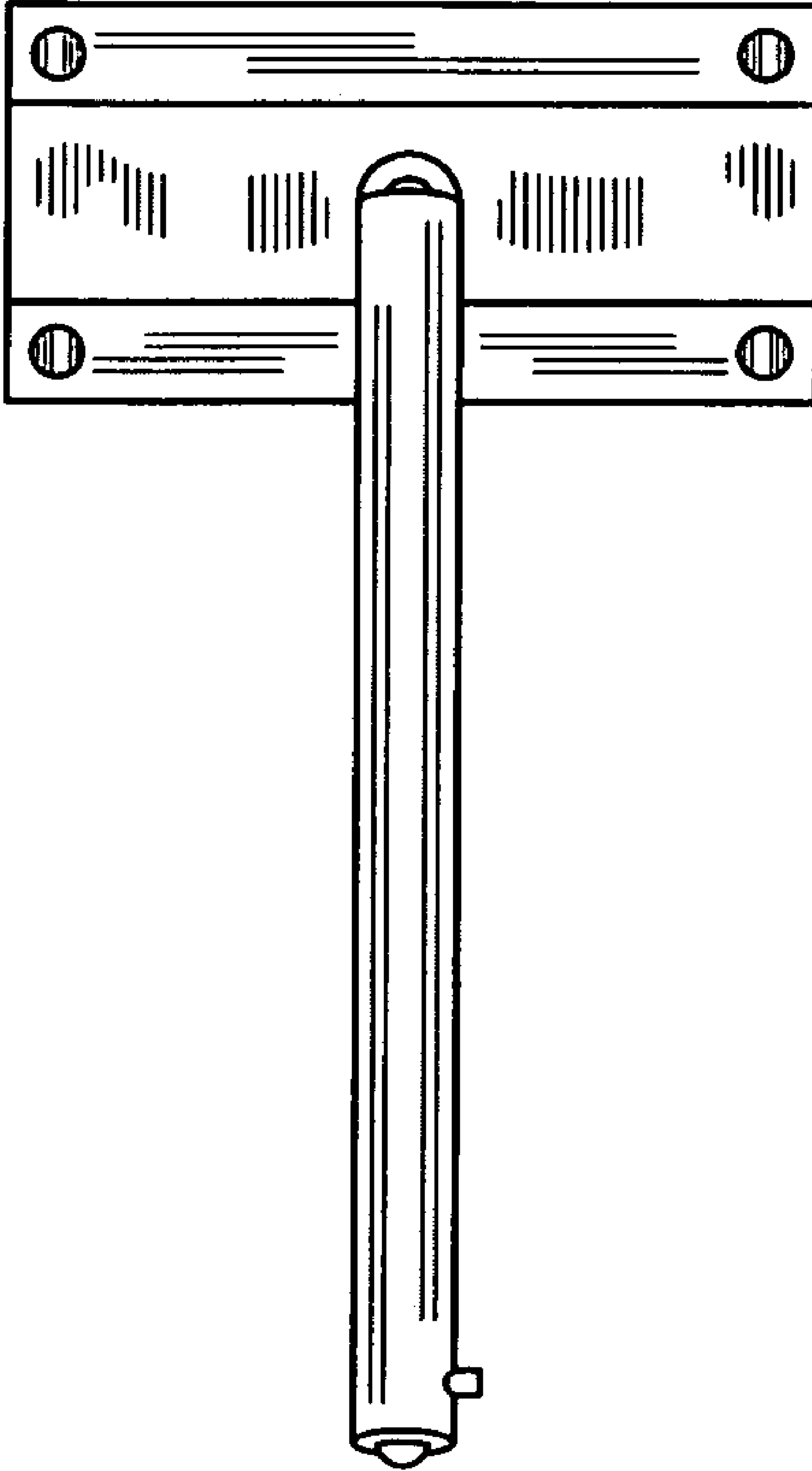


FIG. 4



FIG. 5

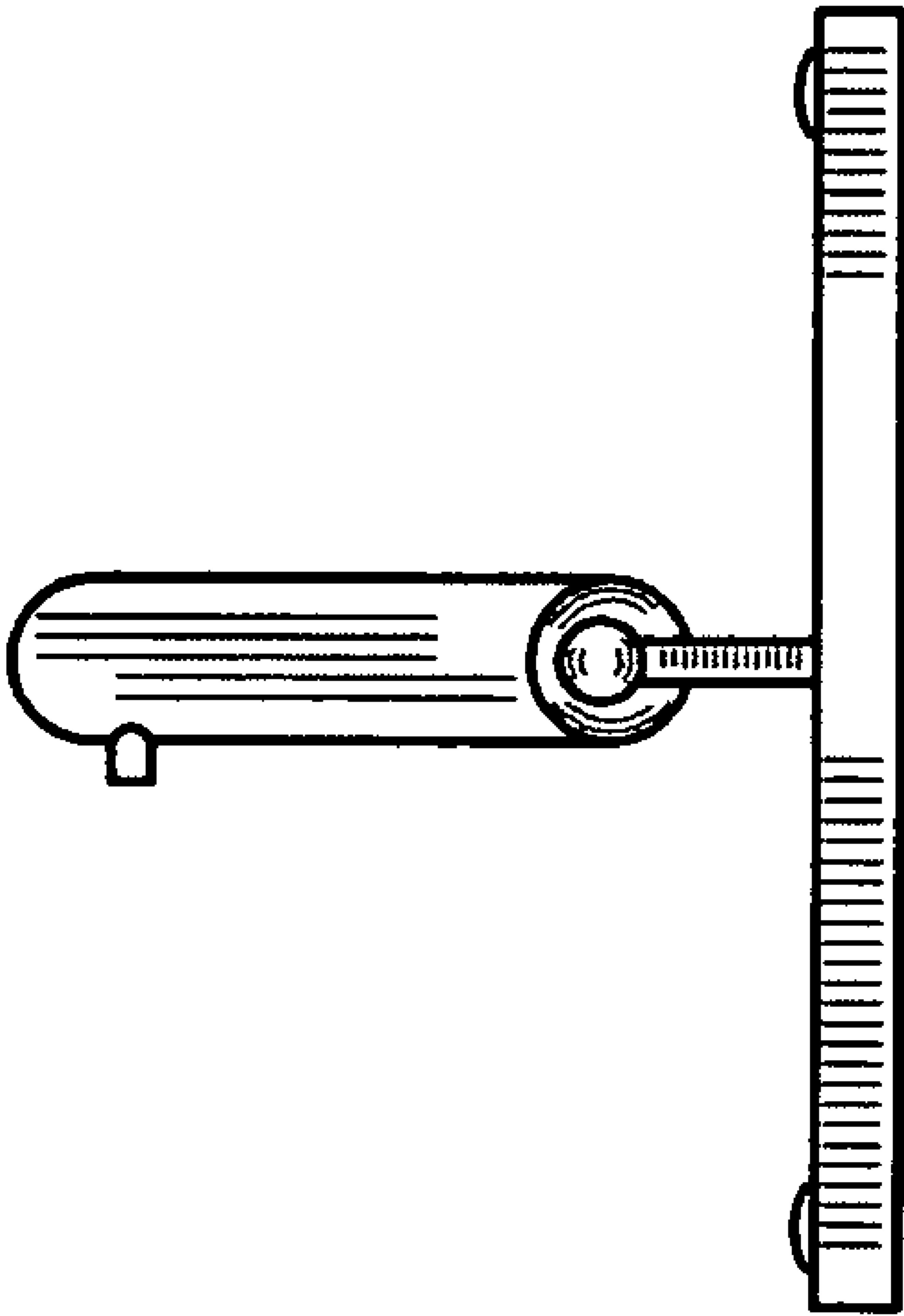


FIG. 6