



US00D558415S

(12) **United States Design Patent**  
**Franco**

(10) **Patent No.:** **US D558,415 S**

(45) **Date of Patent:** **\*\* Dec. 25, 2007**

(54) **SCRUBBER MITT**

(75) Inventor: **Michael Franco**, Brooklyn, NY (US)

(73) Assignee: **Franco Manufacturing Company, Inc.**, Metuchen, NJ (US)

(\*\*) Term: **14 Years**

(21) Appl. No.: **29/245,474**

(22) Filed: **Dec. 22, 2005**

**Related U.S. Application Data**

(63) Continuation-in-part of application No. 29/193,275, filed on Nov. 5, 2003, now Pat. No. Des. 511,233, and a continuation-in-part of application No. 29/228,687, filed on Apr. 26, 2005, now Pat. No. Des. 514,762.

(51) **LOC (8) Cl.** ..... **04-01**

(52) **U.S. Cl.** ..... **D32/40**

(58) **Field of Classification Search** ..... D32/35, D32/40; 15/104.93, 104.94, 118, 208, 209.1, 15/227; D4/137, 138, 154; 401/7; D28/63  
See application file for complete search history.

(56) **References Cited**

**U.S. PATENT DOCUMENTS**

1,208,064	A *	12/1916	Wilber	.....	601/138
2,913,745	A *	11/1959	Welvang	.....	15/104.002
D206,997	S *	2/1967	Epstein et al.	.....	D32/40
3,581,447	A *	6/1971	Falivene	.....	451/532
3,806,260	A *	4/1974	Miller	.....	401/7
4,359,798	A *	11/1982	Loran	.....	15/104.94
D270,582	S *	9/1983	Pietrocola	.....	D32/40
D290,777	S *	7/1987	Lee	.....	D32/40
4,902,283	A *	2/1990	Rojko et al.	.....	604/290
D354,594	S *	1/1995	Reuswig	.....	D32/40
D418,954	S *	1/2000	Ferdenzi	.....	D32/35
6,145,155	A *	11/2000	James et al.	.....	15/227
6,168,019	B1 *	1/2001	Olson	.....	206/390
6,206,863	B1 *	3/2001	Skewes et al.	.....	604/290

6,250,829	B1 *	6/2001	Brower et al.	.....	401/7
6,305,044	B1 *	10/2001	James et al.	.....	15/227
D514,762	S *	2/2006	Franco	.....	D32/40

\* cited by examiner

*Primary Examiner*—Cynthia E. Ramirez

(74) *Attorney, Agent, or Firm*—Amster, Rothstein & Ebenstein LLP

(57) **CLAIM**

The ornamental design for a scrubber mitt, as shown and described.

**DESCRIPTION**

FIG. 1 is an isometric view, from the top, front and one side, of a first embodiment of a scrubber mitt showing my new design;

FIG. 2 is an isometric view, from the top, rear and other side thereof;

FIG. 3 is an isometric view similar to FIG. 1, but of a second embodiment;

FIG. 4 is an isometric view similar to FIG. 2, but of the second embodiment; and,

FIG. 5 is a bottom plan view of each of the first and second embodiments.

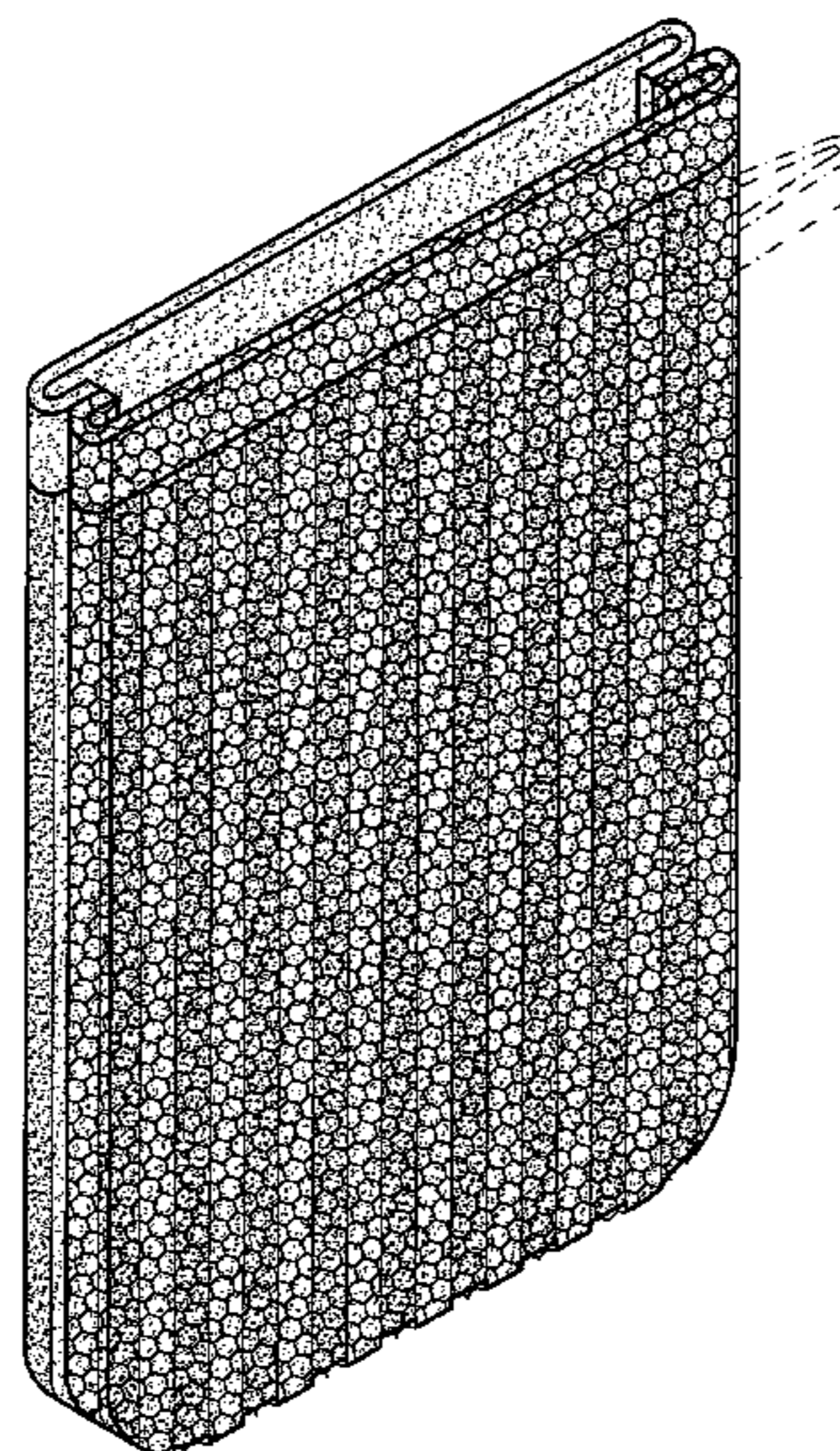
The stipling in FIGS. 1–5 represents a somewhat rough, terrycloth-like surface constituting a scrubbing face of the mitt.

The mesh in FIGS. 1–5 represents a mesh netting constituting an outer scrubbing surface on one scrubbing face of the mitt.

The cloth loop indicated in dotted line in FIGS. 1–5 represents only an environment of use and forms no part of the claimed design.

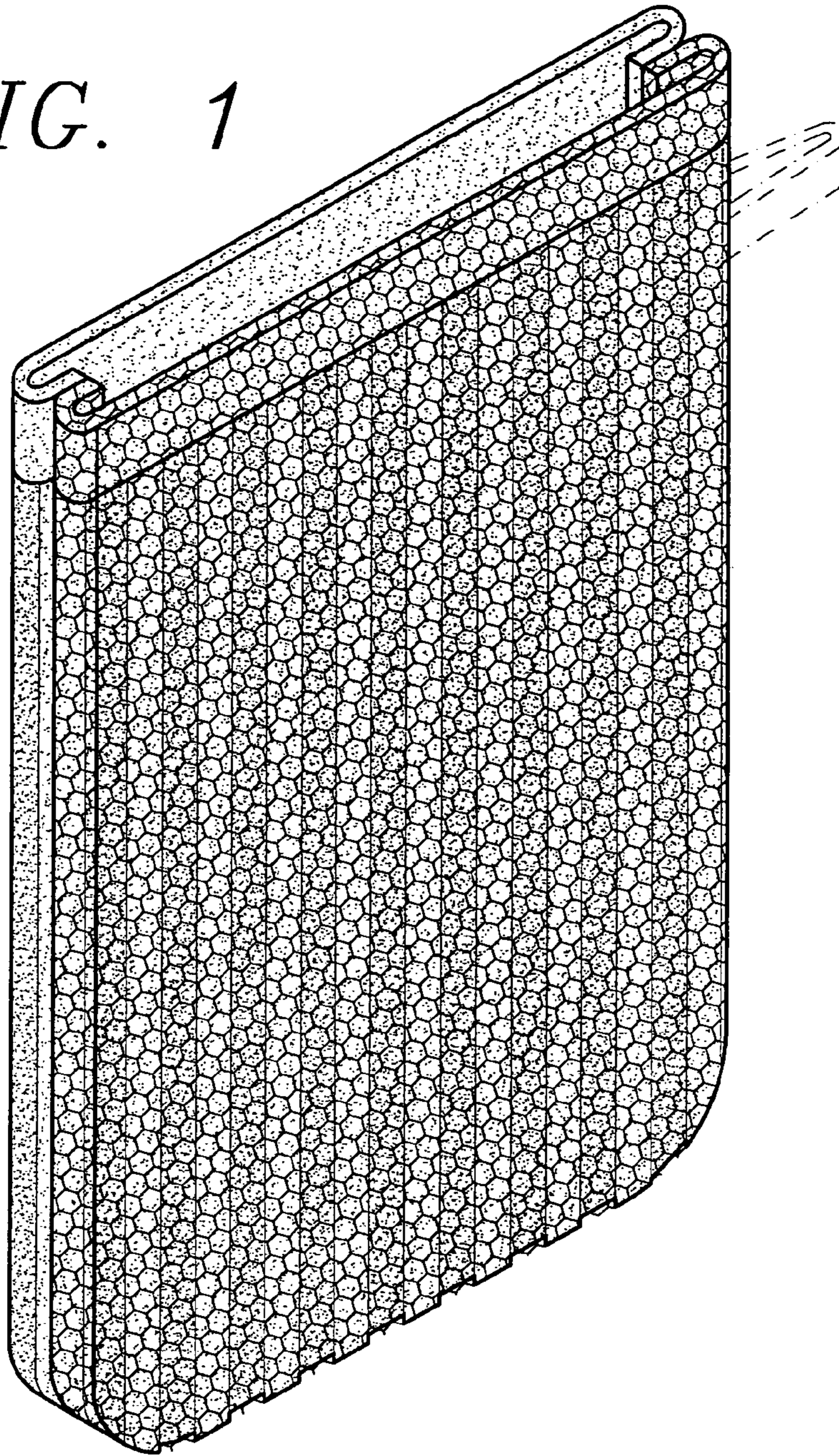
The shading in FIGS. 1–5 represents contrasting color only.

**1 Claim, 4 Drawing Sheets**





*FIG. 1*

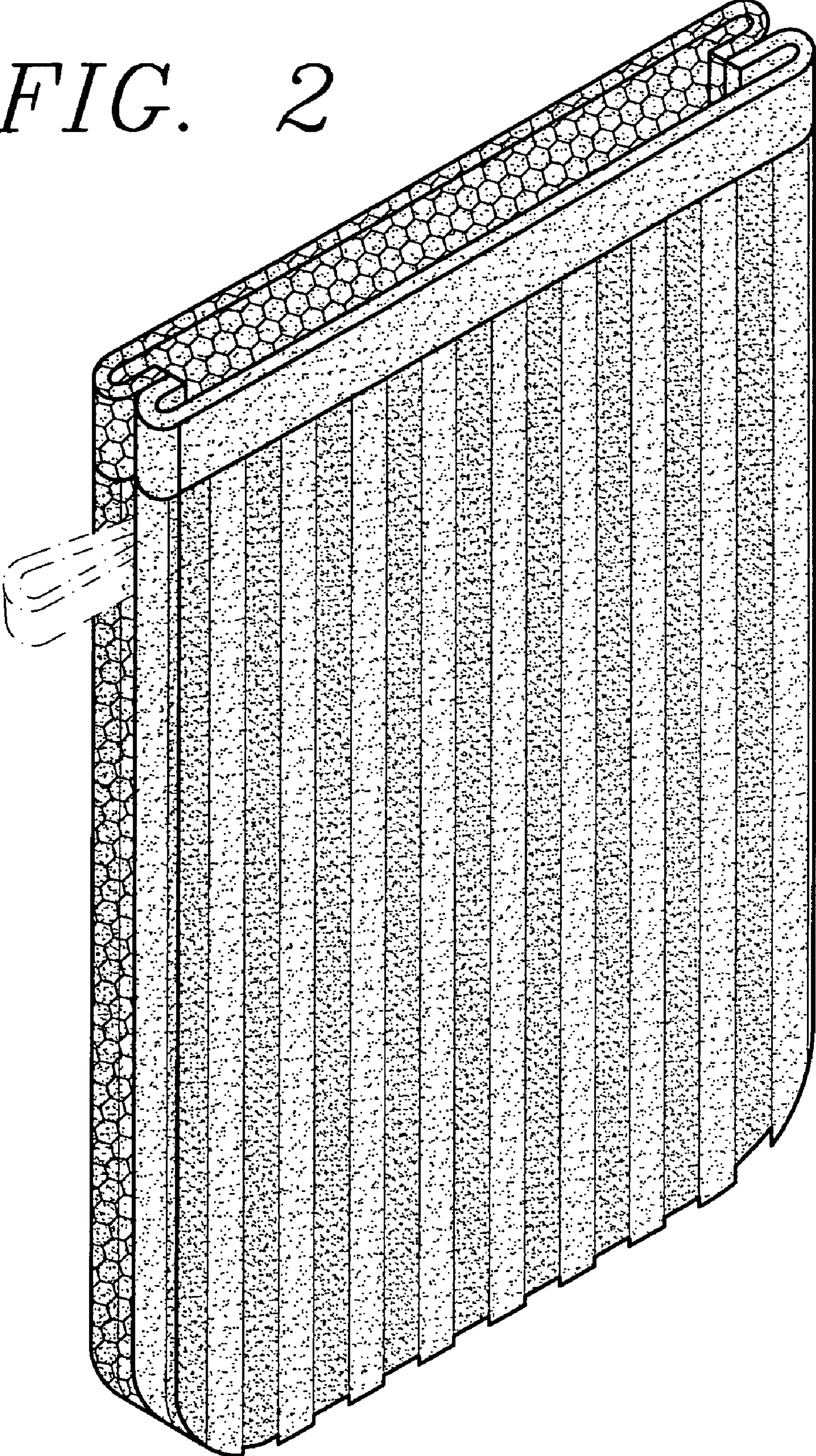


*FIG. 5*



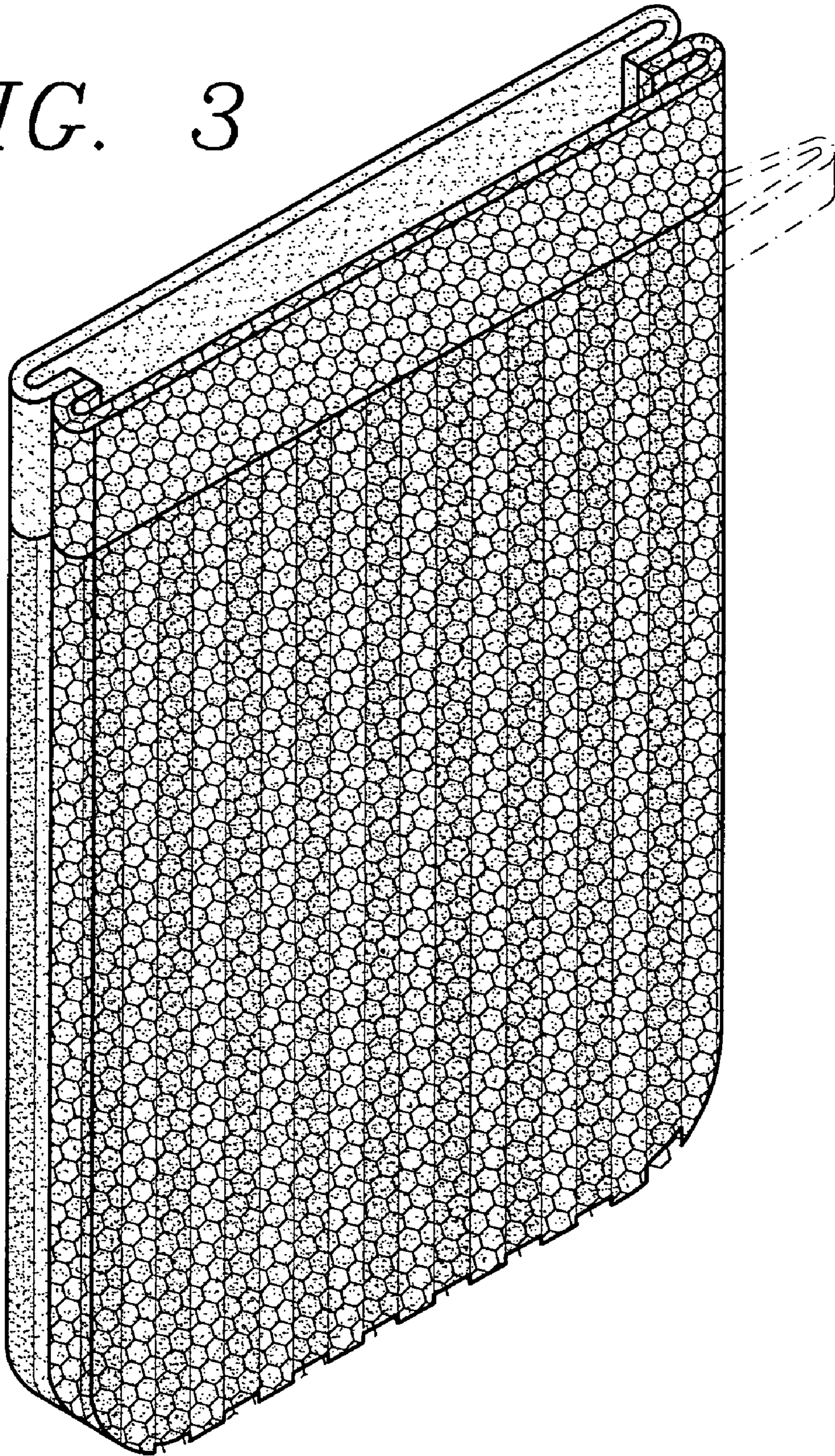


*FIG. 2*





*FIG. 3*





*FIG. 4*

