



US00D558413S

(12) **United States Design Patent** (10) **Patent No.:** **US D558,413 S**
Carr et al. (45) **Date of Patent:** **** Dec. 25, 2007**

(54) **VACUUM CLEANER HANDLE PORTION**
(75) Inventors: **Adam G. Carr**, Grand Rapids, MI (US); **Mitchell E. Auerbach**, Grand Haven, MI (US); **Douglas J. Medema**, Belding, MI (US)

(73) Assignee: **Bissell Homecare, Inc.**, Grand Rapids, MI (US)

(**) Term: **14 Years**

(21) Appl. No.: **29/246,193**

(22) Filed: **Mar. 10, 2006**

(51) **LOC (8) Cl.** **15-05**

(52) **U.S. Cl.** **D32/31**

(58) **Field of Classification Search** D32/21-22, D32/31, 34; 15/328-329, 320-321, 323, 15/257.01, 347, 350-353, 361, 363, 366, 15/410-412, 414, 415.1, 335, 327.1
See application file for complete search history.

(56) **References Cited**

U.S. PATENT DOCUMENTS

D375,820 S	11/1996	Piccaluga et al.	
D387,518 S *	12/1997	Medema	D32/22
D391,702 S	3/1998	Wareham et al.	
D412,379 S *	7/1999	Stephens et al.	D32/31
D428,677 S	7/2000	Saunders et al.	
D439,385 S	3/2001	Salo et al.	
D440,365 S	4/2001	Salo et al.	
D451,655 S	12/2001	Roberts et al.	
D453,404 S	2/2002	Farone et al.	

D461,285 S	8/2002	Hammond	
D462,489 S *	9/2002	Roberts et al.	D32/31
D462,813 S	9/2002	Nakano et al.	
D462,815 S *	9/2002	Roberts et al.	D32/31
D469,226 S *	1/2003	Stephens	D32/31
D477,698 S *	7/2003	Roberts et al.	D32/31
D487,323 S	3/2004	Leyden et al.	
D490,949 S	6/2004	Elrod et al.	
D494,720 S	8/2004	Rosenzweig et al.	
D498,887 S	11/2004	Kent	
D515,755 S	2/2006	Leyden	
D516,760 S	3/2006	Choi	
D522,200 S	5/2006	Scheifele et al.	
2005/0060835 A1	3/2005	Kondo	

* cited by examiner

Primary Examiner—Ruth McInroy

(74) *Attorney, Agent, or Firm*—McGarry Bair PC

(57) **CLAIM**

The ornamental design for a vacuum cleaner handle portion, as shown and described.

DESCRIPTION

FIG. 1 is a front perspective view of a vacuum cleaner handle portion which embodies our design;

FIG. 2 is a front view thereof,

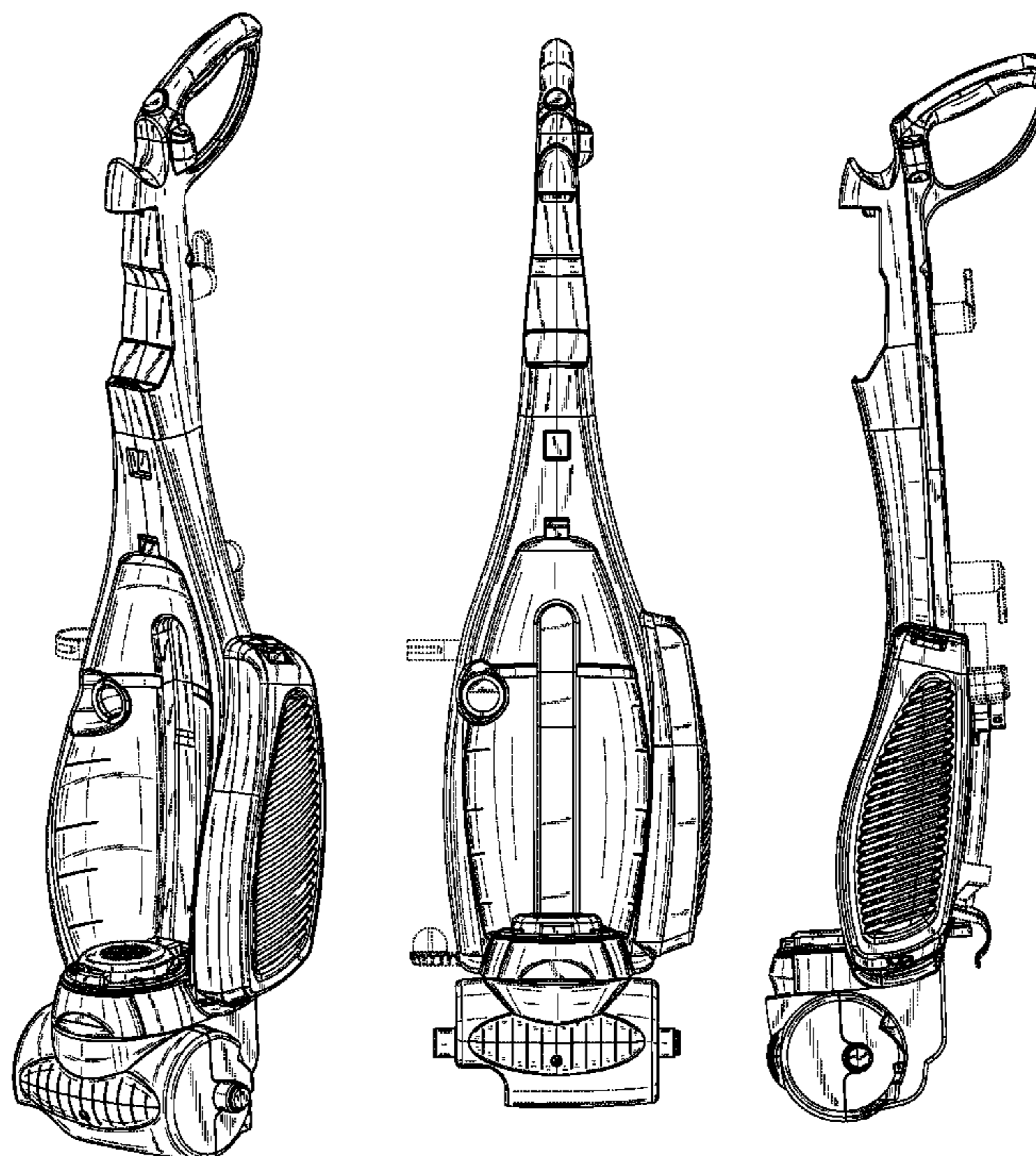
FIG. 3 is a rear view thereof;

FIG. 4 is a right side view thereof,

FIG. 5 is a left side view thereof, and,

FIG. 6 is a top view thereof.

1 Claim, 6 Drawing Sheets



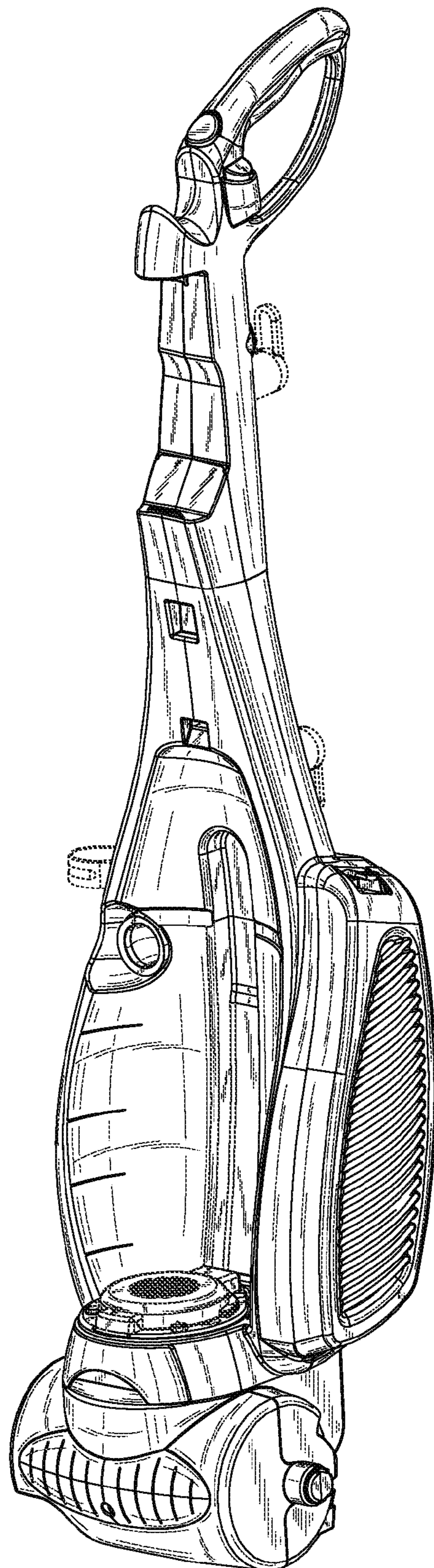


Fig. 1

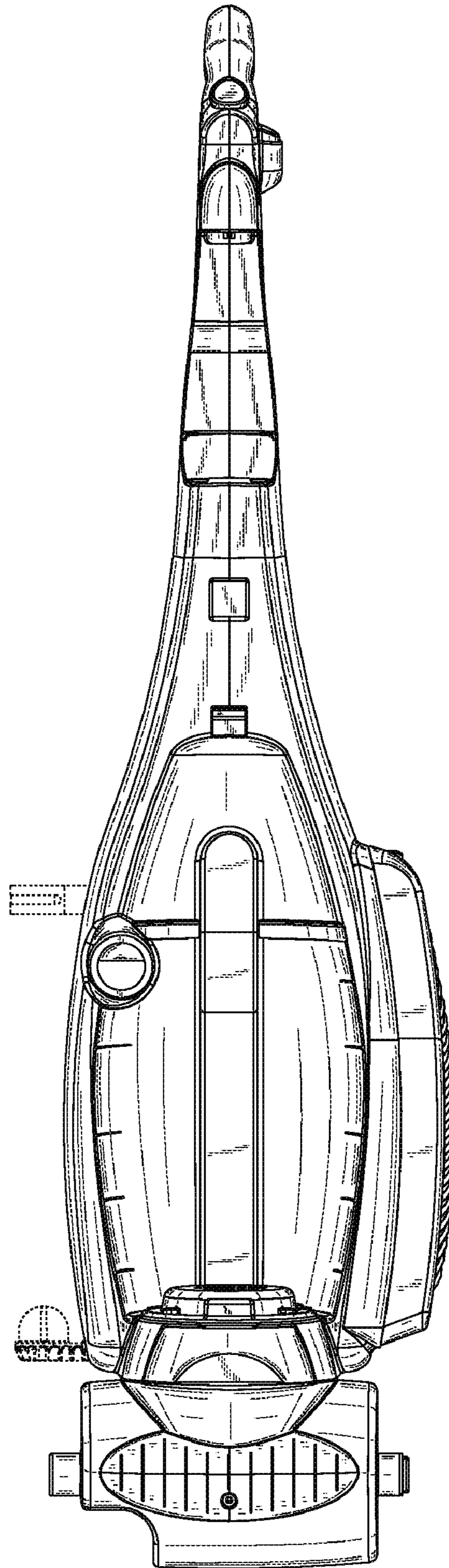


Fig. 2

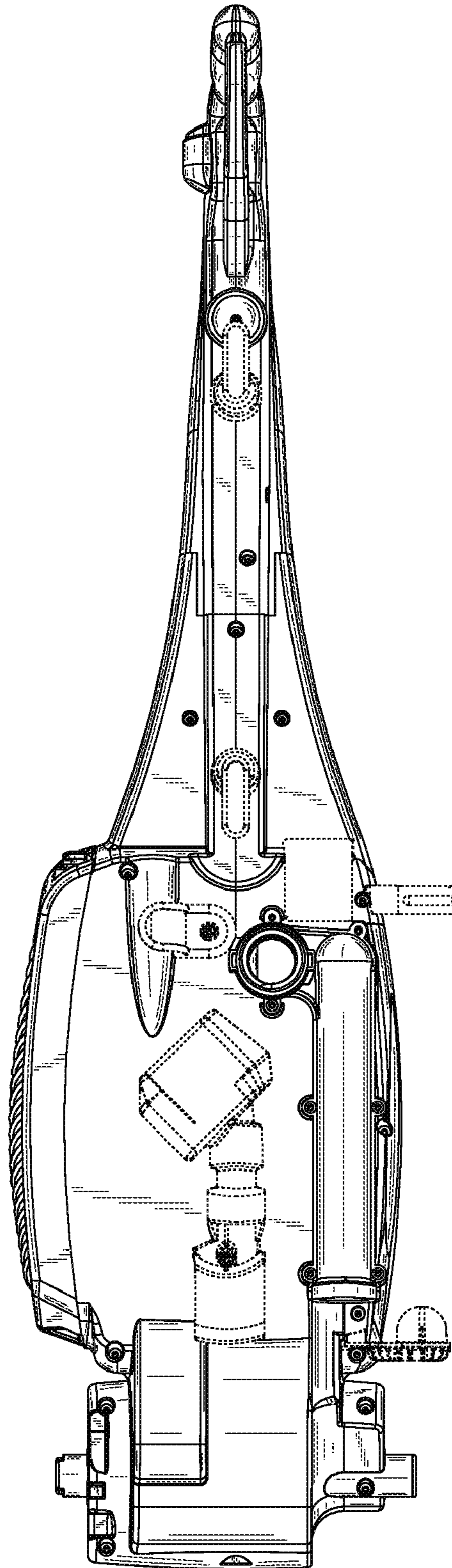


Fig. 3

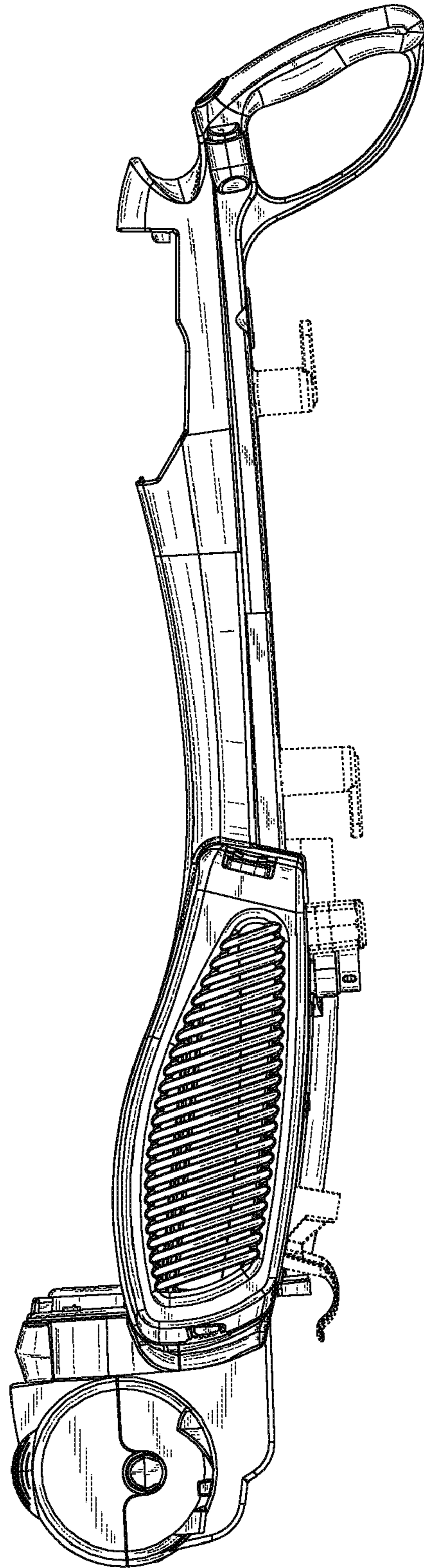


Fig. 4

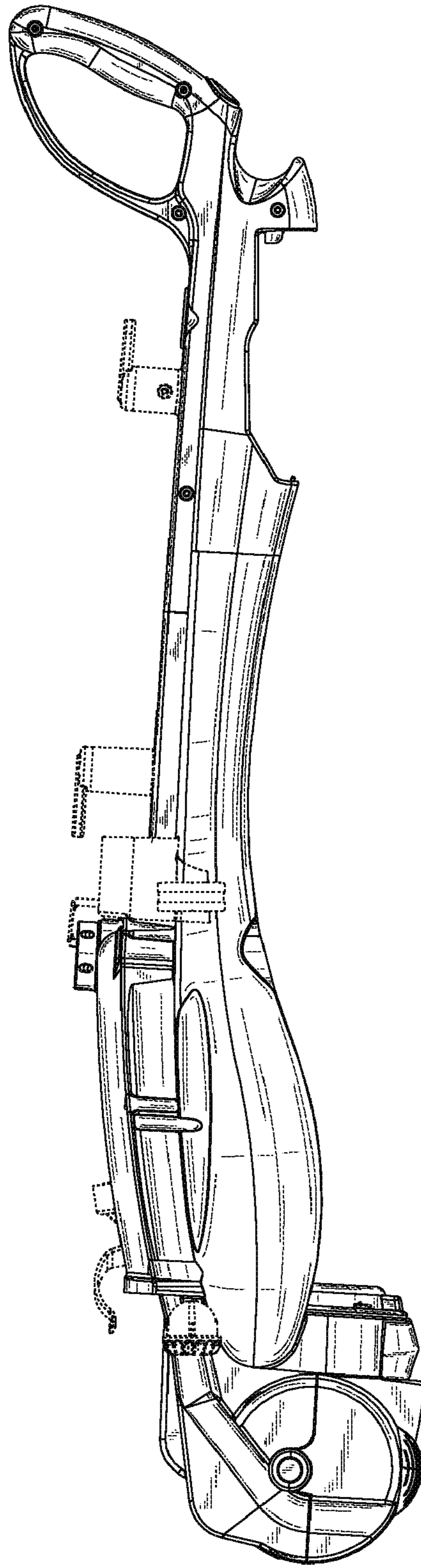


Fig. 5

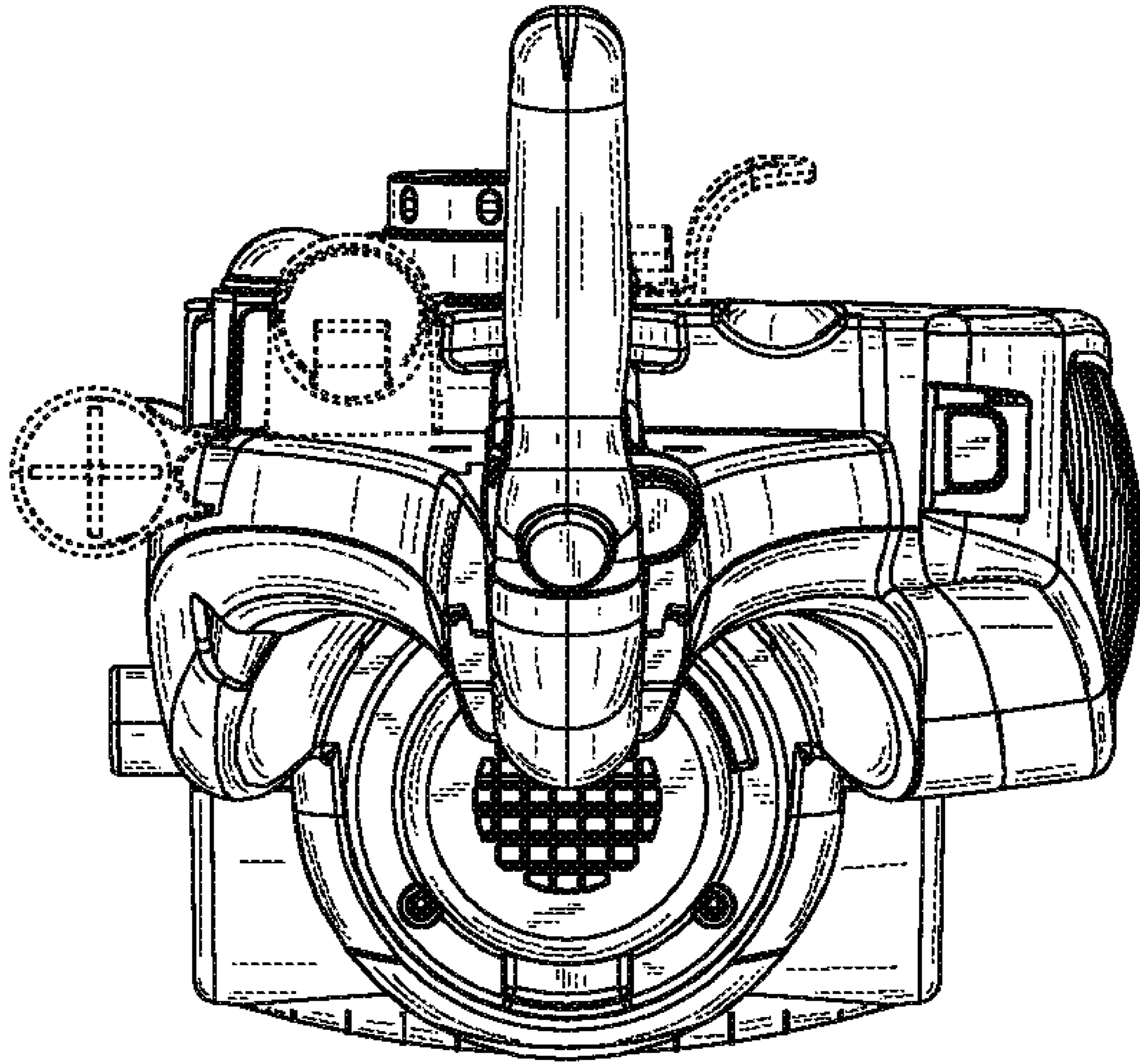


Fig. 6