



US00D558412S

(12) **United States Design Patent**
Medema et al.

(10) **Patent No.:** **US D558,412 S**

(45) **Date of Patent:** **** Dec. 25, 2007**

(54) **VACUUM CLEANER LOWER HANDLE PORTION**

(75) Inventors: **Douglas J. Medema**, Belding, MI (US); **Bryce G. Rutter**, St. Louis, MO (US); **Marc W. Hunter**, St. Louis, MO (US); **Jeffery F. Feng**, St. Louis, MO (US); **David D. Kusch**, St. Louis, MO (US); **Melvin Joshua Leedle**, St. Louis, MO (US)

(73) Assignee: **Bissell Homecare, Inc.**, Grand Rapids, MI (US)

(**) Term: **14 Years**

(21) Appl. No.: **29/246,179**

(22) Filed: **Mar. 10, 2006**

(51) **LOC (8) Cl.** **15-05**

(52) **U.S. Cl.** **D32/31**

(58) **Field of Classification Search** D32/21-22, D32/31, 34; 15/328-329, 320-321, 323, 15/257.01, 347, 350-353, 361, 363, 366, 15/410-412, 414, 415.1, 335, 327.1
See application file for complete search history.

(56) **References Cited**

U.S. PATENT DOCUMENTS

D375,820 S 11/1996 Piccaluga et al.
D388,915 S 1/1998 Wareham

D391,702 S 3/1998 Wareham et al.
D400,324 S * 10/1998 Bobrosky et al. D32/31
D412,379 S 7/1999 Stephens et al.
D440,365 S * 4/2001 Salo et al. D32/31
D515,755 S * 2/2006 Leyden D32/31
D541,497 S * 4/2007 Elrod D32/31
2007/0017062 A1* 1/2007 Overvaag 15/347

* cited by examiner

Primary Examiner—Ruth McInroy

(74) *Attorney, Agent, or Firm*—McGarry Bair PC

(57) **CLAIM**

The ornamental design for a vacuum cleaner lower handle portion, as shown and described.

DESCRIPTION

FIG. 1 is a front perspective view of a vacuum cleaner lower handle portion which embodies our design;

FIG. 2 is a front view thereof;

FIG. 3 is a rear view thereof;

FIG. 4 is a right side view thereof;

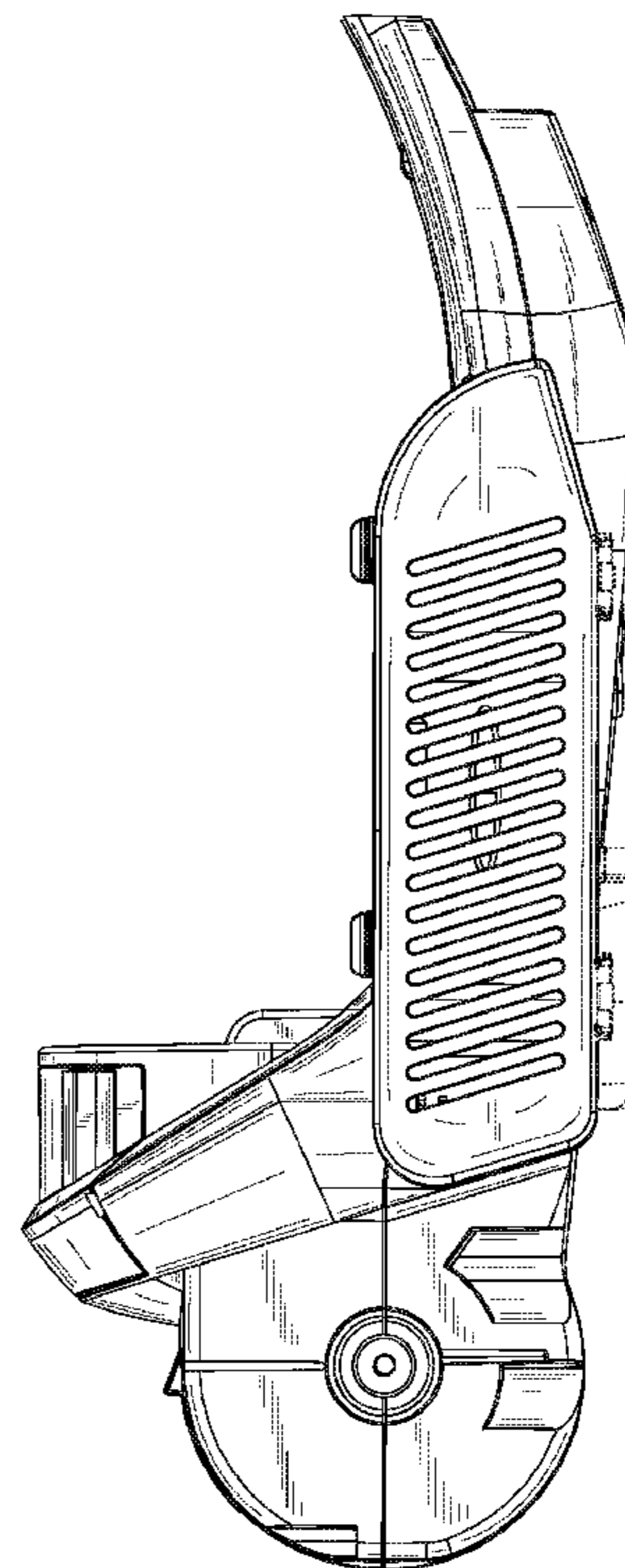
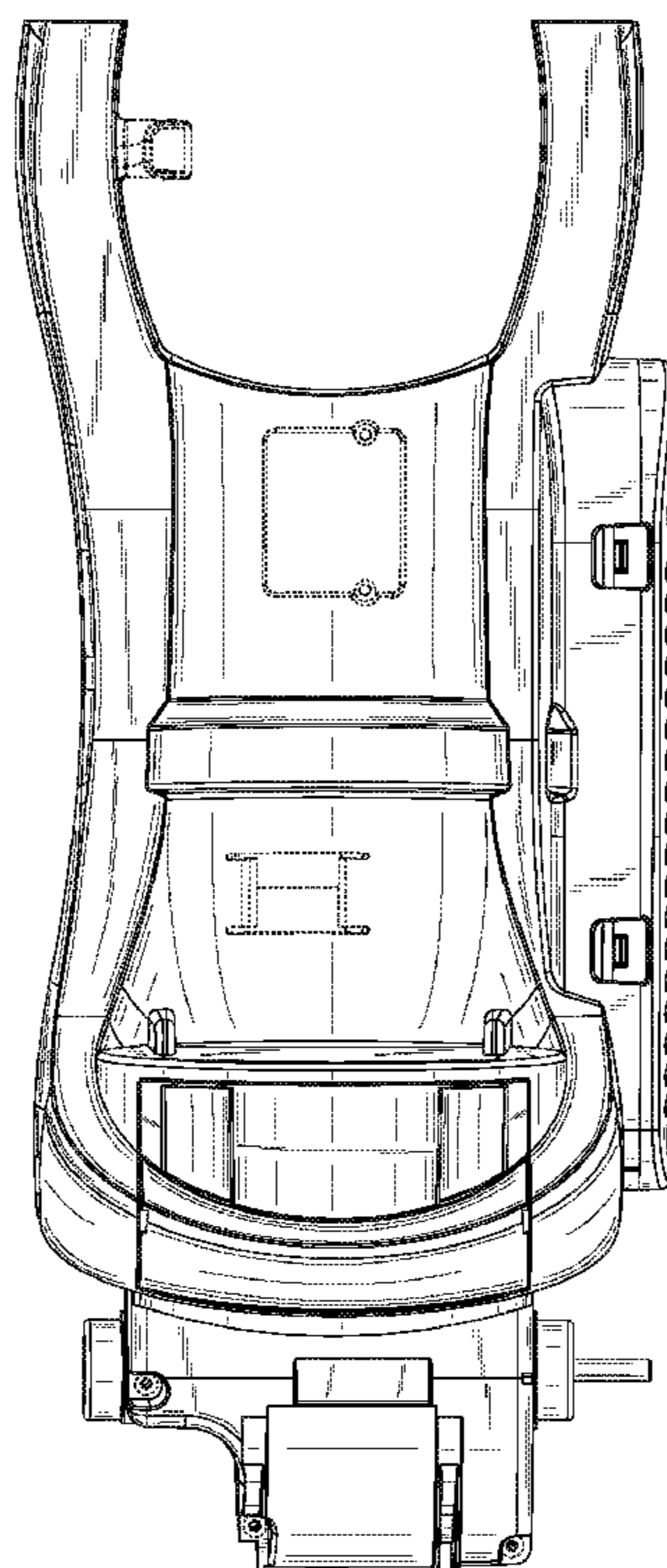
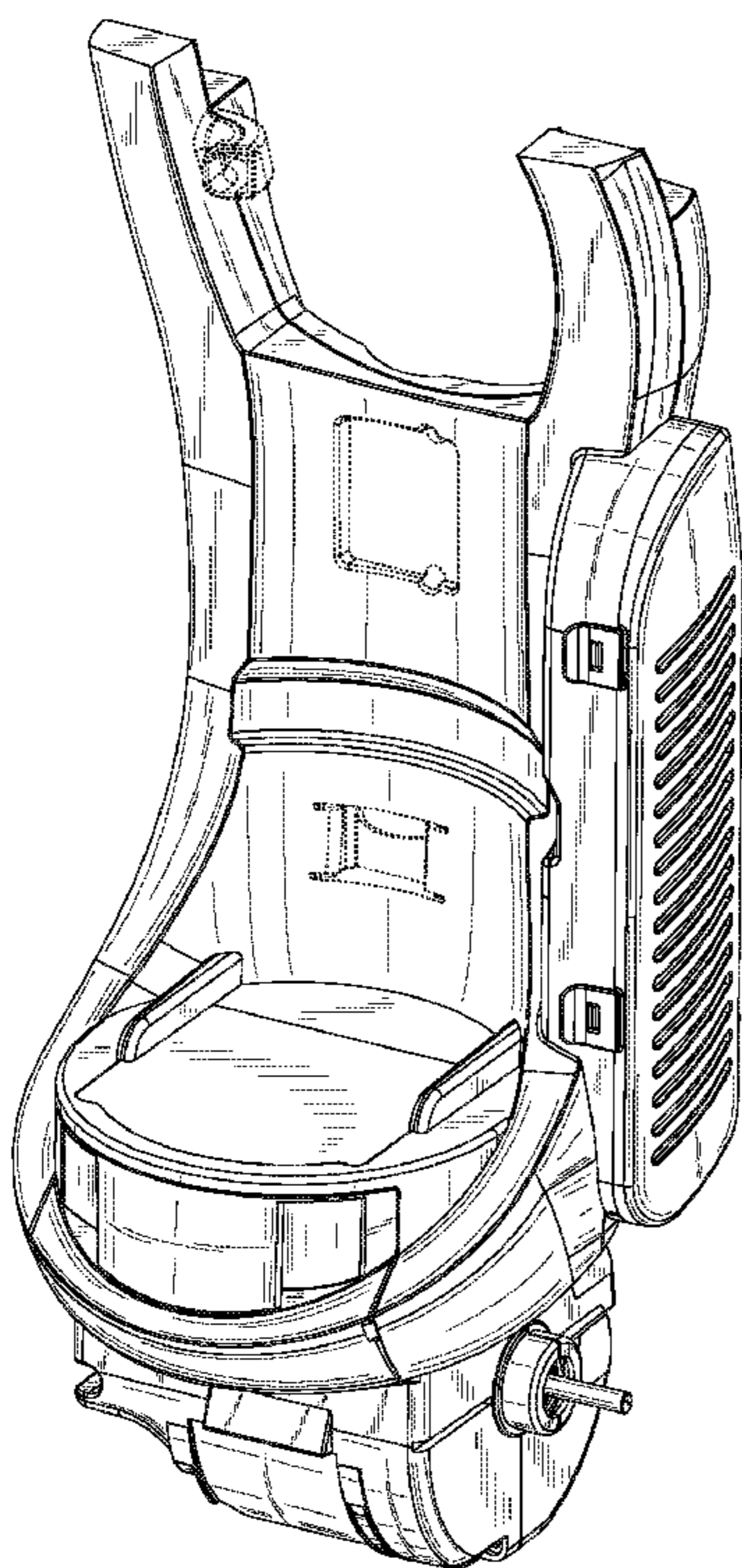
FIG. 5 is a left side view thereof;

FIG. 6 is a top view thereof; and,

FIG. 7 is a bottom view thereof.

The details shown in broken lines form no part of the claimed design.

1 Claim, 6 Drawing Sheets



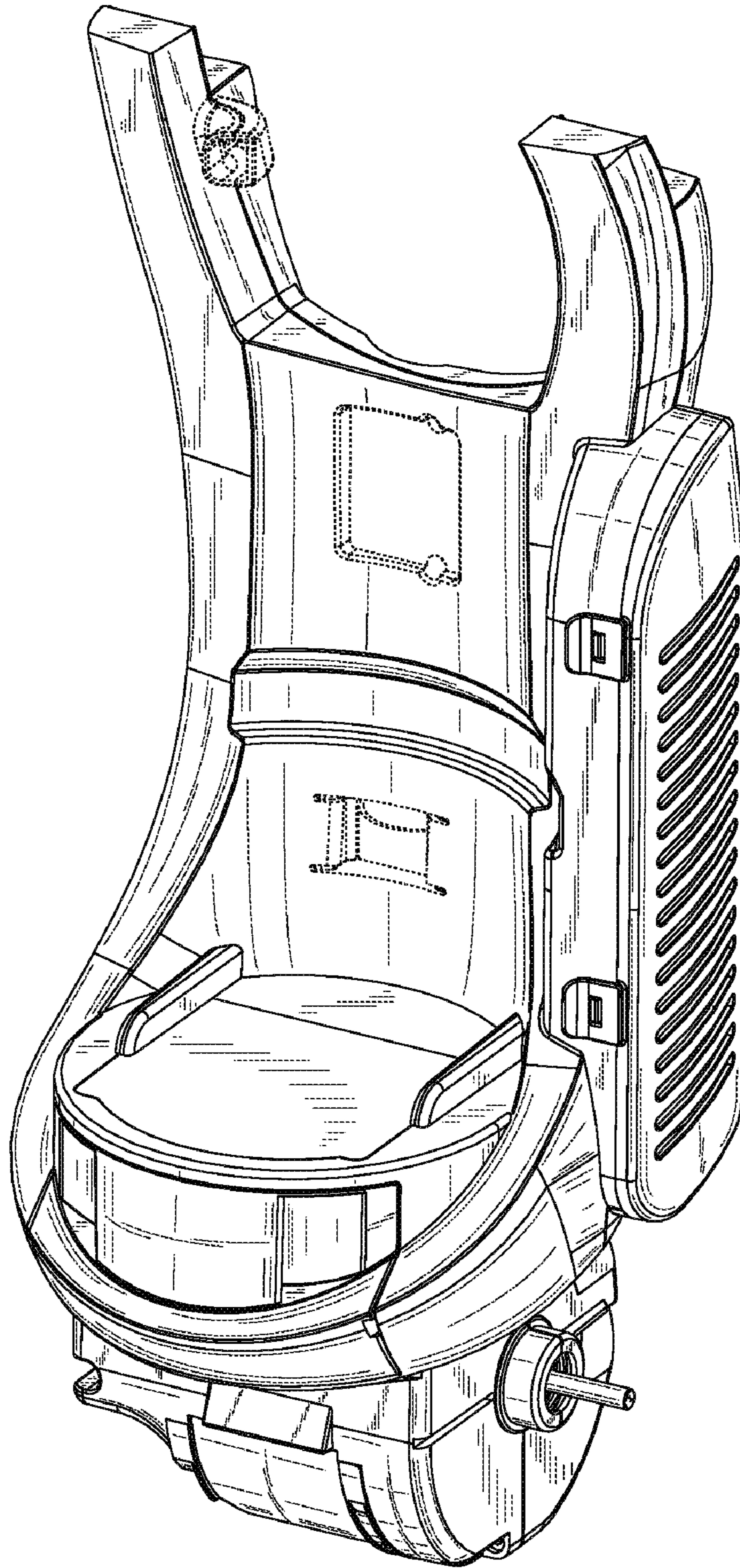


Fig. 1

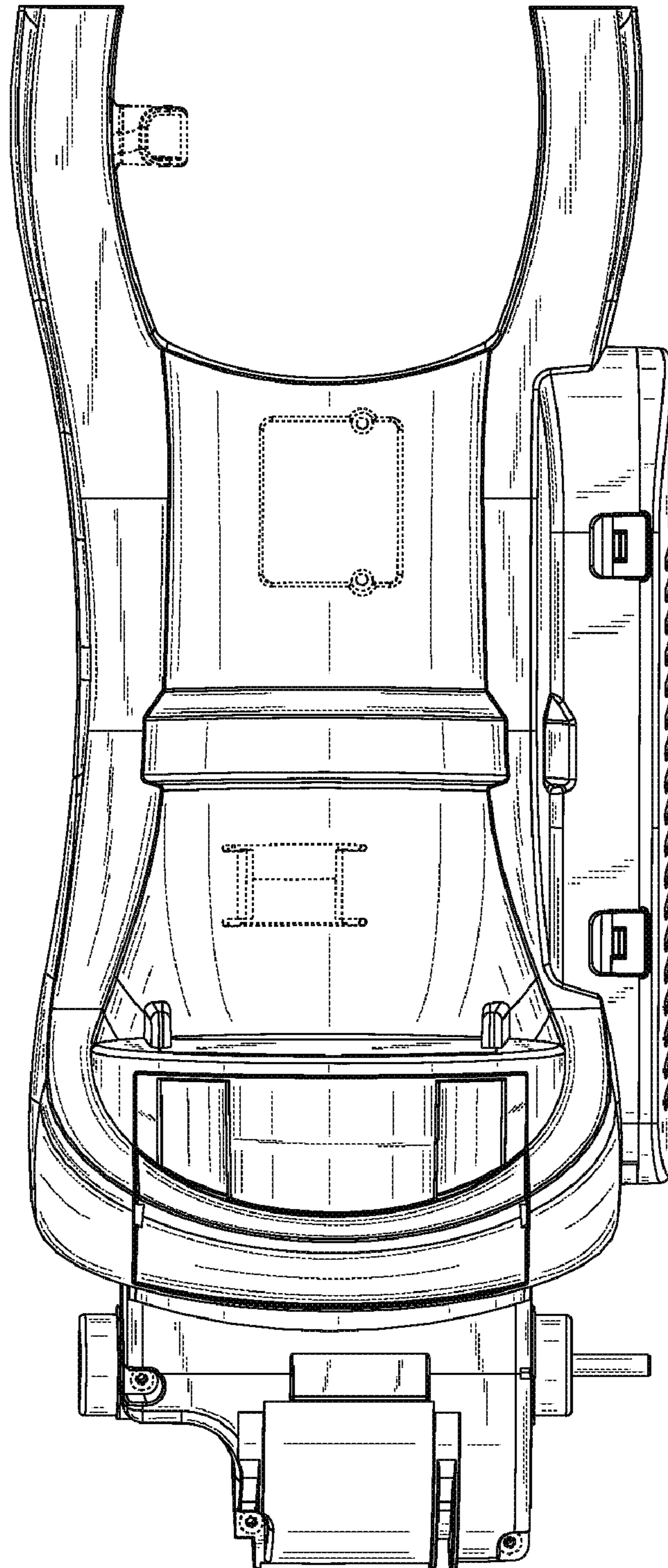


Fig. 2

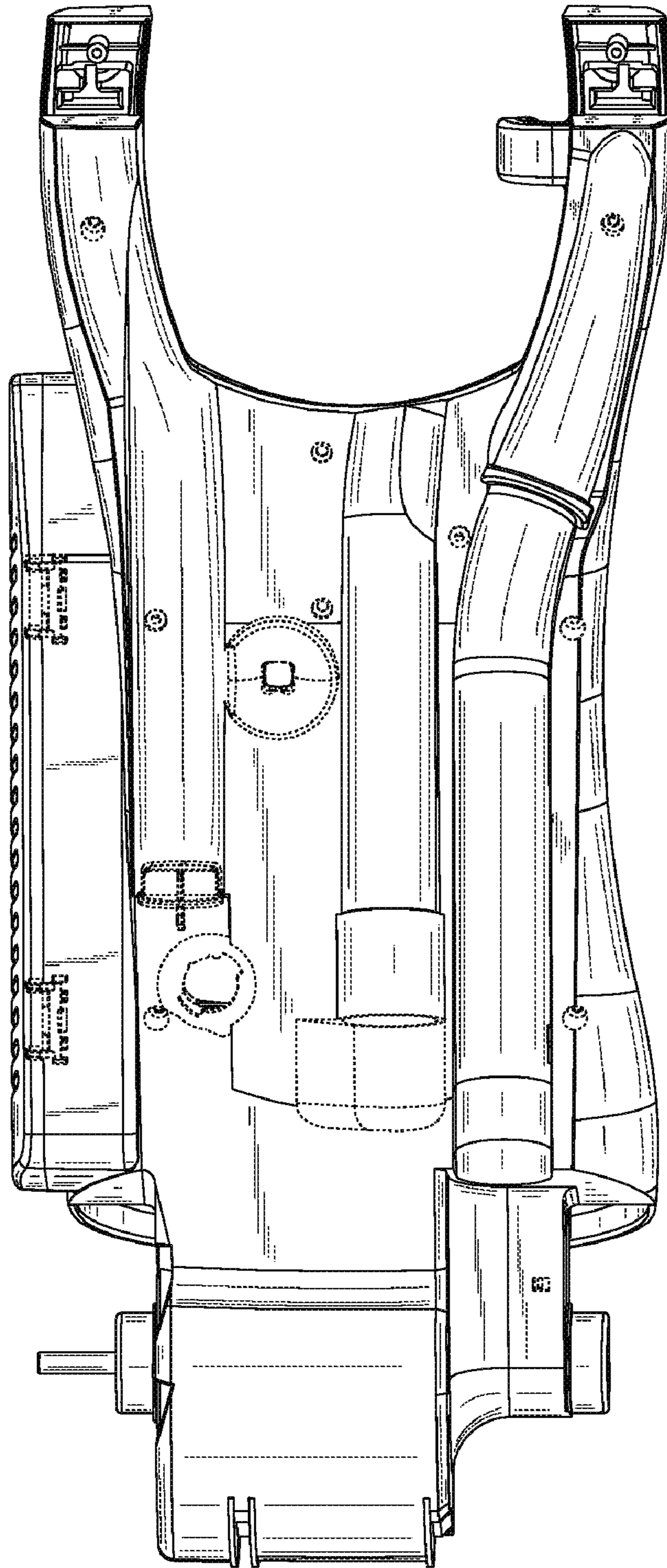


Fig. 3

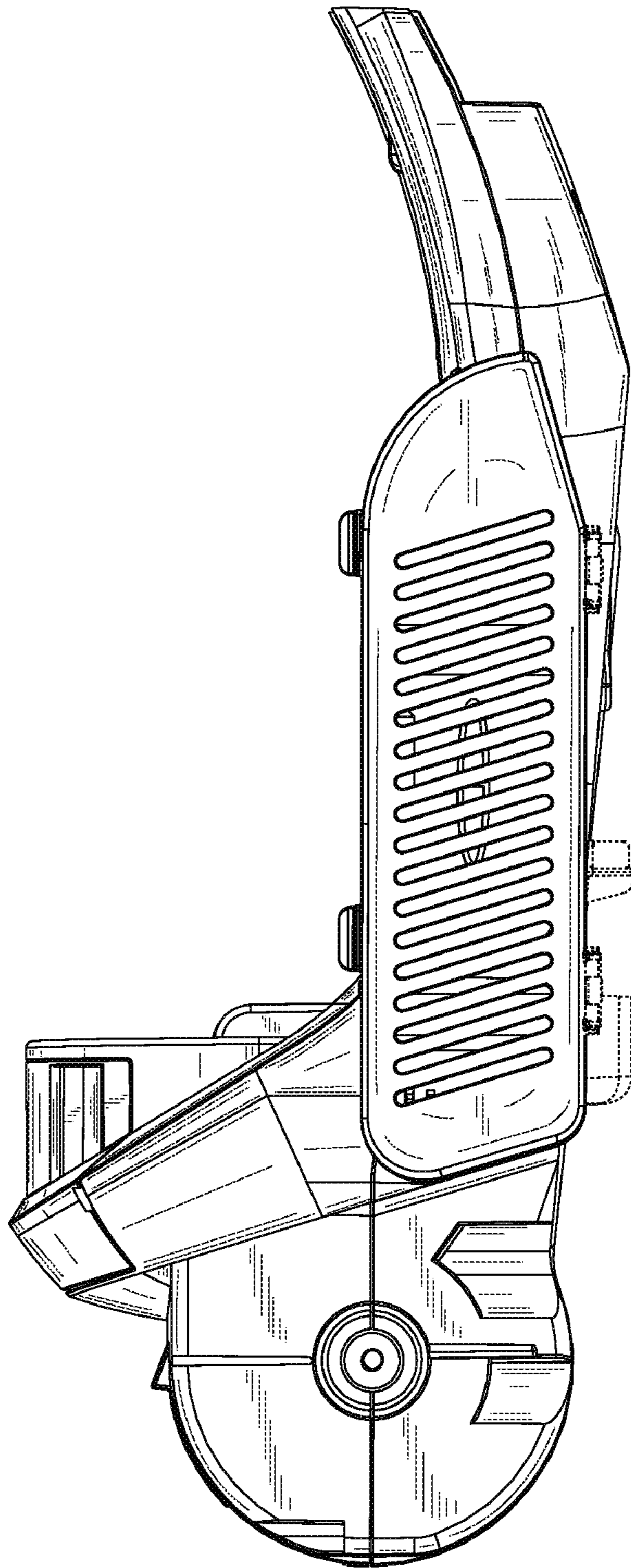


Fig. 4

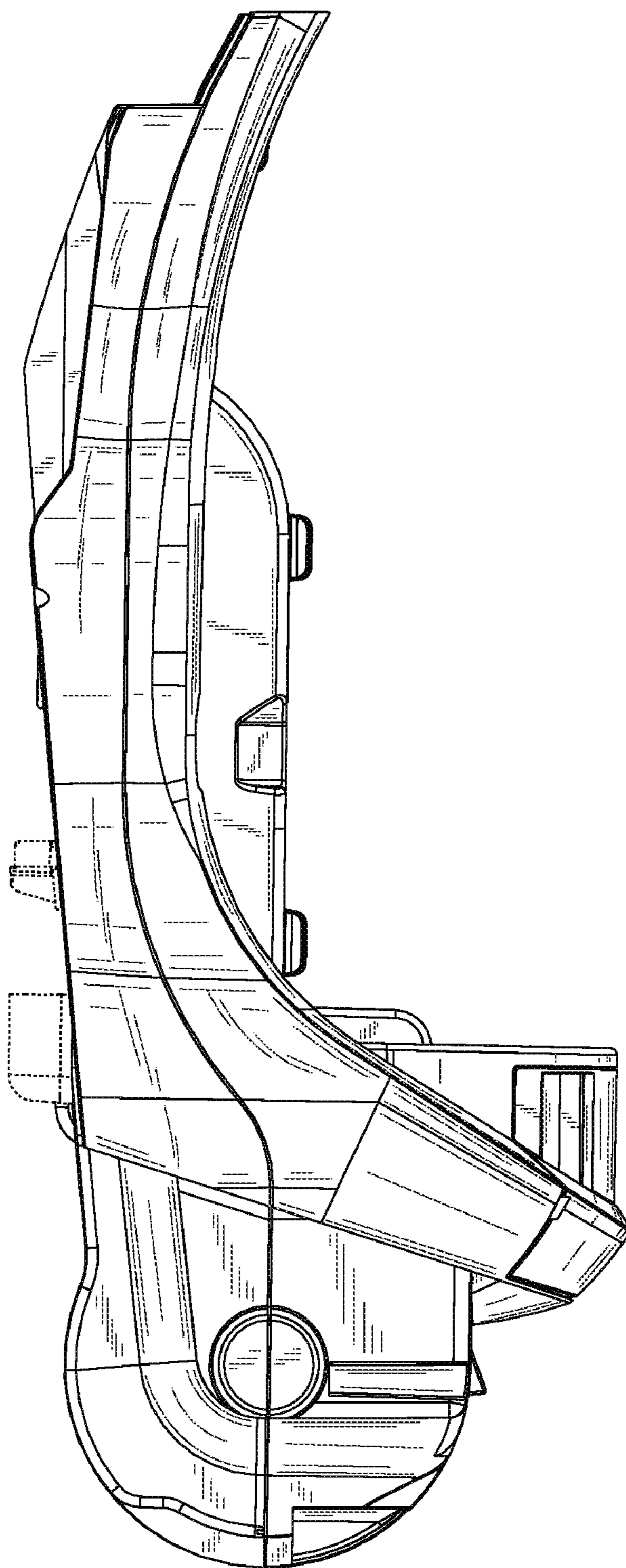


Fig. 5

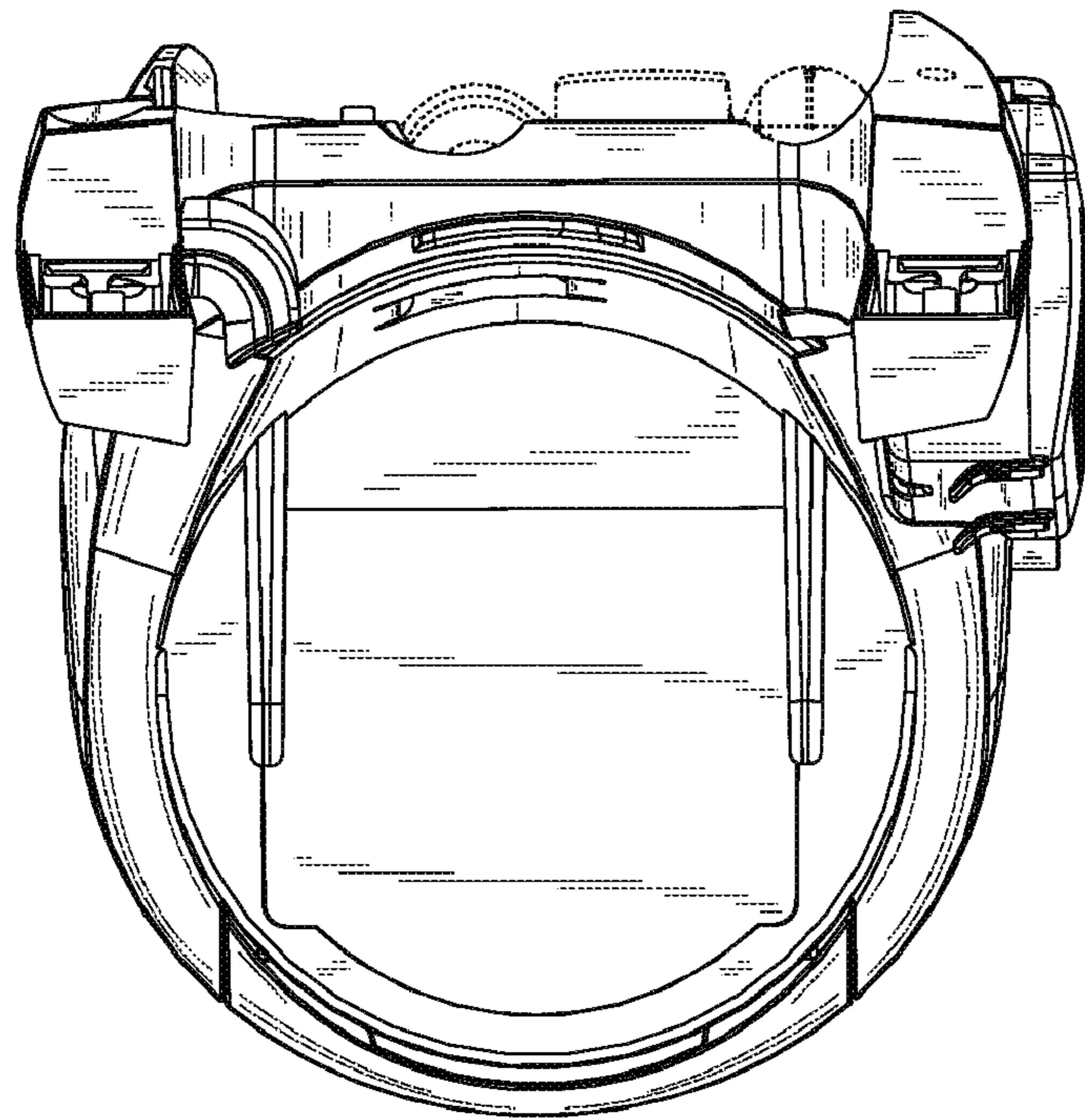


Fig. 6

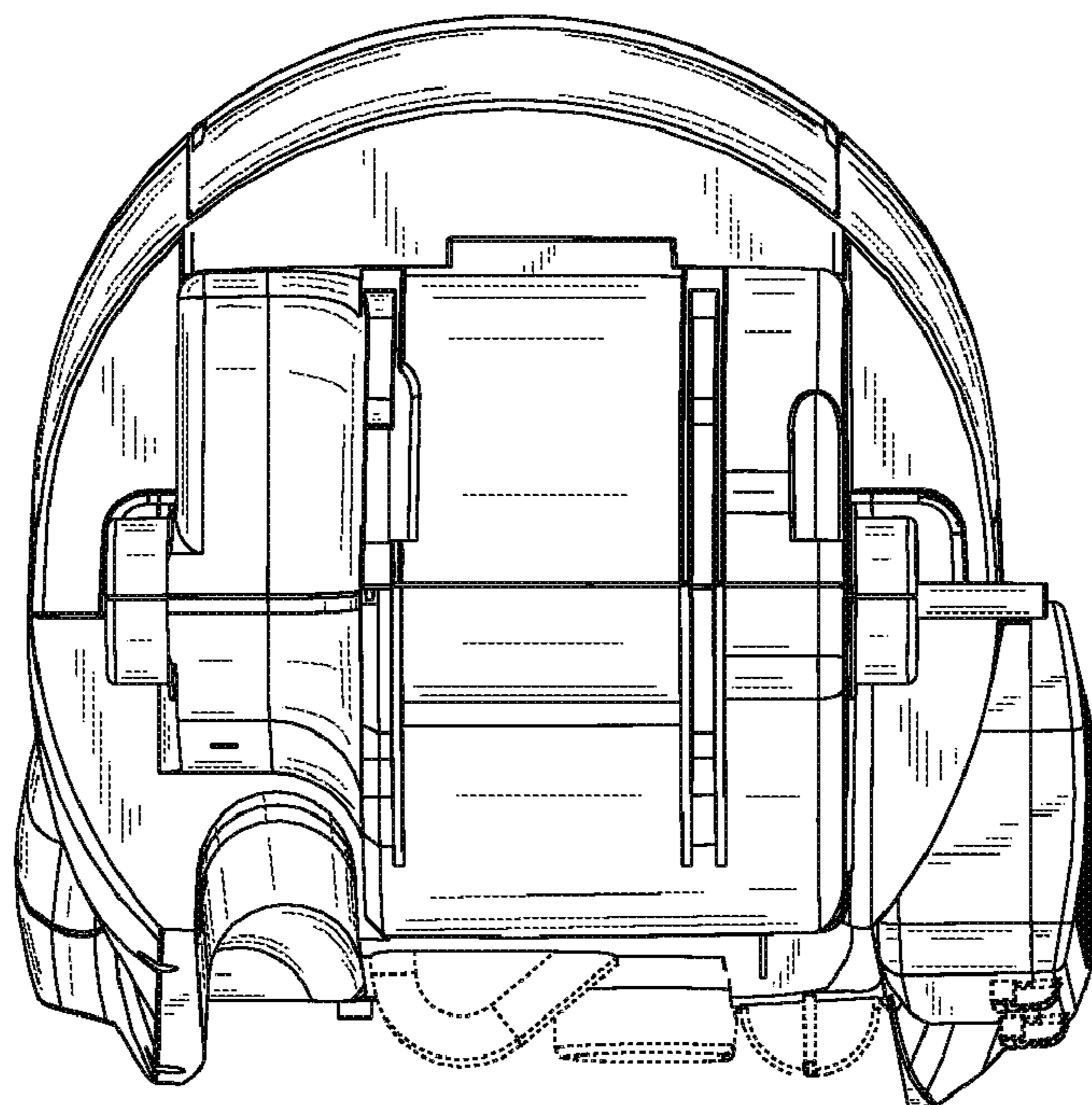


Fig. 7