



US00D558410S

(12) **United States Design Patent**
Hill et al.

(10) **Patent No.:** **US D558,410 S**

(45) **Date of Patent:** **** Dec. 25, 2007**

(54) **WET AND DRY VACUUM CLEANER APPLIANCE**

(75) Inventors: **Jason Hill**, University, MO (US); **Kiyo Hoshino**, Chesterfield, MO (US); **Robert Hollis**, St. Peters, MO (US); **Michael Topham**, Mission, TX (US)

(73) Assignee: **Emerson Electric Co.**, St. Louis, MO (US)

(**) Term: **14 Years**

(21) Appl. No.: **29/253,721**

(22) Filed: **Feb. 9, 2006**

(51) **LOC (8) Cl.** **15-05**

(52) **U.S. Cl.** **D32/21**

(58) **Field of Classification Search** D32/21, D32/23-24, 31; 15/301, 320-321, 323, 327.1-327.4, 15/327.6-327.7, 329, 347, 352-353, 412; 55/337, 429, 345; 95/271; 210/512.1, 512.2; D3/272-273, 276, 905

See application file for complete search history.

(56) **References Cited**

U.S. PATENT DOCUMENTS

D280,034 S *	8/1985	Pudwill	D32/24
4,845,793 A	7/1989	Meyer		
D302,878 S *	8/1989	Kimura et al.	D32/24
4,880,364 A	11/1989	Berfield et al.		
D318,155 S *	7/1991	Goodrich	D32/24
D352,146 S *	11/1994	Wulff	D32/24
5,996,170 A	12/1999	Gierer et al.		
D429,857 S	8/2000	Griffin		
6,219,880 B1	4/2001	Worden et al.		
D443,739 S	6/2001	Young et al.		
D446,892 S	8/2001	Griffin		
D447,292 S	8/2001	Griffin		
D447,293 S	8/2001	Griffin		
D447,609 S	9/2001	Hult et al.		
D447,842 S	9/2001	Griffin		

D447,843 S	9/2001	Griffin
D452,052 S	12/2001	Griffin
6,347,429 B1	2/2002	Hult et al.
D454,672 S	3/2002	Griffin
D466,659 S	12/2002	Griffin
D469,934 S	2/2003	Fry et al.
D470,279 S	2/2003	Griffin et al.
D470,280 S	2/2003	Griffin et al.
D470,281 S	2/2003	Griffin et al.
6,530,116 B2	3/2003	Berfield et al.

(Continued)

OTHER PUBLICATIONS

Wet and Dry Vacuum Cleaners, Catalog Results [online], downloaded from internet on May 30, 2007, 5 pages, www.householdappliances.kelkoo.co.uk.

Wet and Dry Vacuum Cleaners, Catalog Results [online], downloaded from internet on May 30, 2007, 39 pages, www.nextag.com.

Primary Examiner—Ruth McInroy

(74) *Attorney, Agent, or Firm*—Locke Liddell & Sapp PLLC

(57) **CLAIM**

The ornamental design for a wet and dry vacuum cleaner appliance, as shown and described.

DESCRIPTION

FIG. 1 is a perspective view of a wet and dry vacuum cleaner appliance showing our new design;

FIG. 2 is a front view thereof;

FIG. 3 is a rear view thereof;

FIG. 4 is a side view thereof;

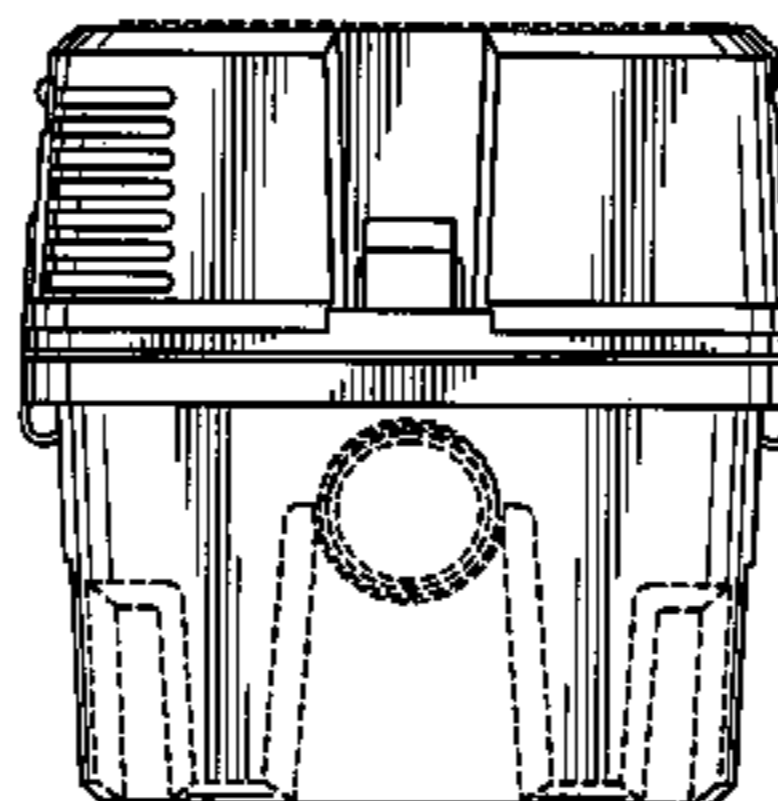
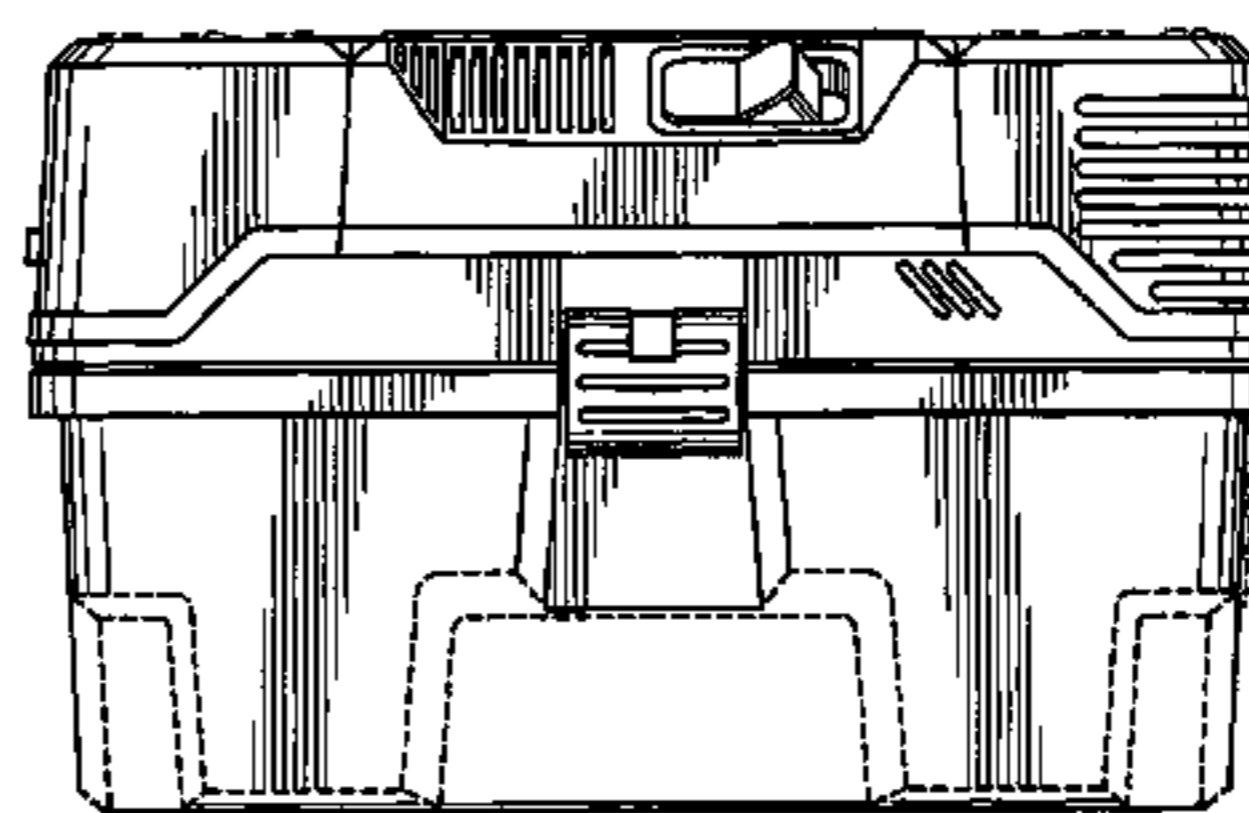
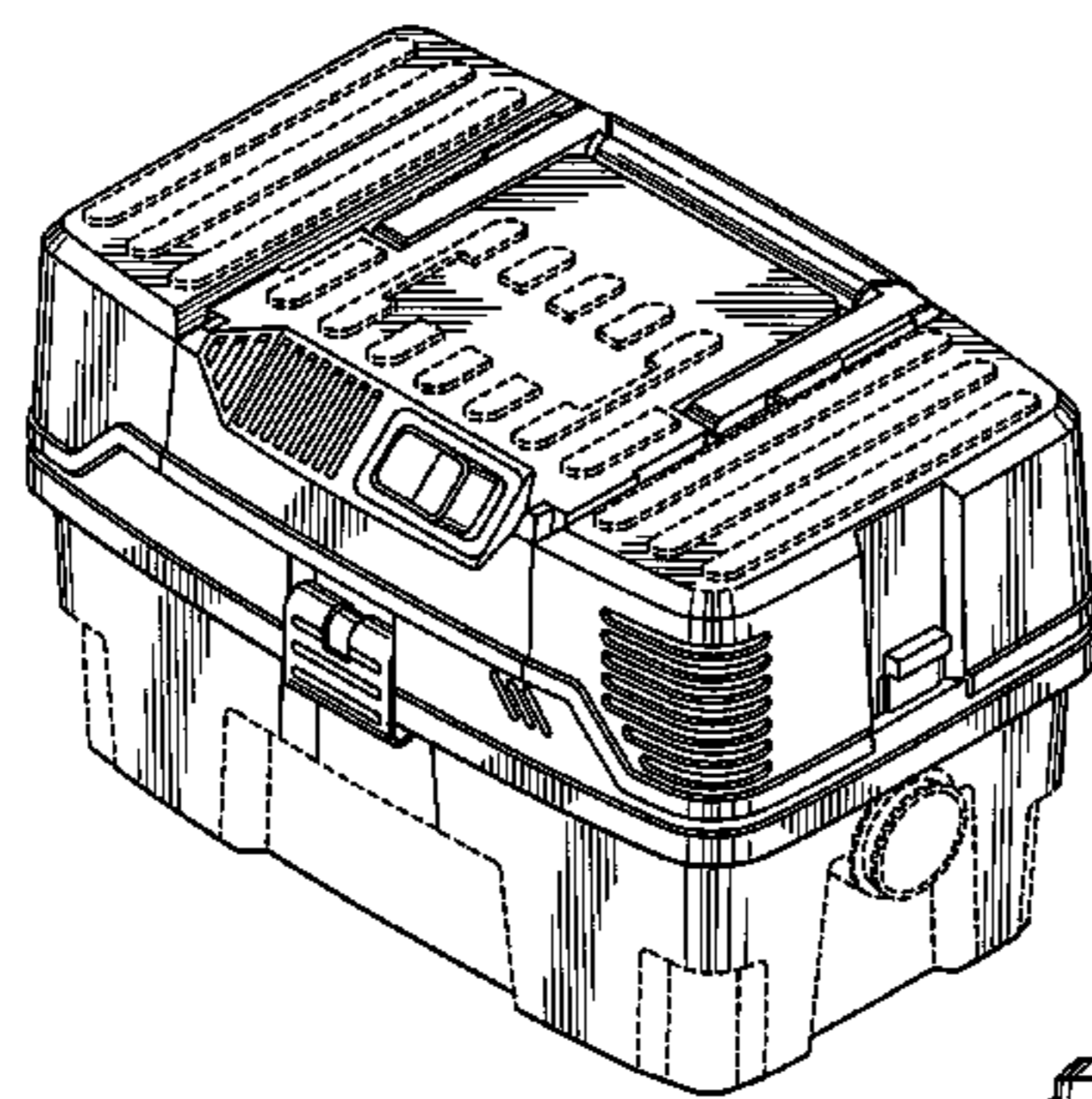
FIG. 5 is a side view opposite FIG. 4;

FIG. 6 is a top view thereof; and,

FIG. 7 is a bottom view thereof.

The broken lines of FIGS. 1-7 are for illustrative purposes only and form no part of the claimed design.

1 Claim, 4 Drawing Sheets



US D558,410 S

Page 2

U.S. PATENT DOCUMENTS

D479,371 S	9/2003	Griffin et al.	D492,823 S	7/2004	Hoshino et al.	
D479,372 S	9/2003	Griffin	D492,824 S	7/2004	Tomasiak et al.	
6,640,384 B2	11/2003	Sanders et al.	D493,034 S *	7/2004	Bar-Erez	D3/295
D486,280 S	2/2004	Holsten et al.	D505,011 S *	5/2005	Einav	D3/274

* cited by examiner

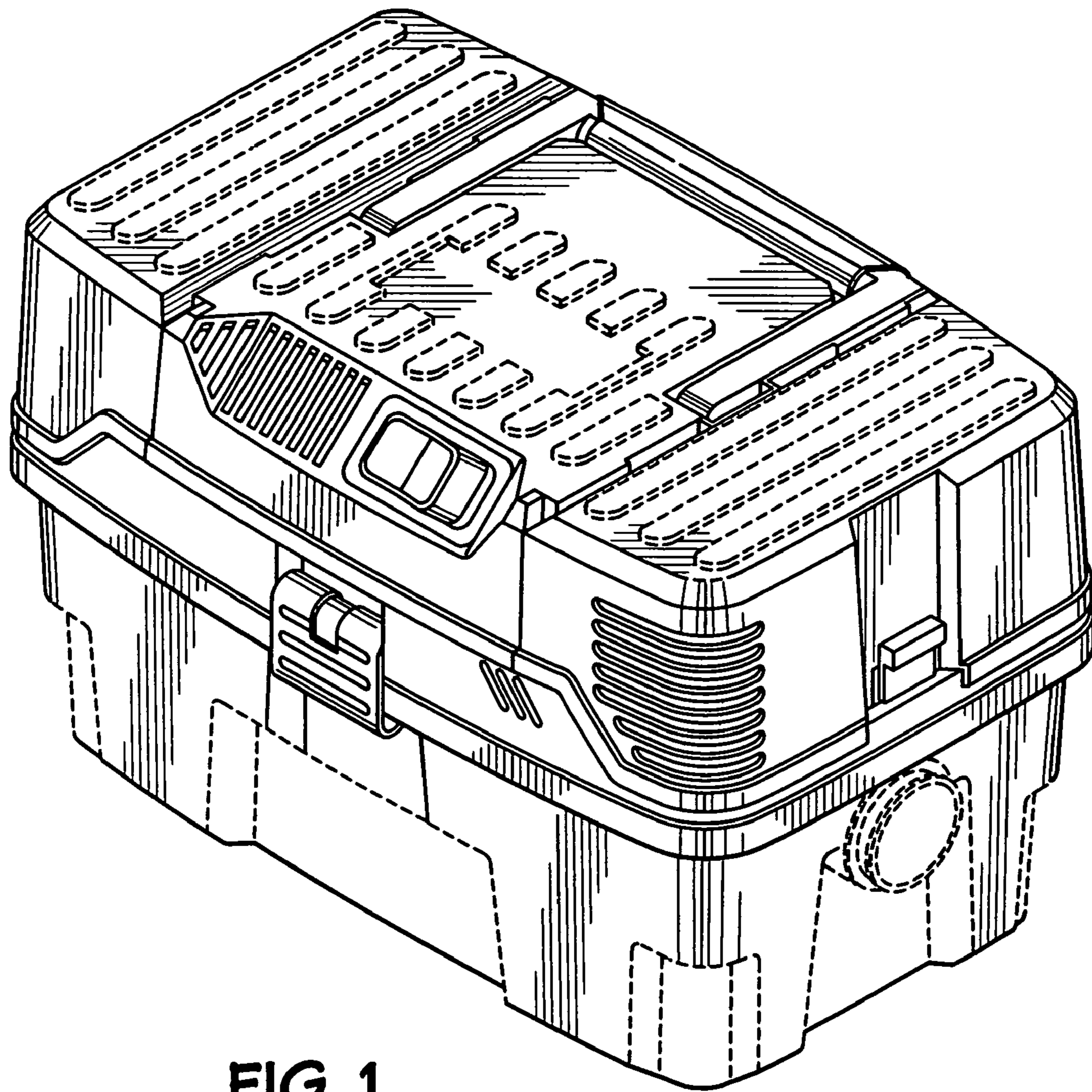


FIG. 1

FIG. 2

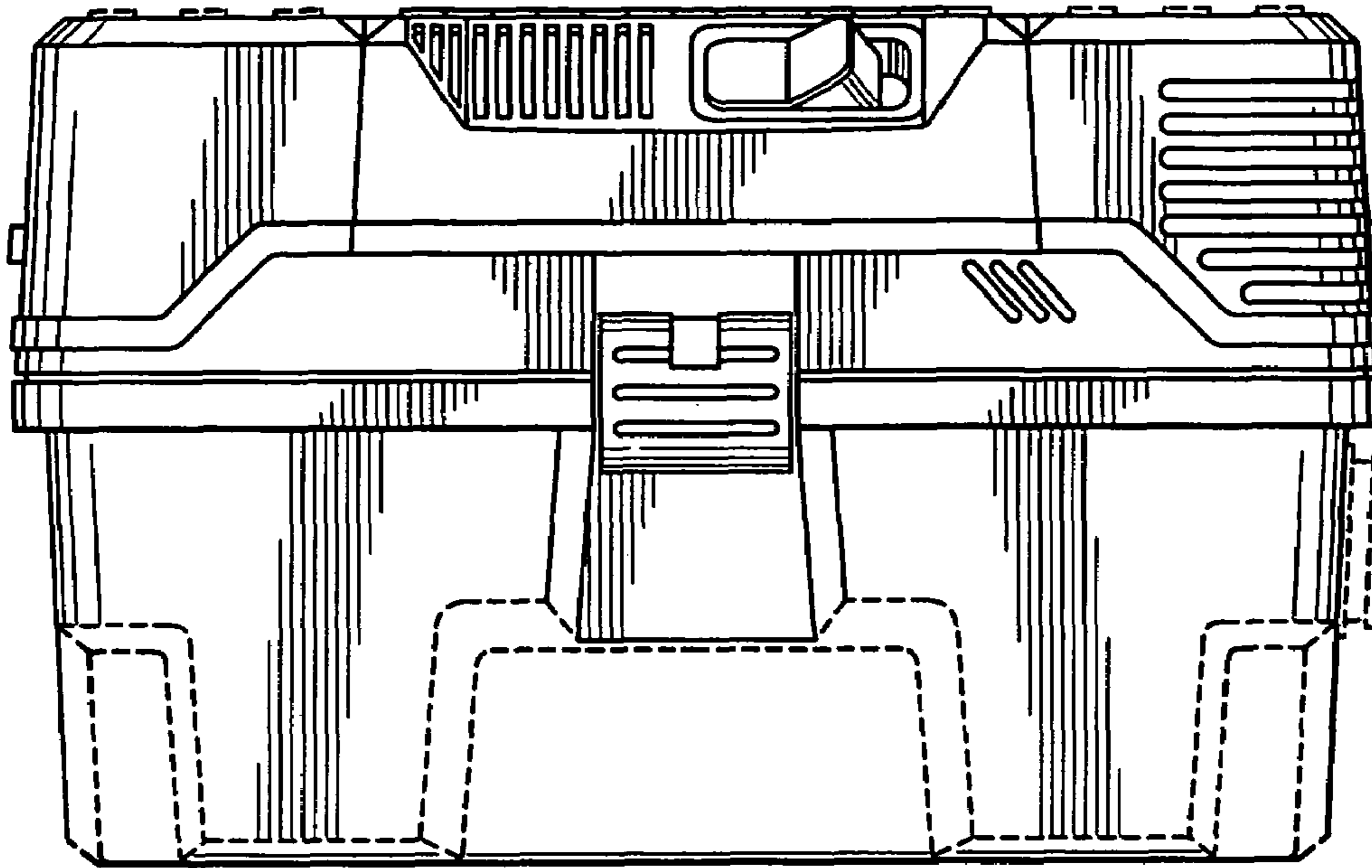


FIG. 3

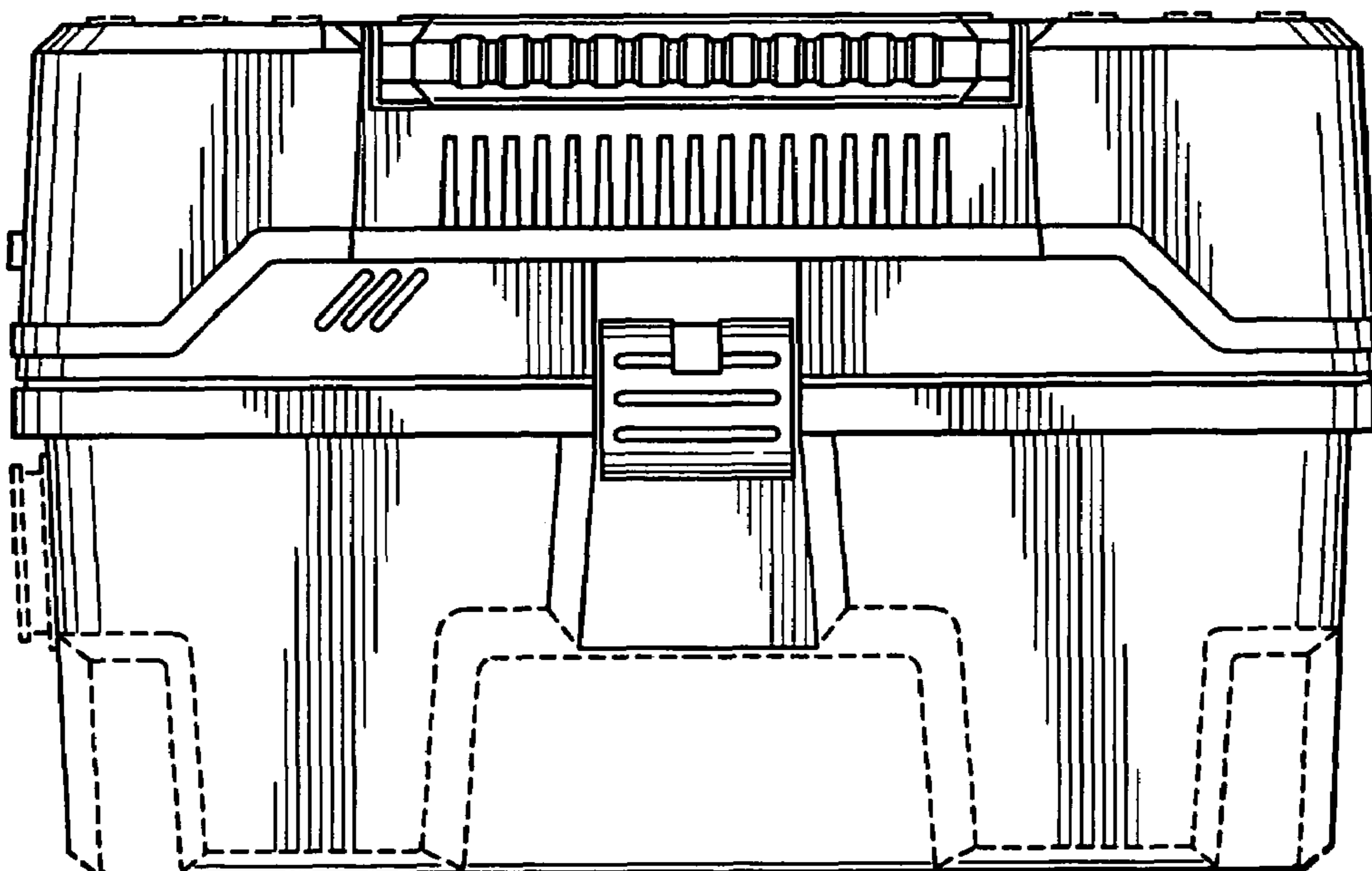


FIG. 4

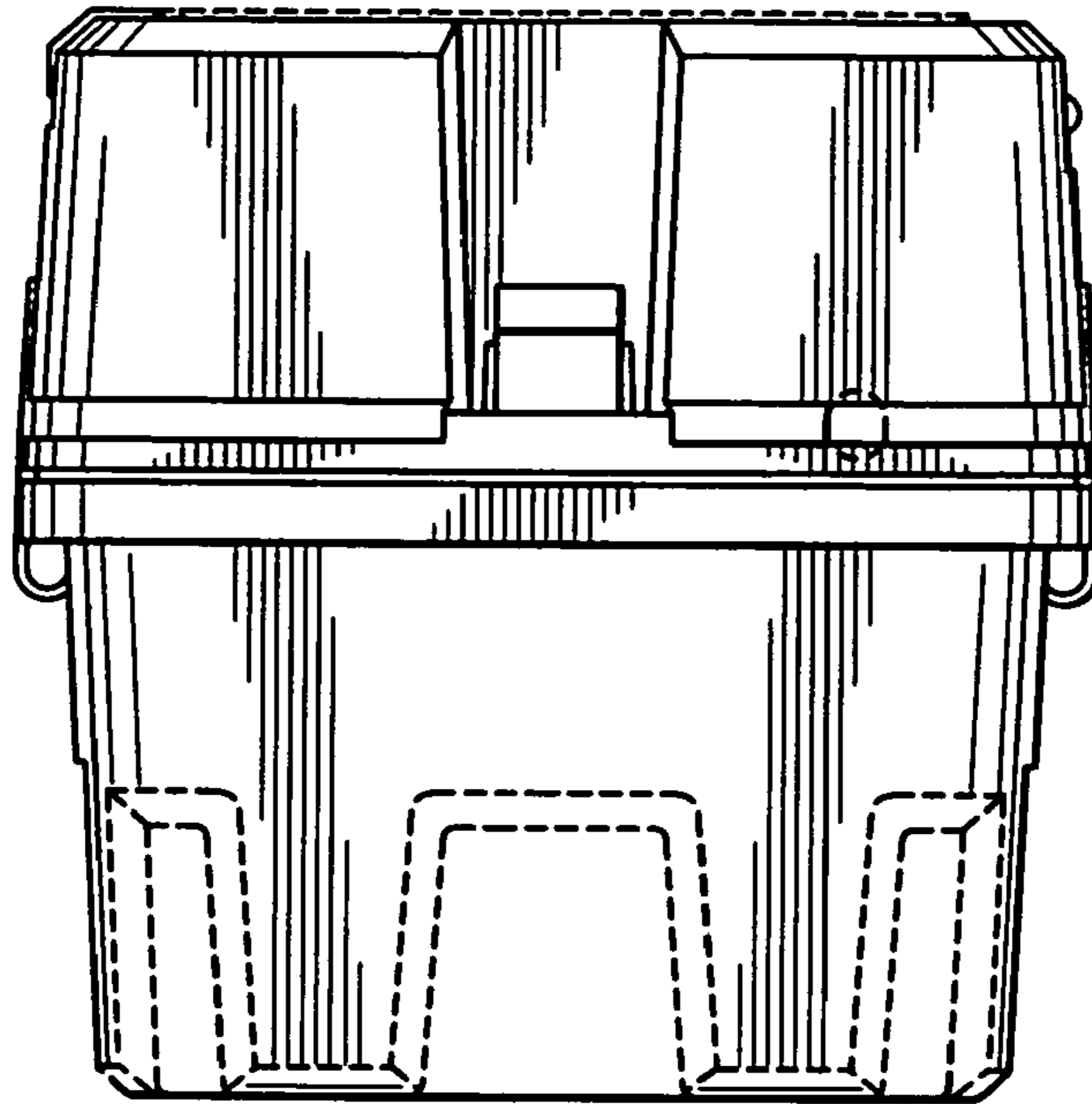


FIG. 5

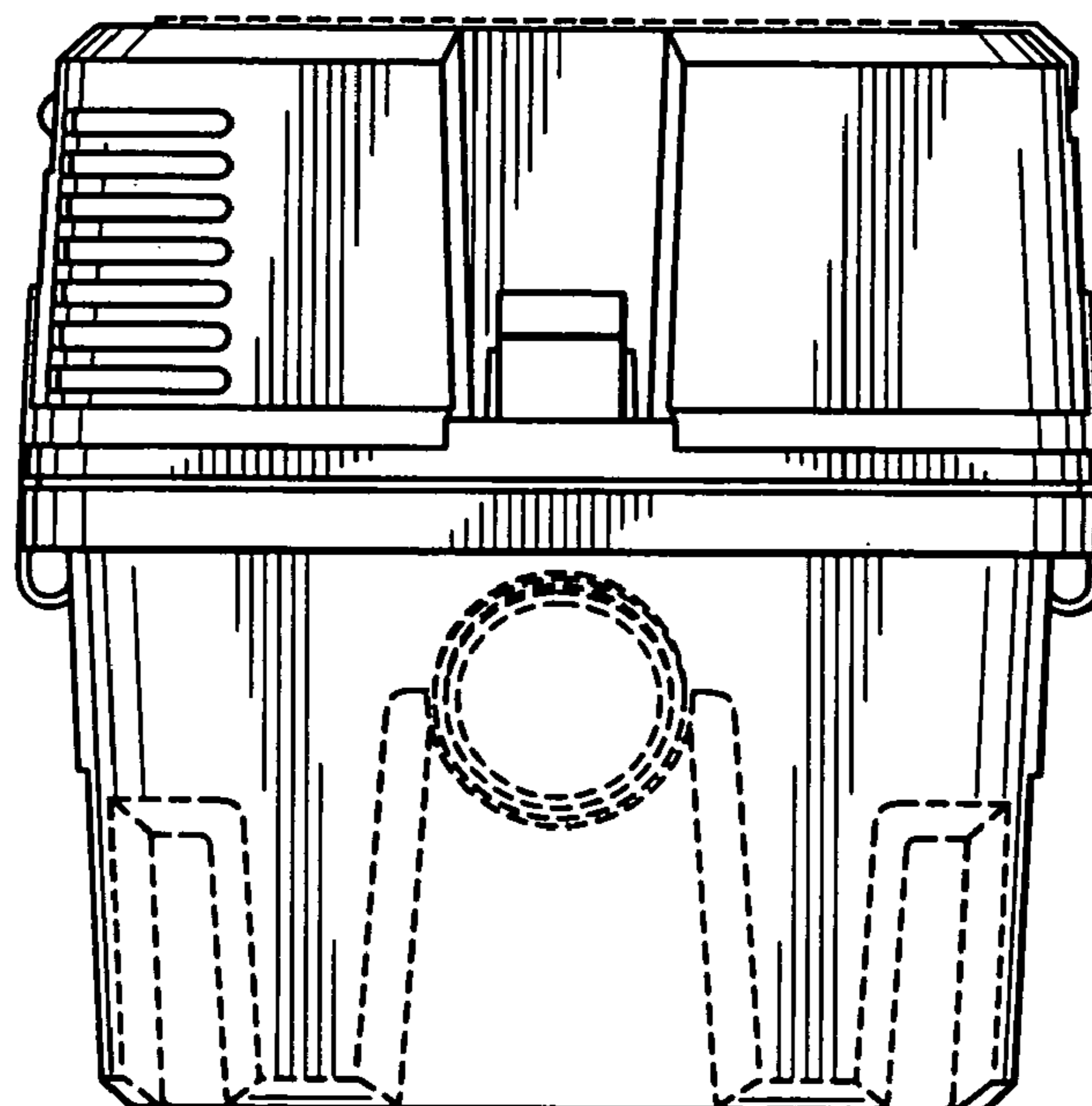


FIG. 6

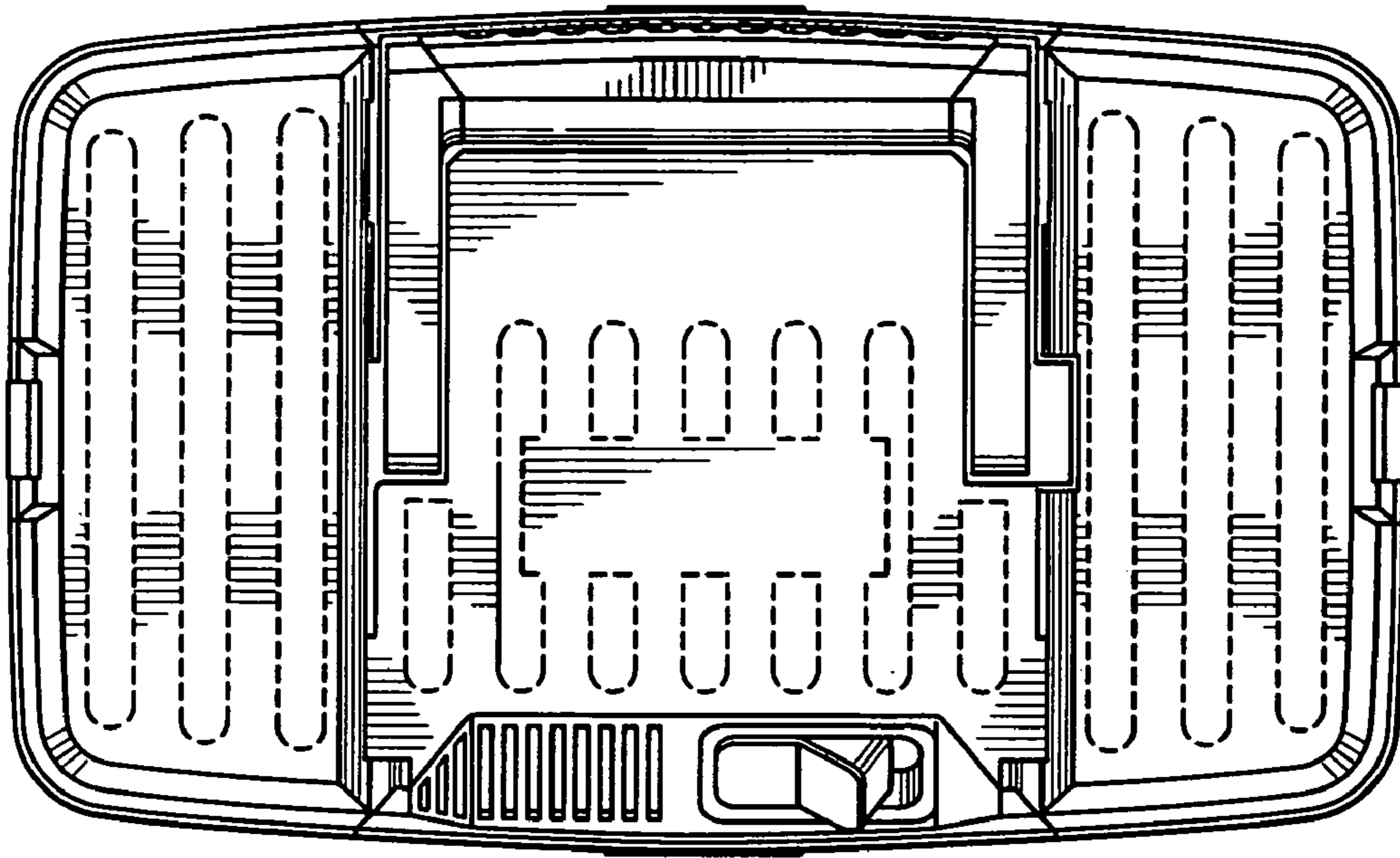


FIG. 7

