



US00D558406S

(12) **United States Design Patent** (10) **Patent No.:** **US D558,406 S**
King (45) **Date of Patent:** **** Dec. 25, 2007**

(54) **PET CARRIER**

(76) Inventor: **Lise King**, 10 Farm View Rd., Port Washington, NY (US) 11050

(**) Term: **14 Years**

(21) Appl. No.: **29/246,205**

(22) Filed: **Mar. 21, 2006**

(51) **LOC (8) Cl.** **30-02**

(52) **U.S. Cl.** **D30/109**

(58) **Field of Classification Search** D30/108-119, D30/161; 119/161, 163-170, 417-419, 421, 119/452-453, 459, 470, 472-474, 482, 484, 119/491, 496-499, 502, 522, 671, 702-703, 119/706, 755, 28.5; D3/213-214, 232-233, D3/272-273, 289

See application file for complete search history.

(56) **References Cited**

U.S. PATENT DOCUMENTS

4,282,829	A *	8/1981	Tweed	119/452
4,869,206	A *	9/1989	Spina	119/417
5,230,304	A *	7/1993	Santoro	119/497
5,277,148	A *	1/1994	Rossignol et al.	119/453
5,445,302	A *	8/1995	Holtorf	119/497
5,671,698	A *	9/1997	Farrugia	119/497
D398,082	S *	9/1998	Martz	D30/109
D398,083	S *	9/1998	Martz	D30/109
5,845,432	A *	12/1998	Tully et al.	119/452
D424,248	S *	5/2000	Sommers	D30/109

6,076,485	A *	6/2000	Peeples et al.	119/497
6,082,302	A *	7/2000	Thaler et al.	119/161
D444,271	S *	6/2001	Farrugia	D30/109
D445,966	S *	7/2001	Licciardello	D30/109
D446,936	S *	8/2001	Sanderson et al.	D3/289
6,345,591	B1 *	2/2002	Richmond	119/497
6,701,871	B1 *	3/2004	Johnson	119/497
6,866,009	B2 *	3/2005	Smith et al.	119/840
7,210,426	B2 *	5/2007	Yeung	119/497
2001/0029900	A1 *	10/2001	Weber	119/453
2006/0169218	A1 *	8/2006	Chang	119/496

* cited by examiner

Primary Examiner—Cathy Anne MacCormac
(74) *Attorney, Agent, or Firm*—Collard & Roe, P.C.

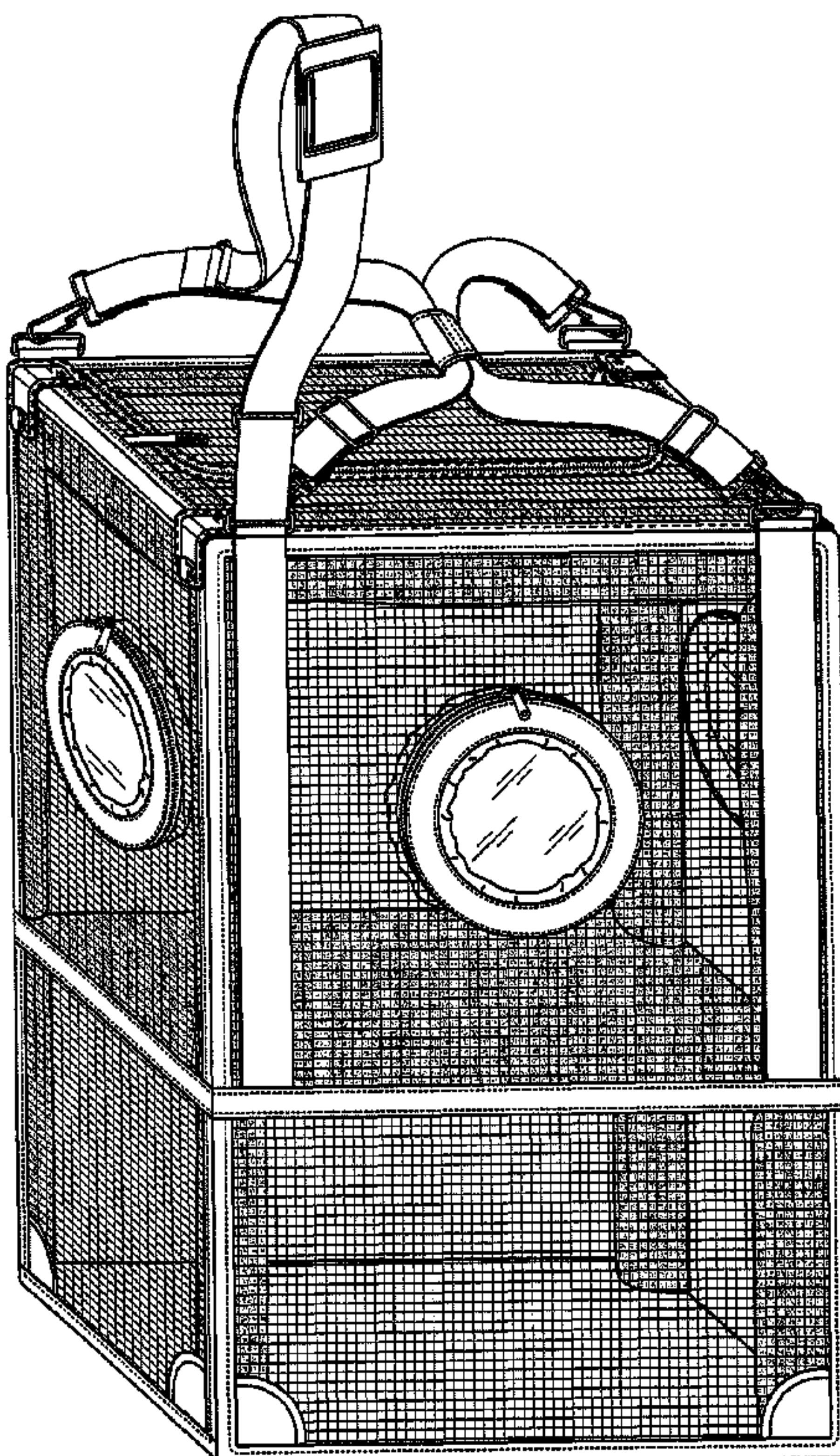
(57) **CLAIM**

The ornamental design for a pet carrier, as shown and described.

DESCRIPTION

FIG. 1 is a front perspective view of a pet carrier;
FIG. 2 is a front view thereof;
FIG. 3 is a rear view thereof;
FIG. 4 is a side view thereof;
FIG. 5 is an opposite side view thereof;
FIG. 6 is a top view thereof; and,
FIG. 7 is a bottom view thereof.

1 Claim, 6 Drawing Sheets



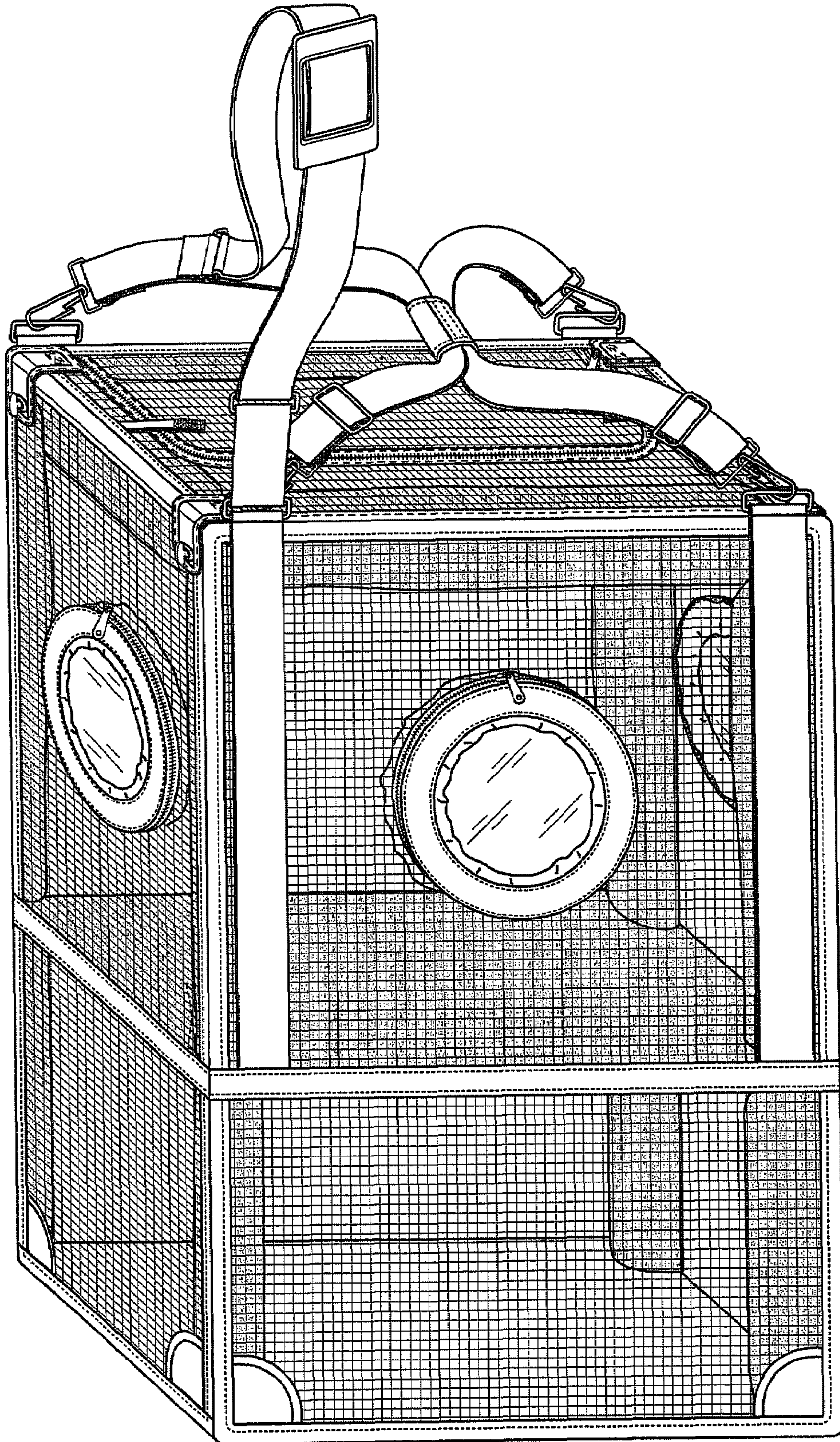


FIG. 1

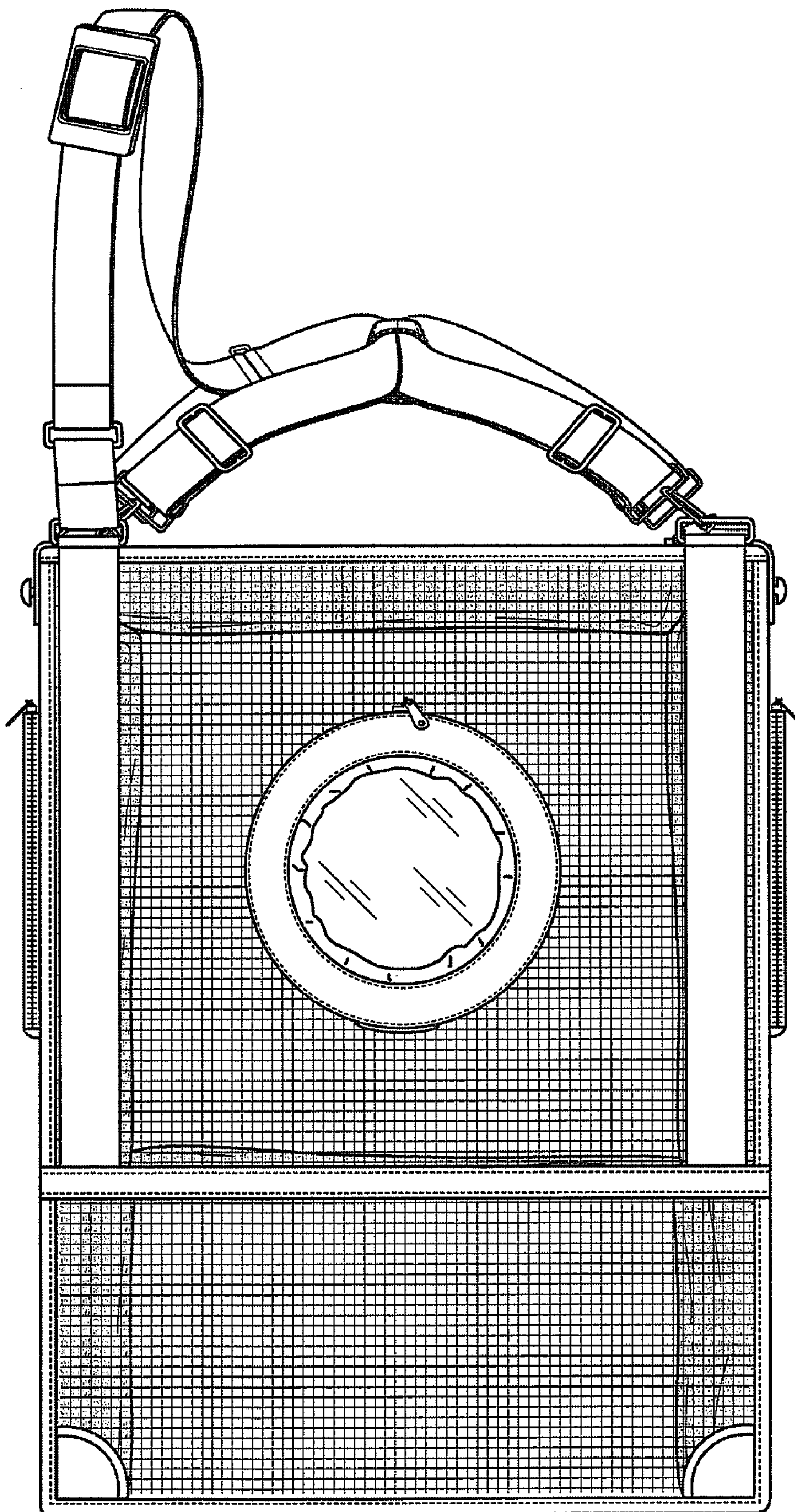


FIG. 2

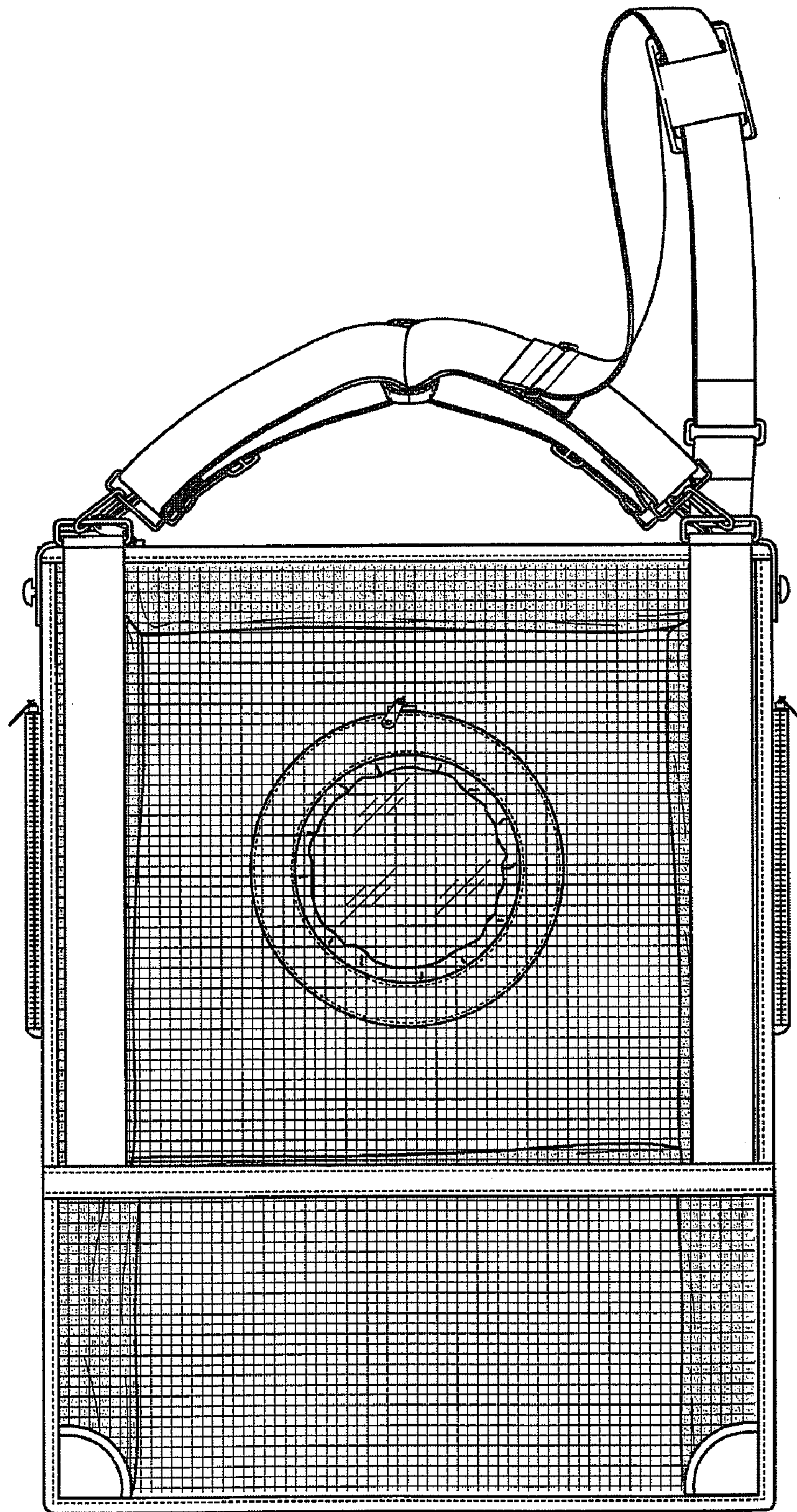


FIG. 3

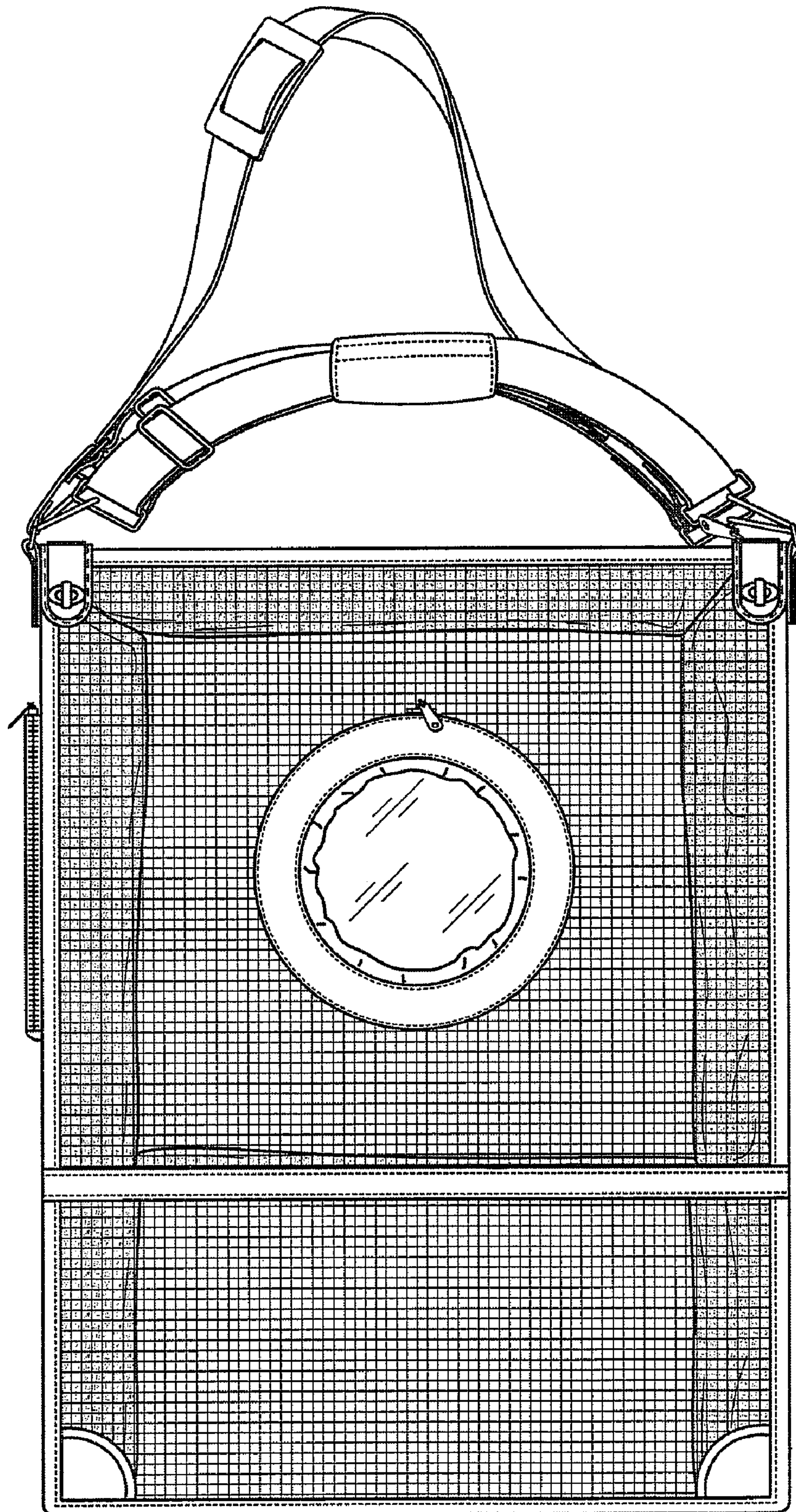


FIG. 4

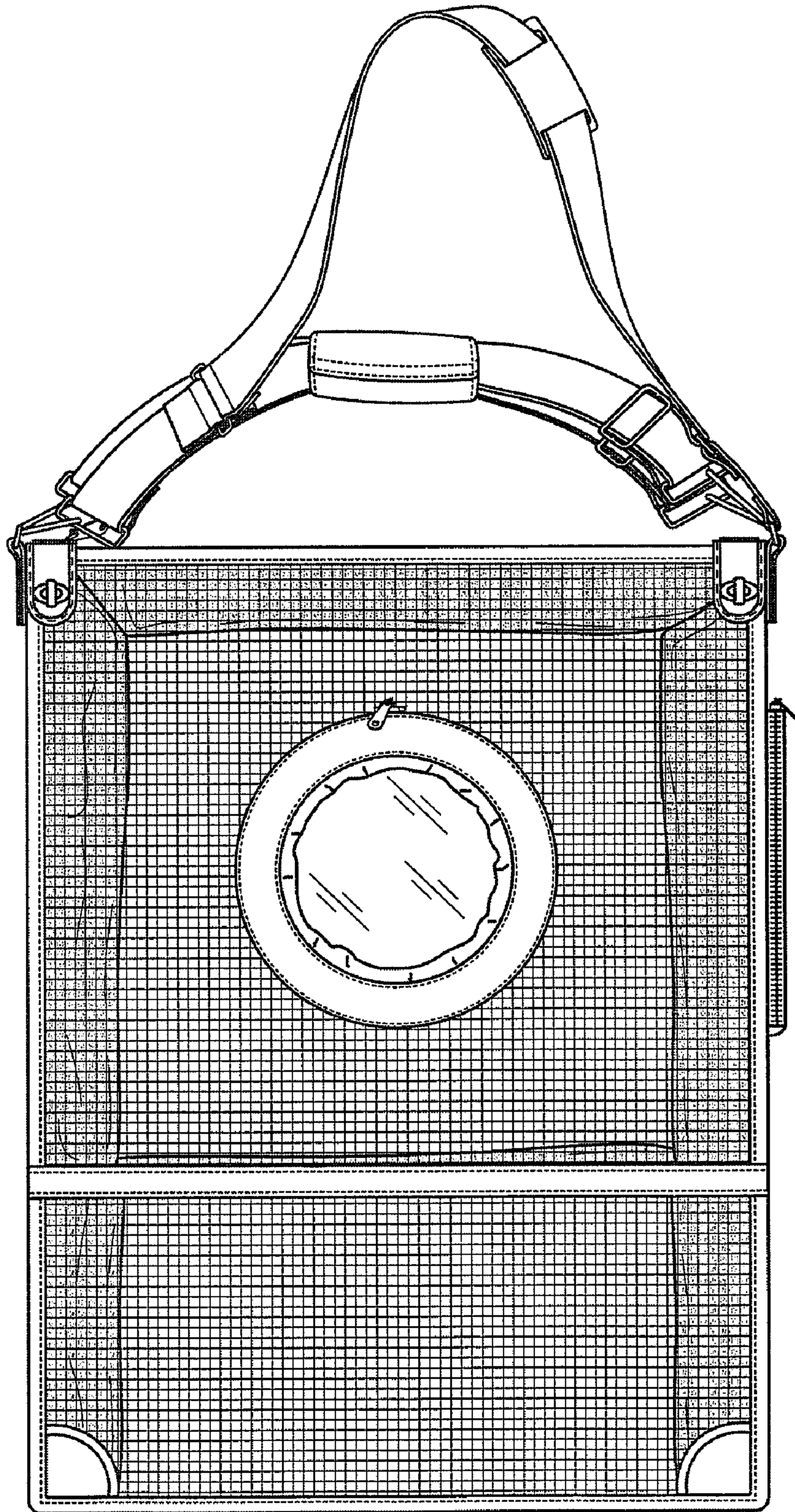


FIG. 5

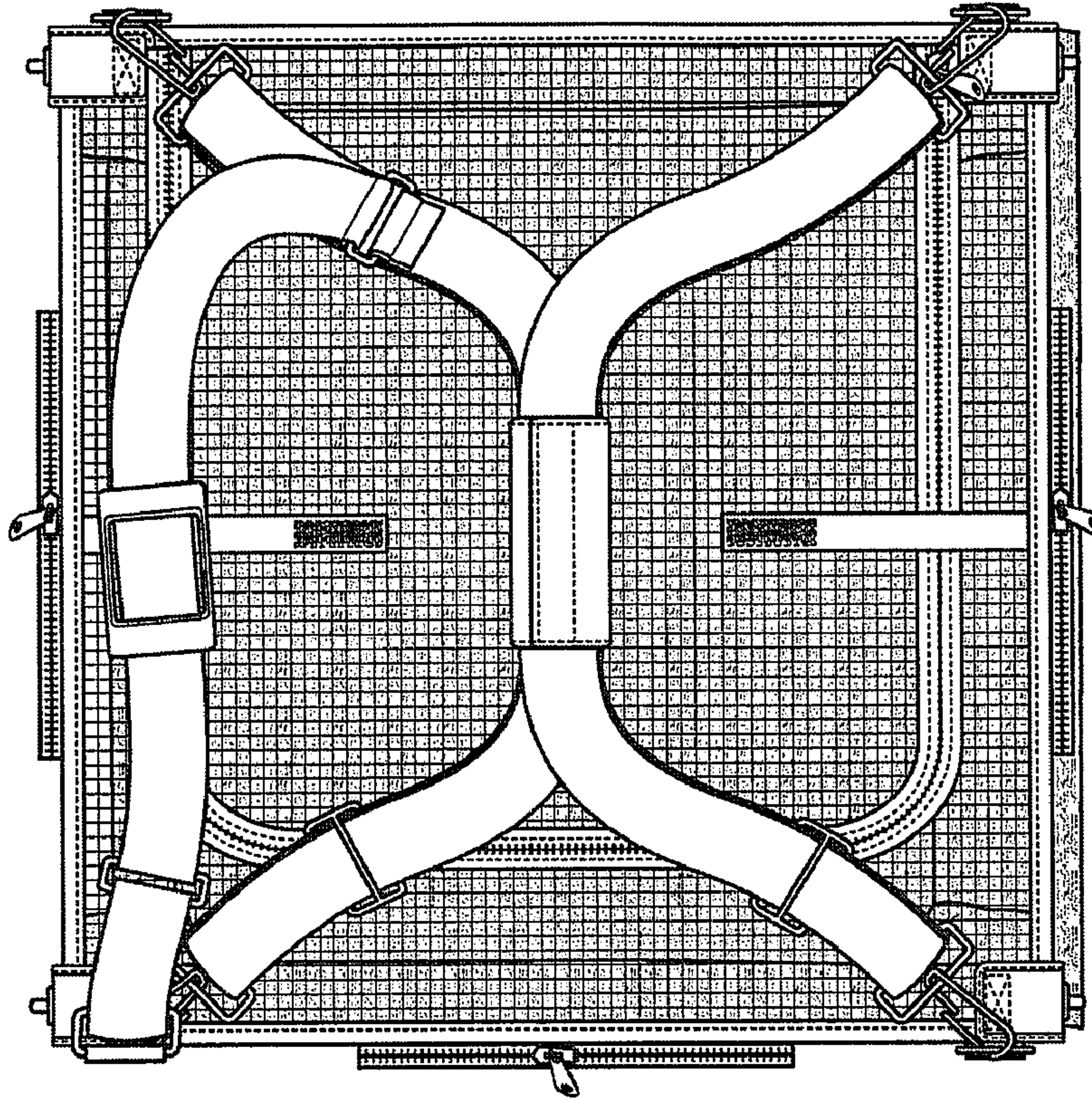


FIG. 6

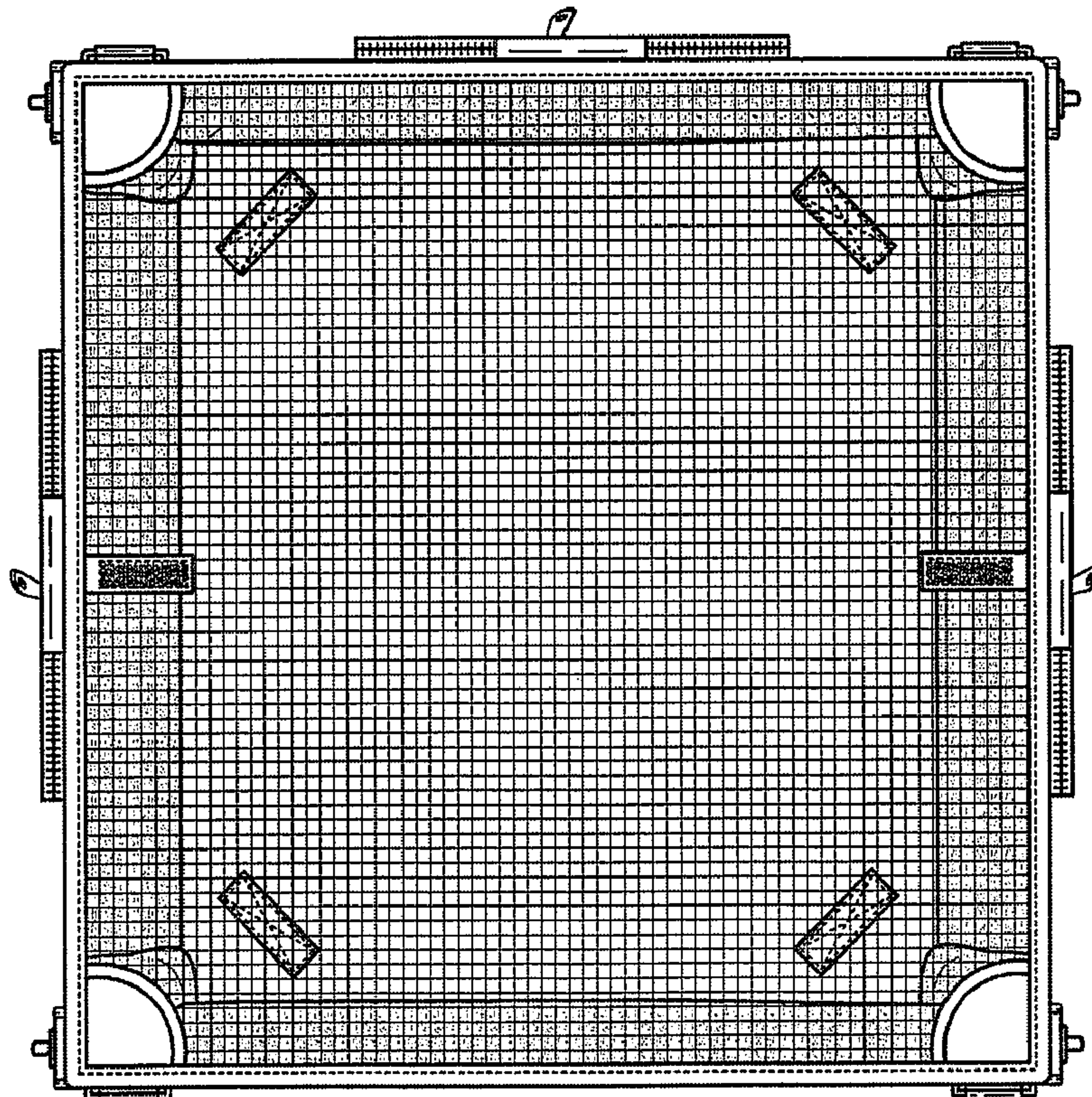


FIG. 7