



US00D558400S

(12) **United States Design Patent**
Micinilio

(10) **Patent No.:** **US D558,400 S**

(45) **Date of Patent:** **** Dec. 25, 2007**

(54) **TRIMMER COMB**

(75) Inventor: **Gregg A. Micinilio**, Trumbull, CT (US)

(73) Assignee: **Eveready Battery Company, Inc.**, St. Louis, MO (US)

(**) Term: **14 Years**

(21) Appl. No.: **29/285,950**

(22) Filed: **Apr. 16, 2007**

(51) **LOC (8) Cl.** **28-03**

(52) **U.S. Cl.** **D28/54**

(58) **Field of Classification Search** 30/200,
30/201, 196, 216, 210, 233, 233.5, 537, 34.05,
30/34.1, 34.2, 43-43.92; D28/44, 49-54
See application file for complete search history.

(56) **References Cited**

U.S. PATENT DOCUMENTS

4,614,036	A *	9/1986	Haraguchi	30/200
5,050,305	A *	9/1991	Baker et al.	30/201
5,054,199	A *	10/1991	Ogawa et al.	30/34.1
5,105,541	A *	4/1992	Messinger et al.	30/34.1
D355,506	S *	2/1995	Rizzuto, Jr.	D28/54
D524,487	S *	7/2006	Seki et al.	D28/54

D530,858	S *	10/2006	Kling	D28/54
2002/0014010	A1 *	2/2002	Beutel et al.	30/32
2003/0233754	A1 *	12/2003	Braun et al.	30/201
2005/0138817	A1 *	6/2005	Yamaguchi et al.	30/233

* cited by examiner

Primary Examiner—Jennifer Rivard

(74) *Attorney, Agent, or Firm*—Michaud-Duffy Group LLP

(57) **CLAIM**

We claim the ornamental design for the trimmer comb, as shown and described.

DESCRIPTION

FIG. 1 is a top isometric view of the trimmer comb.

FIG. 2 is a bottom isometric view of the trimmer comb.

FIG. 3 is a rear view of the trimmer comb.

FIG. 4 is a top view of the trimmer comb.

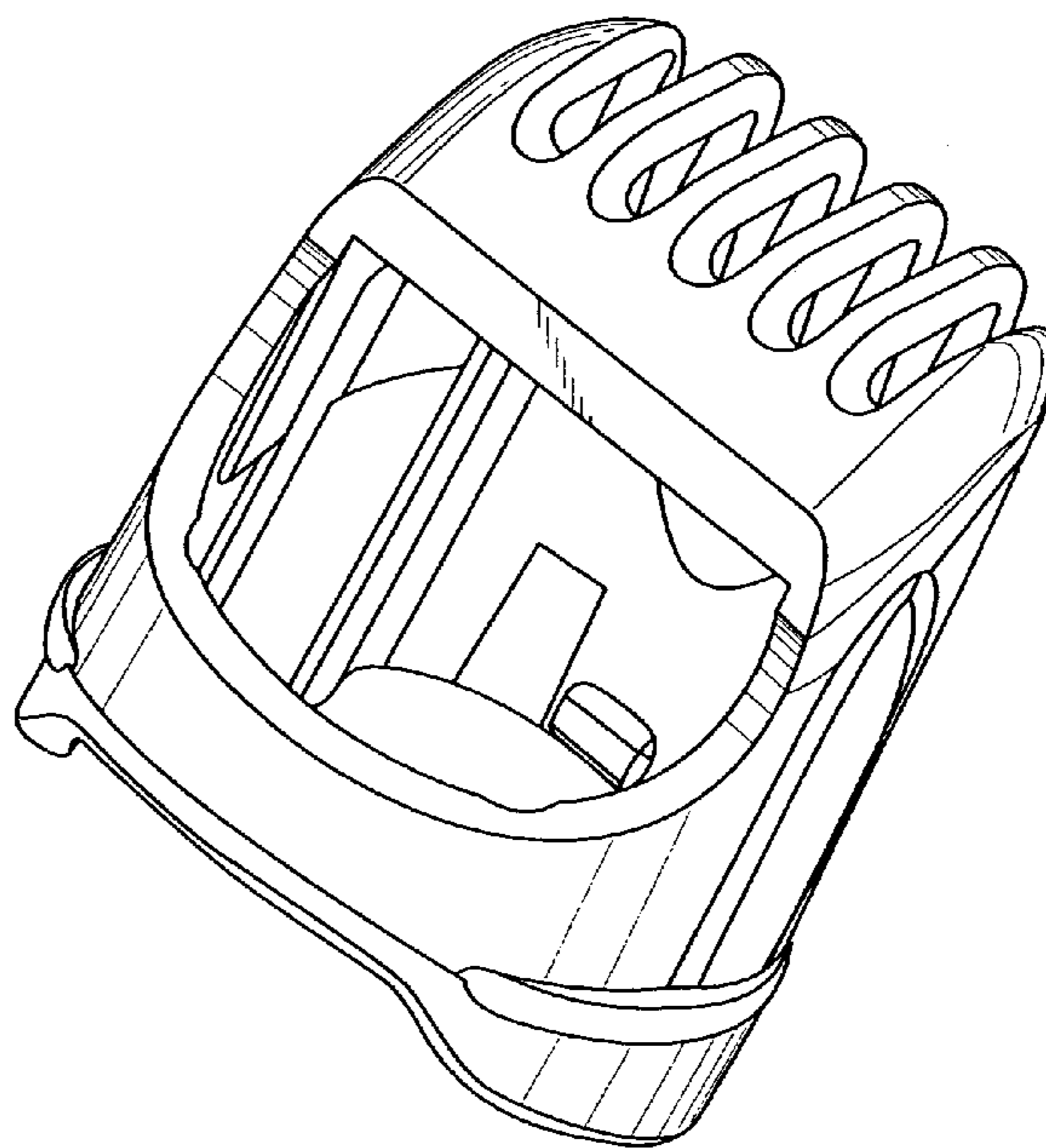
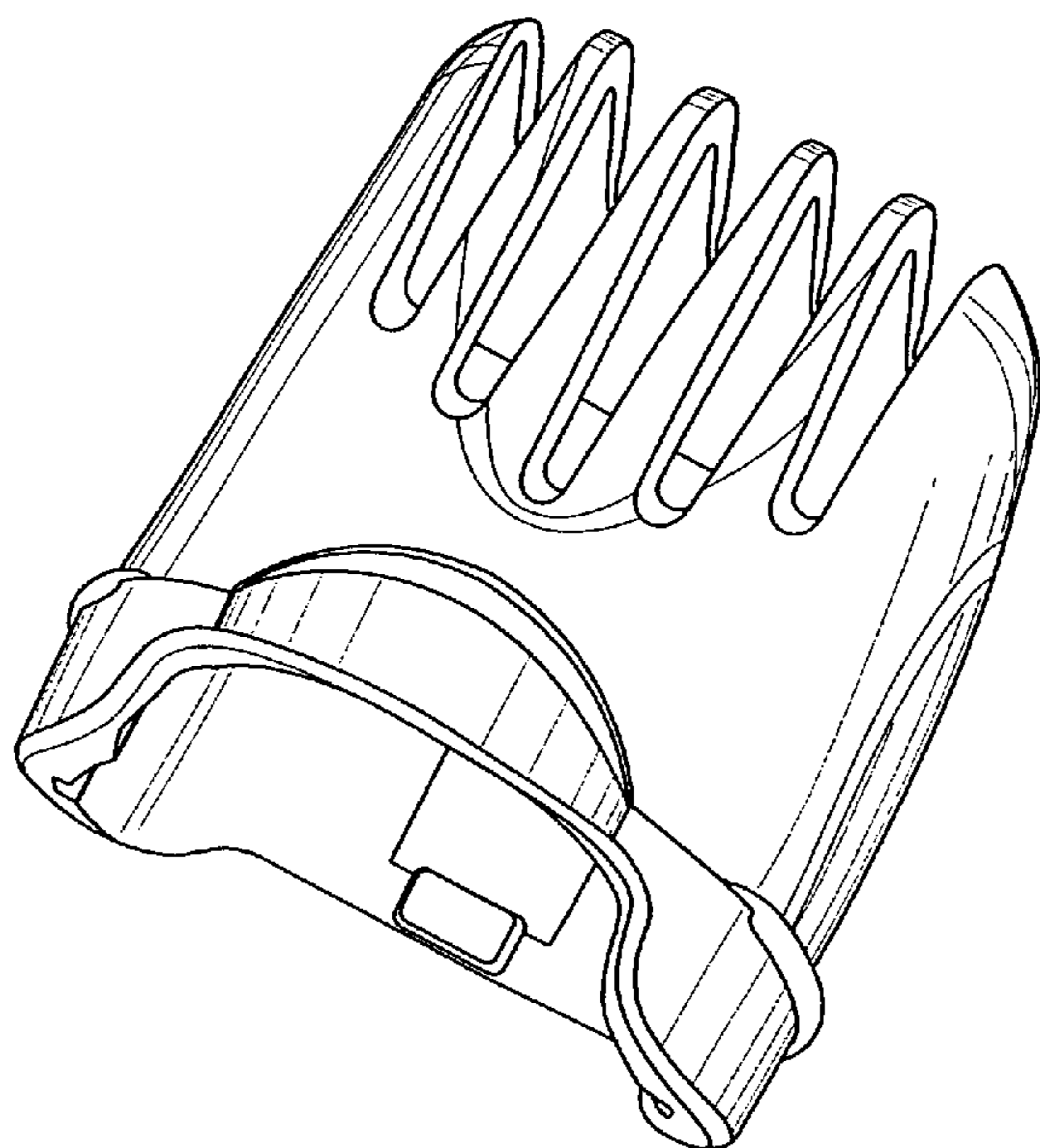
FIG. 5 is a right view of FIG. 4.

FIG. 6 is a left view of FIG. 4.

FIG. 7 is an upper end view of FIG. 4; and,

FIG. 8 is a lower end view of FIG. 4.

1 Claim, 6 Drawing Sheets



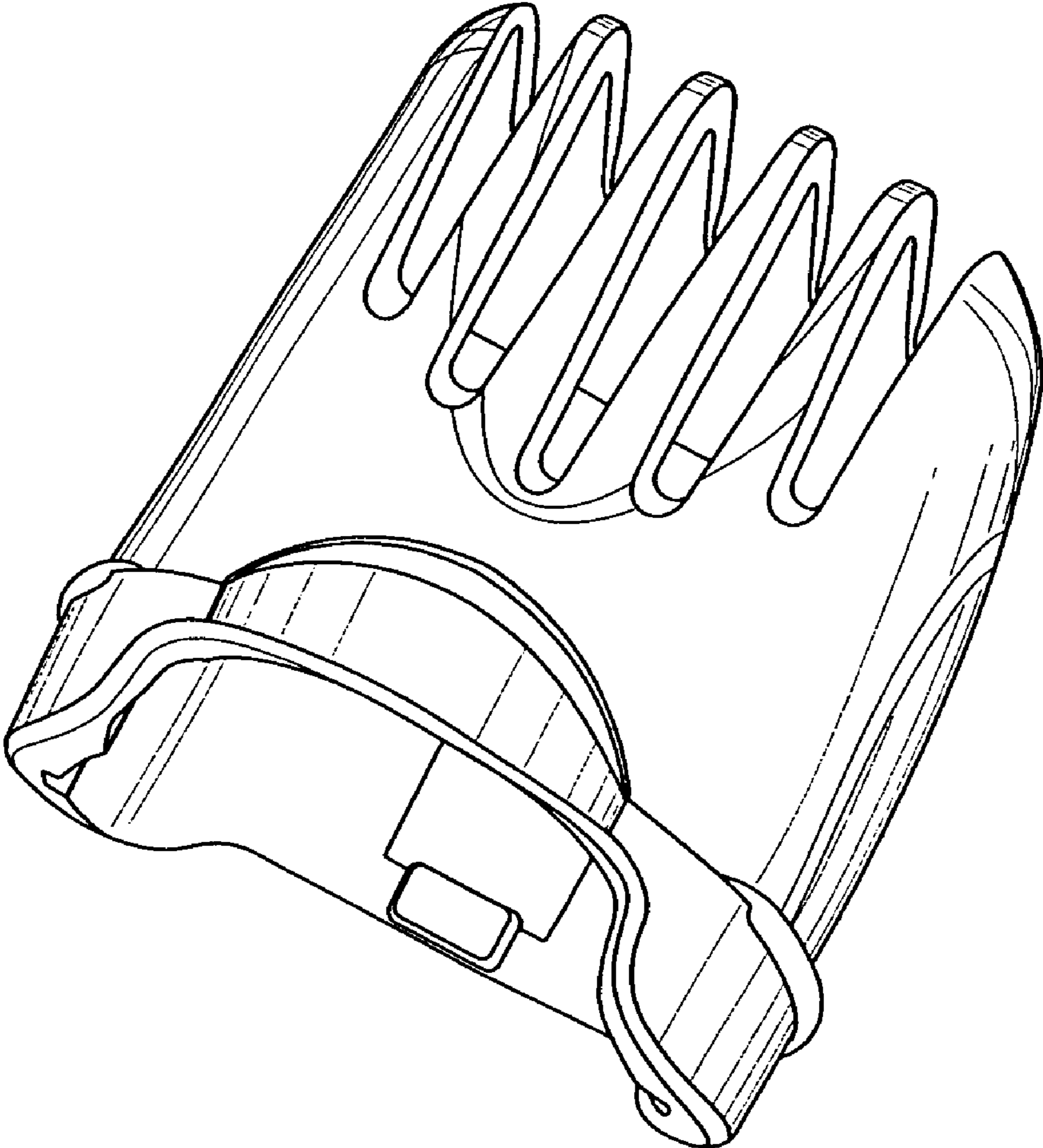


Fig. 1

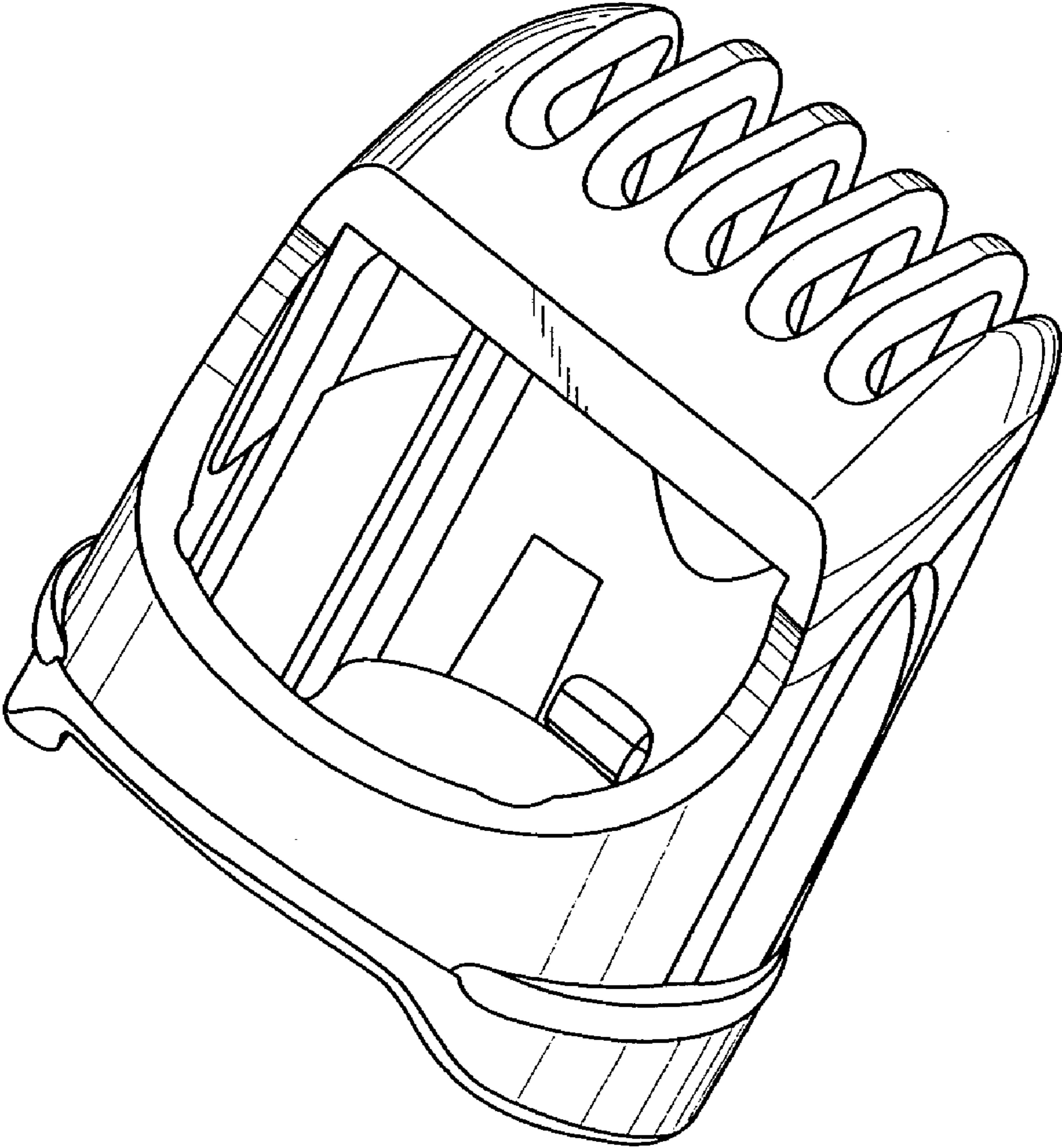


Fig. 2

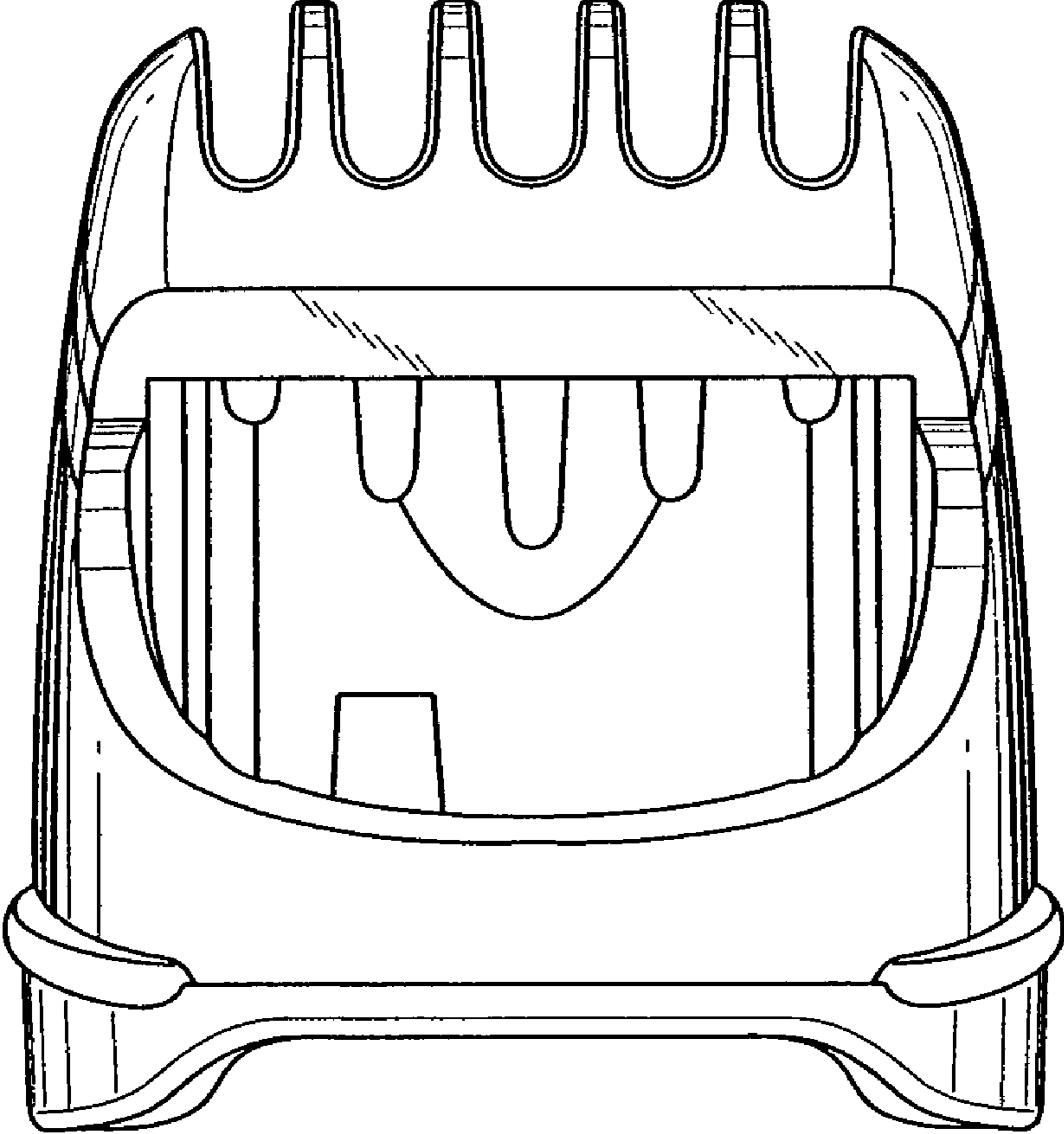


Fig. 3

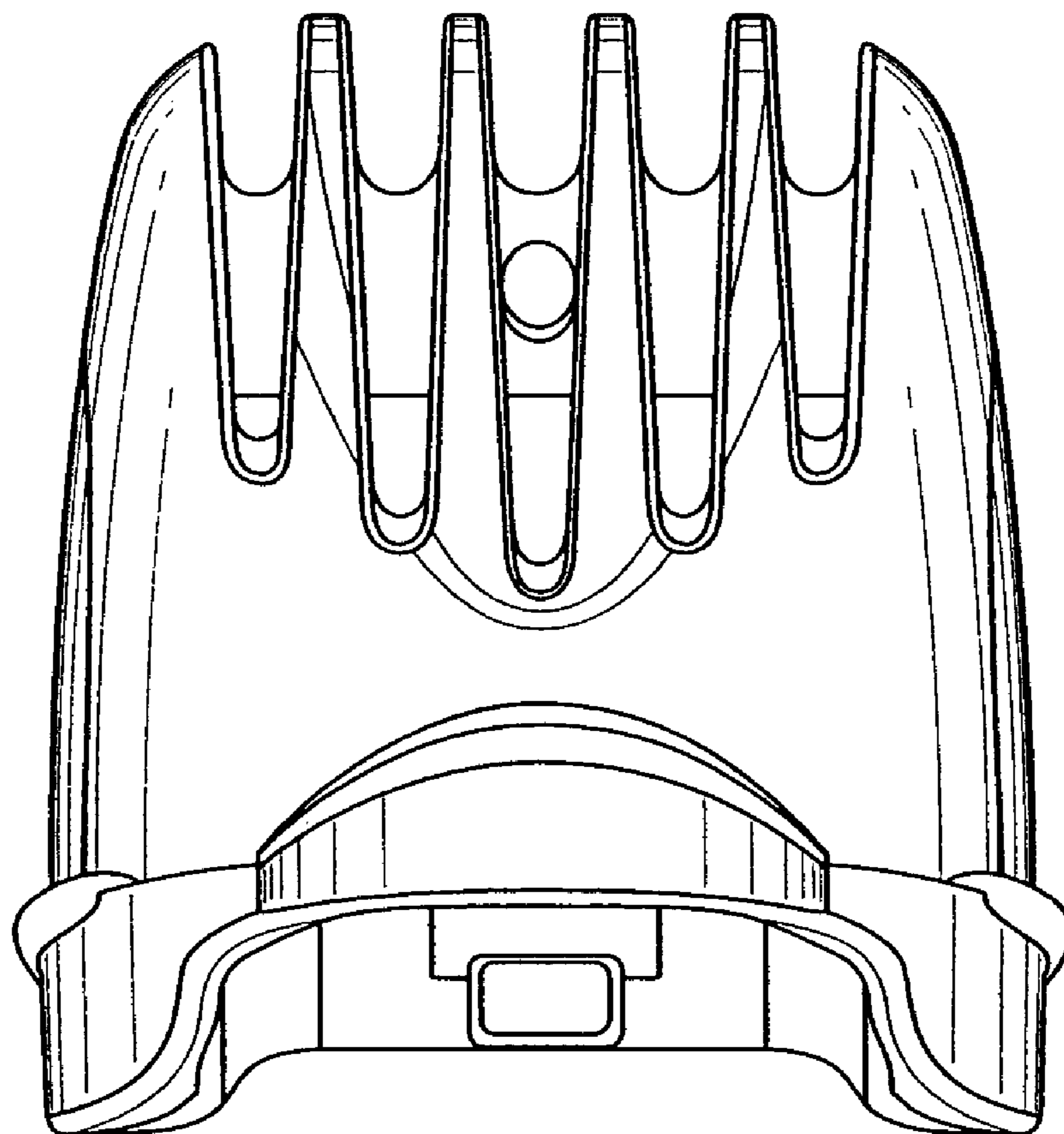


Fig. 4

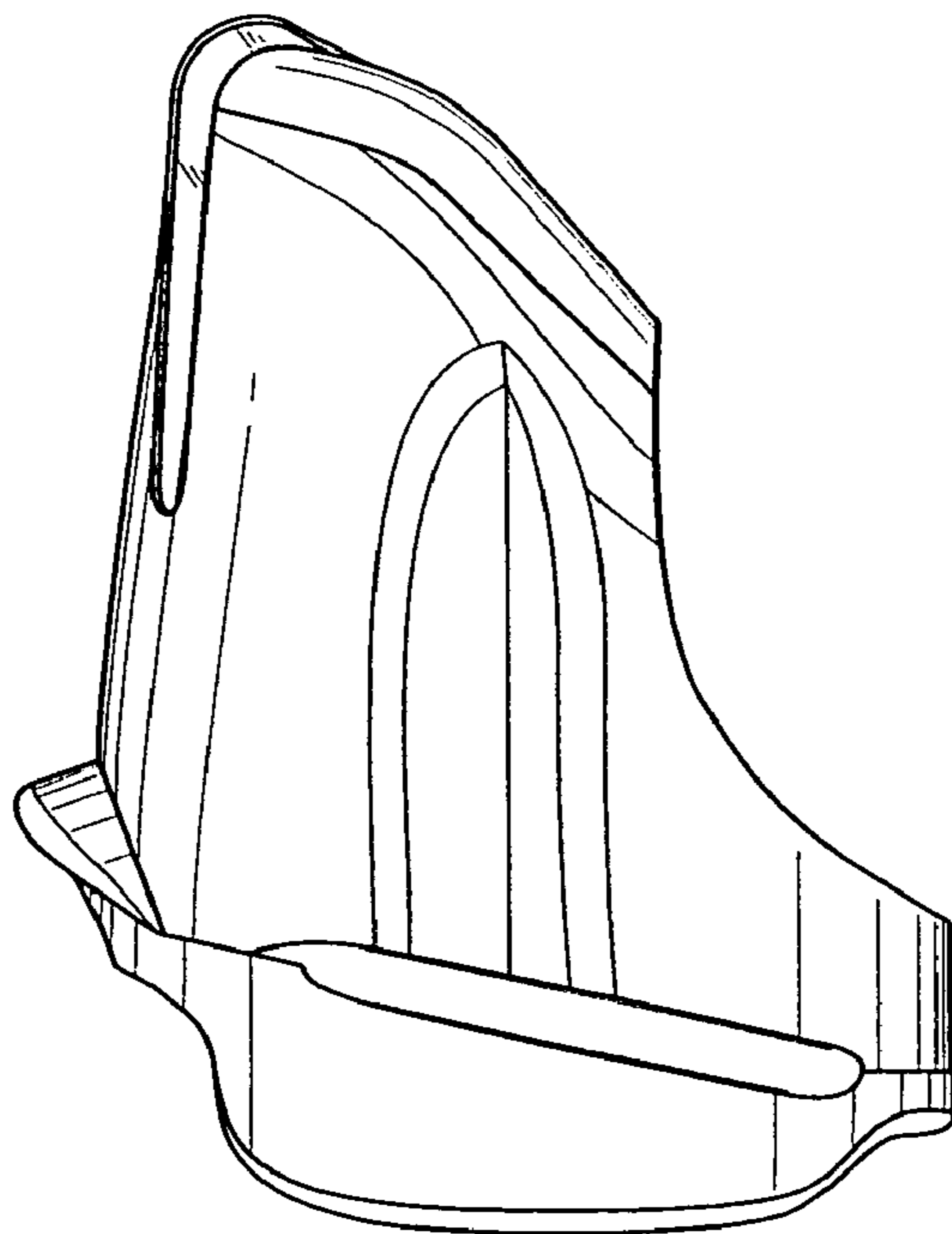


Fig. 5

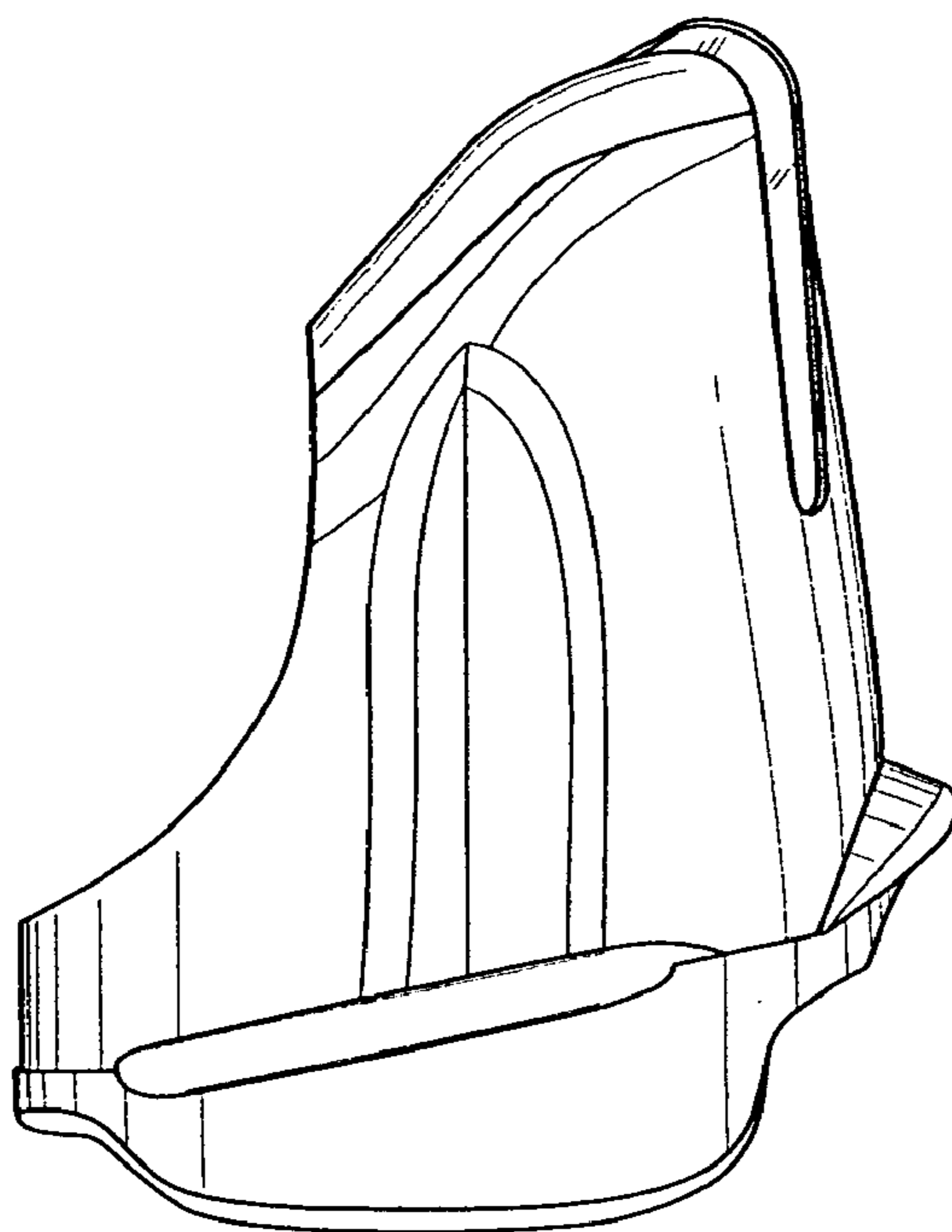


Fig. 6

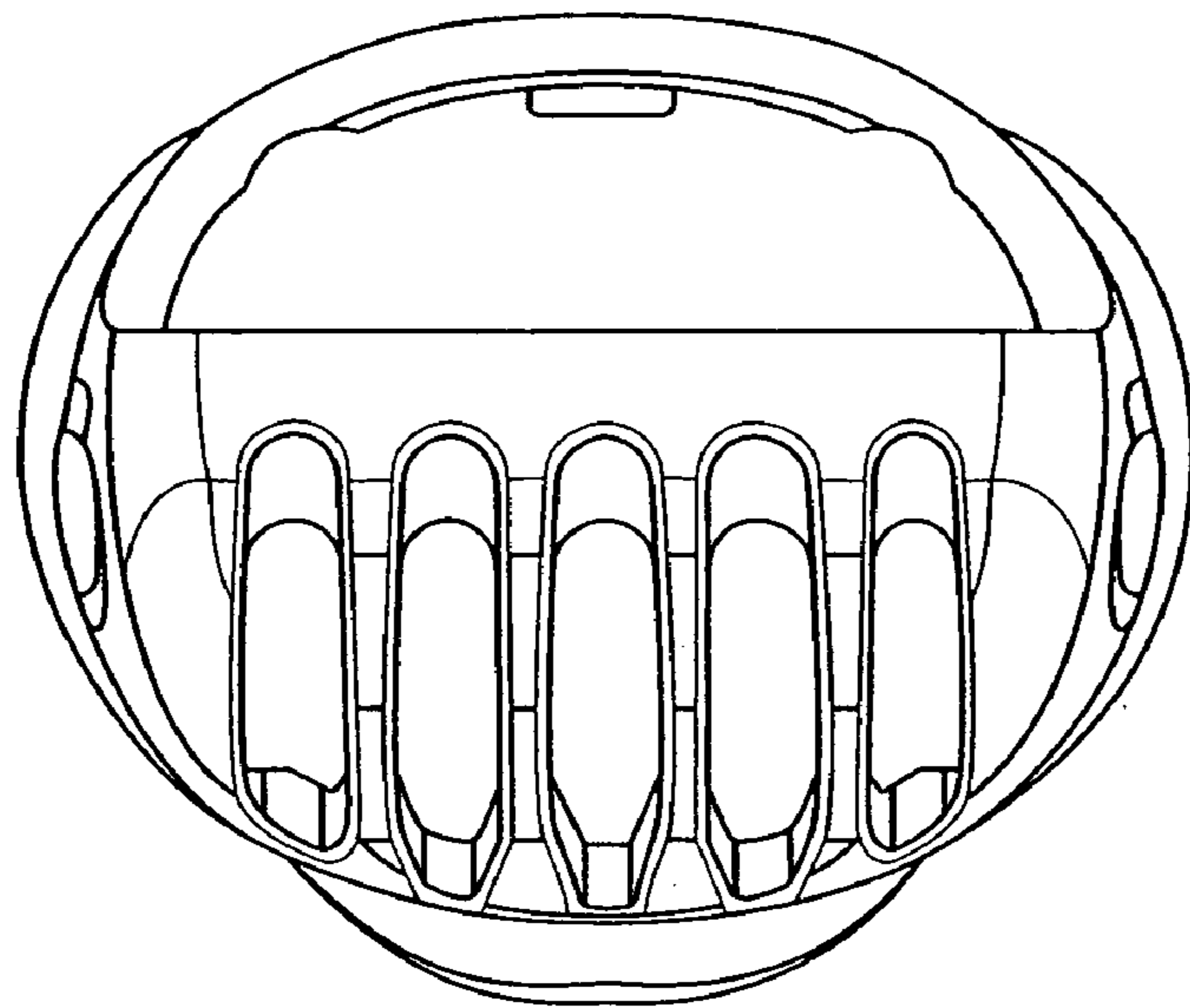


Fig. 7

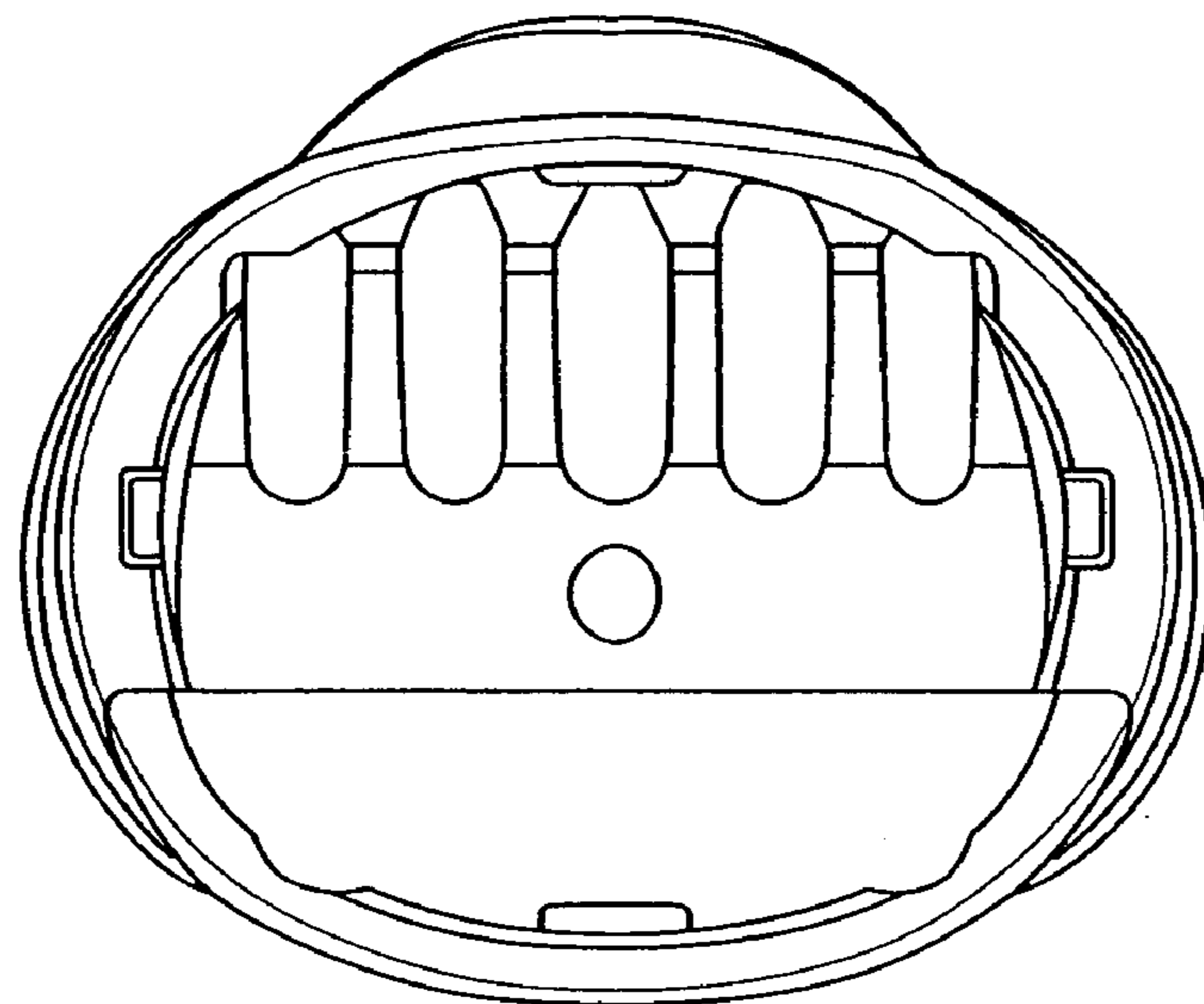


Fig. 8