



US00D558392S

(12) **United States Design Patent**
Van Keppel et al.

(10) **Patent No.:** **US D558,392 S**
(45) **Date of Patent:** **** Dec. 25, 2007**

(54) **COMBINED CIGAR AND CIGAR
ACCESSORY CARRYING CASE**

(75) Inventors: **Kurt Van Keppel**, Leawood, KS (US);
Scott Almsberger, Tonganoxie, KS
(US)

(73) Assignee: **Xikar, Inc.**, Kansas City, MO (US)

(**) Term: **14 Years**

(21) Appl. No.: **29/270,863**

(22) Filed: **Jan. 5, 2007**

(51) **LOC (8) Cl.** **27-06**

(52) **U.S. Cl.** **D27/185; D3/247**

(58) **Field of Classification Search** 206/236,
206/242, 245, 259-270; D27/172, 183-192;
D3/230, 243, 247, 249

See application file for complete search history.

(56) **References Cited**

U.S. PATENT DOCUMENTS

1,705,829	A *	3/1929	Stanley	206/260
D330,115	S *	10/1992	O'Brien	D3/249
D369,239	S *	4/1996	Deutch	D3/247
D378,441	S *	3/1997	Bazile	D27/185
2004/0144660	A1 *	7/2004	Staiano	206/236

* cited by examiner

Primary Examiner—Jennifer Rivard

(74) *Attorney, Agent, or Firm*—Stinson Morrison Hecker
LLP

(57) **CLAIM**

The ornamental design for a combined cigar and cigar
accessory carrying case, as shown and described.

DESCRIPTION

FIG. 1 is a perspective view of the combined cigar and cigar
accessory carrying case according to the present invention;

FIG. 2 is a elevational view of one end of the combined cigar
and cigar accessory carrying case;

FIG. 3 is a front elevational view of the combined cigar and
cigar accessory carrying case according to the present inven-
tion;

FIG. 4 is an elevational view of one side thereof;

FIG. 5 is an elevational view of the back of the combined
cigar and cigar accessory carrying case; and,

FIG. 6 is an elevational view of the side of the combined
cigar and cigar accessory carrying case which is opposite the
side shown in FIG. 4.

The evenly spaced broken lines along the edges of the strap
and case represent stitching and form a part of the claimed
design.

1 Claim, 2 Drawing Sheets

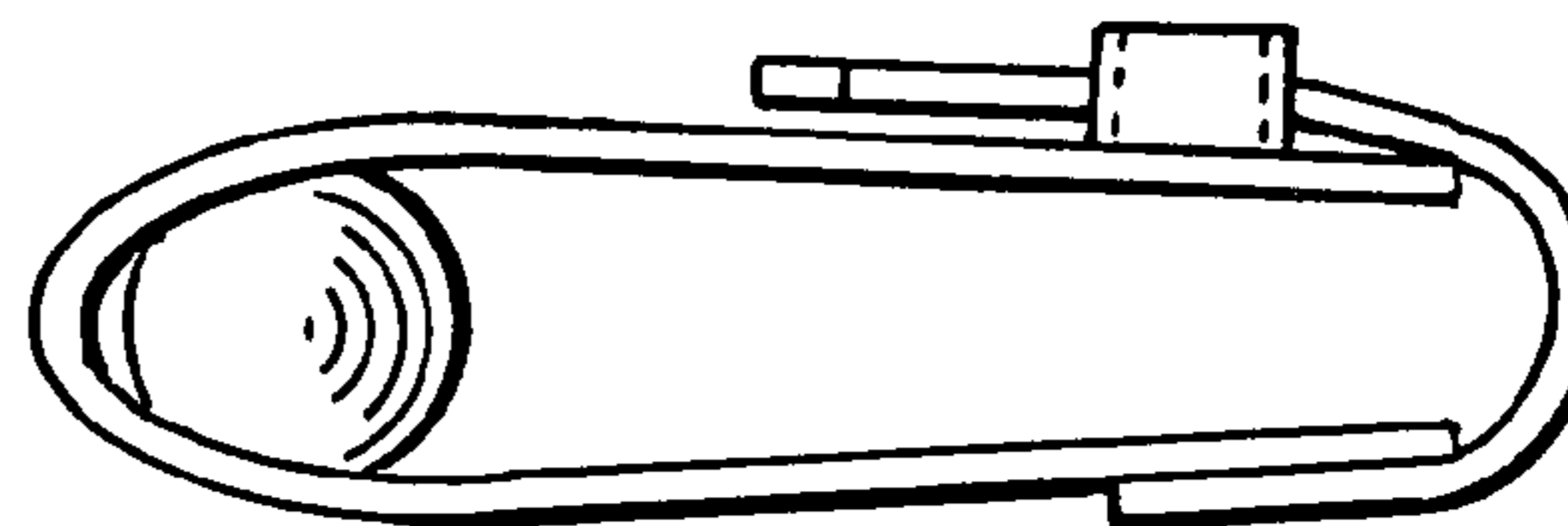
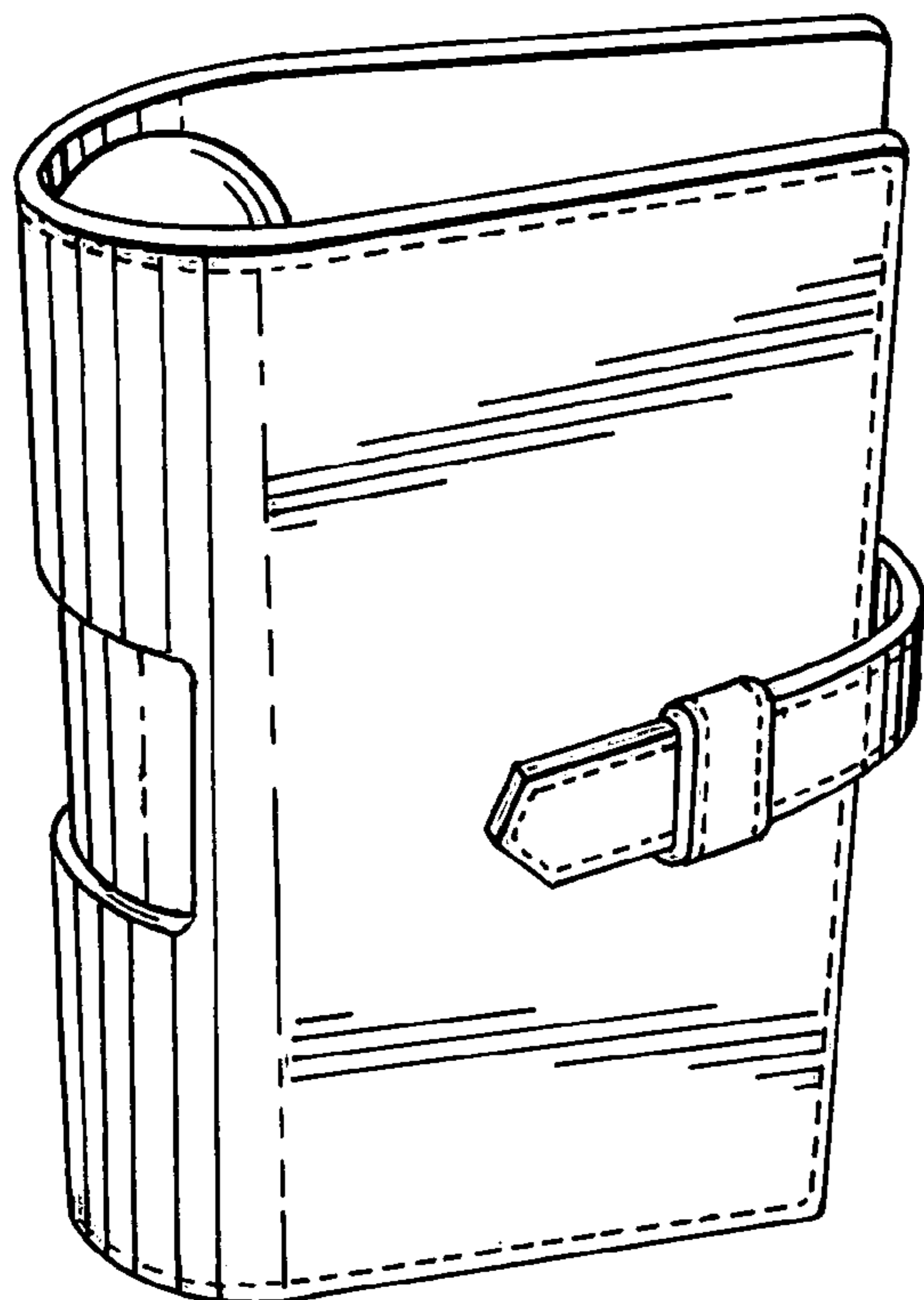


Fig. 1.

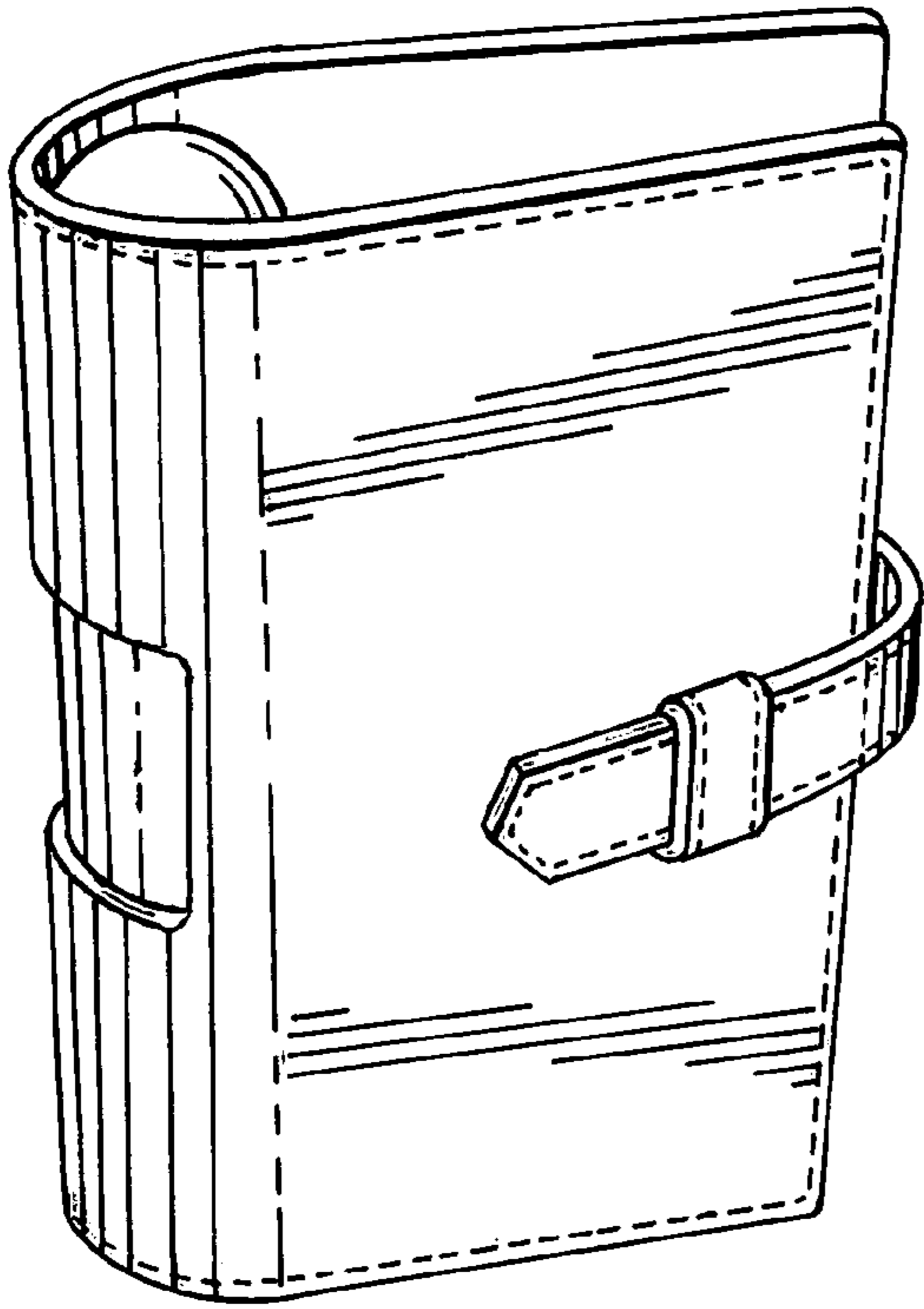


Fig. 2.

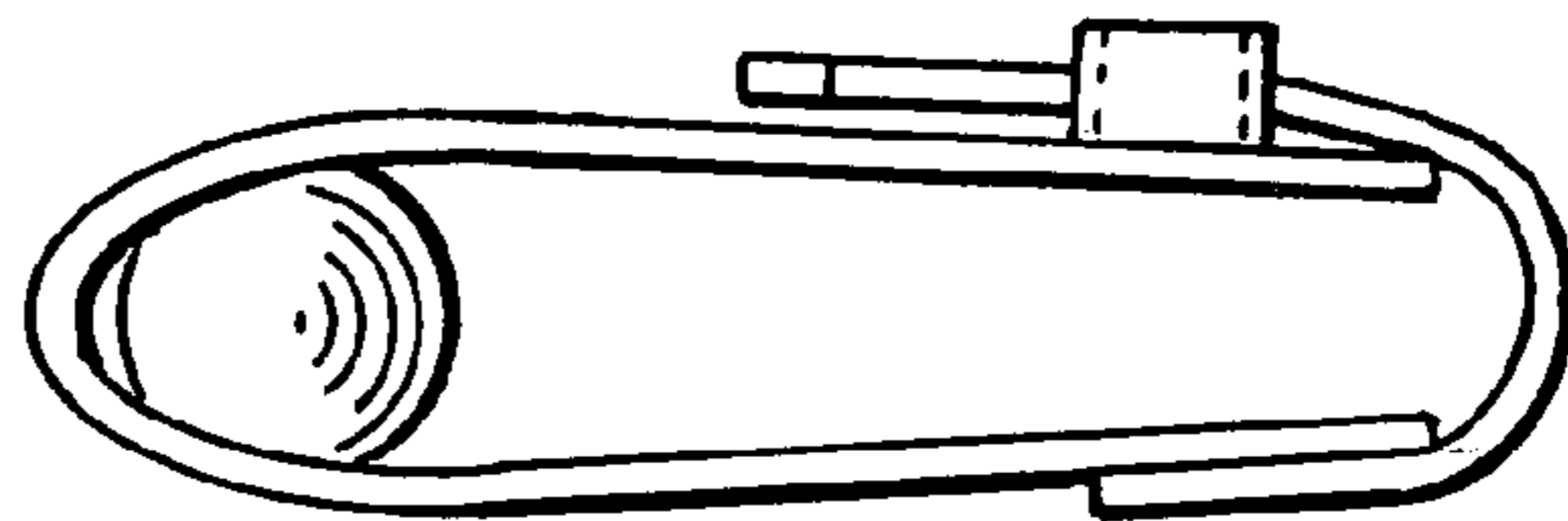


Fig. 3.

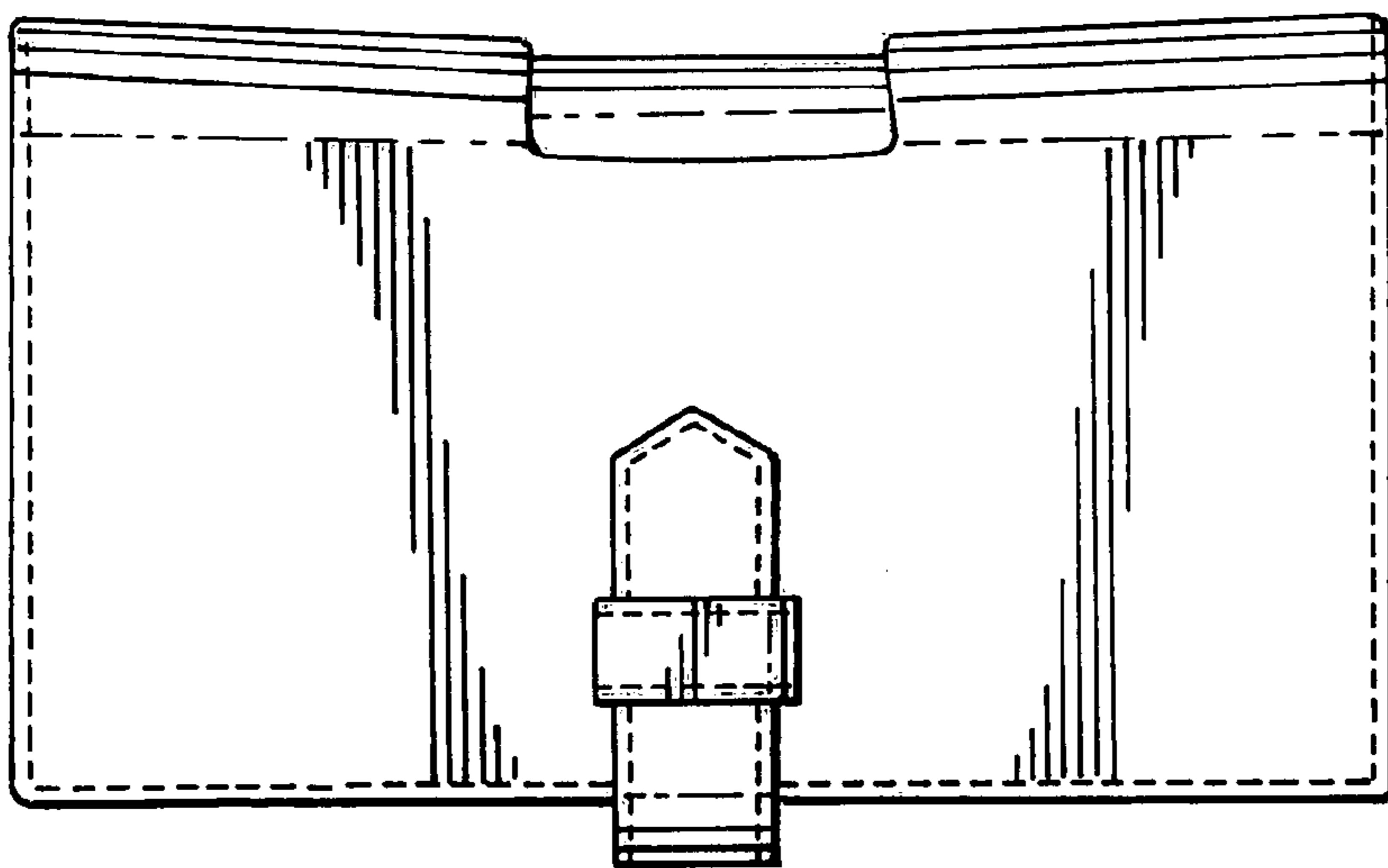


Fig. 4.

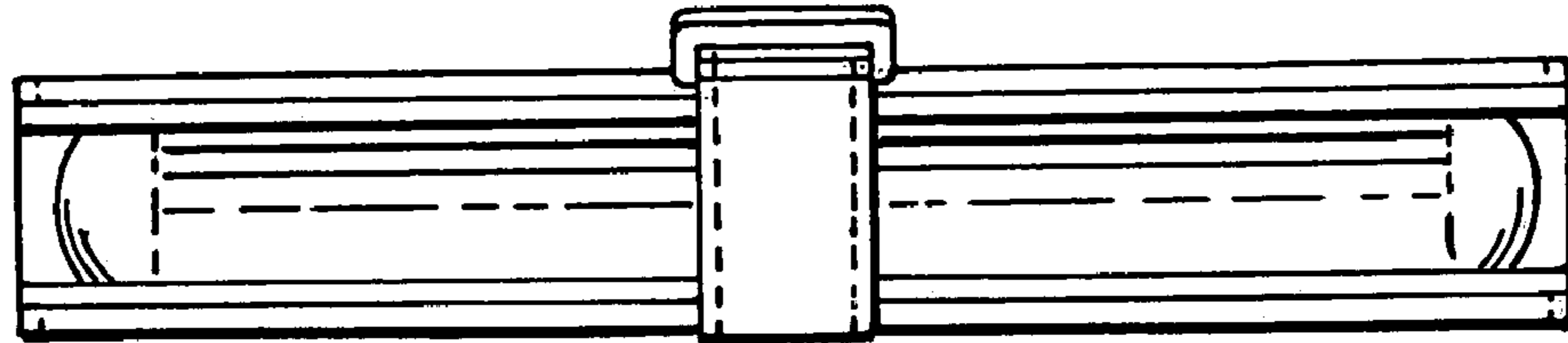


Fig. 5.

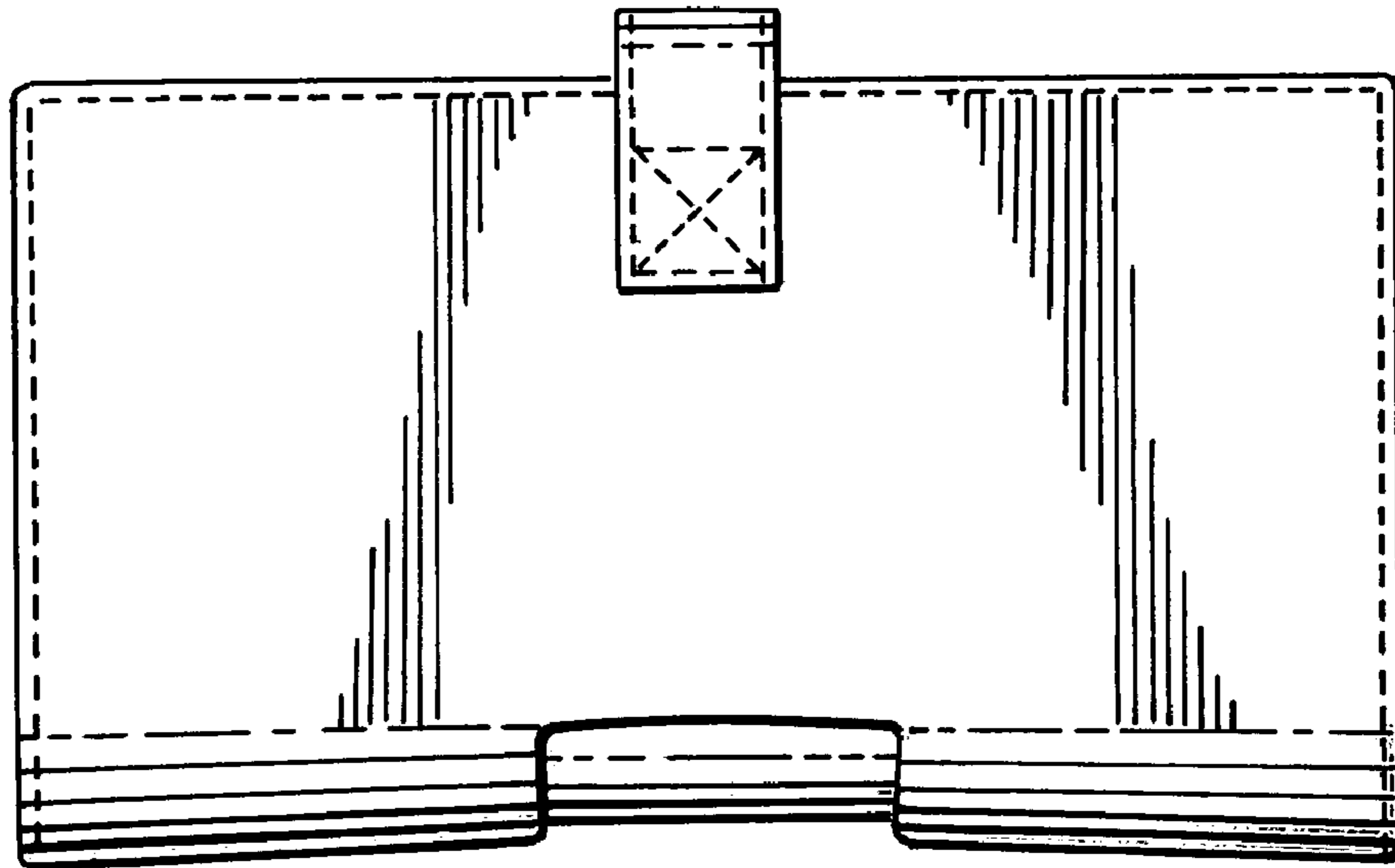


Fig. 6.

