



US00D558389S

(12) **United States Design Patent**
Chandler

(10) **Patent No.:** **US D558,389 S**

(45) **Date of Patent:** **** Dec. 25, 2007**

(54) **HANGING LAMP SUPPORT**

(75) Inventor: **George Chandler**, Hubbardton, VT
(US)

(73) Assignee: **Hubbardton Forge**, Castleton, VT
(US)

(**) Term: **14 Years**

(21) Appl. No.: **29/245,004**

(22) Filed: **Dec. 13, 2005**

(51) **LOC (8) Cl.** **26-99**

(52) **U.S. Cl.** **D26/142**

(58) **Field of Classification Search** D26/142,
D26/154, 155, 141, 91, 88, 86, 85, 84, 81,
D26/156, 153, 145, 144, 143; D23/411;
362/406, 405, 147, 403, 404, 408, 452, 453,
362/454

See application file for complete search history.

(56) **References Cited**

U.S. PATENT DOCUMENTS

1,012,234 A *	12/1911	Beardslee	248/317
D252,532 S *	7/1979	Glassman	D26/80
D430,331 S *	8/2000	Bleisch	D26/91
D431,312 S *	9/2000	Miranda	D26/84
D438,664 S *	3/2001	Lewis	D26/86
D481,150 S *	10/2003	Lee	D26/81

* cited by examiner

Primary Examiner—Freda S. Nunn

Assistant Examiner—Kevin K Rudzinski

(74) *Attorney, Agent, or Firm*—Bourque and Associates

(57) **CLAIM**

The ornamental design for a hanging lamp support, as shown and described.

DESCRIPTION

FIG. 1 is a perspective view of the hanging lamp support according to the present invention;

FIG. 2 is a left view of the hanging lamp support according to the present invention;

FIG. 3 is a right view of the hanging lamp support according to the present invention;

FIG. 4 is a front view of the hanging lamp support according to the present invention;

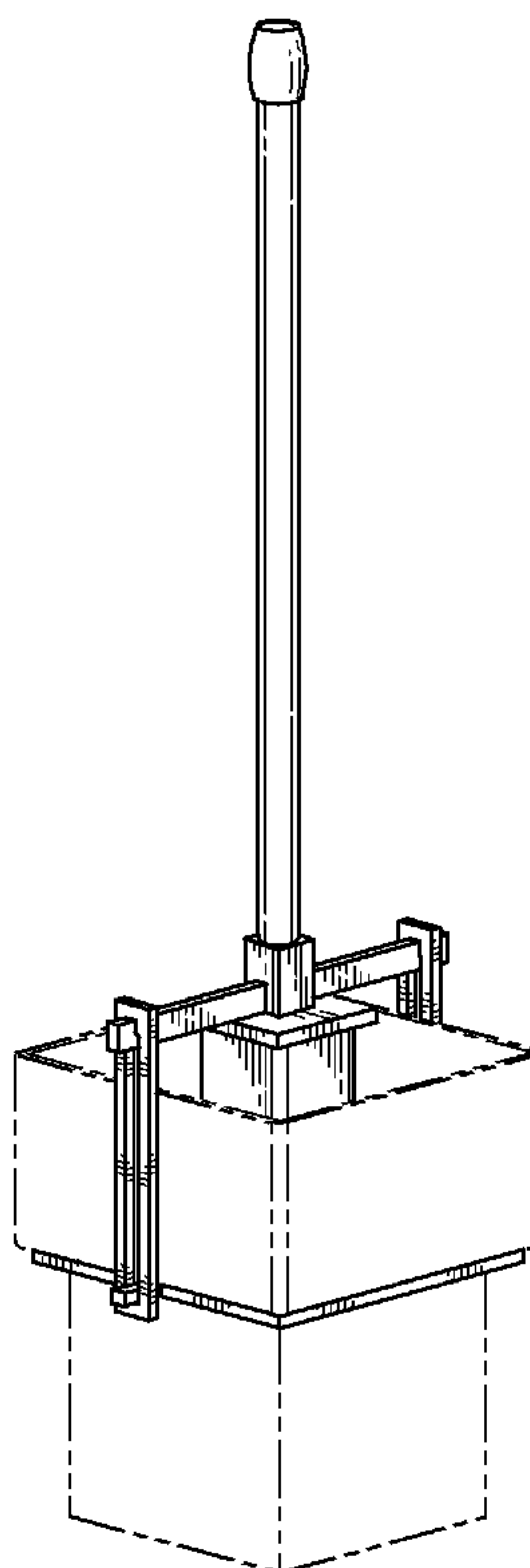
FIG. 5 is a rear view of the hanging lamp support according to the present invention;

FIG. 6 is a top view of the hanging lamp support according to the present invention; and,

FIG. 7 is a bottom view of the hanging lamp support according to the present invention.

The broken lines shown are included for the purpose of illustration only and forms no part of the claimed design.

1 Claim, 4 Drawing Sheets



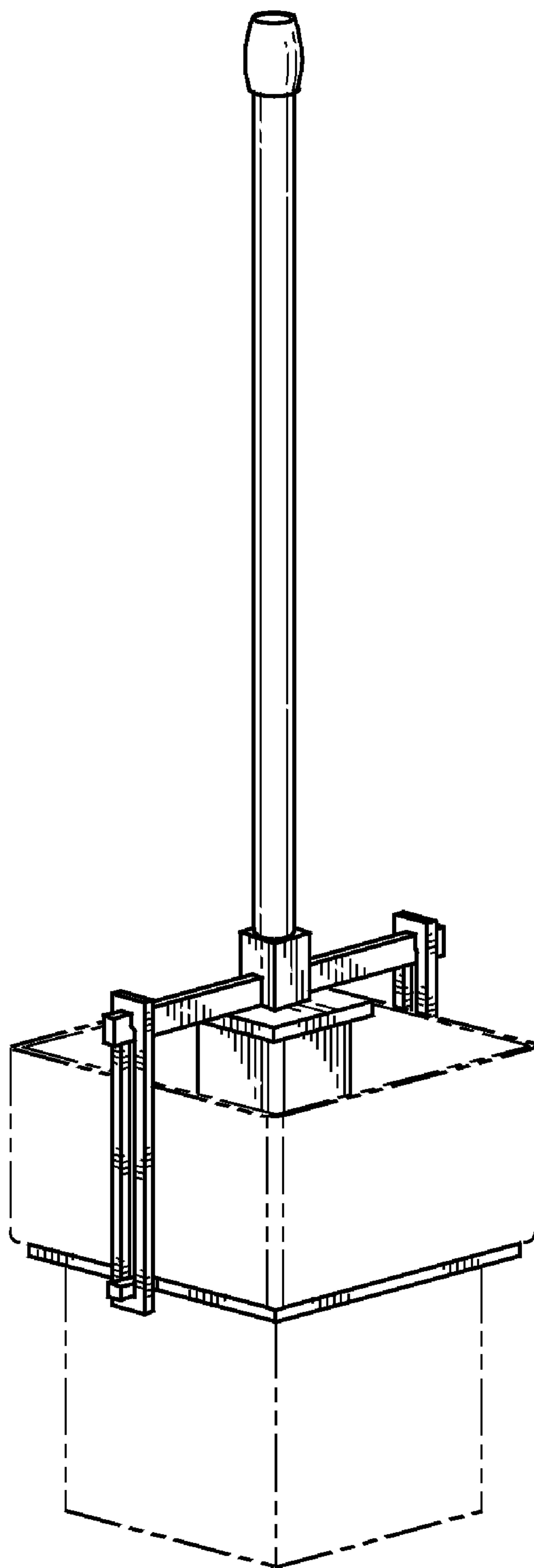


FIG. 1

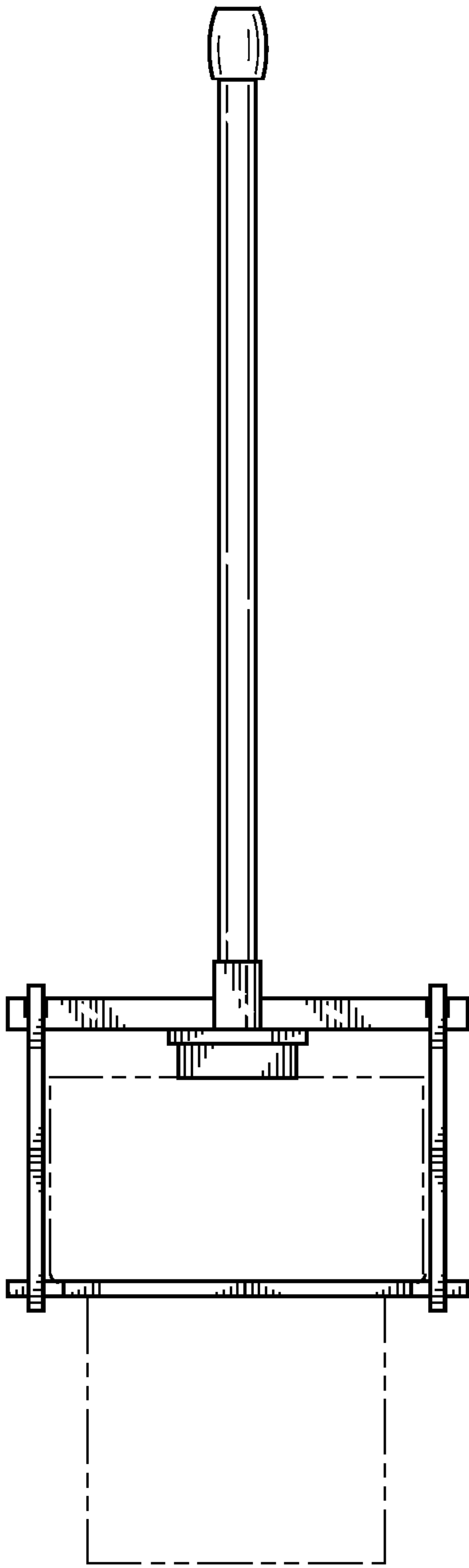


FIG. 2

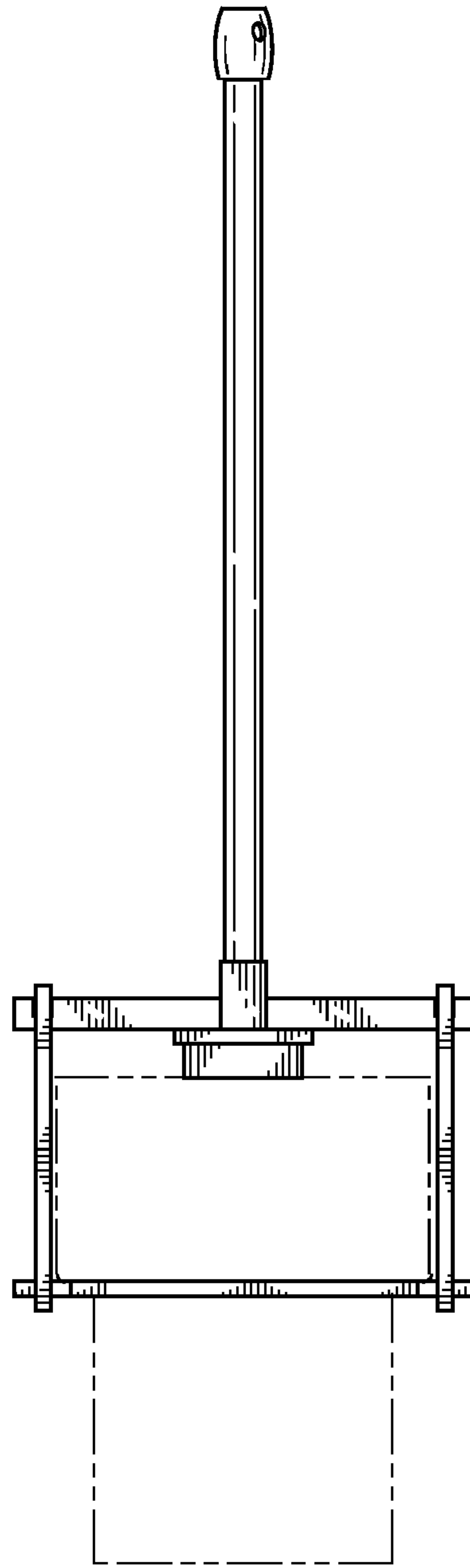


FIG. 3

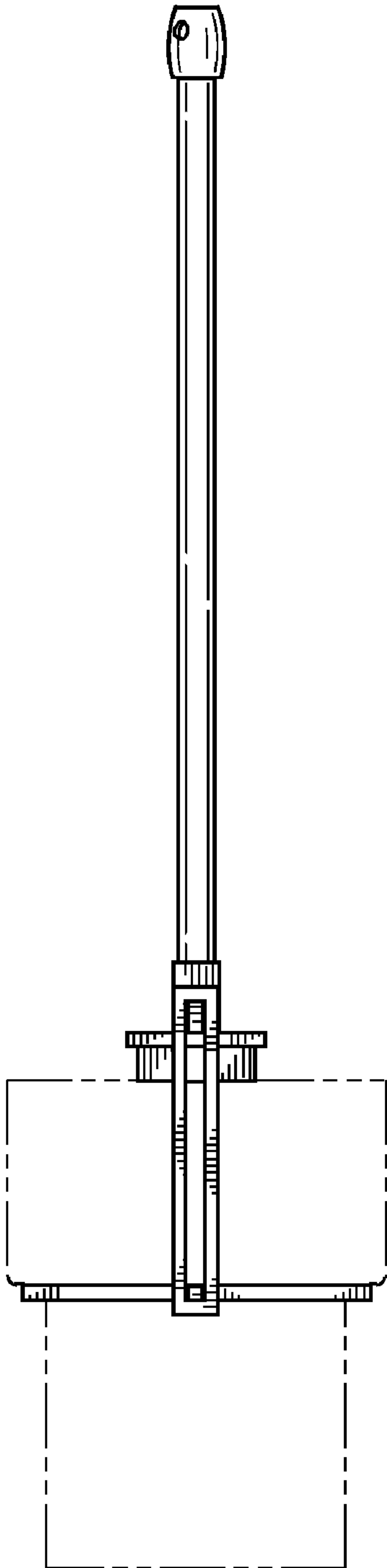


FIG. 4

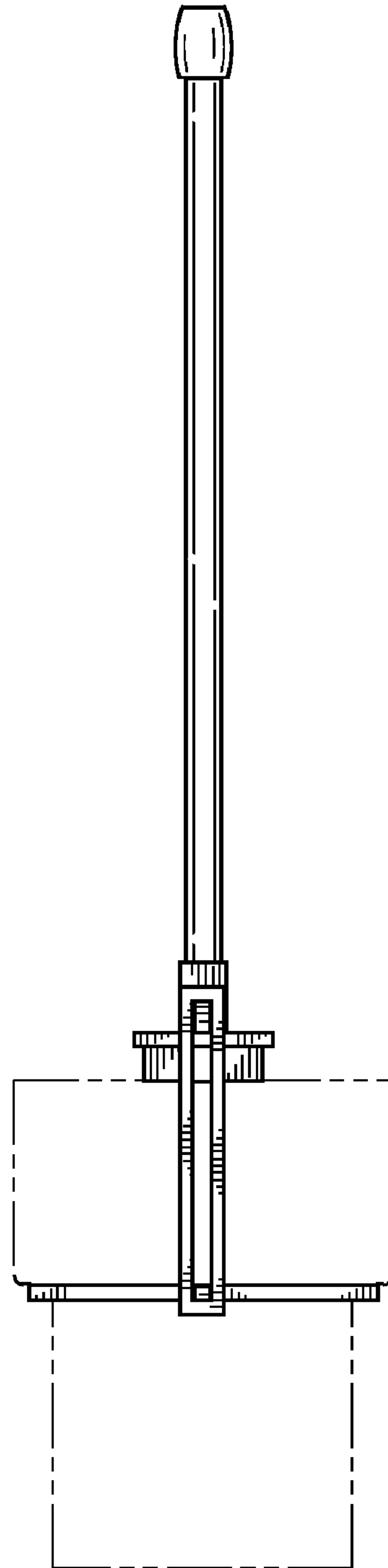


FIG. 5

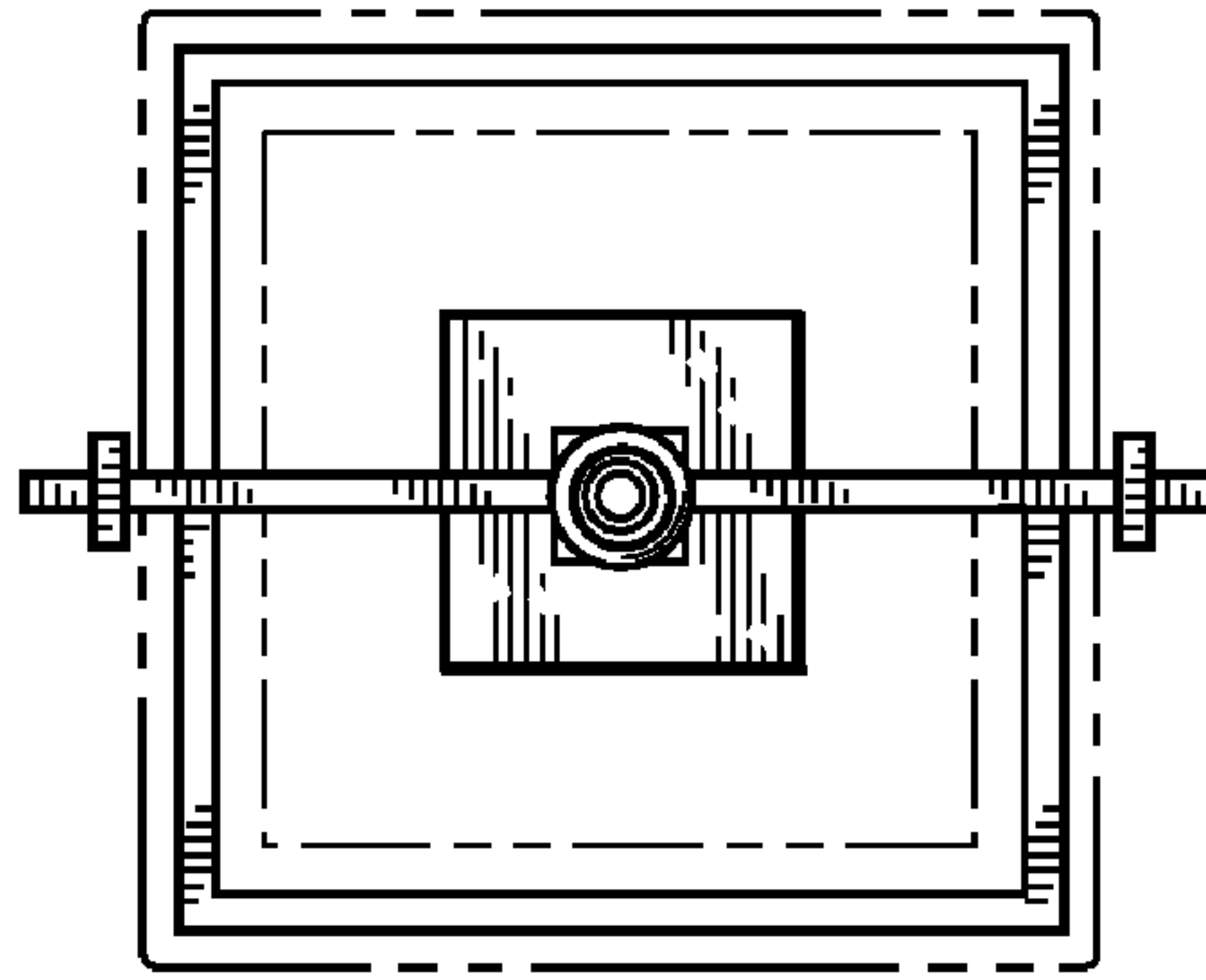


FIG. 6

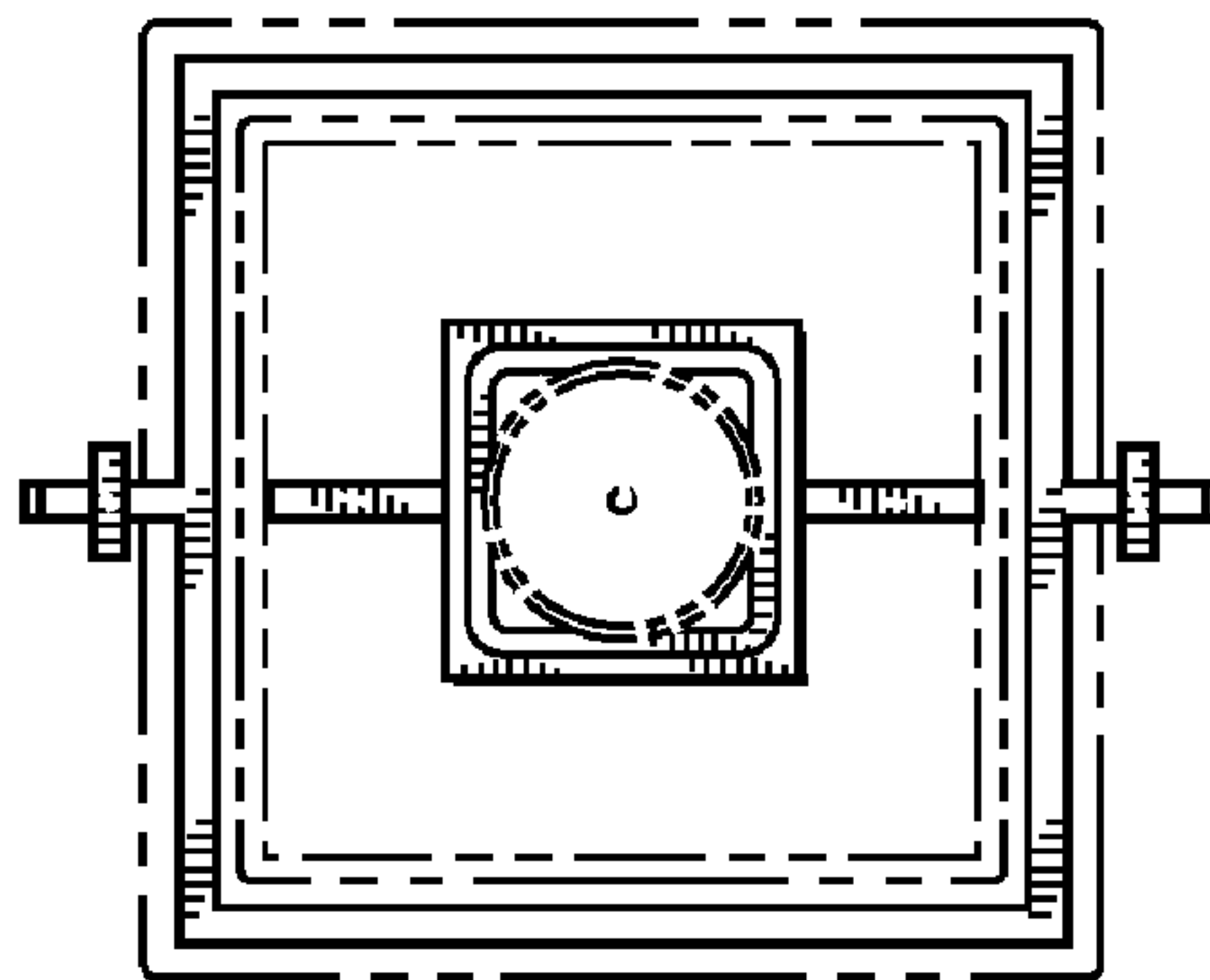


FIG. 7