



US00D558381S

(12) **United States Design Patent**
Horn et al.

(10) **Patent No.:** **US D558,381 S**

(45) **Date of Patent:** **** Dec. 25, 2007**

(54) **LUMINAIRE**

(75) Inventors: **Karl Horn**, Attleboro, MA (US); **James N. Neeld**, Tiverton, RI (US); **Paul J. Shapiro**, Riverside, RI (US); **Richard Meyer**, Providence, RI (US)

(73) Assignee: **Genlyte Thomas Group, LLC**,
Louisville, KY (US)

(**) Term: **14 Years**

(21) Appl. No.: **29/277,514**

(22) Filed: **Feb. 28, 2007**

(51) **LOC (8) Cl.** **26-03**

(52) **U.S. Cl.** **D26/85**

(58) **Field of Classification Search** D26/72,
D26/85, 87, 92; 362/147, 132, 404-406,
362/432

See application file for complete search history.

(56) **References Cited**

U.S. PATENT DOCUMENTS

524,756 A	8/1894	Colwell
593,853 A	11/1897	Paiste
844,940 A	2/1907	Hotchner
1,022,878 A	4/1912	Ryan
1,288,821 A	12/1918	Broderick
1,294,369 A	2/1919	Banks
1,349,478 A	8/1920	Sugimura
1,357,539 A	11/1920	Bissell
1,370,255 A	3/1921	Zimmermann, Jr.
1,413,315 A	4/1922	Correll
1,429,762 A	9/1922	Oliver
1,552,121 A	9/1925	Dau
1,568,942 A	1/1926	Haley
1,590,130 A	6/1926	Sturgeon, Jr.
1,619,198 A	3/1927	Edison

1,654,873 A	1/1928	Greenewalt
1,680,036 A	8/1928	Buswell et al.
1,695,061 A	12/1928	Robinson et al.
1,700,538 A	1/1929	Grant et al.
1,705,014 A	3/1929	Hubbell
1,759,796 A	5/1930	Miles
1,765,242 A	6/1930	Reiter
1,770,726 A	7/1930	Bauersfeld
1,773,524 A	8/1930	Doyle

(Continued)

Primary Examiner—Clare E Heflin

(74) *Attorney, Agent, or Firm*—John F. Salazar; Middleton Reutlinger

(57) **CLAIM**

The ornamental design for a luminaire, as shown and described.

DESCRIPTION

FIG. 1 is an upper perspective view of the luminaire of the present invention;

FIG. 2 is a front view of the design of the present invention;

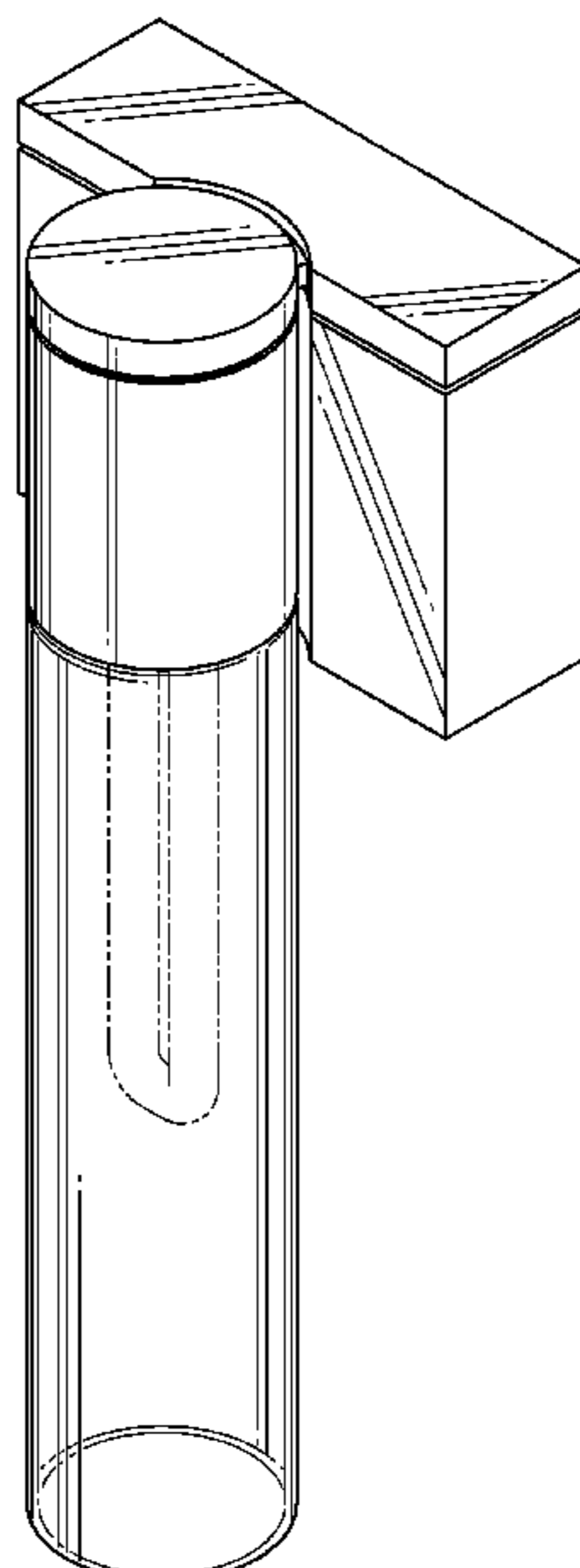
FIG. 3 is a right side view of the design of the present invention; the left side view of the design of the present invention is a mirror image of the right side view, and is not included;

FIG. 4 is a top view of the design of the present invention; and,

FIG. 5 is a bottom view of the design of the present invention.

The broken lines showing environmental structure are for illustrative purposes only and form no part of the claimed design.

1 Claim, 5 Drawing Sheets



US D558,381 S

Page 2

U.S. PATENT DOCUMENTS					
			4,972,306 A	11/1990	Bornhorst
			4,992,709 A	2/1991	Griffin
			5,073,847 A	12/1991	Bornhorst
			5,134,554 A	7/1992	Donato et al.
			5,149,282 A	9/1992	Donato et al.
			D330,947 S	11/1992	Donato et al.
			D333,124 S	2/1993	Carson
			5,186,536 A	2/1993	Bornhorst et al.
			5,189,259 A	2/1993	Carson et al.
			5,209,560 A	5/1993	Taylor et al.
			5,227,762 A	7/1993	Guidette et al.
			5,278,742 A	1/1994	Garrett
			5,282,121 A	1/1994	Bornhorst et al.
			5,307,295 A	4/1994	Taylor et al.
			D347,113 S	5/1994	Bornhorst et al.
			5,329,431 A	7/1994	Taylor et al.
			D350,408 S	9/1994	Leigh et al.
			5,347,088 A	9/1994	Marsh et al.
			5,367,444 A	11/1994	Bornhorst et al.
			D356,383 S	3/1995	Pickett
			D356,384 S	3/1995	Pickett
			D356,385 S	3/1995	Pickett
			D361,858 S	8/1995	Pickett
			D361,859 S	8/1995	Pickett
			D362,515 S	9/1995	Pickett
			5,475,360 A	12/1995	Guidette et al.
			D365,887 S	1/1996	Pickett
			D366,712 S	1/1996	Hanson et al.
			D367,938 S	3/1996	Pickett
			D371,631 S	7/1996	Pickett et al.
			D377,338 S	1/1997	Terleski
			5,642,104 A	6/1997	Erwin
			D386,272 S	11/1997	Brown
			D387,267 S	12/1997	Brown
			D391,659 S	3/1998	Gaskins et al.
			D392,404 S	3/1998	Brown
			5,728,994 A	3/1998	Hutton
			5,758,956 A	6/1998	Bornhorst et al.
			5,769,527 A	6/1998	Taylor et al.
			5,774,273 A	6/1998	Bornhorst
			5,798,619 A	8/1998	Covington
			5,814,950 A	9/1998	Carson et al.
			D399,331 S	10/1998	Greene et al.
			D399,332 S	10/1998	Greene et al.
			D399,333 S	10/1998	Greene et al.
			D400,286 S	10/1998	Greene et al.
			5,825,548 A	10/1998	Bornhorst et al.
			5,829,868 A	11/1998	Hutton
			5,834,765 A	11/1998	Ashdown
			D403,097 S *	12/1998	Littman D26/87
			5,882,107 A	3/1999	Bornhorst et al.
			5,920,156 A	7/1999	Carson et al.
			5,934,794 A	8/1999	Hutton
			D413,995 S	9/1999	Lee et al.
			D413,998 S *	9/1999	Littman D26/87
			5,959,768 A	9/1999	Hutton
			D414,888 S	10/1999	McNatt et al.
			D415,301 S	10/1999	Stacy et al.
			5,975,726 A	11/1999	Latimer
			D420,332 S	2/2000	Lee et al.
			6,031,749 A	2/2000	Covington et al.
			6,037,593 A	3/2000	Santoro
			6,046,861 A	4/2000	Steele
			6,074,075 A	6/2000	Staniec
			6,113,252 A	9/2000	Arlitt et al.
			6,123,436 A	9/2000	Hough et al.
			D432,707 S	10/2000	Brunner et al.
			6,141,234 A	10/2000	Knoble et al.
			D435,023 S	12/2000	Carson et al.
			6,183,107 B1	2/2001	Donato
			D439,356 S	3/2001	Martinson et al.
			D440,207 S	4/2001	Carson et al.
			D442,317 S *	5/2001	Crosby D26/87
1,791,126 A	2/1931	Guth			
1,809,243 A	6/1931	Kirk			
1,821,955 A	9/1931	Wuelker			
1,840,582 A	1/1932	Hubbell			
1,883,621 A	10/1932	D'Olier, Jr.			
1,887,523 A	11/1932	Schenkel			
1,889,567 A	11/1932	Persons			
1,917,860 A	7/1933	Wadsworth			
1,924,902 A	8/1933	Barnett			
1,961,116 A	5/1934	Van Braam Van Vloten			
1,973,792 A	9/1934	Barrows			
2,055,217 A	9/1936	Gauthier			
2,075,206 A	3/1937	Kantack			
2,076,240 A	4/1937	Levy			
2,077,111 A	4/1937	Kent			
2,089,610 A	8/1937	Kloos			
2,107,028 A	2/1938	Doane			
2,114,963 A	4/1938	Levy			
D109,854 S *	5/1938	Stewart D26/76			
2,131,054 A	9/1938	Kurth			
2,143,673 A	1/1939	Baumgartner			
2,161,718 A	6/1939	Miller			
2,202,266 A	5/1940	Phillips			
2,242,590 A	5/1941	Moreau			
2,262,586 A	11/1941	James			
2,269,494 A	1/1942	Tillyer			
2,269,554 A	1/1942	Rolph			
2,273,167 A	2/1942	Anderson			
2,297,323 A	9/1942	Rees et al.			
2,299,672 A	10/1942	Willer			
2,300,251 A	10/1942	Flint			
2,301,419 A	11/1942	Lew			
2,312,561 A	3/1943	Leonard			
2,319,736 A	5/1943	Jarmolowsky			
2,323,172 A	6/1943	Whittaker			
2,349,924 A	5/1944	Anderson			
D140,569 S *	3/1945	Lescaze D26/92			
2,379,534 A	7/1945	Lowden			
2,415,298 A	2/1947	Linton			
2,498,294 A	2/1950	Pennow et al.			
2,528,132 A	10/1950	Gibson et al.			
D164,507 S *	9/1951	McCann D26/76			
2,595,520 A	5/1952	Guerin			
2,595,993 A	5/1952	Templeman et al.			
2,647,411 A	8/1953	Filocano			
2,650,292 A	8/1953	Strong			
2,659,038 A	11/1953	Heyer			
2,667,807 A	2/1954	Hahn			
2,774,702 A	12/1956	Smith			
D185,974 S *	8/1959	Rambusch D26/85			
4,120,023 A	10/1978	McReynolds, Jr.			
4,308,573 A	12/1981	McNamara, Jr.			
4,323,956 A	4/1982	Pustka			
4,364,105 A	12/1982	McNamara, Jr.			
4,364,108 A	12/1982	Rapp			
4,400,754 A	8/1983	Schweickardt			
4,413,211 A	11/1983	Fowler			
4,437,142 A	3/1984	Donato et al.			
4,545,405 A	10/1985	LaBelle			
4,562,515 A	12/1985	Lautzenheiser			
4,661,892 A	4/1987	Reed, Jr.			
4,779,176 A	10/1988	Bornhorst			
D304,768 S	11/1989	Dicola			
D304,769 S	11/1989	De'Armond			
D304,862 S	11/1989	DiCola			
D306,772 S	3/1990	De'Armond			
D307,578 S	5/1990	Carson et al.			
D307,641 S	5/1990	De'Armond			
D307,642 S	5/1990	DiCola			
D311,256 S *	10/1990	Frattini D26/87			
4,967,317 A	10/1990	Plumly			

US D558,381 S

Page 3

D442,944 S	5/2001	Page et al.	D478,314 S	8/2003	Thomas
D443,943 S	6/2001	Brunner et al.	6,623,144 B2	9/2003	Bornhorst
6,282,027 B1	8/2001	Hough	D480,495 S	10/2003	Brunner
6,321,417 B1	11/2001	Zhang	D481,151 S	10/2003	Brunner
D451,890 S	12/2001	Reese, Jr. et al.	D482,483 S	11/2003	Brunner
D452,031 S	12/2001	Brunner et al.	6,669,413 B1	12/2003	Neeld et al.
D452,339 S	12/2001	Outland et al.	6,703,799 B2	3/2004	Summerford et al.
D453,583 S	2/2002	Shimada	D489,474 S	5/2004	Brunner
D456,931 S	5/2002	Shimada	D489,766 S	5/2004	Gregory et al.
D457,673 S	5/2002	Martinson et al.	6,769,792 B1	8/2004	Bornhorst
D463,368 S	9/2002	Demshki	6,796,682 B2	9/2004	Hough et al.
D465,297 S	11/2002	Thomas	6,809,869 B2	10/2004	Hough
D465,298 S *	11/2002	Gottwald D26/85	D502,565 S	3/2005	Hetfield
D468,051 S	12/2002	Gaskins et al.	D504,705 S	5/2005	Gregory et al.
6,536,924 B2	3/2003	Segretto	6,969,181 B1	11/2005	Bailey et al.
6,539,657 B1	4/2003	Qualls, Jr. et al.	7,007,305 B2	2/2006	Carson et al.
6,550,939 B2	4/2003	Reinert	7,032,372 B1	4/2006	Horvath
6,575,594 B1	6/2003	Jafari	7,059,747 B2	6/2006	Barozzini et al.
6,578,987 B1	6/2003	Hough et al.	2005/0281034 A1	12/2005	Summerford et al.
D476,770 S	7/2003	Brunner			
D478,185 S	8/2003	Brunner			

* cited by examiner

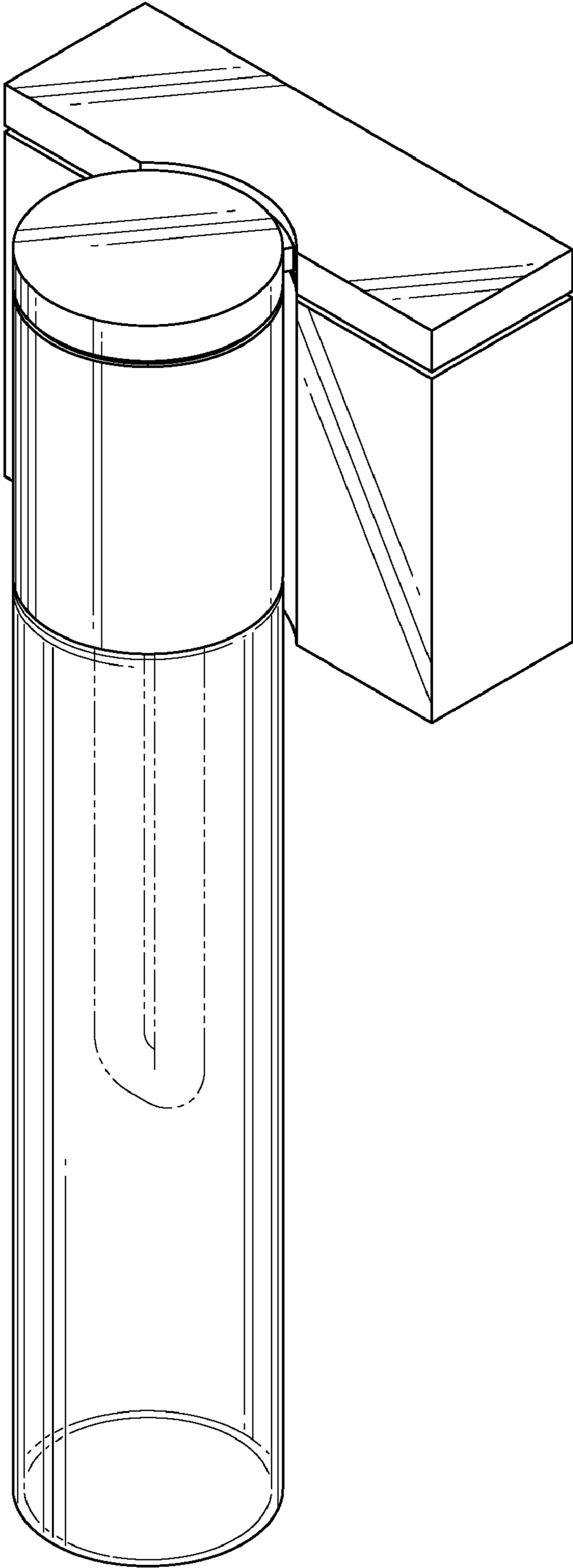


FIG. 1

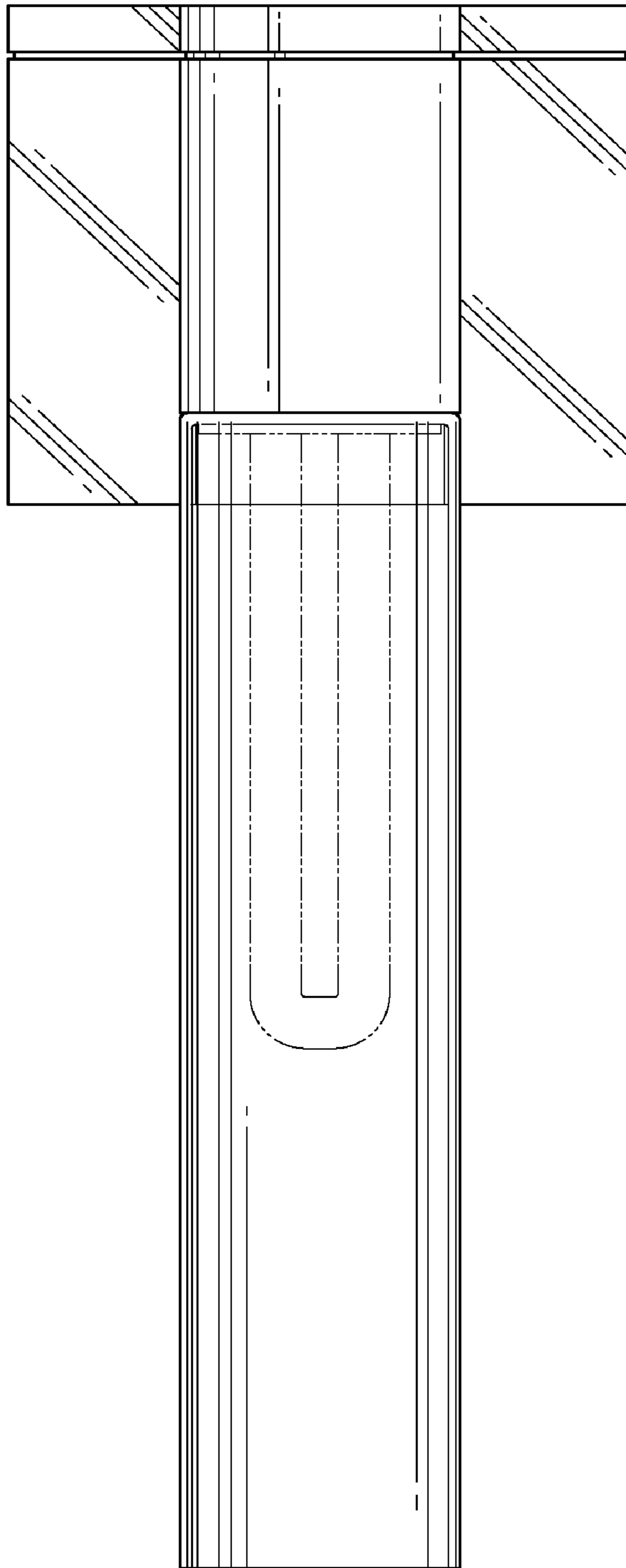


FIG. 2

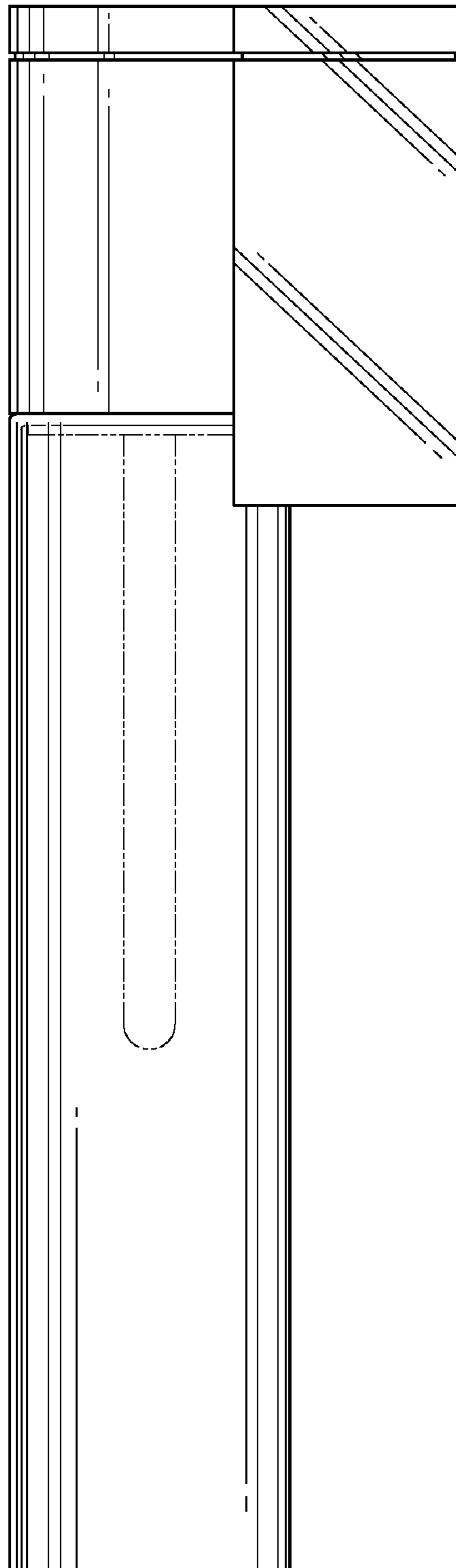


FIG. 3

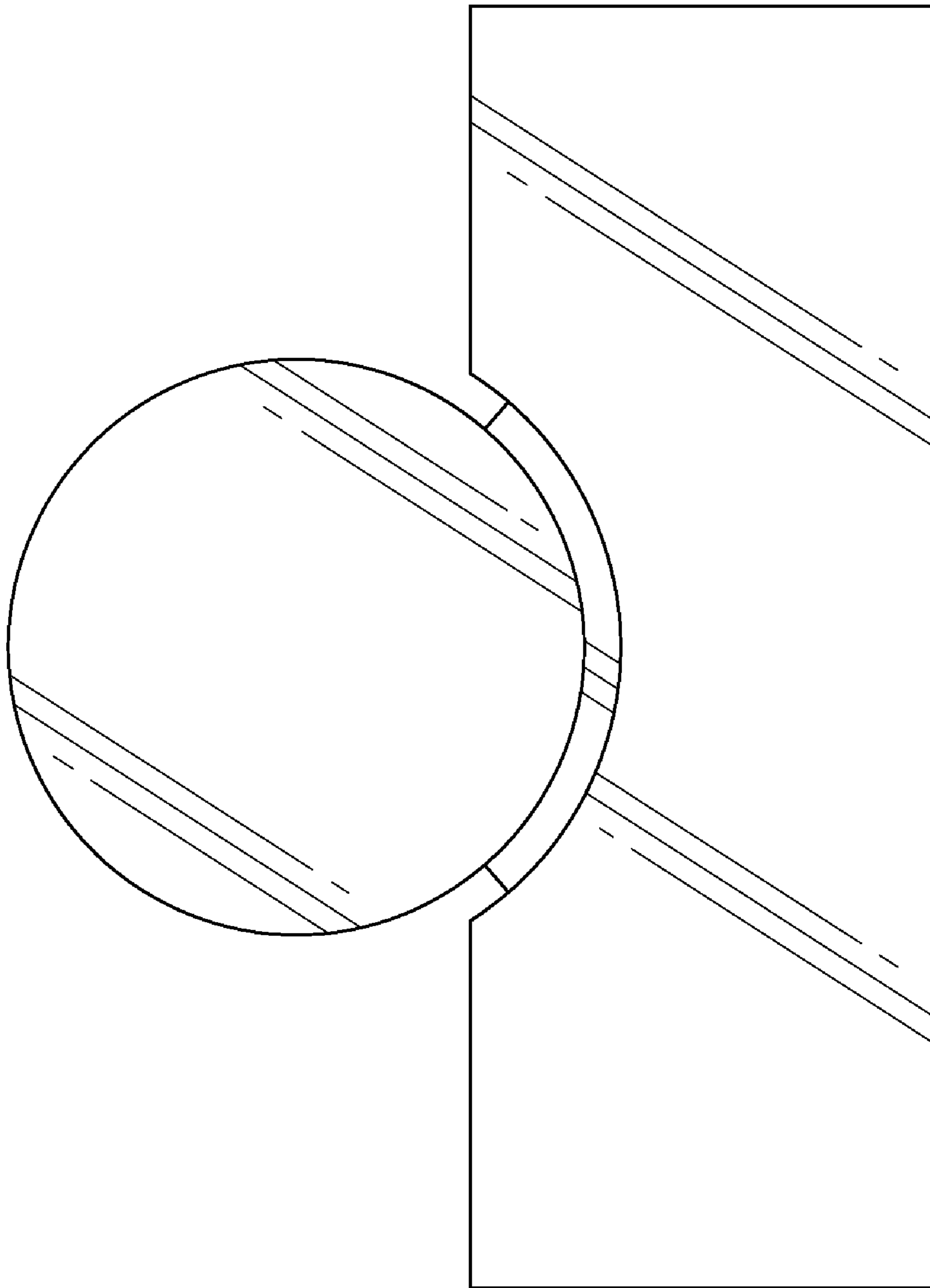


FIG. 4

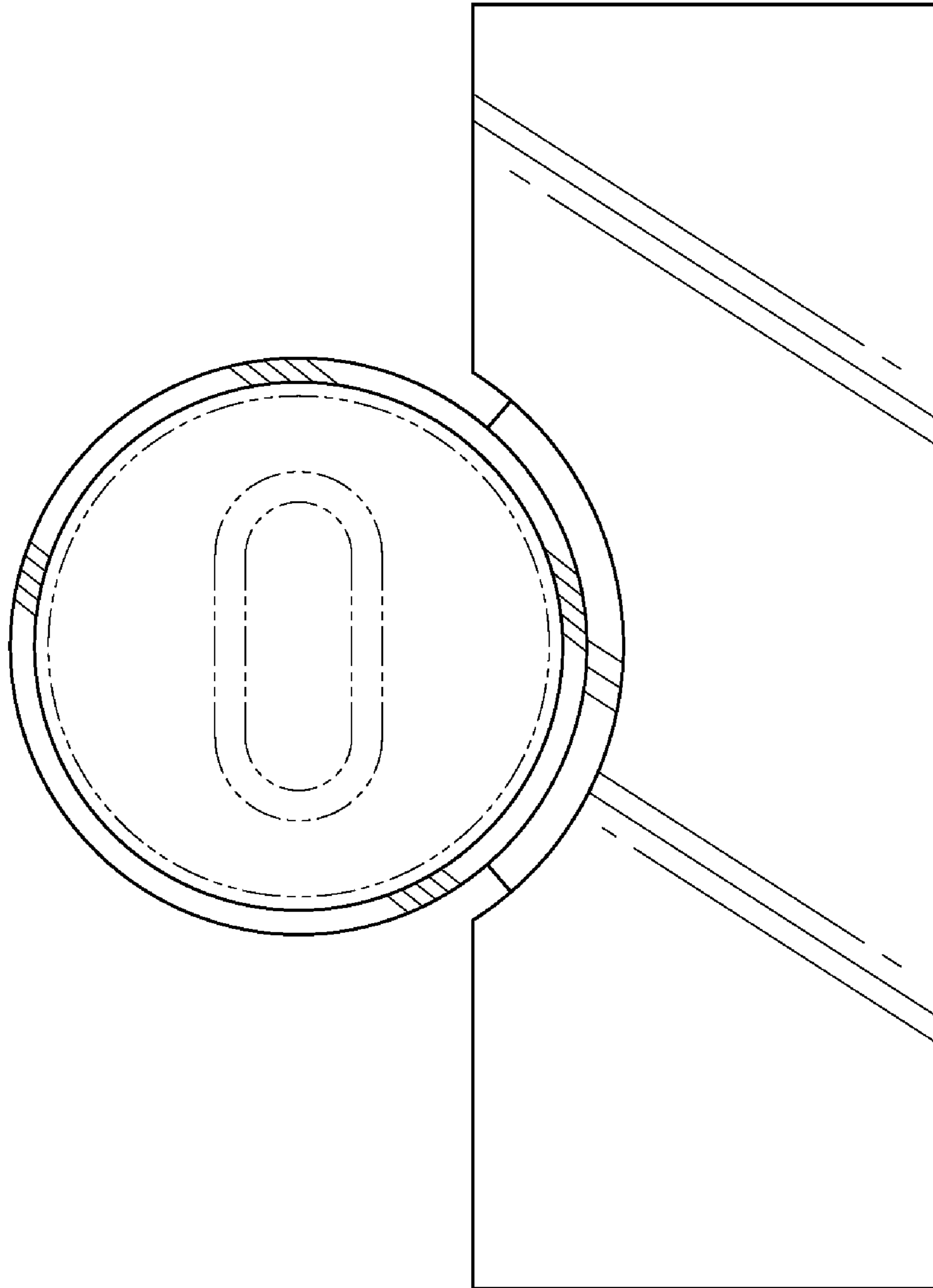


FIG. 5