



US00D558379S

(12) **United States Design Patent**
Citterio

(10) **Patent No.:** **US D558,379 S**

(45) **Date of Patent:** **** Dec. 25, 2007**

(54) **PENDANT LAMP**

(75) Inventor: **Antonio Citterio**, Milan (IT)

(73) Assignee: **FLOS S.p.A.** (IT)

(**) Term: **14 Years**

(21) Appl. No.: **29/239,924**

(22) Filed: **Oct. 6, 2005**

(30) **Foreign Application Priority Data**

Apr. 11, 2005 (EM) 000322250-0001

(51) **LOC (8) Cl.** **26-03**

(52) **U.S. Cl.** **D26/76; D26/77**

(58) **Field of Classification Search** D26/72,
D26/74-79; 362/217-225, 283, 147, 363
See application file for complete search history.

(56) **References Cited**

U.S. PATENT DOCUMENTS

D329,919 S *	9/1992	Jahn	D26/77
D334,076 S *	3/1993	Dieperink et al.	D26/77
D377,231 S *	1/1997	Degelmann	D26/77
D378,860 S *	4/1997	Galletly	D26/77
D405,209 S *	2/1999	Walz	D26/86

D463,879 S *	10/2002	Mier-Langner et al.	D26/77
D490,927 S *	6/2004	Keller	D26/77
D496,749 S *	9/2004	Kuebler	D26/77
D519,237 S *	4/2006	Kopp	D26/76
D521,675 S *	5/2006	Chen	D26/76

* cited by examiner

Primary Examiner—Catherine R. Oliver

Assistant Examiner—Susan E Krakower

(74) *Attorney, Agent, or Firm*—McGlew and Tuttle, P.C.

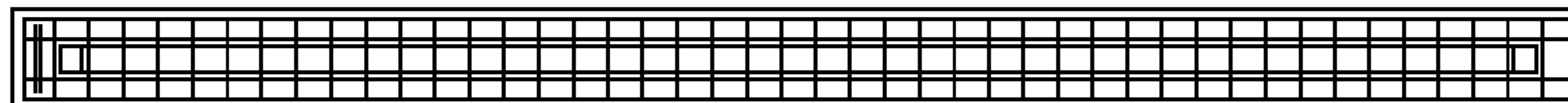
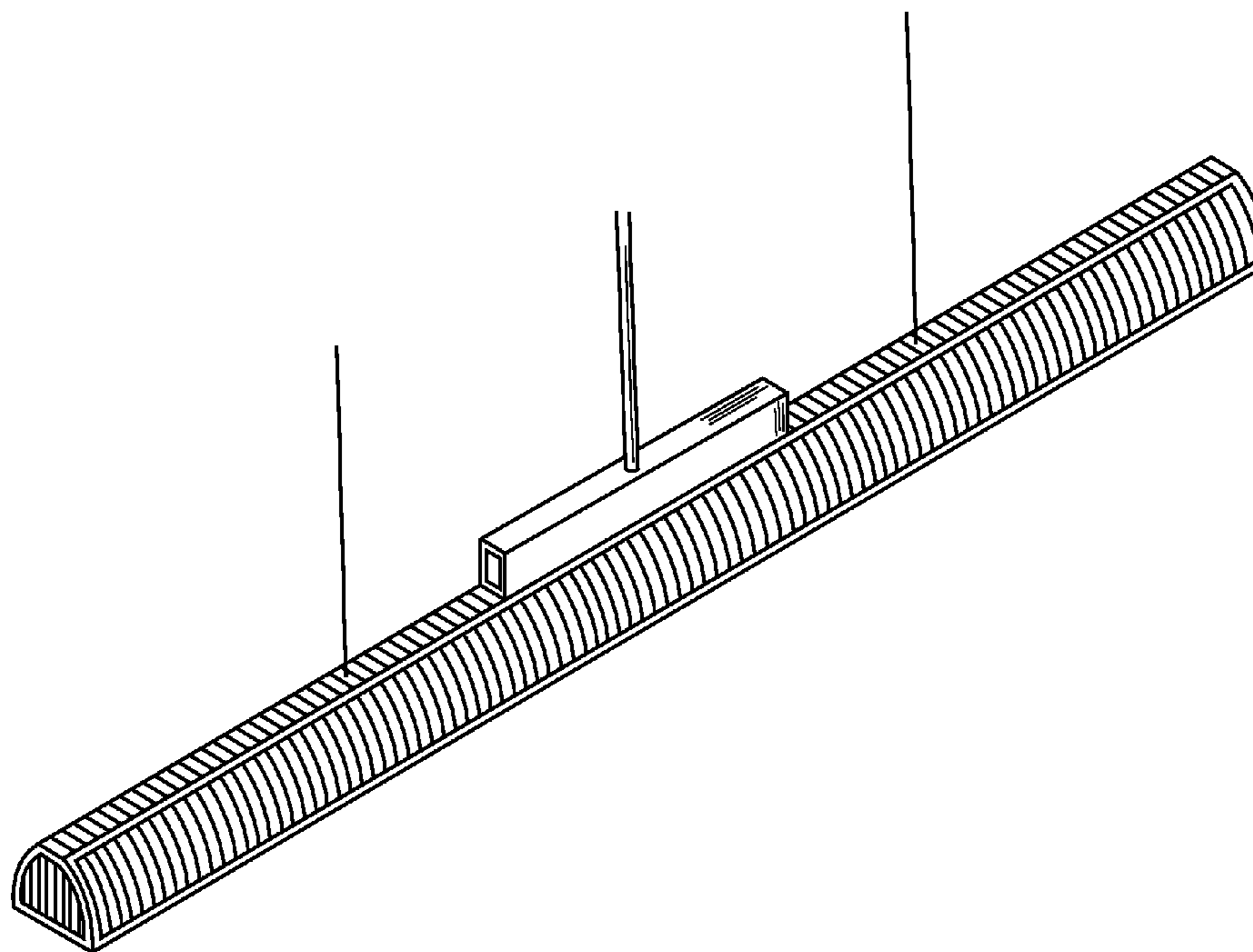
(57) **CLAIM**

The ornamental design for a pendant lamp, as shown and described.

DESCRIPTION

FIG. 1 is a perspective view of my new pendant lamp design; FIG. 2 is a bottom plan view thereof; FIG. 3 is a top plan view thereof; FIG. 4 is a front elevational view thereof; FIG. 5 is a rear elevational view thereof; FIG. 6 is a right side elevational view thereof; and, FIG. 7 is a left side elevational view thereof.

1 Claim, 2 Drawing Sheets



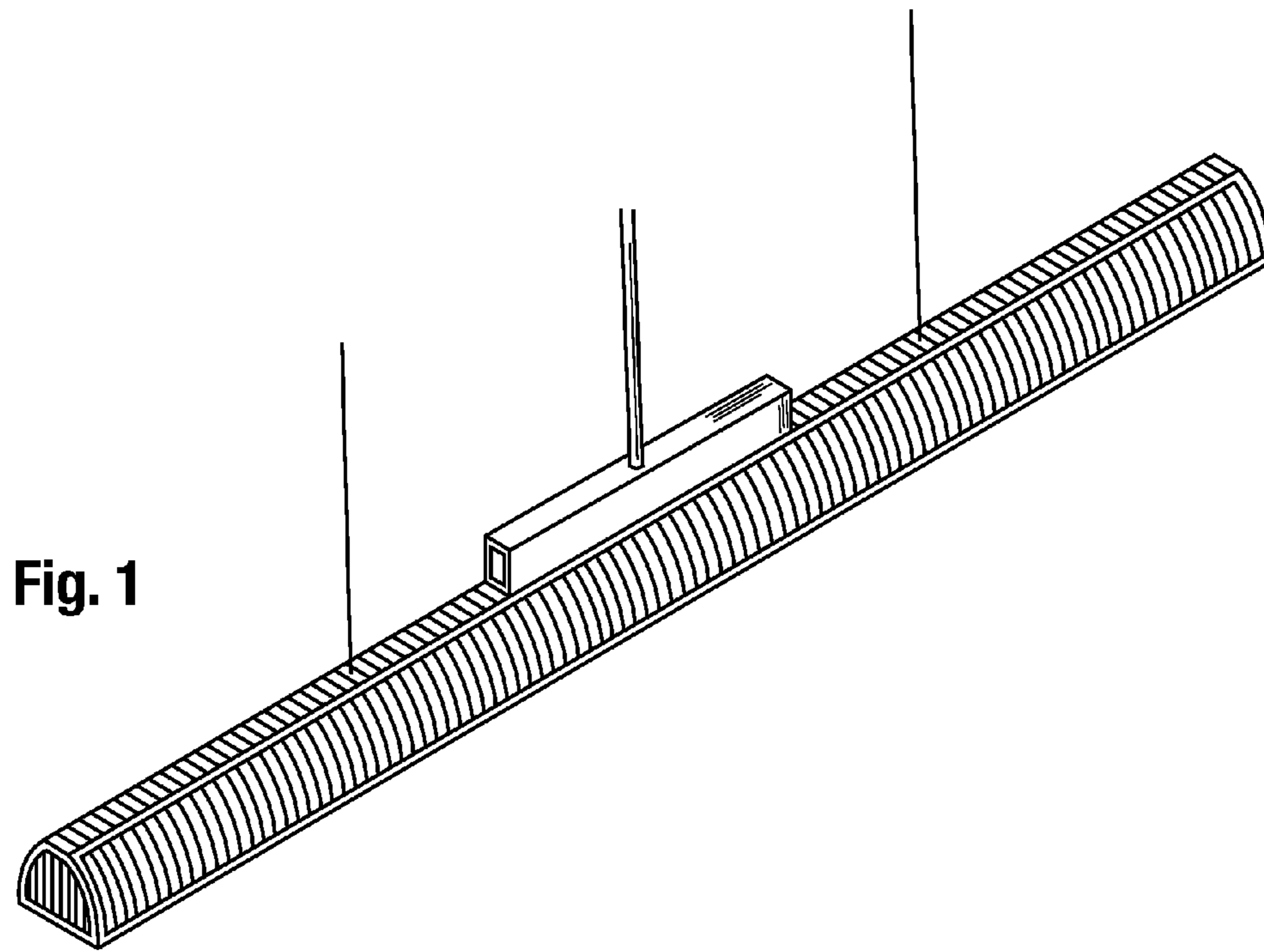


Fig. 1

Fig. 2

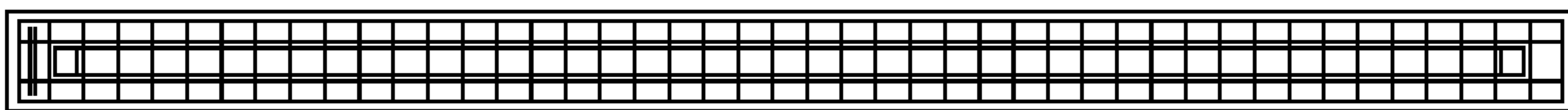


Fig. 3

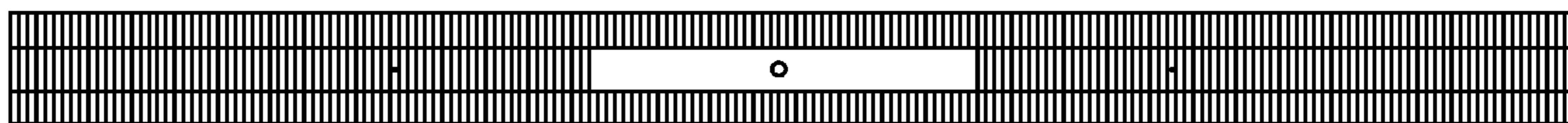


Fig. 4

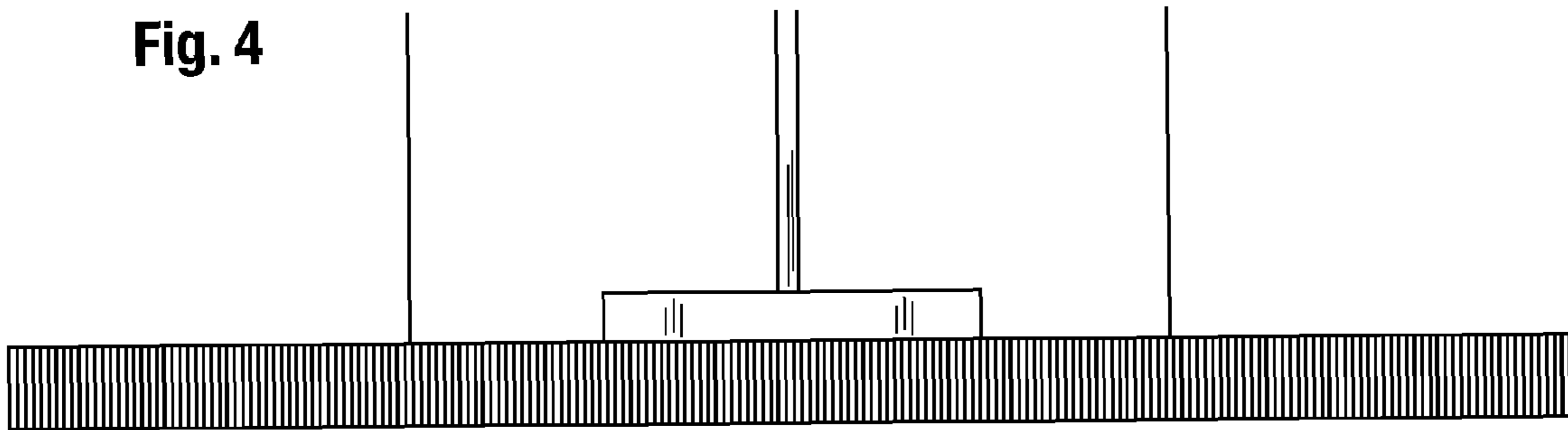


Fig. 5

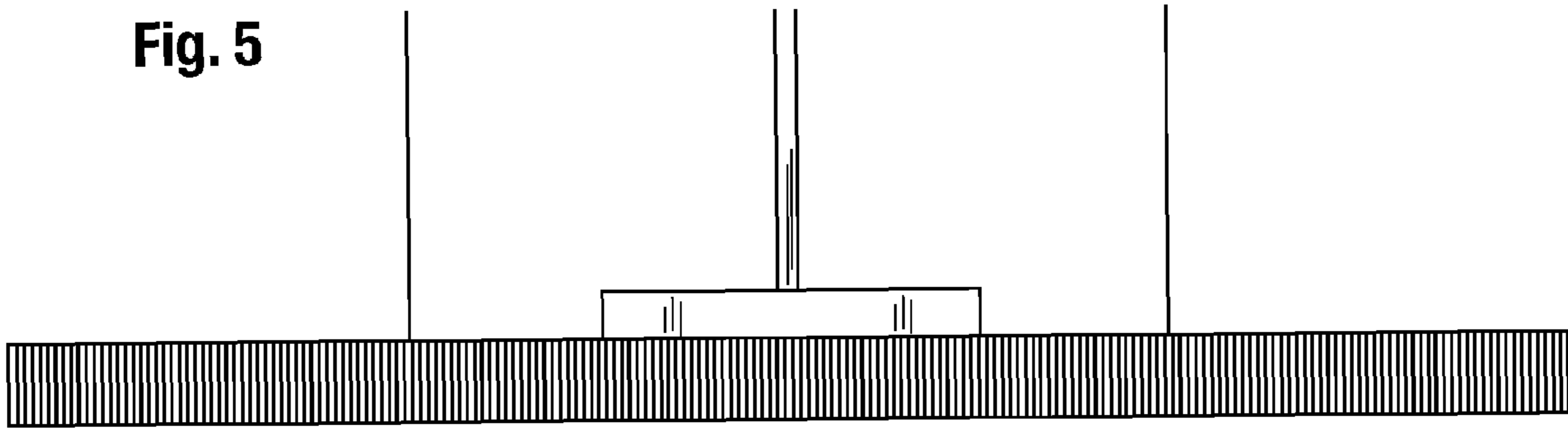


Fig. 6

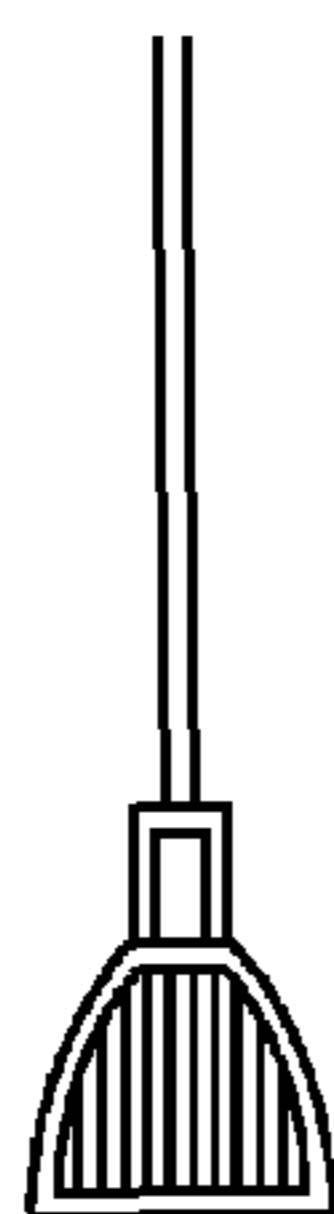


Fig. 7

