



US00D558378S

(12) **United States Design Patent**
Rashidi

(10) **Patent No.:** **US D558,378 S**

(45) **Date of Patent:** **** Dec. 25, 2007**

(54) **SHALLOW RECESSED LIGHTING FIXTURE WITH AN INTEGRAL TRANSFORMER TO BE USED IN A REMODELING APPLICATION**

6,364,511 B1 * 4/2002 Cohen 362/368
6,505,960 B2 * 1/2003 Schubert et al. 362/365
7,018,070 B2 * 3/2006 McCoy 362/260

(76) Inventor: **Hamid Rashidi**, 139 N. Clark Dr., Beverly Hills, CA (US) 90211

* cited by examiner

(**) Term: **14 Years**

Primary Examiner—Catherine R. Oliver

Assistant Examiner—Susan E Krakower

(74) *Attorney, Agent, or Firm*—Thomas I. Rozsa

(21) Appl. No.: **29/270,860**

(57) **CLAIM**

(22) Filed: **Jan. 4, 2007**

The ornamental design for a shallow recessed lighting fixture with an integral transformer to be used in a remodeling application, as shown and described.

(51) **LOC (8) Cl.** **26-05**

(52) **U.S. Cl.** **D26/74**

(58) **Field of Classification Search** D26/67,
D26/72, 74–79, 81–92, 128; 362/147, 148–150,
362/217–225, 227, 260, 269, 282, 283, 347,
362/363–368, 294–297

DESCRIPTION

See application file for complete search history.

FIG. 1 is a perspective view of the a shallow recessed lighting fixture with an integral transformer to be used in a remodeling application, showing my design;

FIG. 2 is a top plan view;

FIG. 3 is a bottom plan view;

FIG. 4 is a front elevational view when viewed from the left side.

FIG. 5 is a rear elevational view when viewed from the right side;

FIG. 6 is a right end view; and,

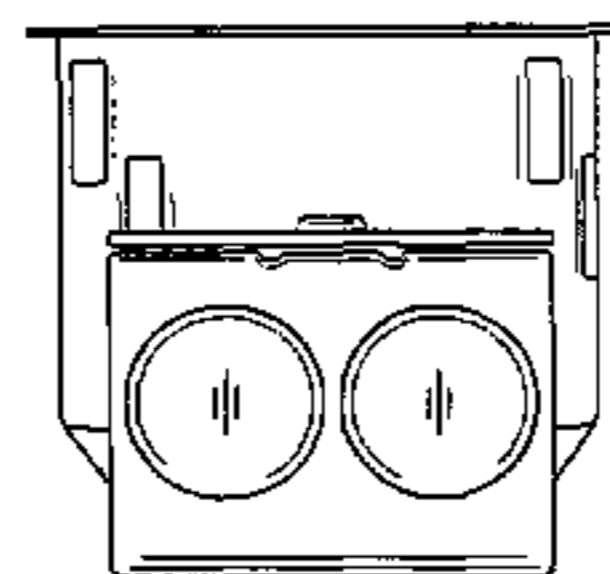
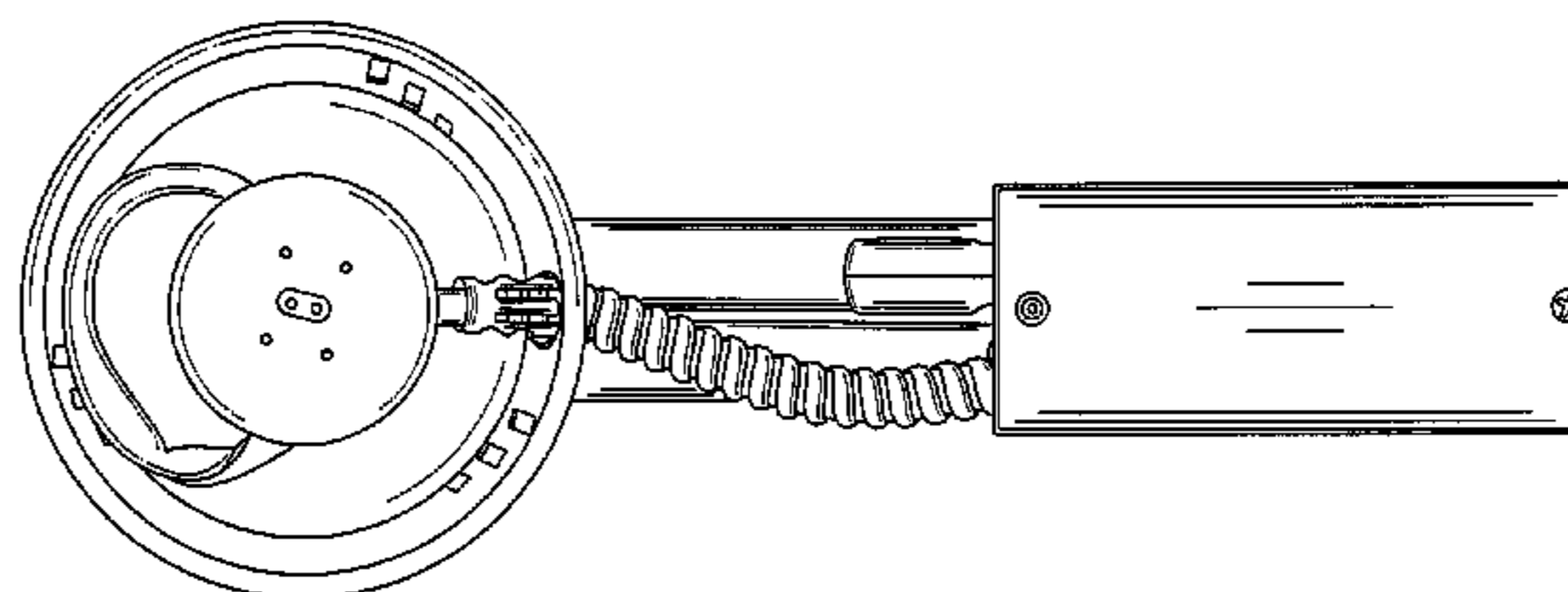
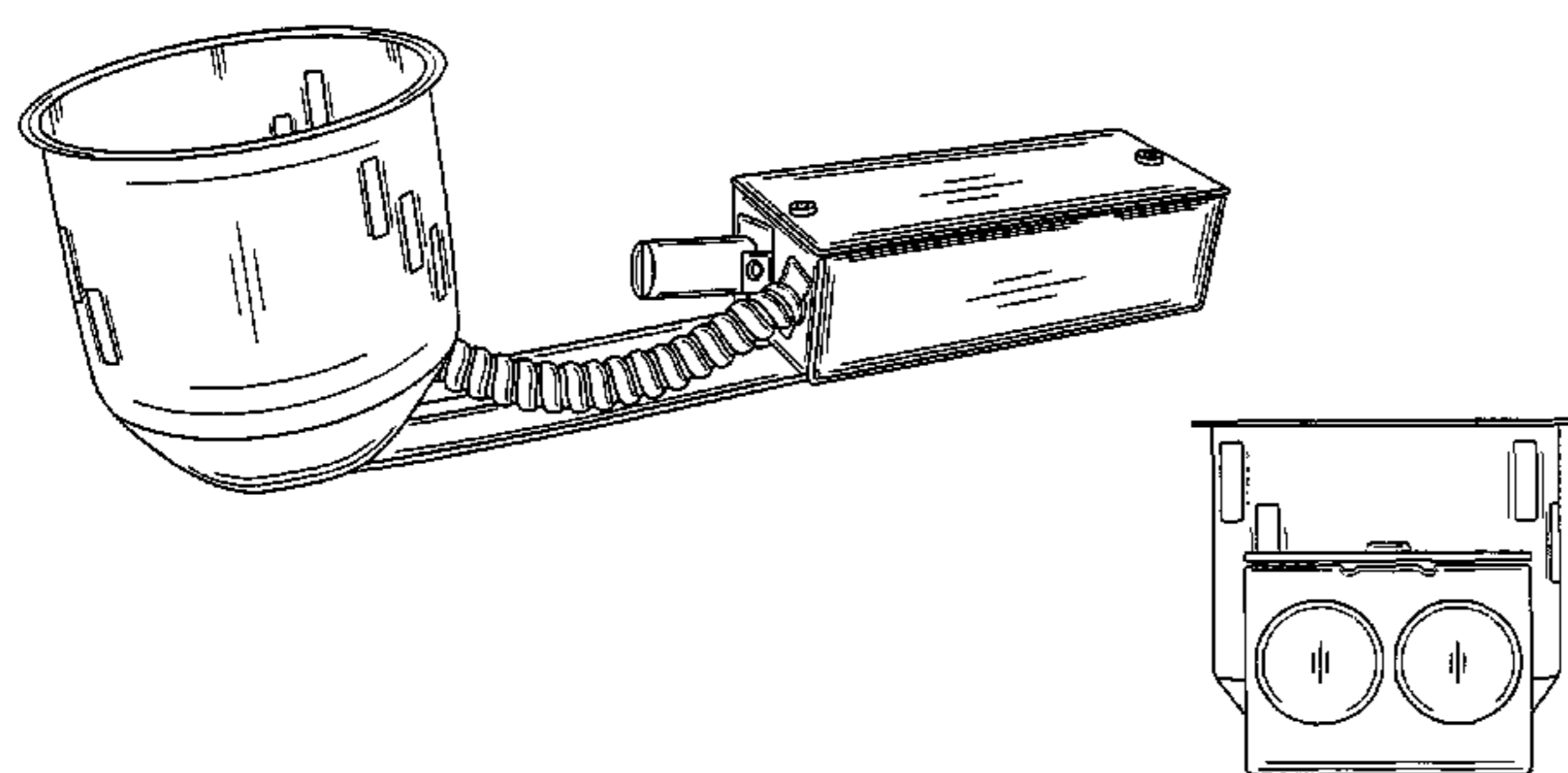
FIG. 7 is a left end view.

(56) **References Cited**

U.S. PATENT DOCUMENTS

4,754,377 A * 6/1988 Wenman 362/148
D298,863 S * 12/1988 Tharp et al. D26/88
D299,070 S * 12/1988 Tharp et al. D26/88
5,068,772 A * 11/1991 Shapiro et al. 362/365
5,314,148 A * 5/1994 Jones 248/27.3
D384,431 S * 9/1997 Bitton D26/74
5,664,869 A * 9/1997 Bitton 362/147
D437,654 S * 2/2001 Chen D26/74
6,254,257 B1 * 7/2001 Sieczkowski 362/365

1 Claim, 6 Drawing Sheets



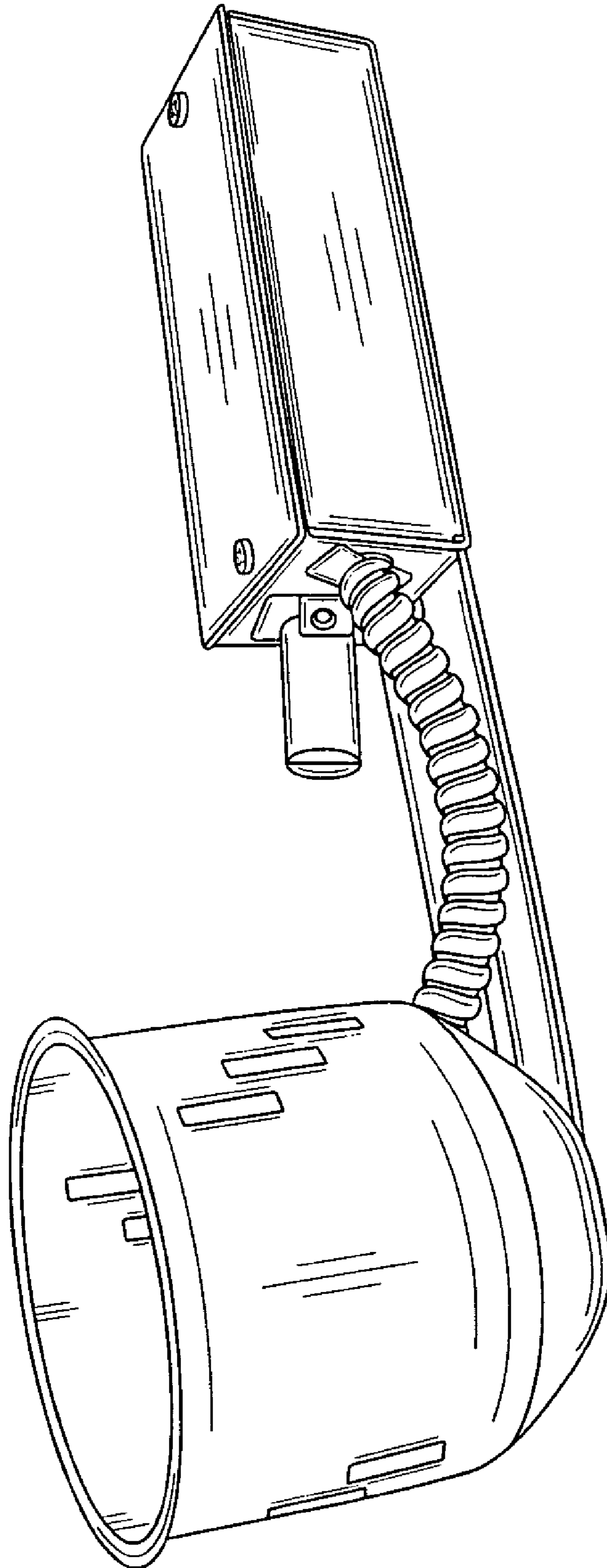


FIG. 1

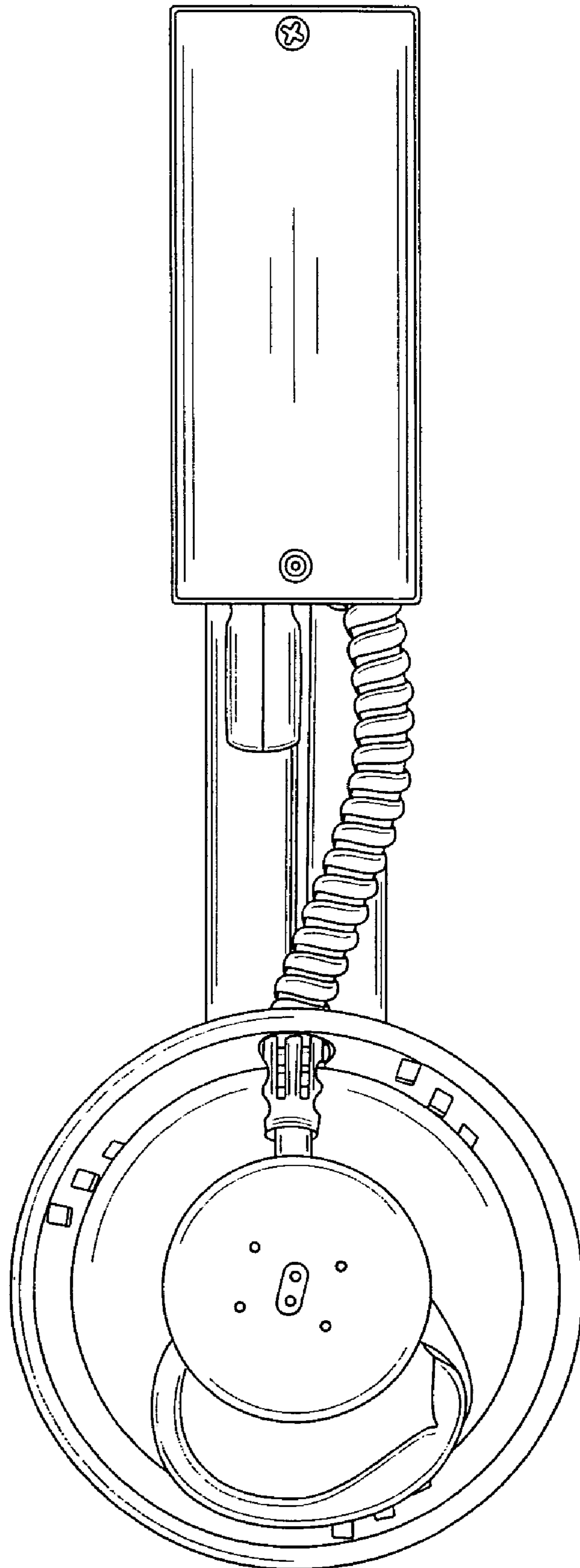


FIG. 2

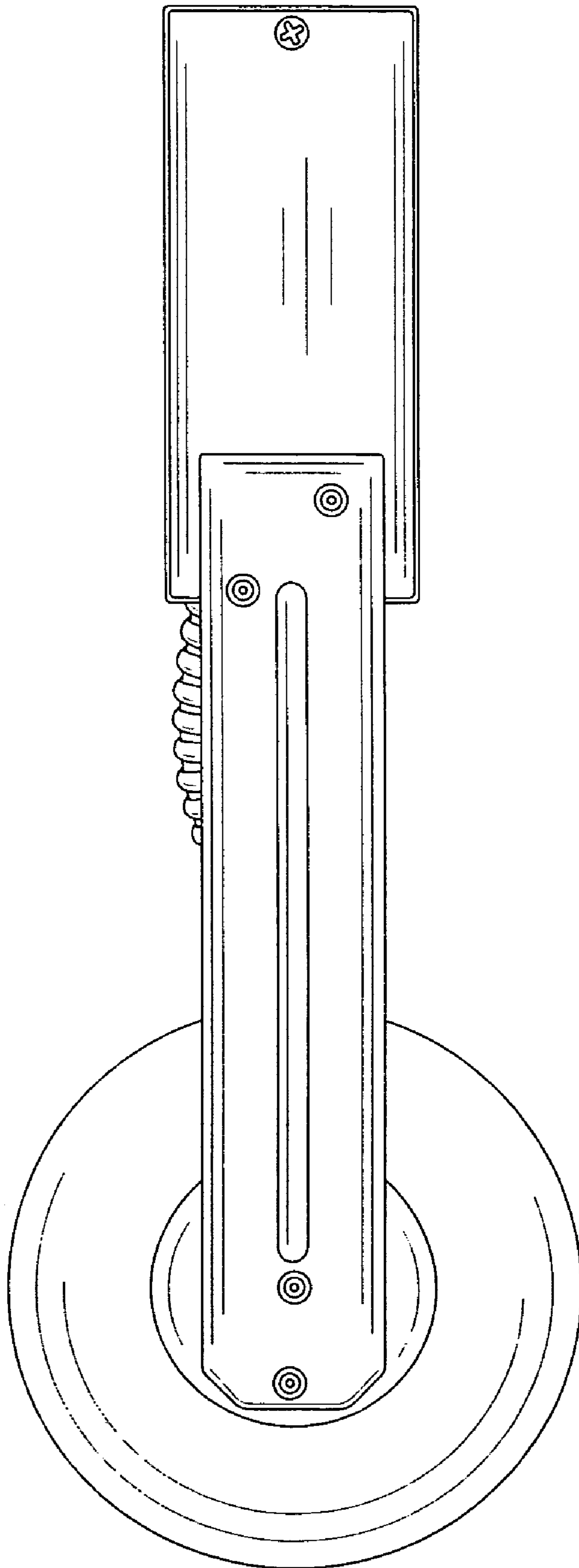


FIG. 3

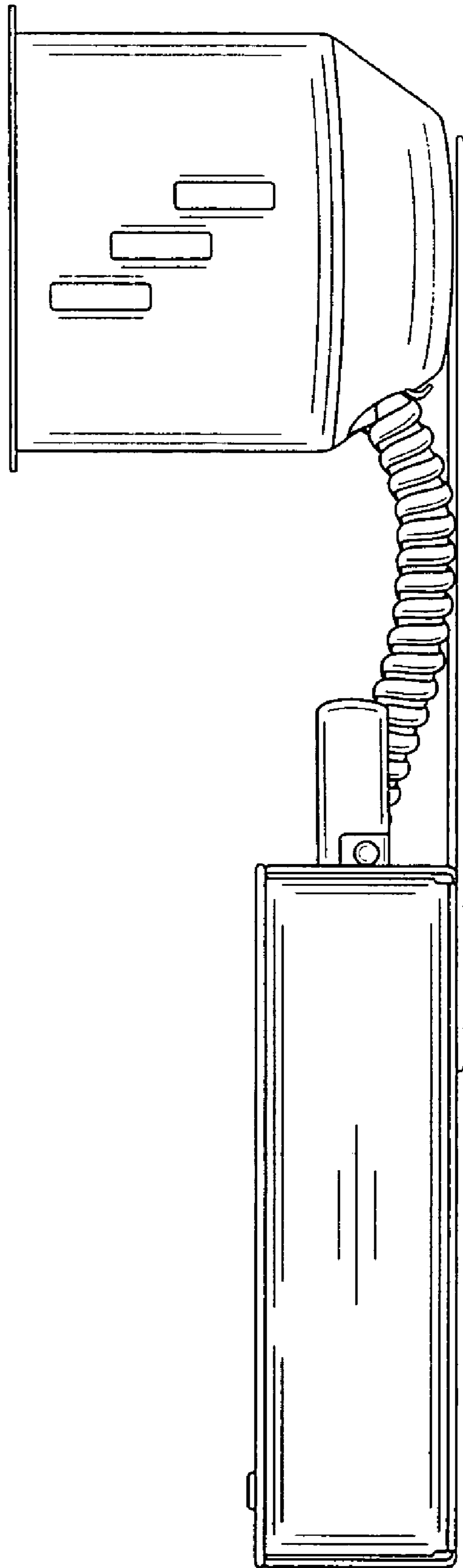


FIG. 4

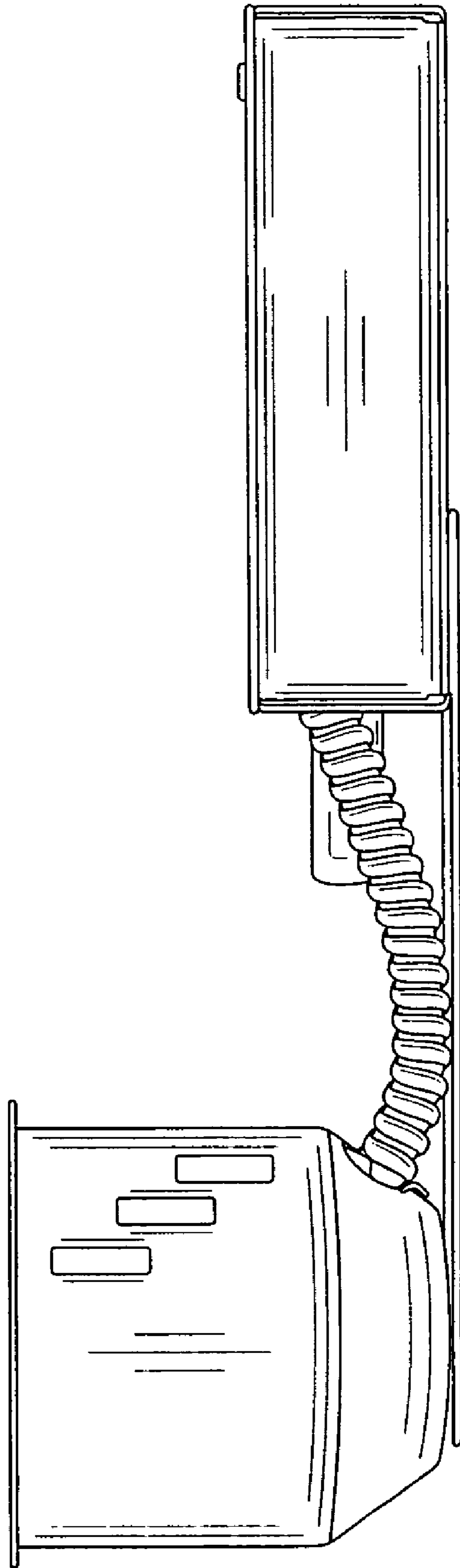


FIG. 5

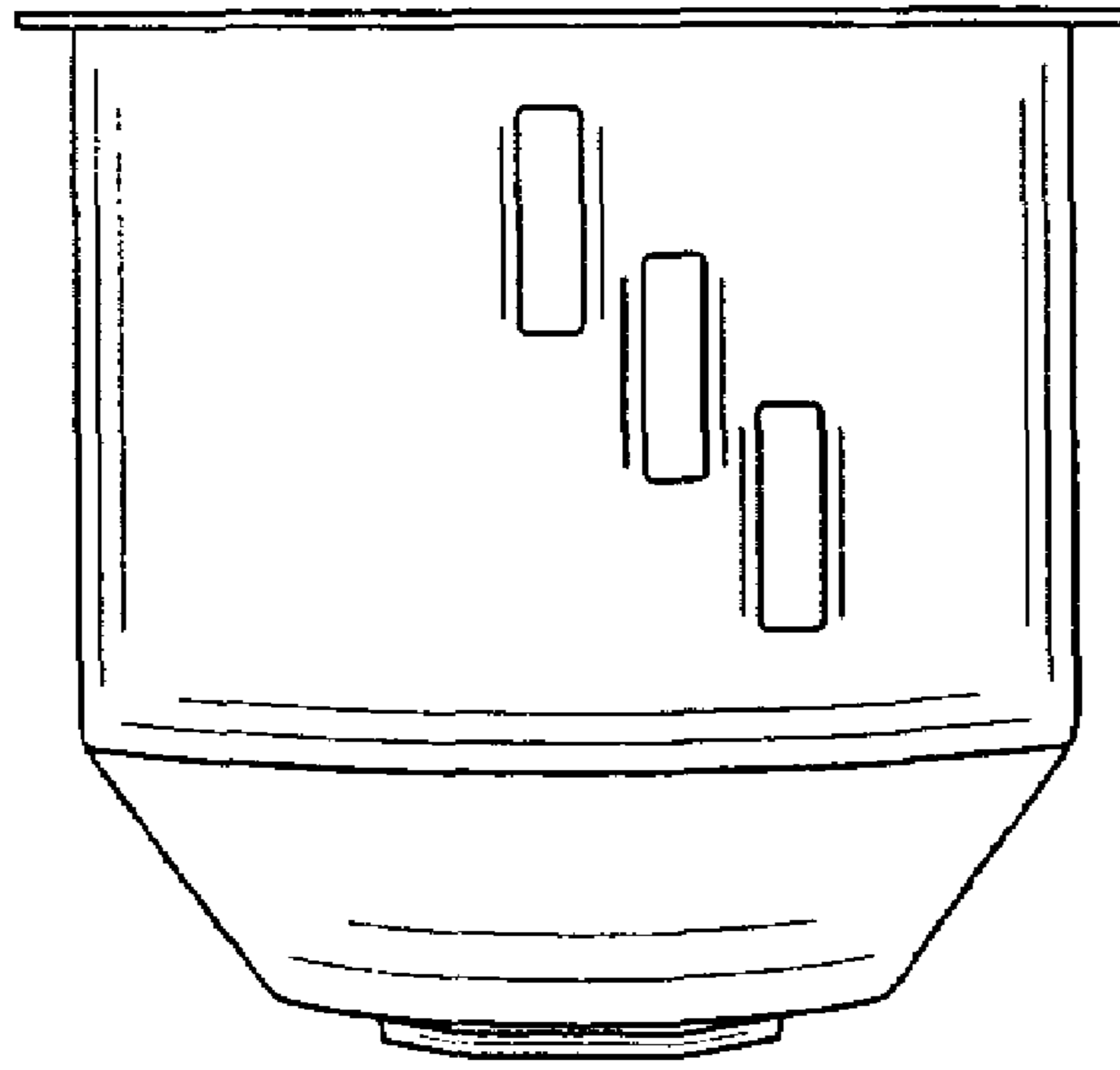


FIG. 6

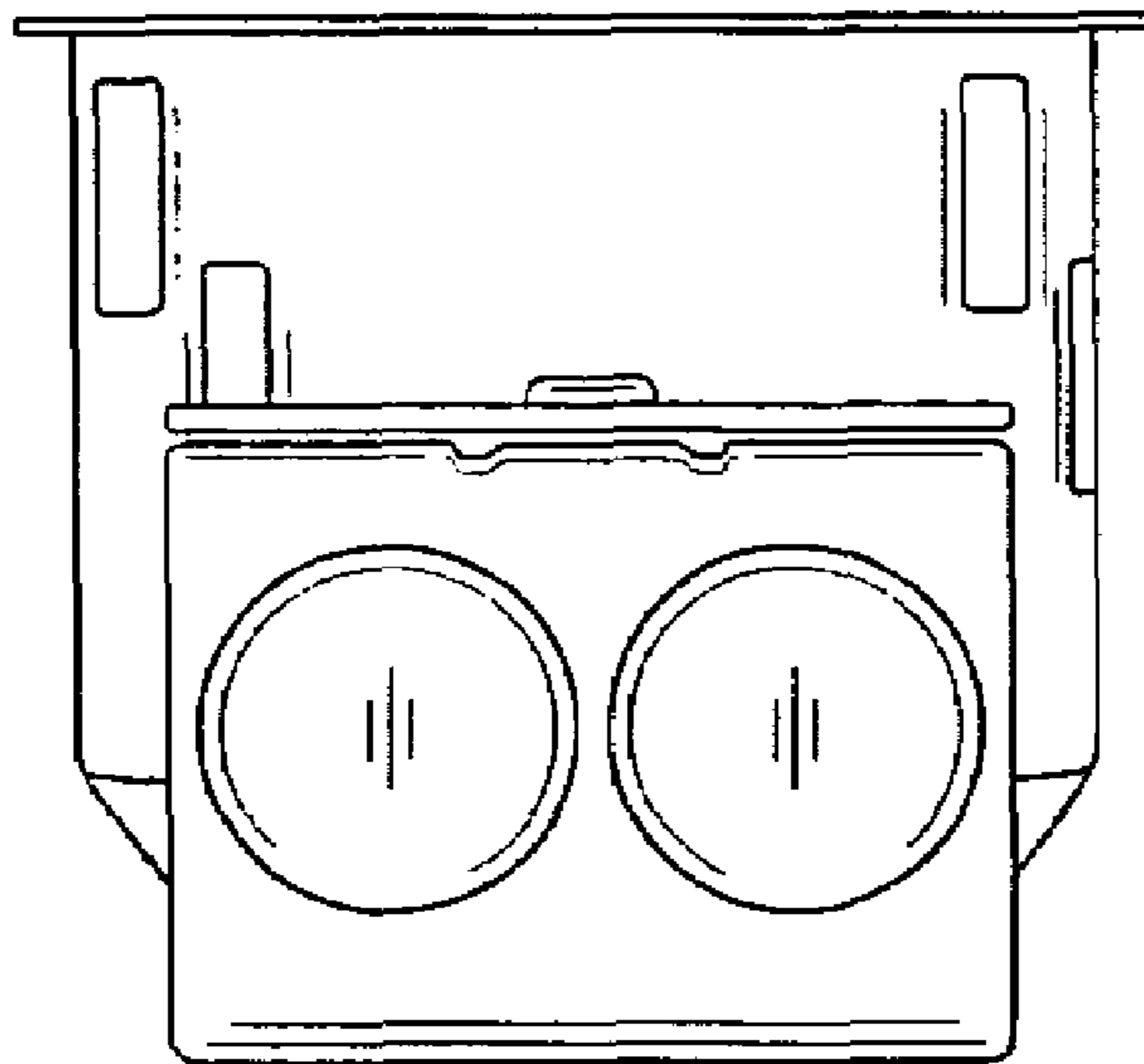


FIG. 7