



US00D558377S

(12) **United States Design Patent**  
**Rashidi**

(10) **Patent No.:** **US D558,377 S**

(45) **Date of Patent:** **\*\* Dec. 25, 2007**

(54) **SHALLOW RECESSED LIGHTING FIXTURE WITH AN INTEGRAL TRANSFORMER AND SELF-CONTAINED CLIPS USED IN A REMODELING APPLICATION**

6,364,511 B1 \* 4/2002 Cohen ..... 362/368  
6,505,960 B2 \* 1/2003 Schubert et al. .... 362/365  
7,018,070 B2 \* 3/2006 McCoy ..... 362/260

\* cited by examiner

(76) Inventor: **Hamid Rashidi**, 139 N. Clark Dr., Beverly Hills, CA (US) 90211

*Primary Examiner*—Catherine R. Oliver

*Assistant Examiner*—Susan E Krakower

(\*\*) Term: **14 Years**

(74) *Attorney, Agent, or Firm*—Thomas I. Rozsa

(21) Appl. No.: **29/270,859**

(57) **CLAIM**

(22) Filed: **Jan. 4, 2007**

The ornamental design for a shallow recessed lighting fixture with an integral transformer and self-contained clips used in a remodeling application, as shown and described.

(51) **LOC (8) Cl.** ..... **26-05**

(52) **U.S. Cl.** ..... **D26/74**

(58) **Field of Classification Search** ..... D26/67,  
D26/72, 74–79, 81–92, 128; 362/147, 148–150,  
362/217–225, 227, 260, 269, 282, 283, 347,  
362/363–368, 294–297

**DESCRIPTION**

See application file for complete search history.

FIG. 1 is a perspective view of the a shallow recessed lighting fixture with an integral transformer and self-contained clips used in a remodeling application, showing my design;

(56) **References Cited**

FIG. 2 is a top plan view;

**U.S. PATENT DOCUMENTS**

FIG. 3 is a bottom plan view;

4,754,377 A \* 6/1988 Wenman ..... 362/148  
D298,863 S \* 12/1988 Tharp et al. .... D26/88  
D299,070 S \* 12/1988 Tharp et al. .... D26/88  
5,068,772 A \* 11/1991 Shapiro et al. .... 362/365  
5,314,148 A \* 5/1994 Jones ..... 248/27.3  
D384,431 S \* 9/1997 Bitton ..... D26/74  
5,664,869 A \* 9/1997 Bitton ..... 362/147  
D437,654 S \* 2/2001 Chen ..... D26/74  
6,254,257 B1 \* 7/2001 Sieczkowski ..... 362/365

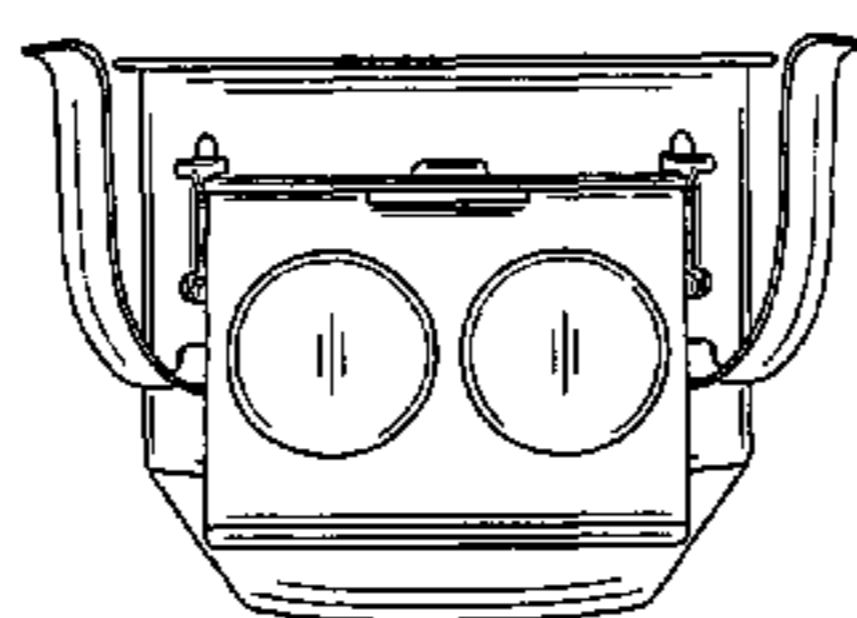
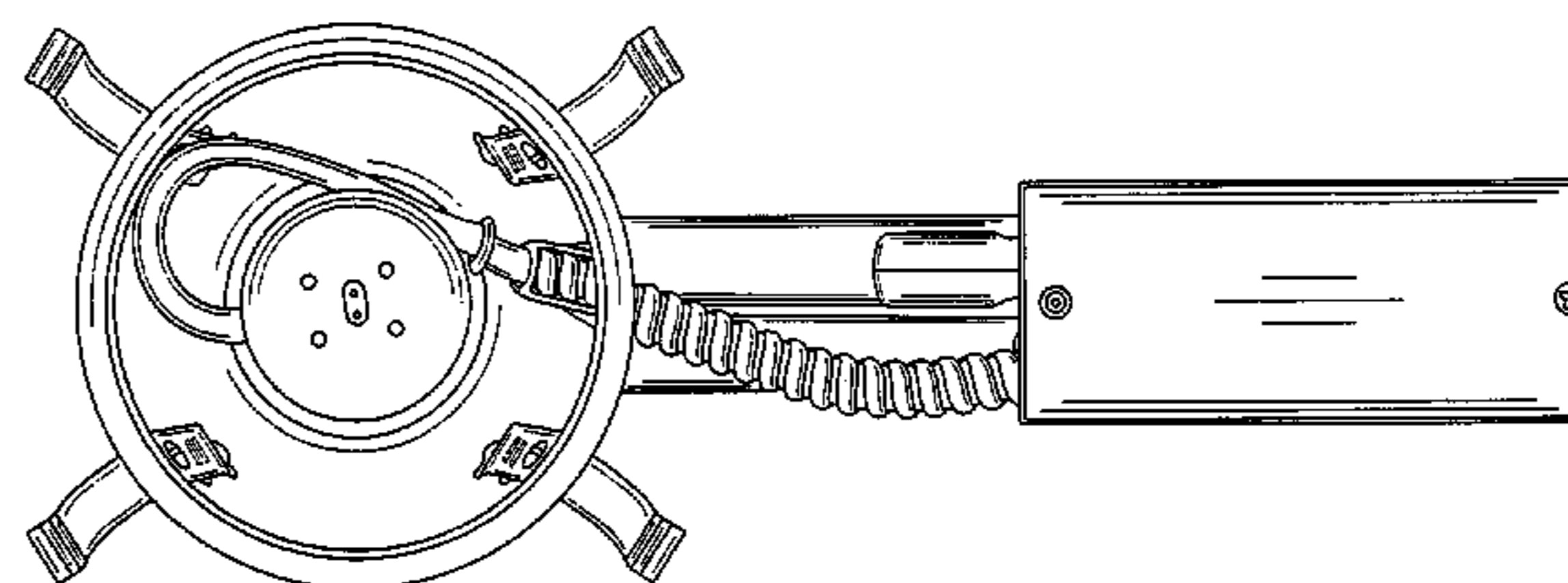
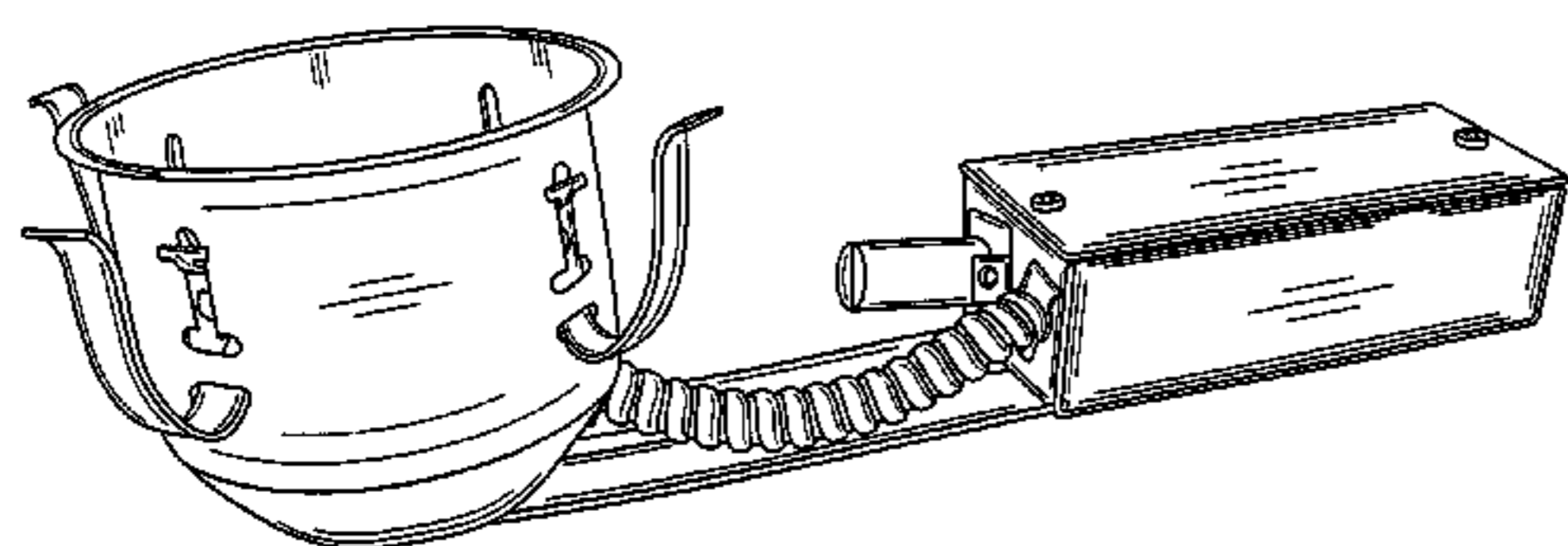
FIG. 4 is a front elevational view when viewed from the left side.

FIG. 5 is a rear elevational view when viewed from the right side;

FIG. 6 is a right end view; and,

FIG. 7 is a left end view.

**1 Claim, 6 Drawing Sheets**



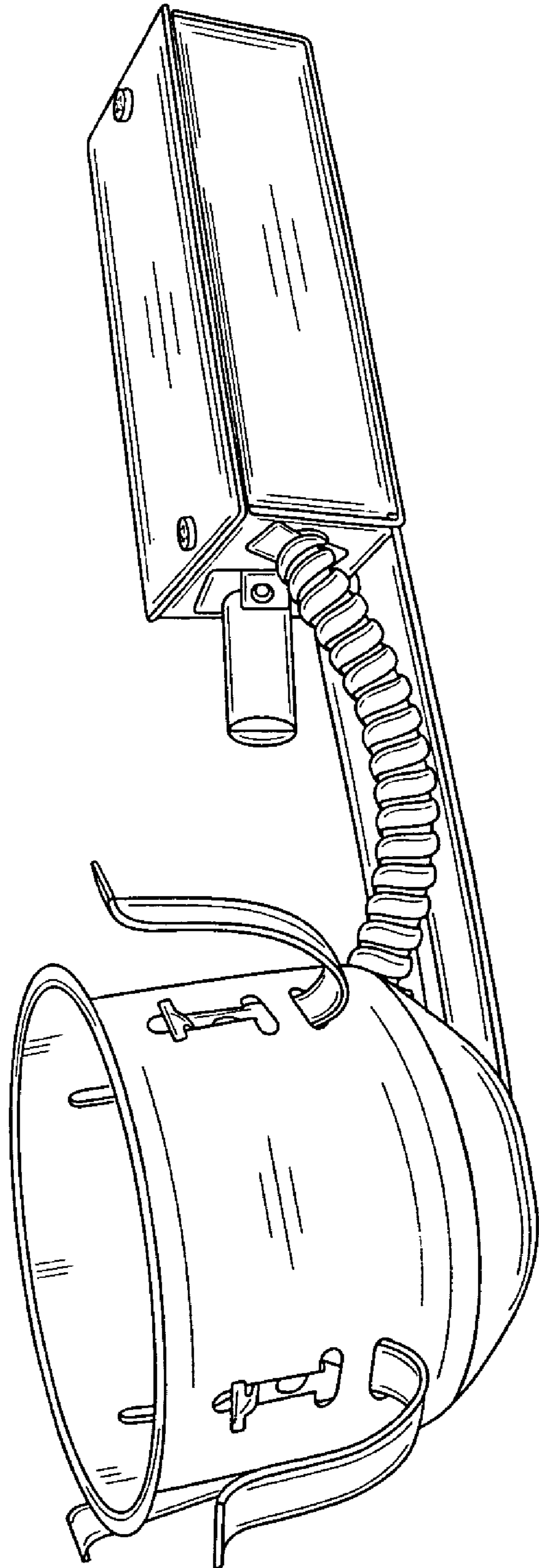


FIG. 1

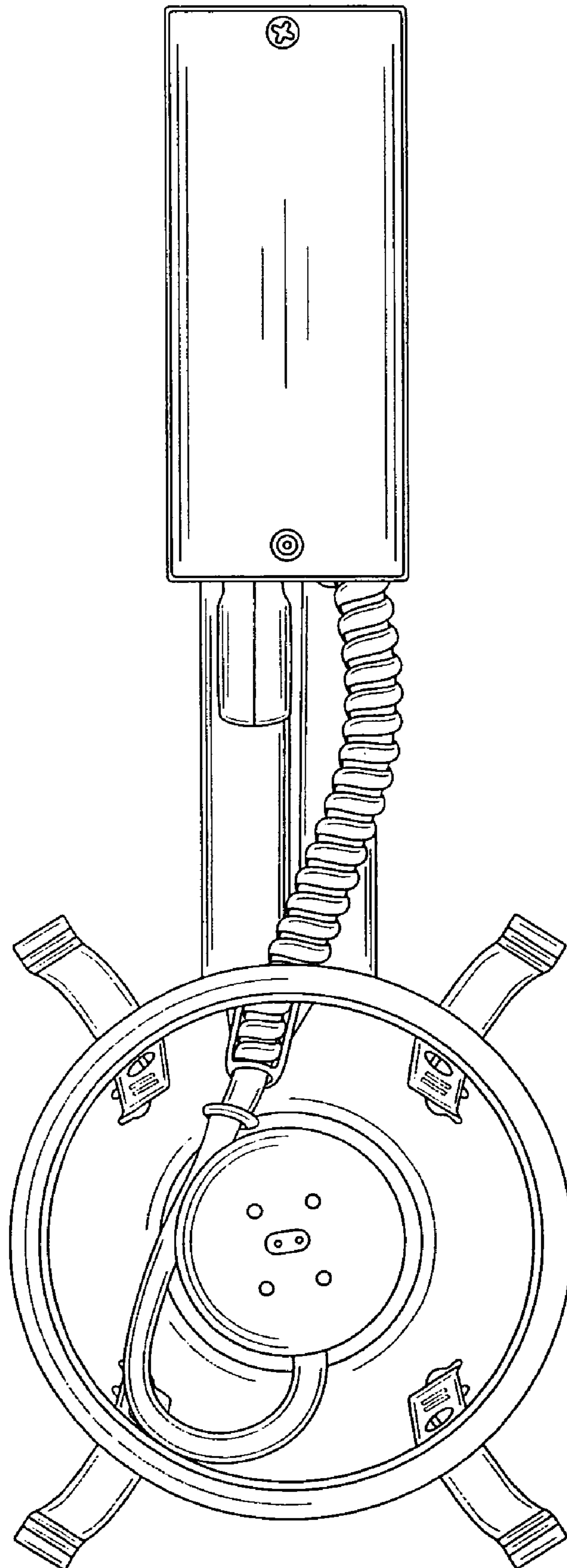


FIG. 2

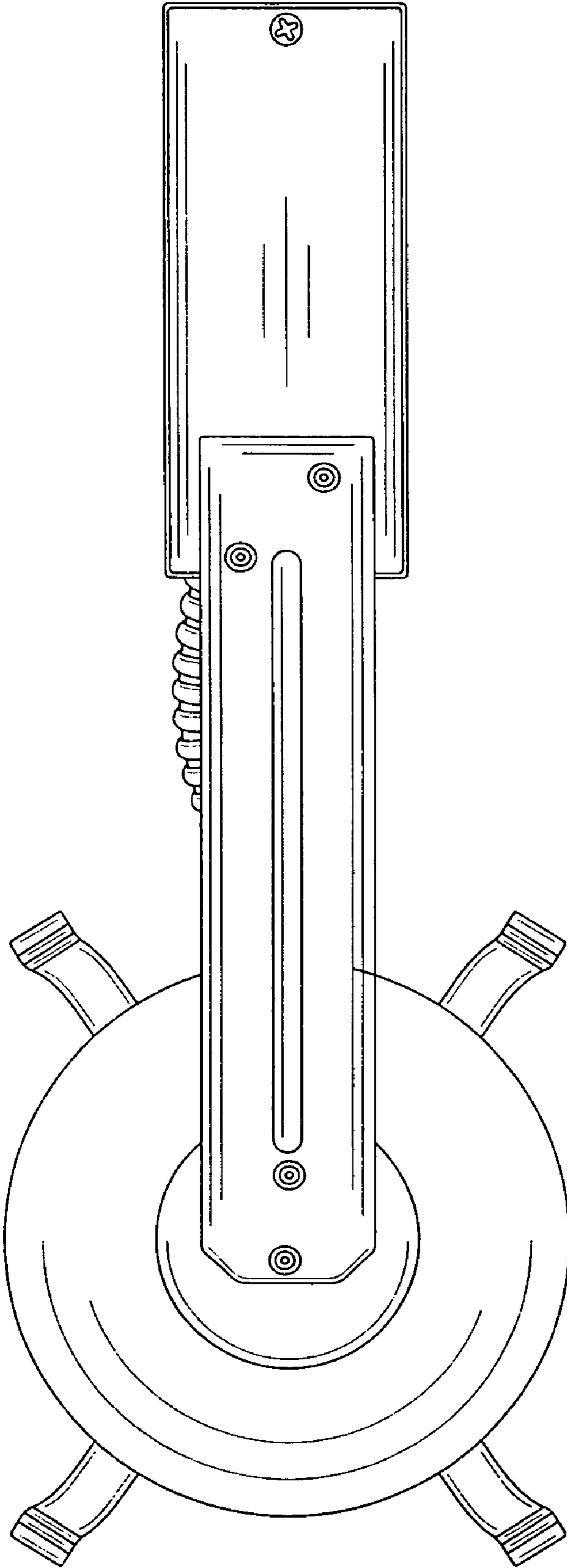


FIG. 3

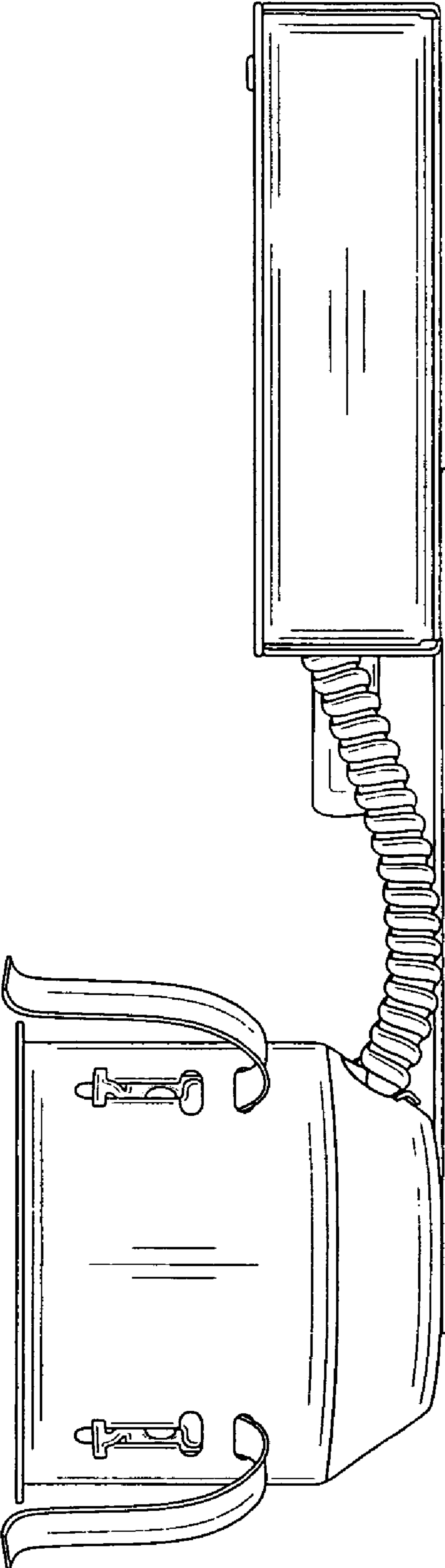


FIG. 4

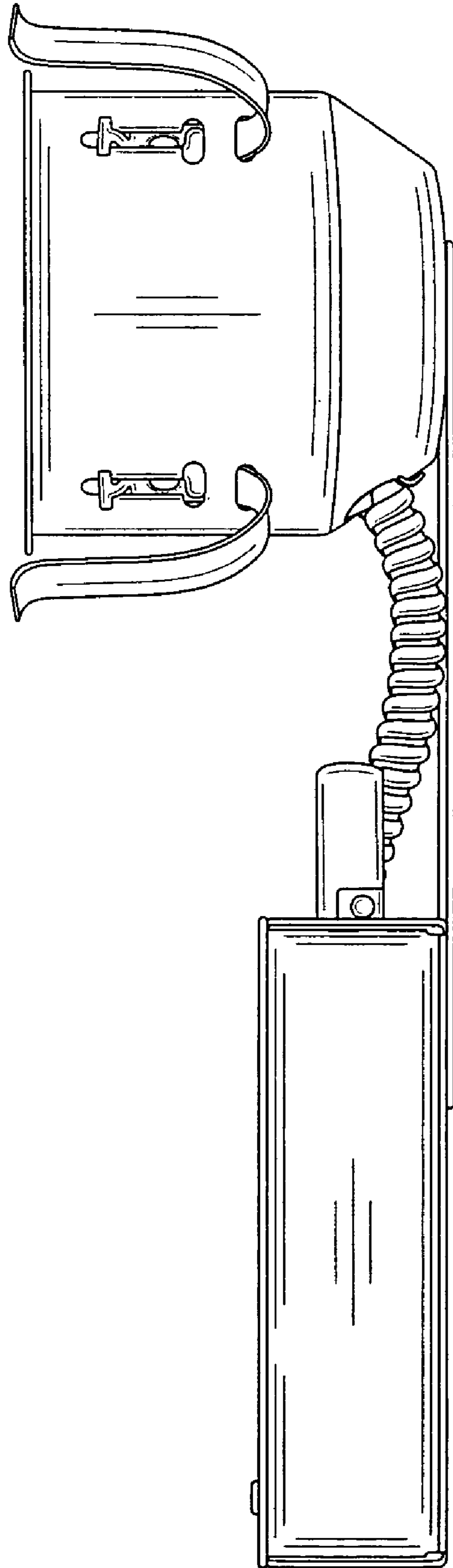


FIG. 5



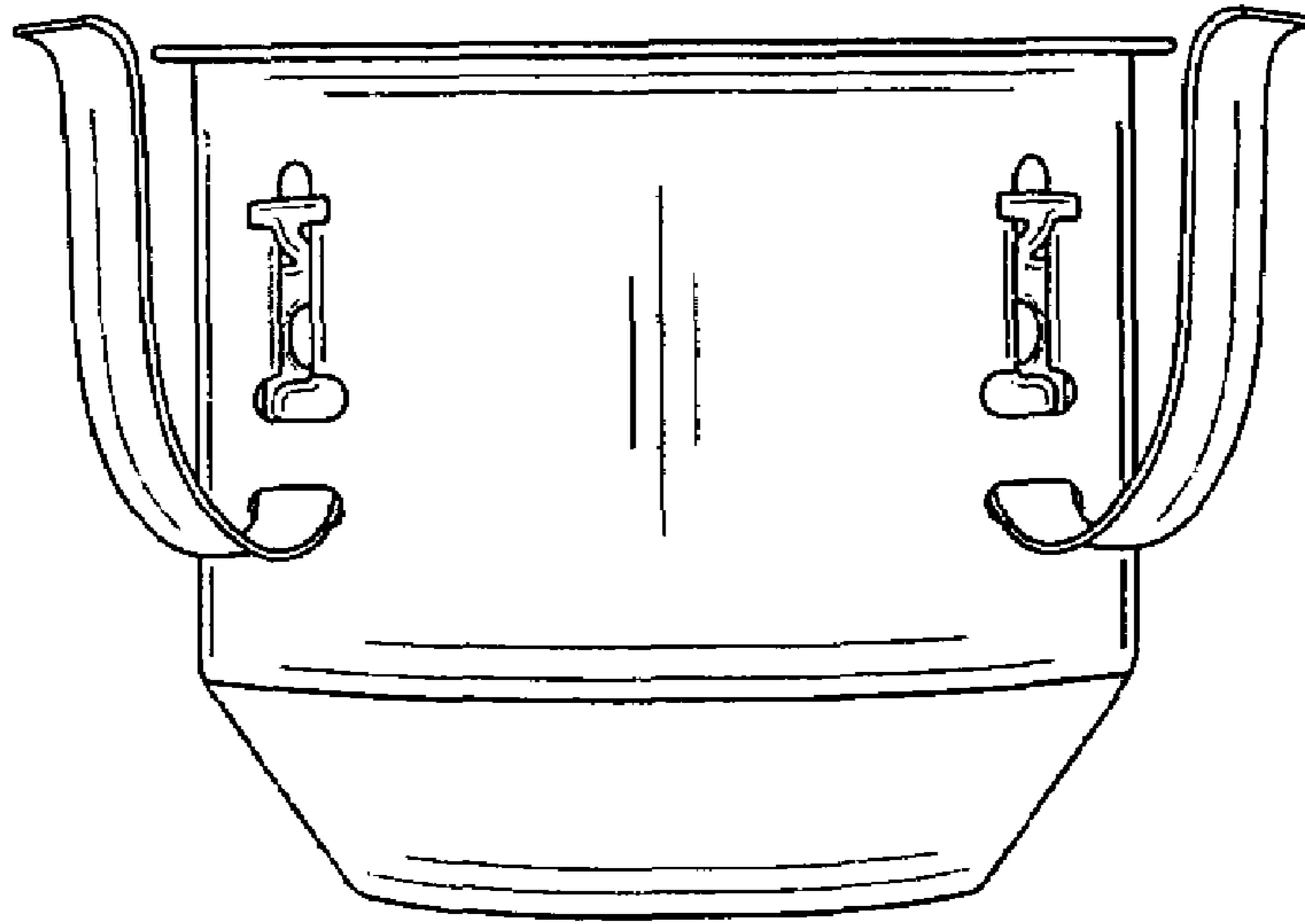


FIG. 6

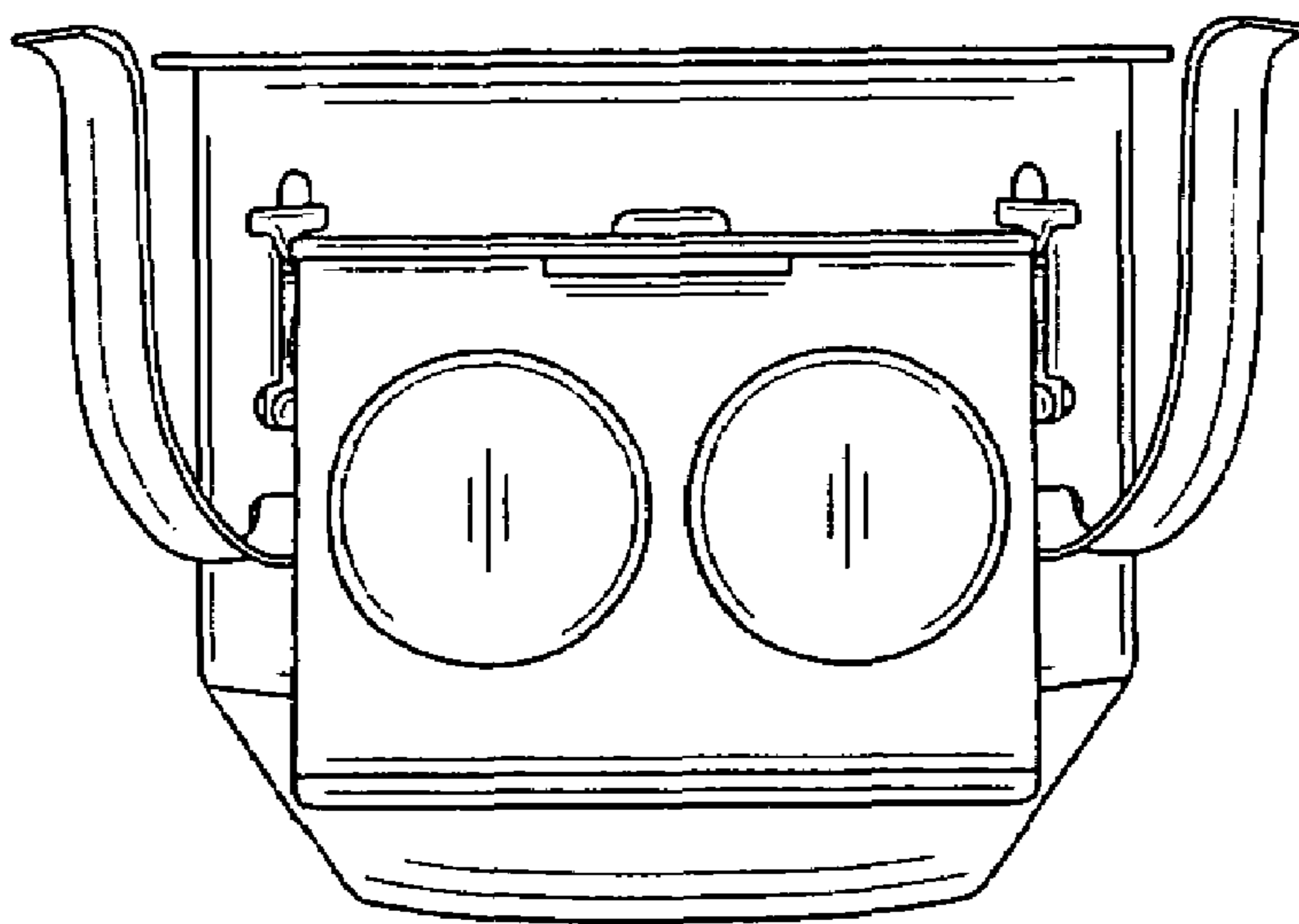


FIG. 7