

US00D558375S

(12) **United States Design Patent**
Sandell

(10) **Patent No.:** **US D558,375 S**

(45) **Date of Patent:** **** Dec. 25, 2007**

(54) **YARD LIGHT WITH CYLINDRICAL SHADE**

(75) Inventor: **Donald R. Sandell**, San Jose, CA (US)

(73) Assignee: **EML Technologies LLC**, Danville, CA (US)

(**) Term: **14 Years**

(21) Appl. No.: **29/277,024**

(22) Filed: **Feb. 10, 2007**

(51) **LOC (8) Cl.** **26-05**
(52) **U.S. Cl.** **D26/71**
(58) **Field of Classification Search** D26/67,
D26/68, 70, 71, 87, 92; 362/147, 370, 431
See application file for complete search history.

(56) **References Cited**

U.S. PATENT DOCUMENTS

D130,671	S	*	12/1941	Wince	D26/71
2,699,515	A	*	1/1955	Williams	362/308
D179,339	S	*	12/1956	Clark et al.	D26/71
D200,118	S	*	1/1965	Van Steenhoven	D26/71
D211,489	S	*	6/1968	Bernadotte	D26/87
4,152,757	A		5/1979	Bilson		
4,595,971	A		6/1986	Dean		
D302,047	S		7/1989	Flannery et al.		
D313,483	S		1/1991	Blake		
5,329,438	A		7/1994	Thompson		
D358,226	S		5/1995	Osteen		
D400,280	S		10/1998	Leen		
5,823,665	A	*	10/1998	Braun	362/431
D407,843	S		4/1999	Leen		
D418,620	S	*	1/2000	Grossman	D26/71
D424,228	S		5/2000	Grossman		
D425,647	S		5/2000	Leen		
6,095,665	A		8/2000	Drake		
D447,590	S	*	9/2001	Raouf et al.	D26/71
6,322,234	B1		11/2001	Drake		
7,060,040	B2		6/2006	Farmer		

7,108,238 B2 9/2006 Gauci
D537,552 S * 2/2007 Monroe et al. D26/71

* cited by examiner

Primary Examiner—Clare E Heflin

(74) *Attorney, Agent, or Firm*—Elliot B. Aronson

(57) **CLAIM**

The ornamental design for a yard light with cylindrical shade, as shown and described.

DESCRIPTION

FIG. 1 is an overall perspective view of a yard light with cylindrical shade showing a first embodiment of my design; FIG. 2 is a front elevational view of the yard light of FIG. 1;

FIG. 3 is a rear elevational view of the yard light of FIG. 1; FIG. 4 is a right side elevational view of the yard light of FIG. 1, the left side being a mirror image;

FIG. 5 is a top plan view of the yard light of FIG. 1; and FIG. 6 is a bottom plan view of the yard light of FIG. 1.

FIG. 7 is an overall perspective view of a second embodiment of a yard light showing my design;

FIG. 8 is a front elevational view of the yard light embodiment of FIG. 7;

FIG. 9 is a rear elevational view of the yard light embodiment of FIG. 7;

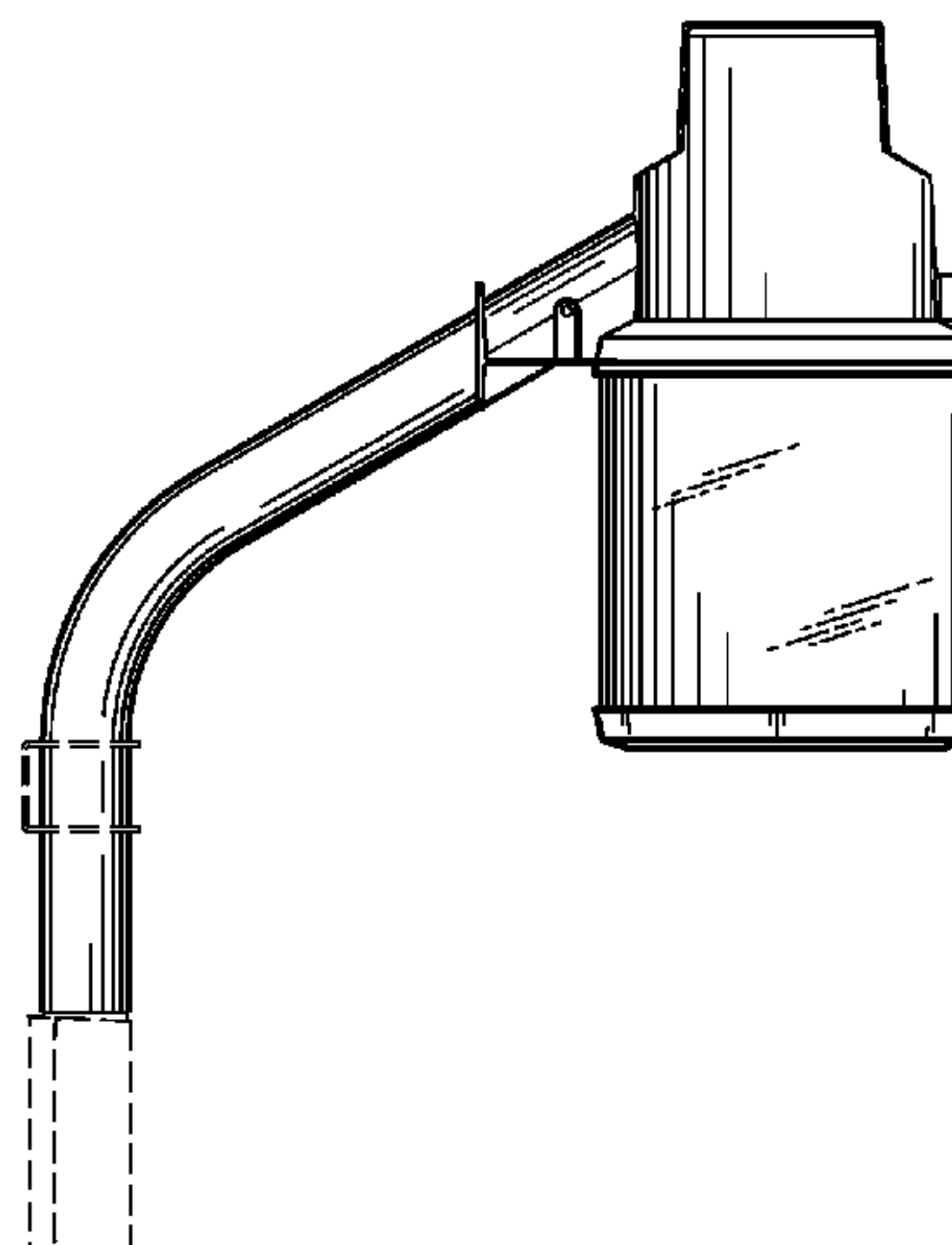
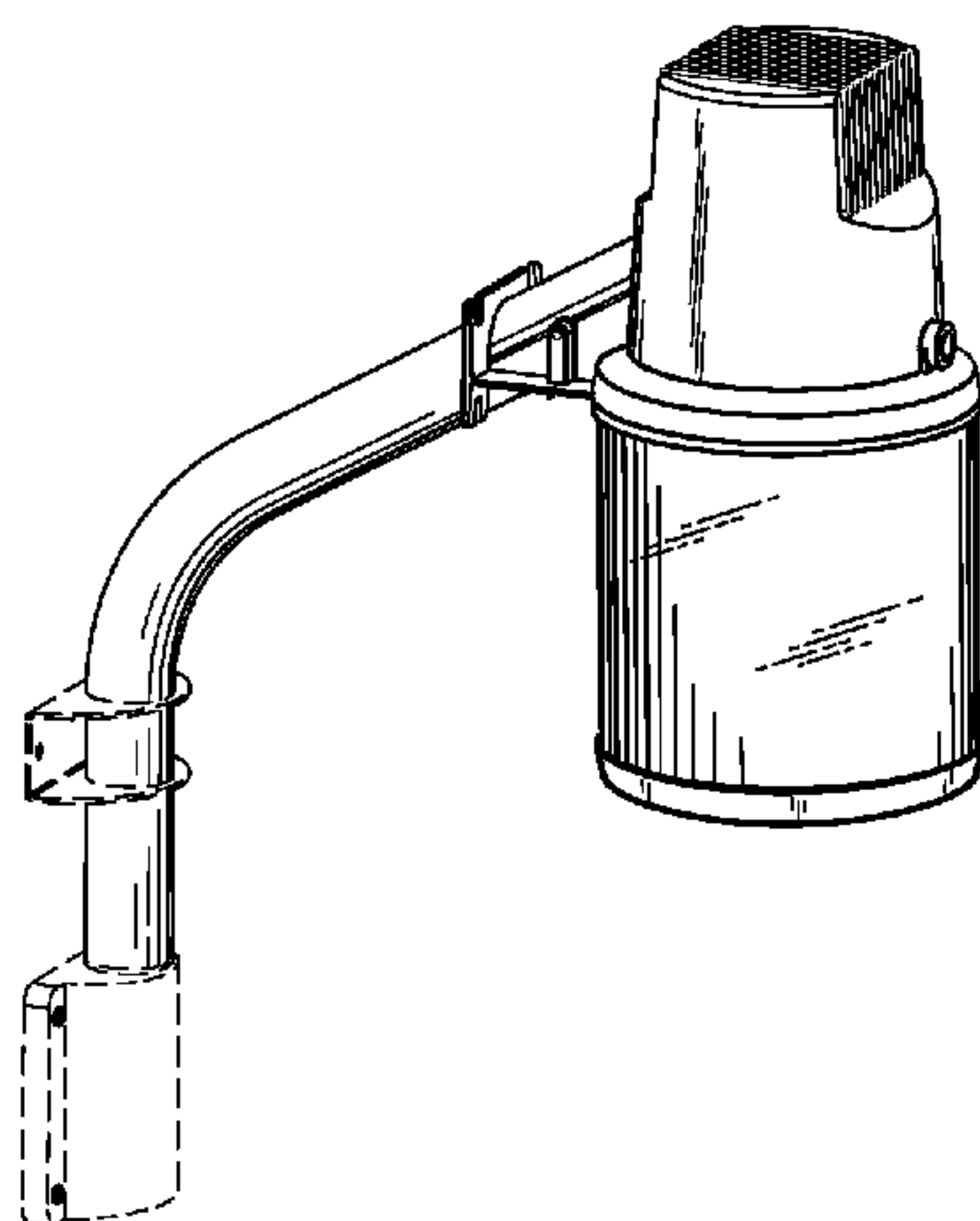
FIG. 10 is a top plan view of the yard light embodiment of FIG. 7;

FIG. 11 is a bottom plan view of the yard light embodiment of FIG. 7; and,

FIG. 12 is a right side elevational view of the yard light of FIG. 7, the left side being a mirror image.

The Figures all show portions in broken lines, which are indicated for illustrative purposes only and do not form part of the claimed design.

1 Claim, 5 Drawing Sheets



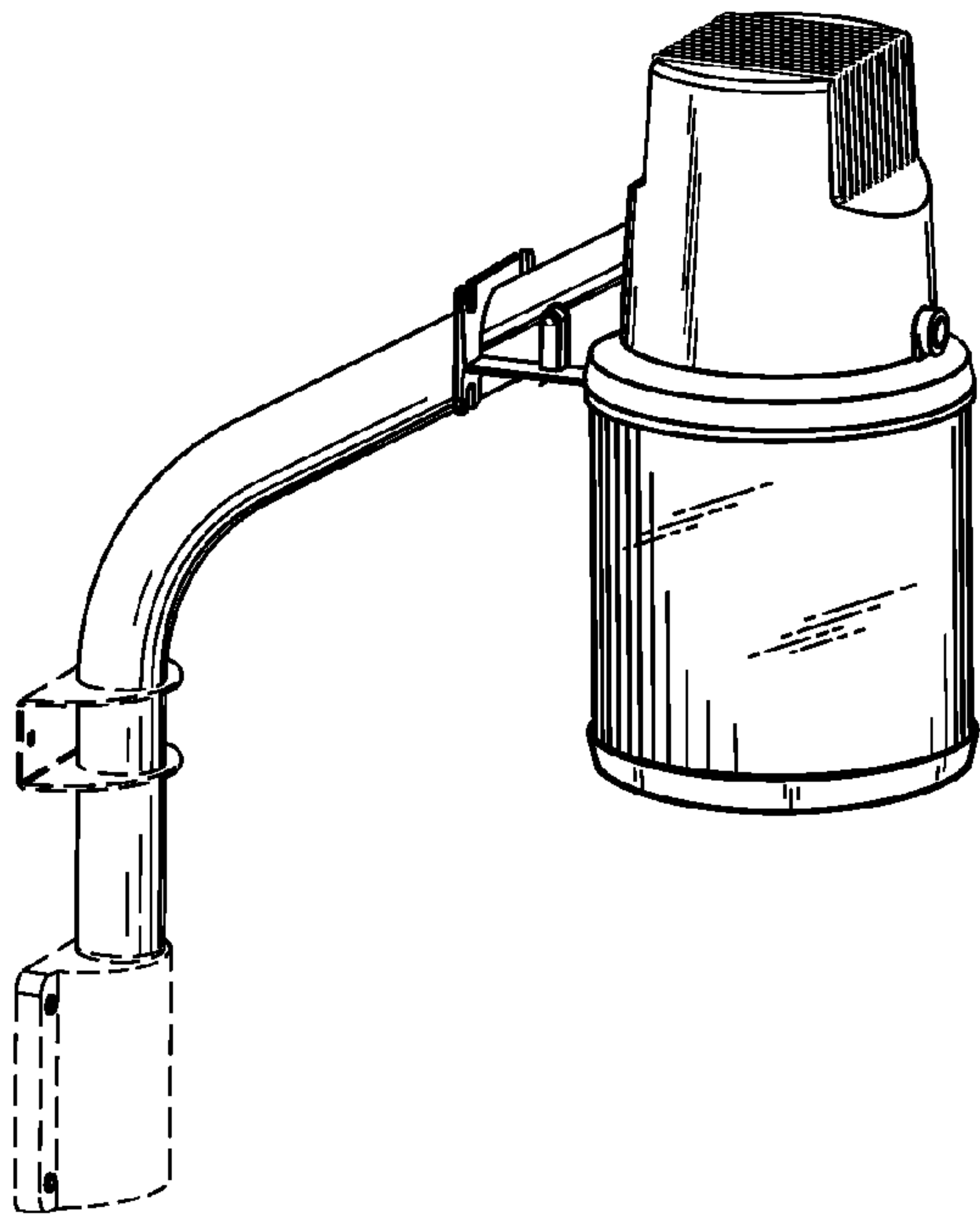


FIG. 1

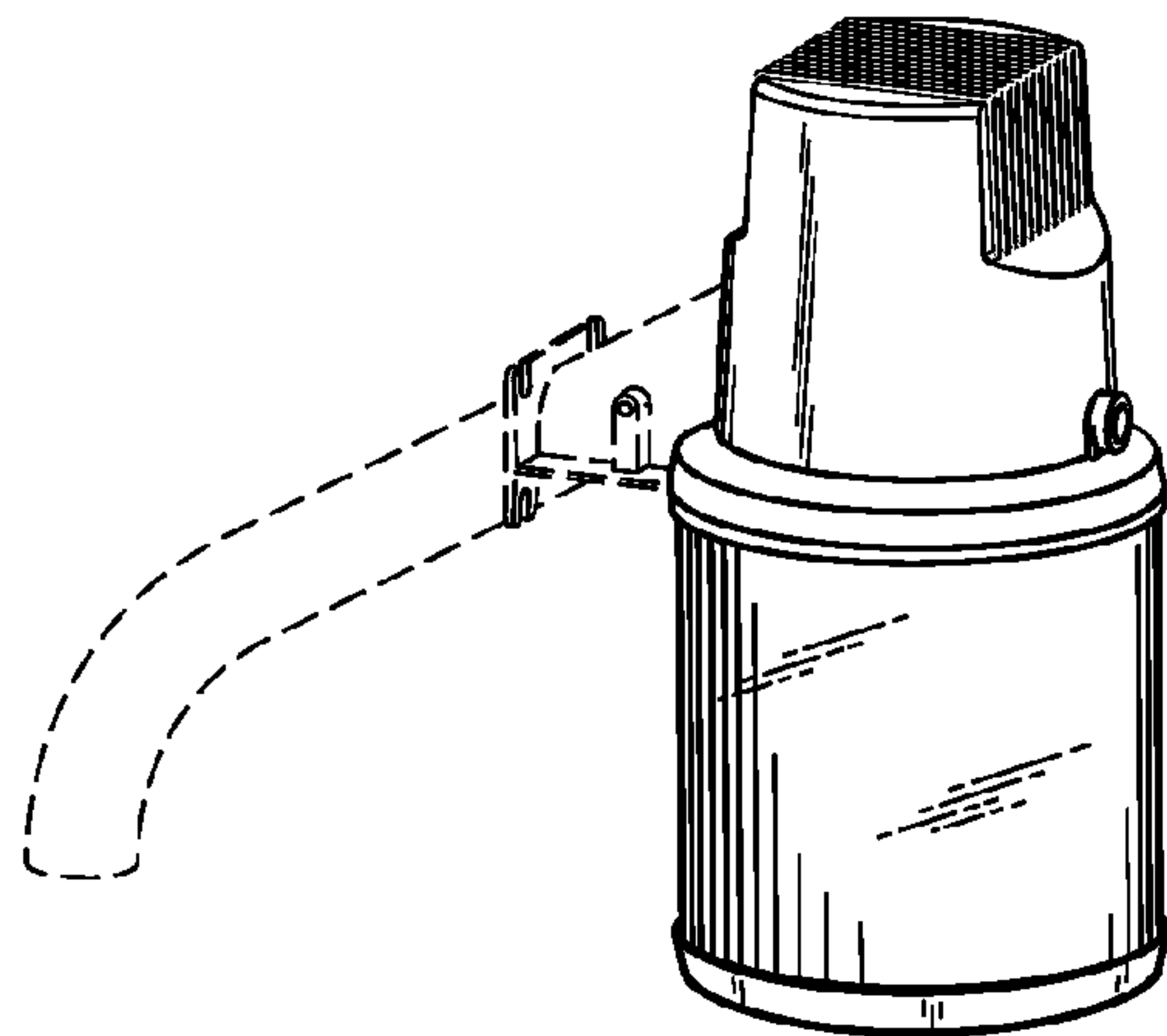


FIG. 7

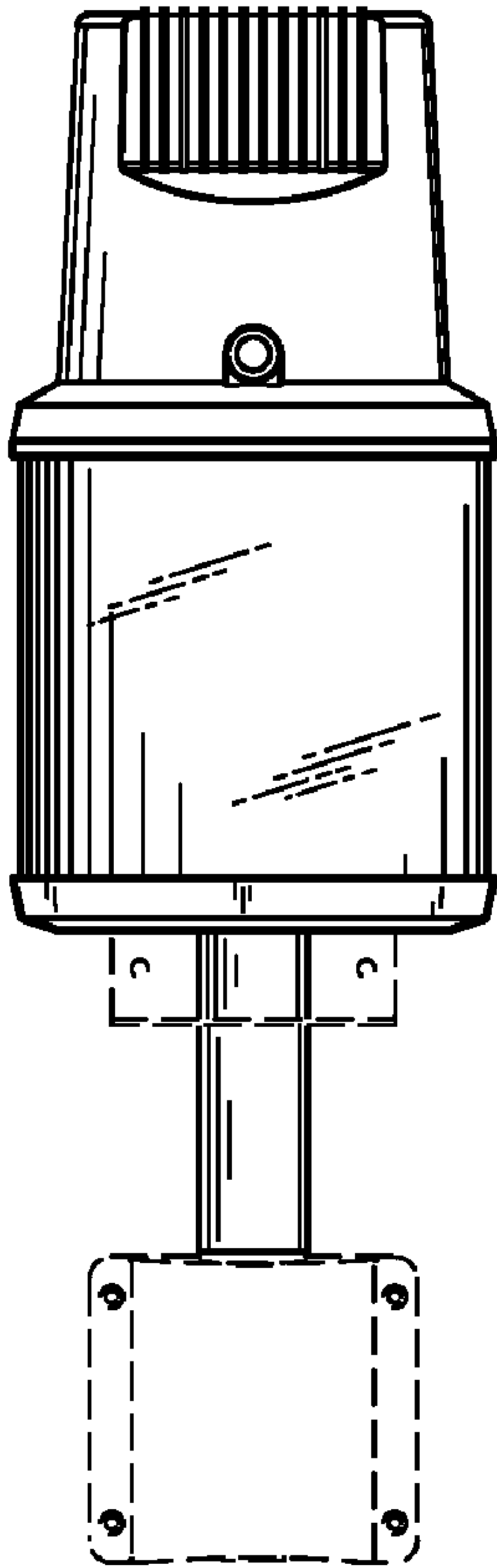


FIG. 2

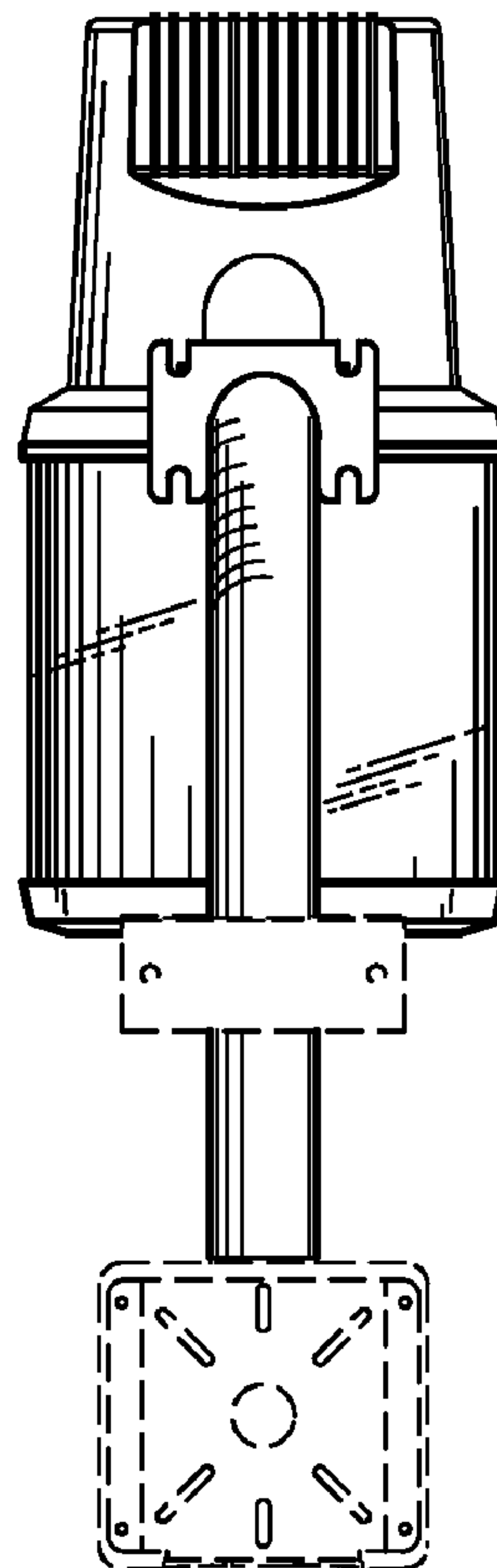


FIG. 3

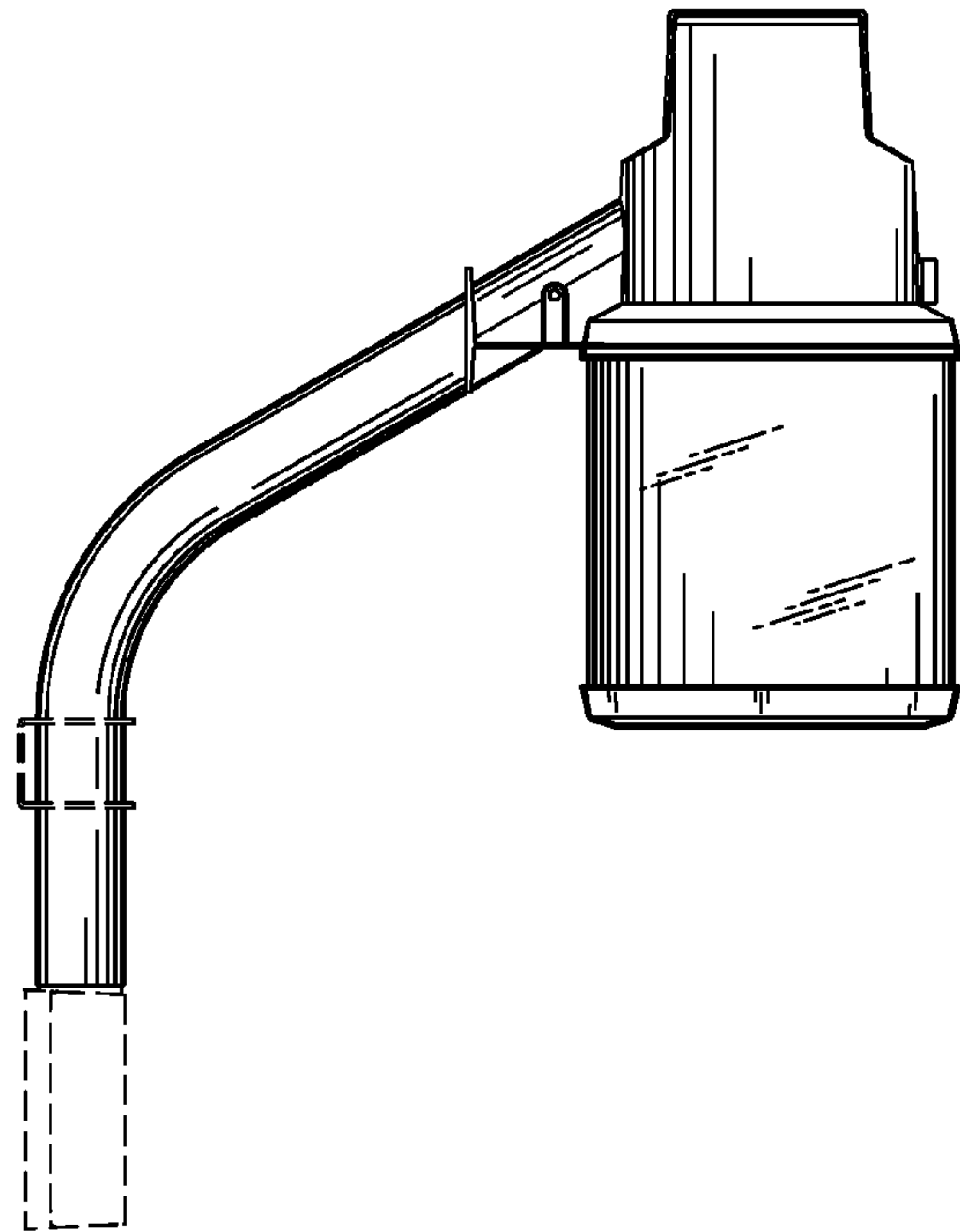


FIG. 4

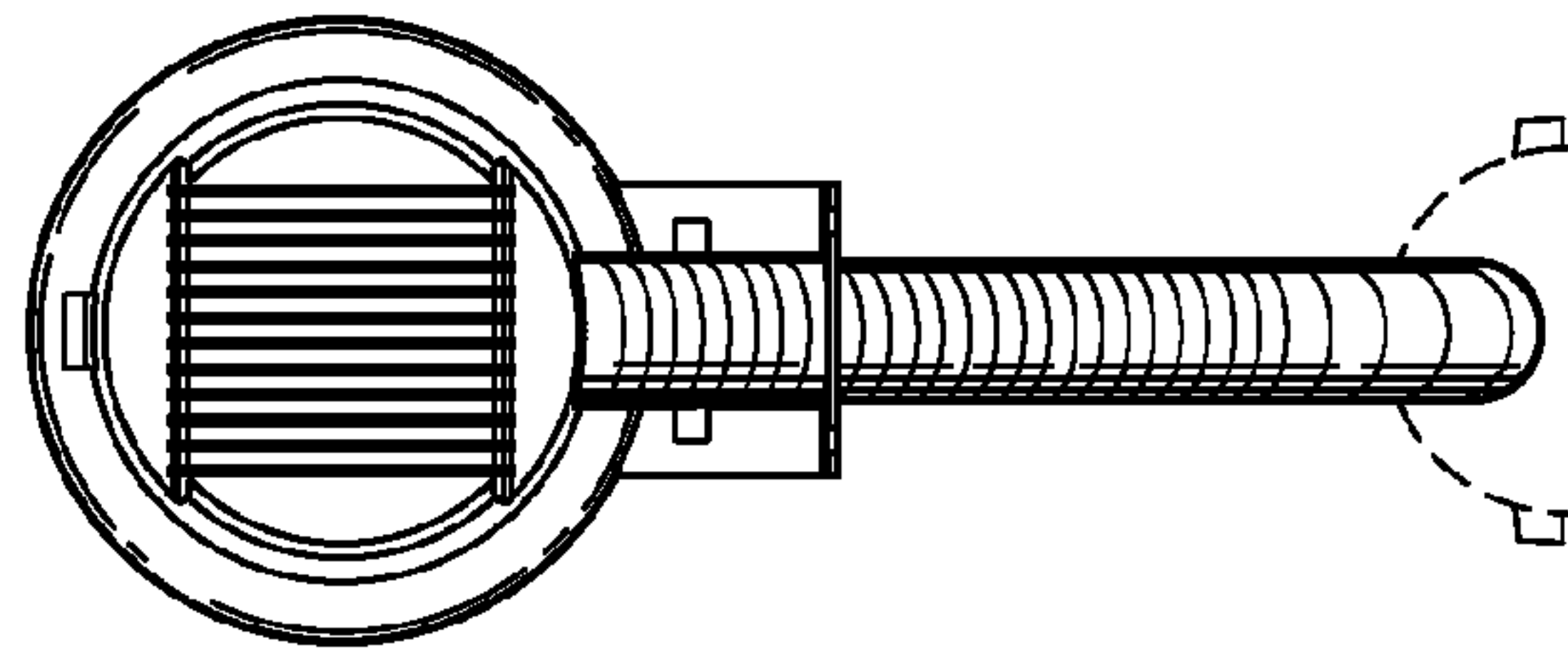


FIG. 5

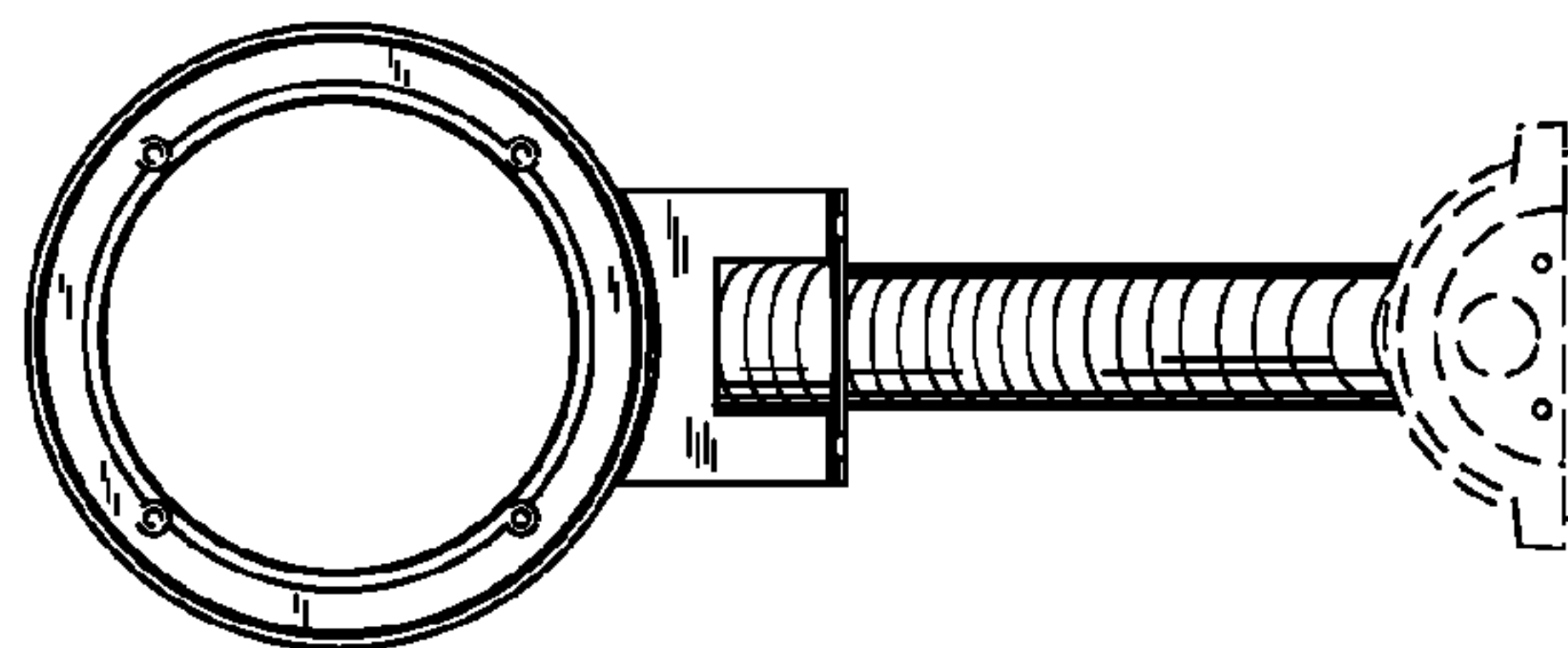


FIG. 6

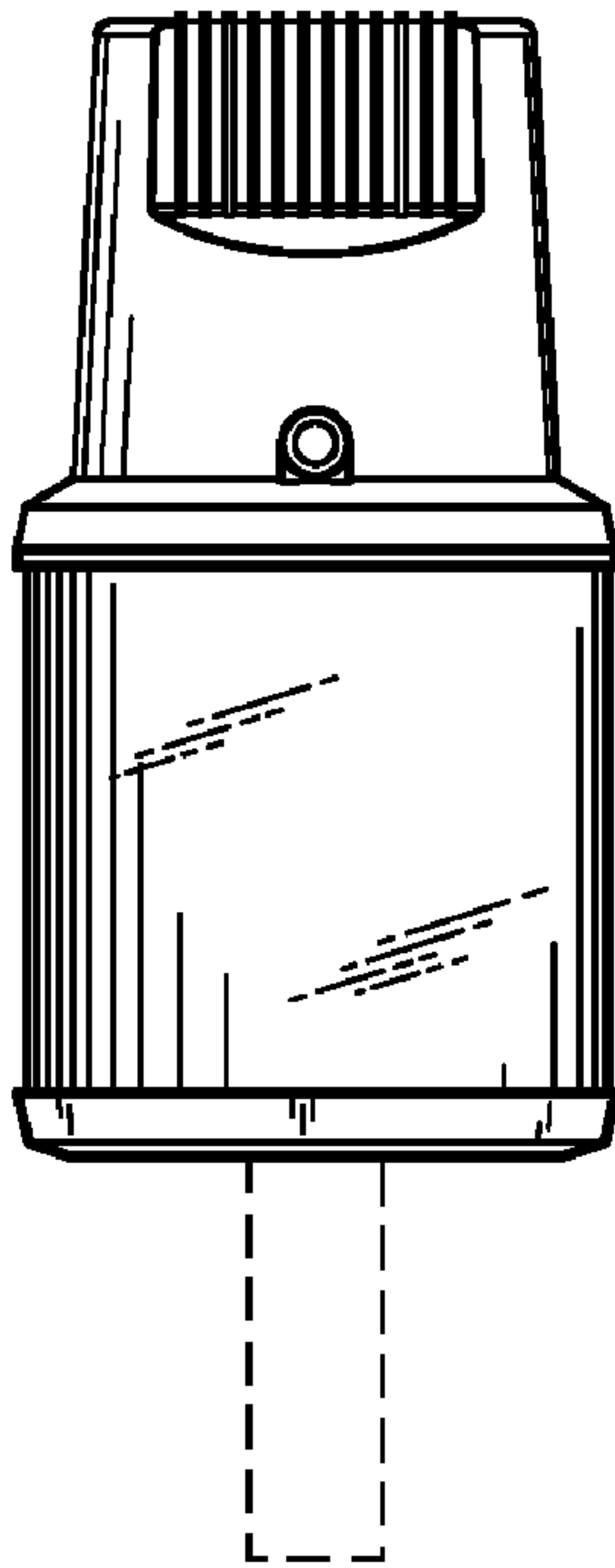


FIG. 8

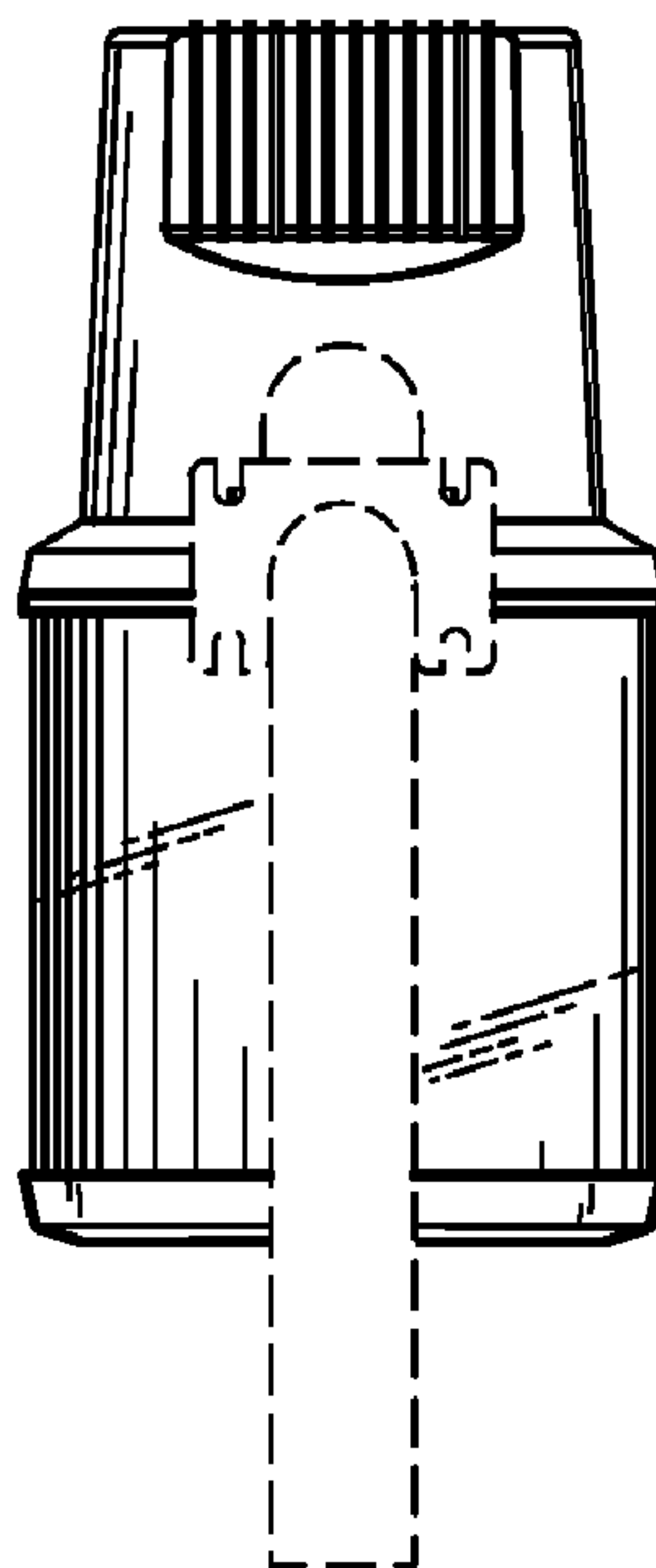


FIG. 9

FIG. 10

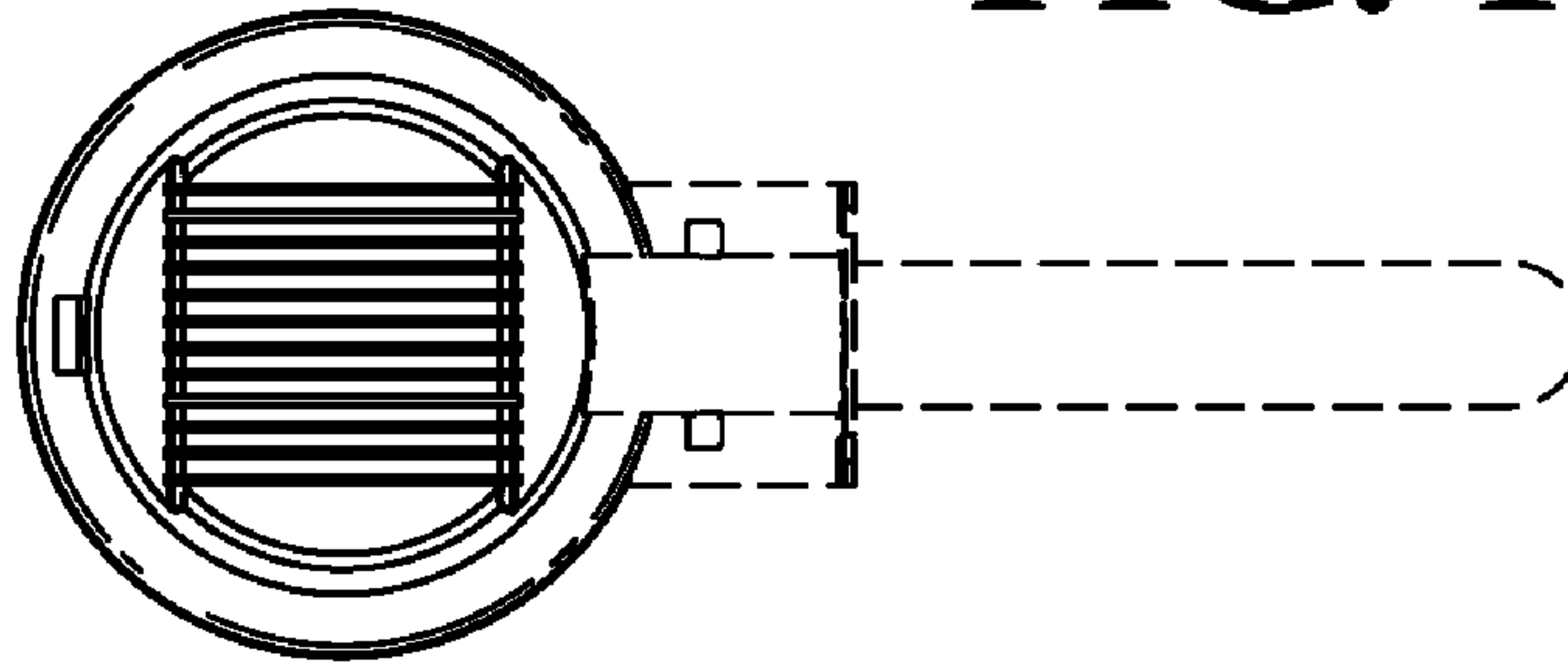


FIG. 11

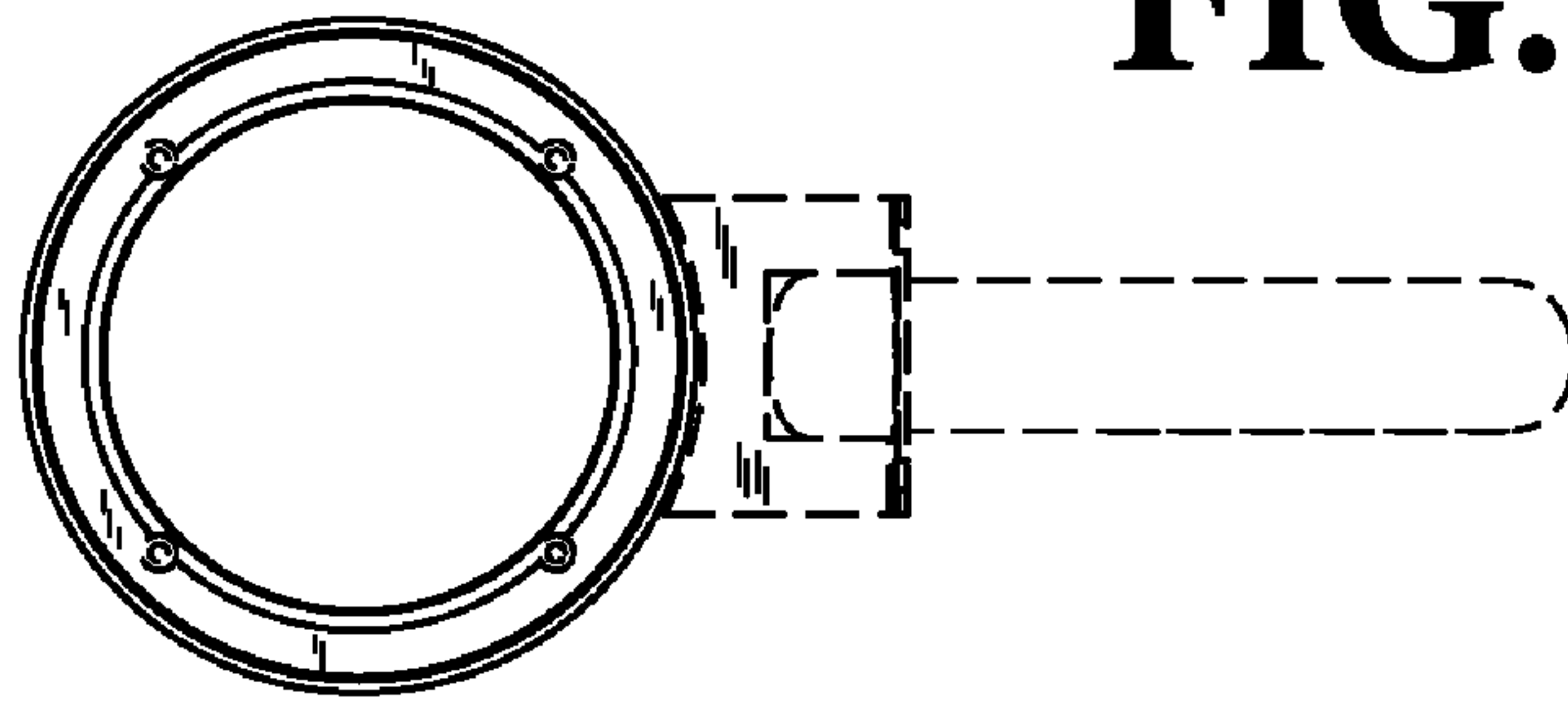


FIG. 12

