



US00D558374S

(12) **United States Design Patent**
Sandell

(10) **Patent No.:** **US D558,374 S**
(45) **Date of Patent:** **** Dec. 25, 2007**

(54) **YARD LIGHT**

(75) Inventor: **Donald R. Sandell**, San Jose, CA (US)

(73) Assignee: **EML Technologies LLC**, Danville, CA (US)

(**) Term: **14 Years**

(21) Appl. No.: **29/277,022**

(22) Filed: **Feb. 10, 2007**

(51) **LOC (8) Cl.** **26-05**

(52) **U.S. Cl.** **D26/71**

(58) **Field of Classification Search** D26/67,
D26/68, 70, 71, 87, 92; 362/147, 370, 431
See application file for complete search history.

(56) **References Cited**

U.S. PATENT DOCUMENTS

D54,630 S * 3/1920 Jimmerson D24/210

(Continued)

Primary Examiner—Clare E Heflin

(74) *Attorney, Agent, or Firm*—Elliot B. Aronson

(57) **CLAIM**

The ornamental design for a yard light, as shown and described.

DESCRIPTION

FIG. 1 is an overall perspective view of a yard light showing a first embodiment of my design;

FIG. 2 is a front elevational view of the yard light of FIG. 1;

FIG. 3 is a rear elevational view of the yard light of FIG. 1;

FIG. 4 is a right side elevational view of the yard light of FIG. 1, the left side being a mirror image;

FIG. 5 is a top plan view of the yard light of FIG. 1; and

FIG. 6 is a bottom plan view of the yard light of FIG. 1.

FIG. 7 is an overall perspective view of a second embodiment of a yard light showing my design;

FIG. 8 is a front elevational view of the yard light embodiment of FIG. 7;

FIG. 9 is a rear elevational view of the yard light embodiment of FIG. 7;

FIG. 10 is a top plan view of the yard light embodiment of FIG. 7;

FIG. 11 is a bottom plan view of the yard light embodiment of FIG. 7; and

FIG. 12 is a right side elevational view of the yard light of FIG. 7, the left side being a mirror image.

FIG. 13 is an overall perspective view of a yard light showing a third embodiment of my design;

FIG. 14 is a front elevational view of the yard light embodiment of FIG. 13;

FIG. 15 is a rear elevational view of the yard light embodiment of FIG. 13;

FIG. 16 is a right side elevational view of the yard light embodiment of FIG. 13, the left side being a mirror image; and

FIG. 17 is a top plan view of the yard light embodiment of FIG. 13.

The bottom plan view of the yard light embodiment of FIG. 13 is the same as shown in FIG. 6.

FIG. 18 is an overall perspective view of a fourth embodiment of a yard light showing my design;

FIG. 19 is a front elevational view of the yard light embodiment of FIG. 18;

FIG. 20 is a rear elevational view of the yard light embodiment of FIG. 18;

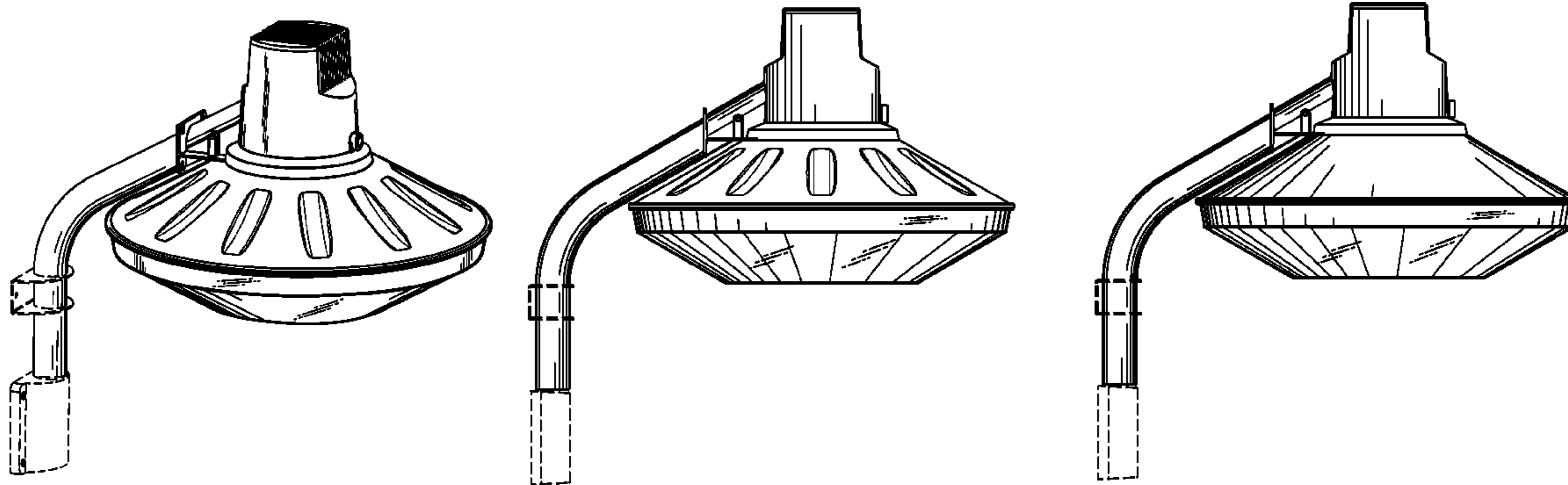
FIG. 21 is a top plan view of the yard light embodiment of FIG. 18; and,

FIG. 22 is a right side elevational view of the yard light of FIG. 18, the left side being a mirror image.

The bottom plan view of the yard light embodiment of FIG. 18 is the same as shown in FIG. 11.

The Figures all show portions in broken lines, which are indicated for illustrative purposes only and do not form part of the claimed design.

1 Claim, 10 Drawing Sheets



US D558,374 S

Page 2

U.S. PATENT DOCUMENTS

D130,671 S	*	12/1941	Wince	D26/71	D329,714 S		9/1992	McIngvale et al.	
D188,916 S	*	9/1960	Harling	D26/71	5,329,438 A		7/1994	Thompson	
D200,118 S	*	1/1965	Van Steenhoven	D26/71	D358,226 S	*	5/1995	Osteen et al.	D26/71
D201,700 S	*	7/1965	Stockwell	D26/71	D400,280 S		10/1998	Leen	
D205,719 S	*	9/1966	Pettengill	D26/69	D407,843 S		4/1999	Leen	
3,277,292 A	*	10/1966	Horan	362/430	D418,620 S		1/2000	Grossman	
D207,867 S	*	6/1967	Pettengill	D26/70	D424,228 S		5/2000	Grossman	
4,595,971 A		6/1986	Dean		7,108,238 B2		9/2006	Gauci	

* cited by examiner

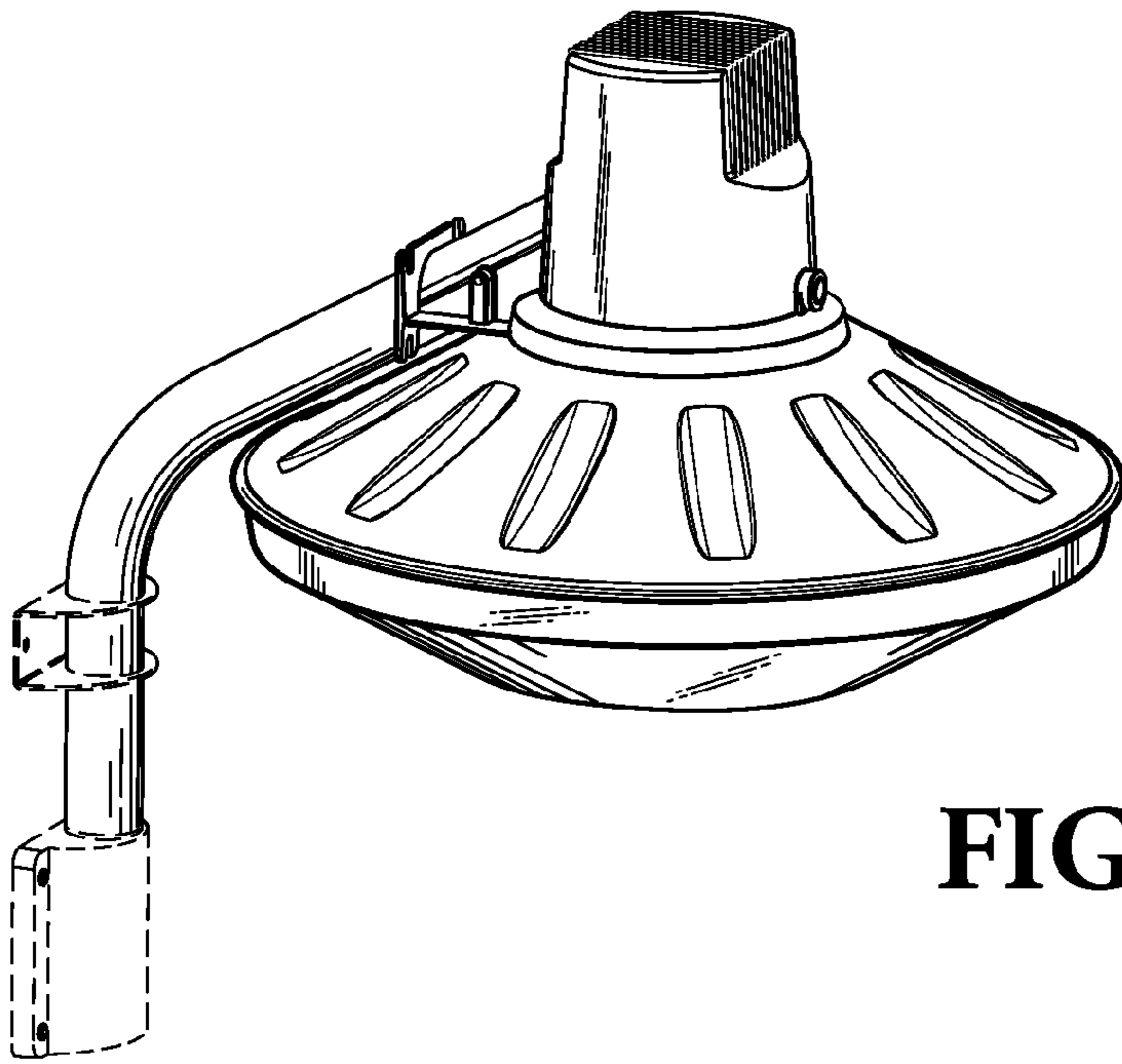


FIG. 1

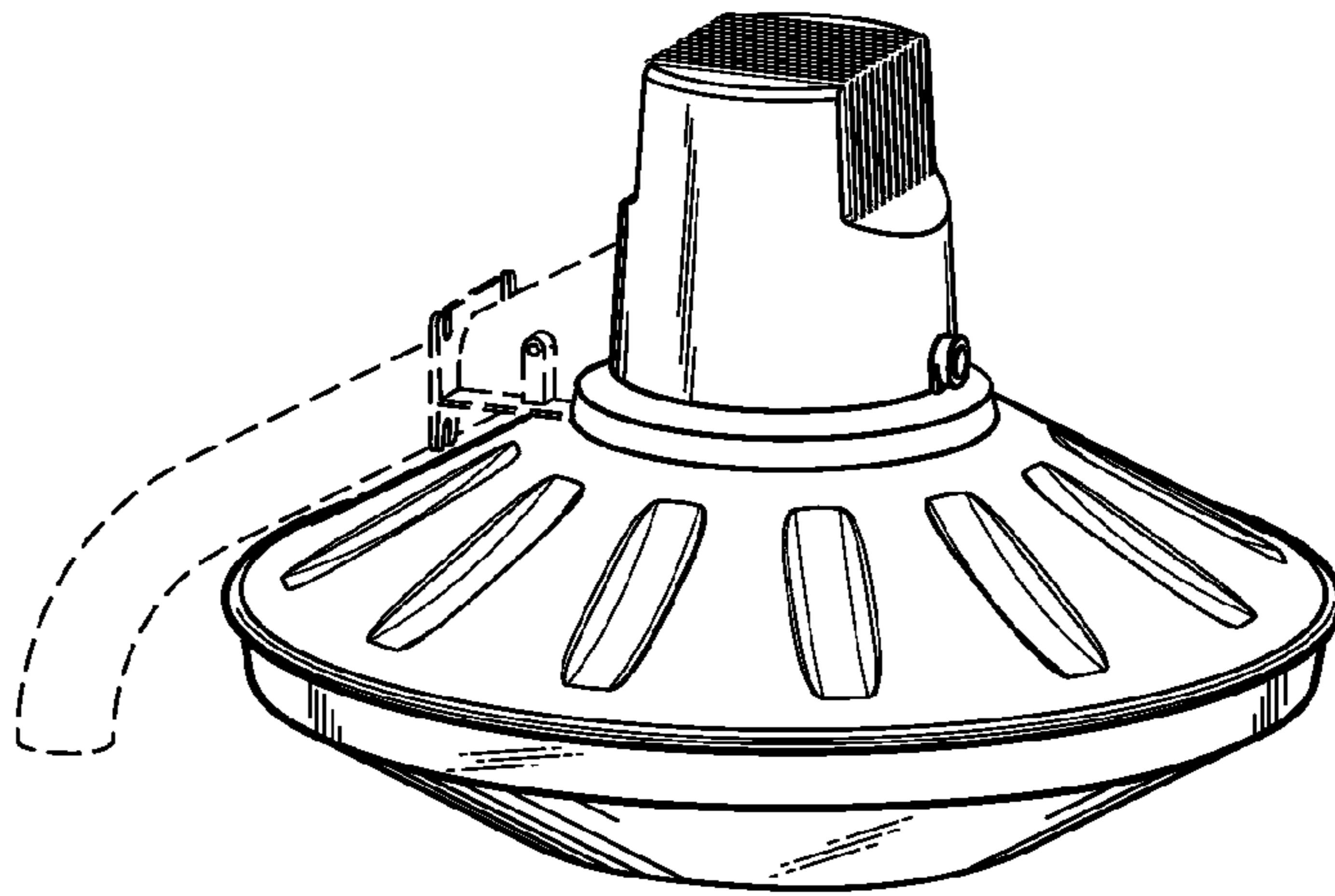


FIG. 7

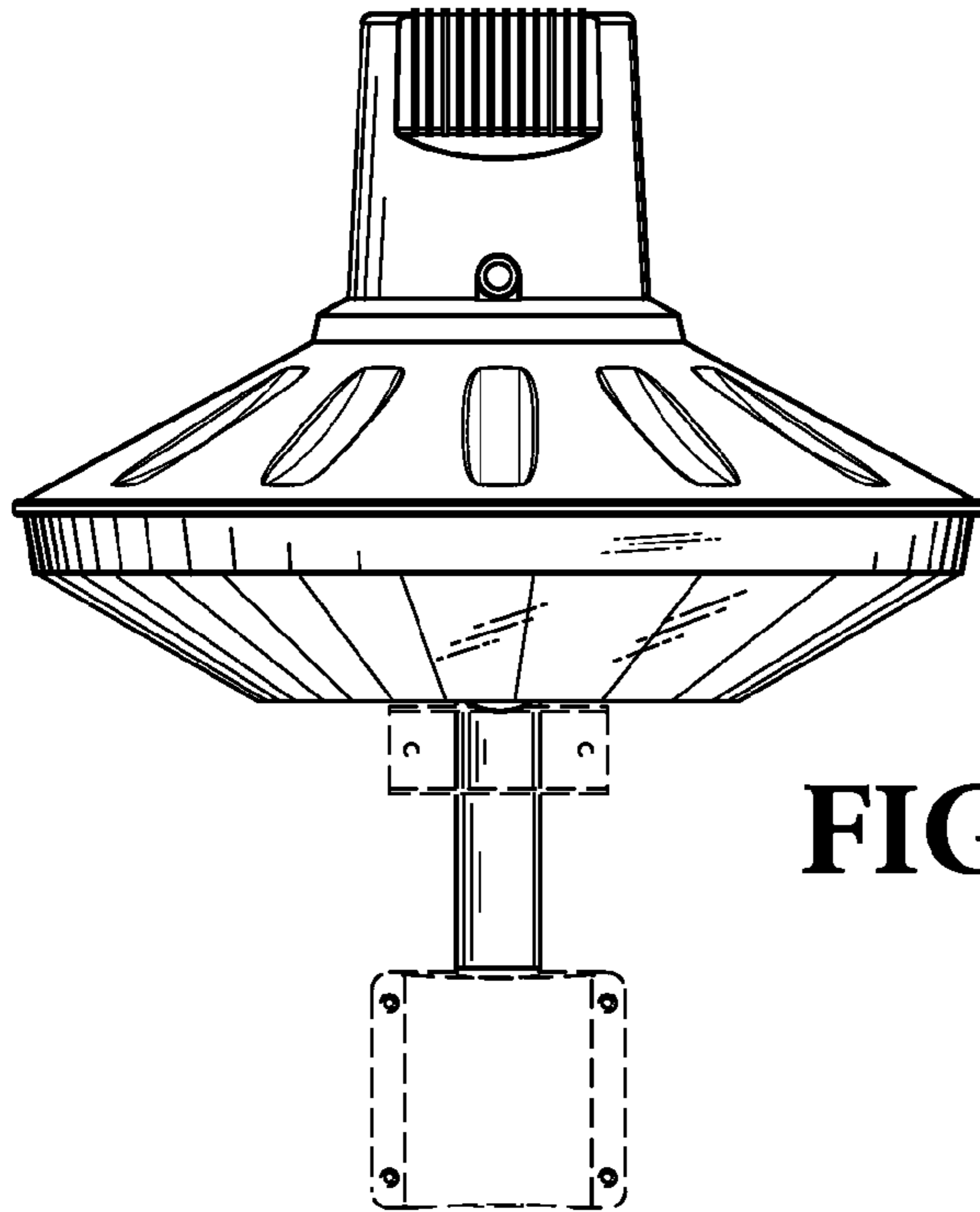


FIG. 2

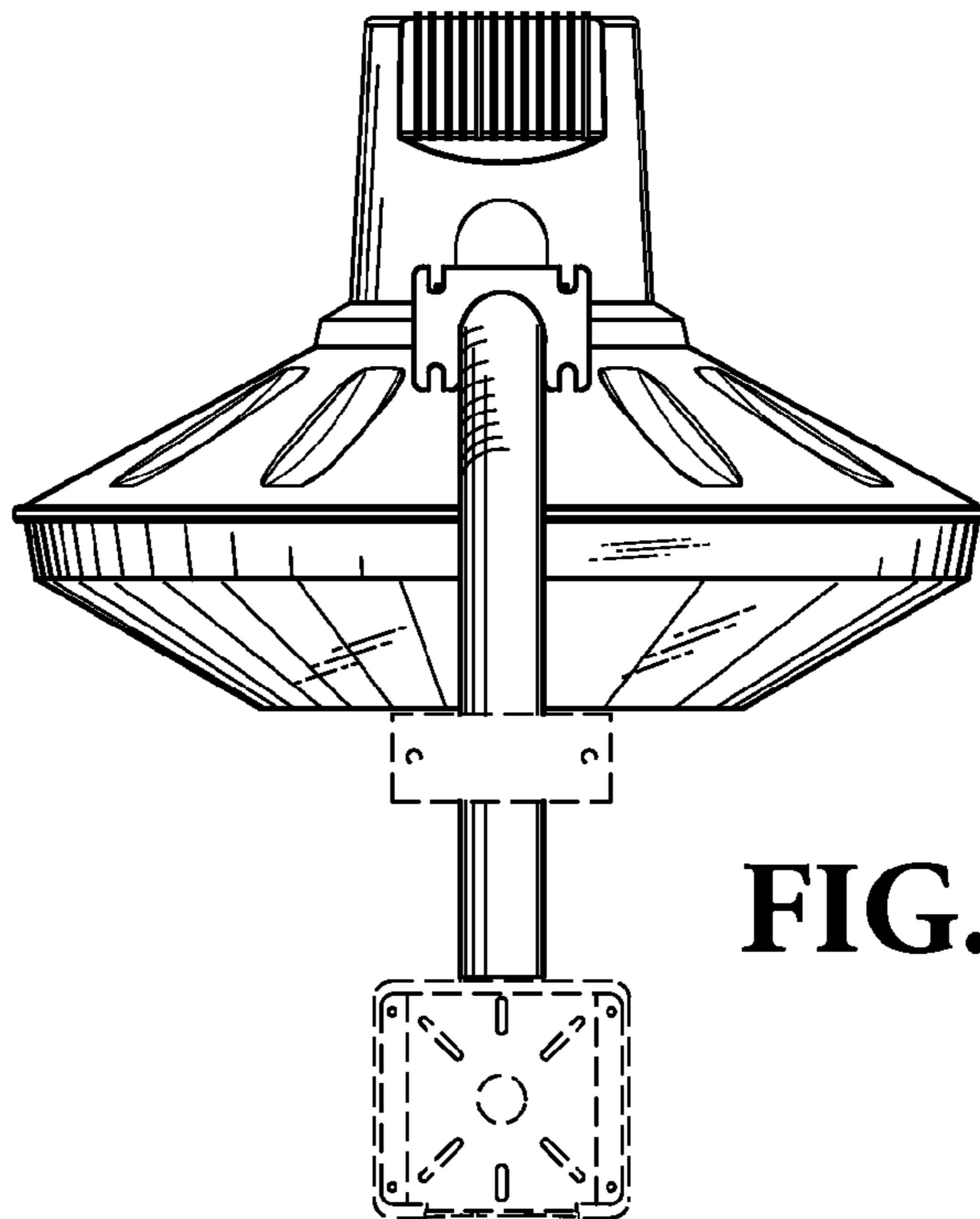


FIG. 3

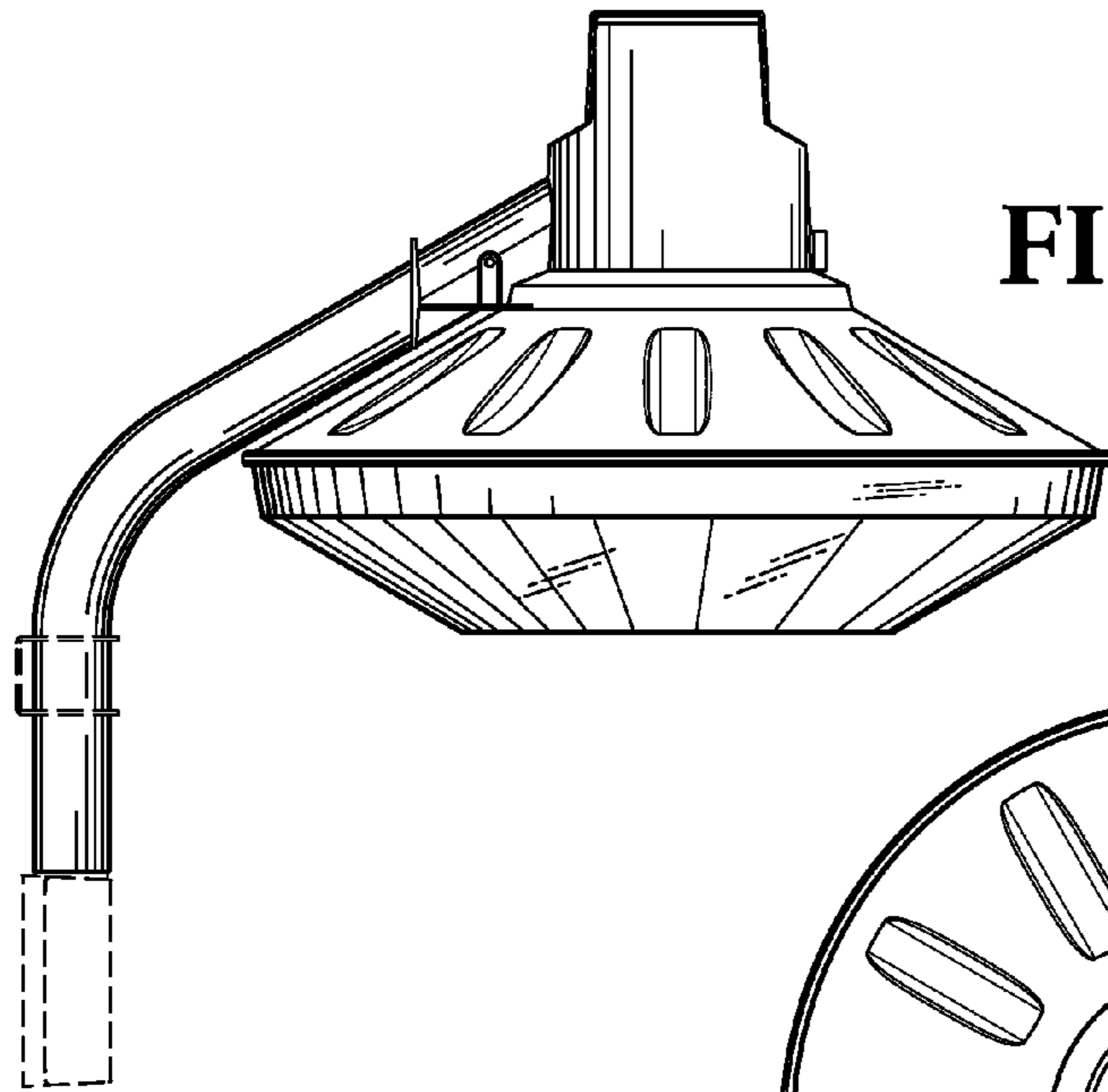


FIG. 4

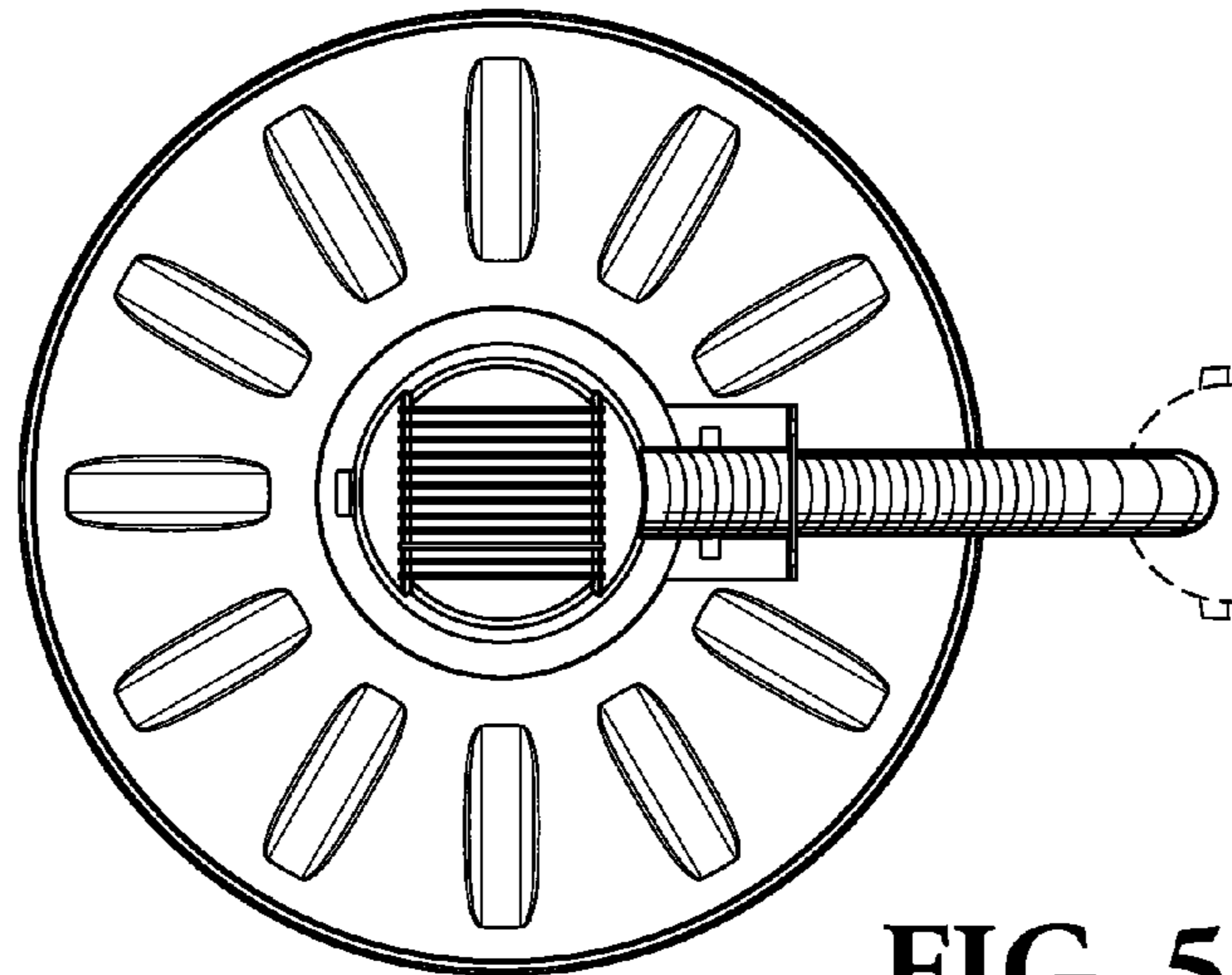


FIG. 5

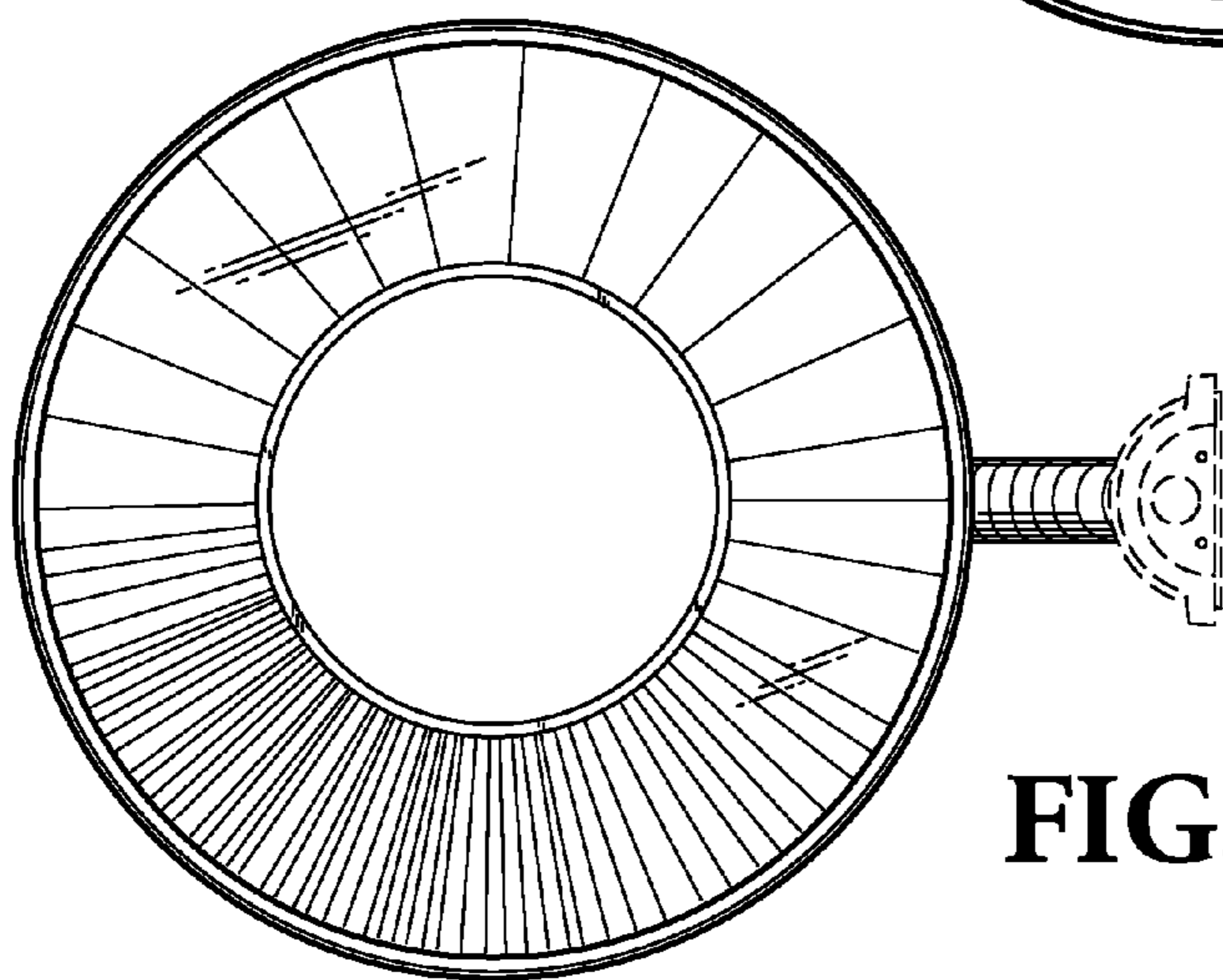


FIG. 6

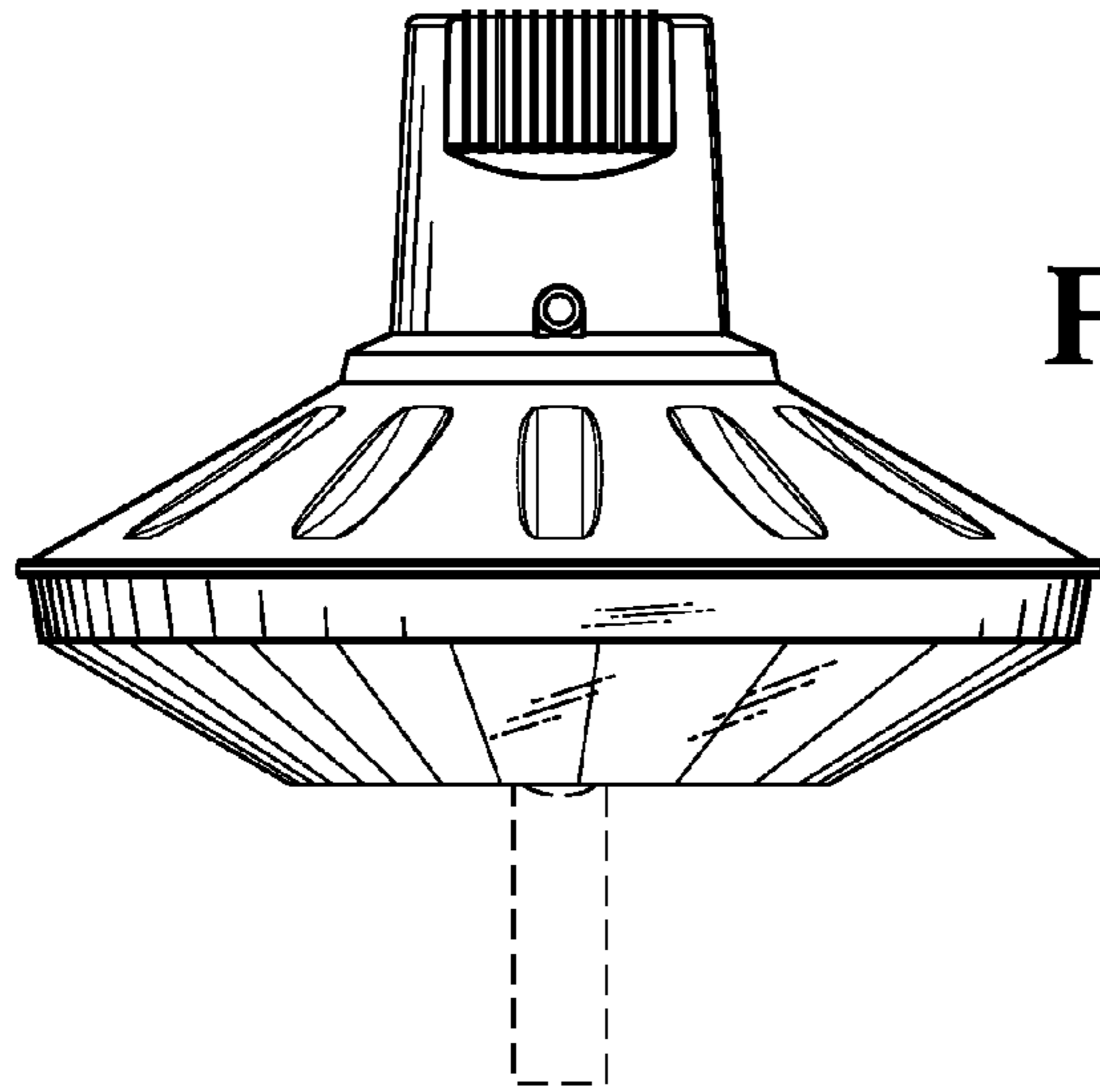


FIG. 8

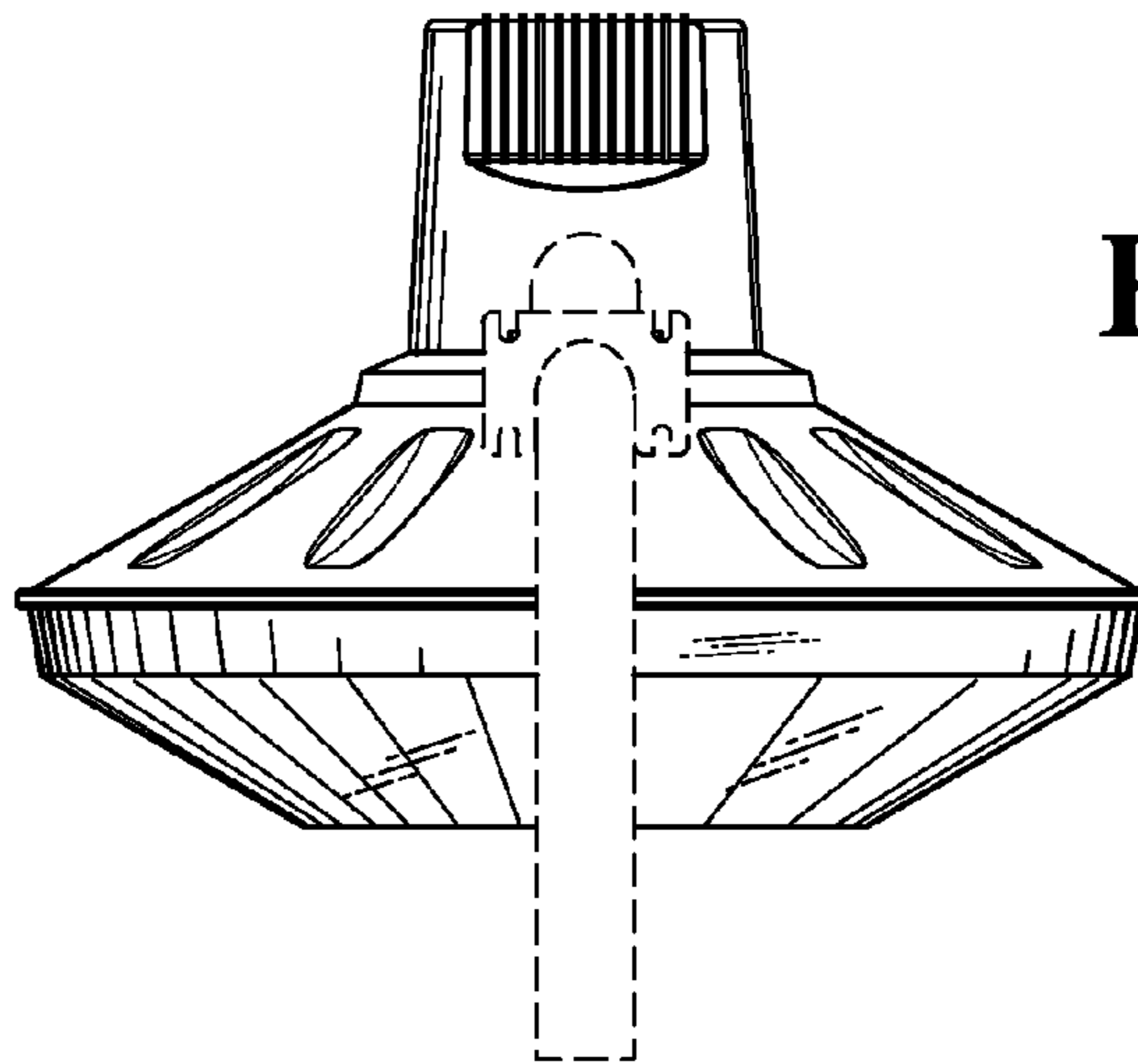


FIG. 9

FIG. 10

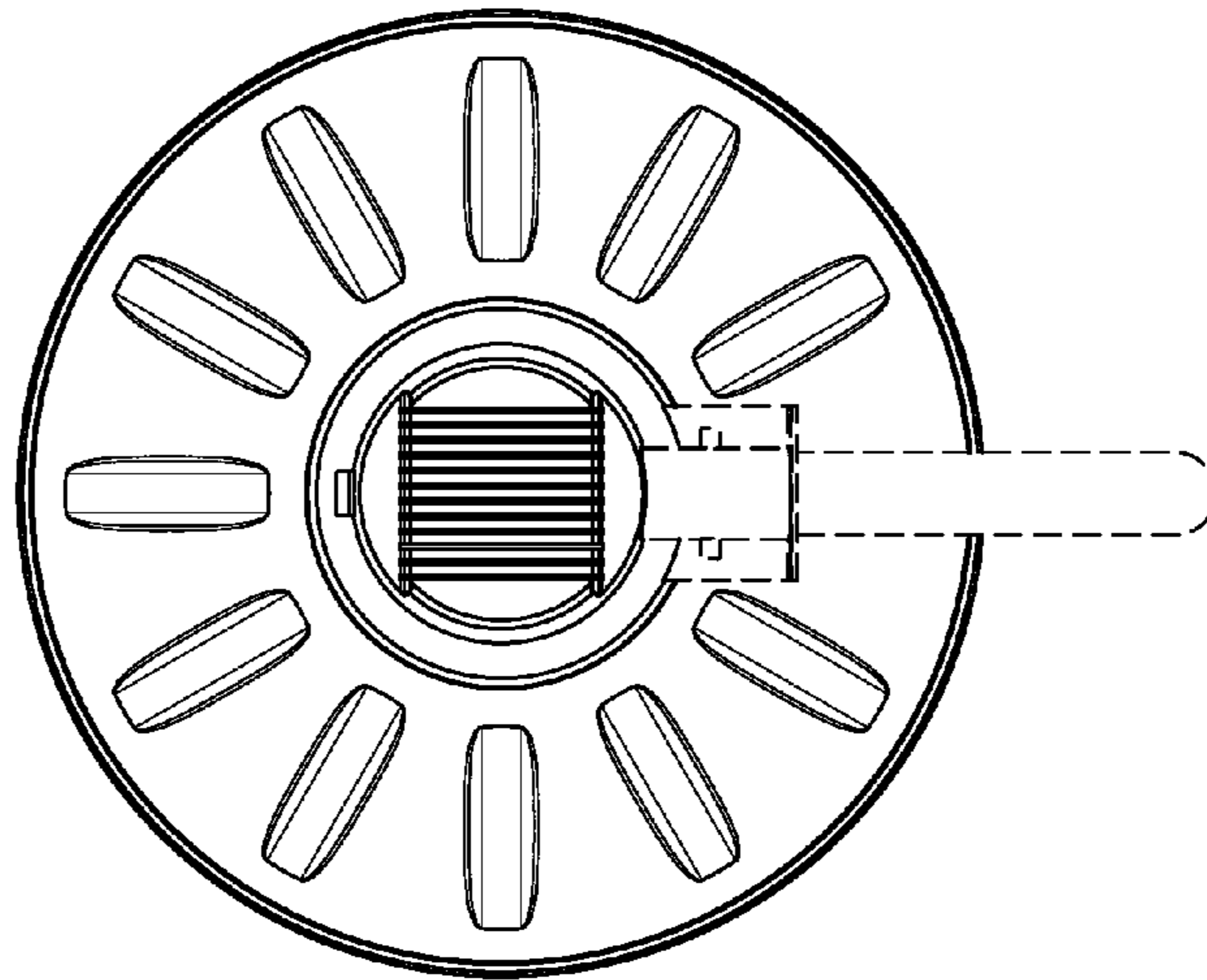


FIG. 11

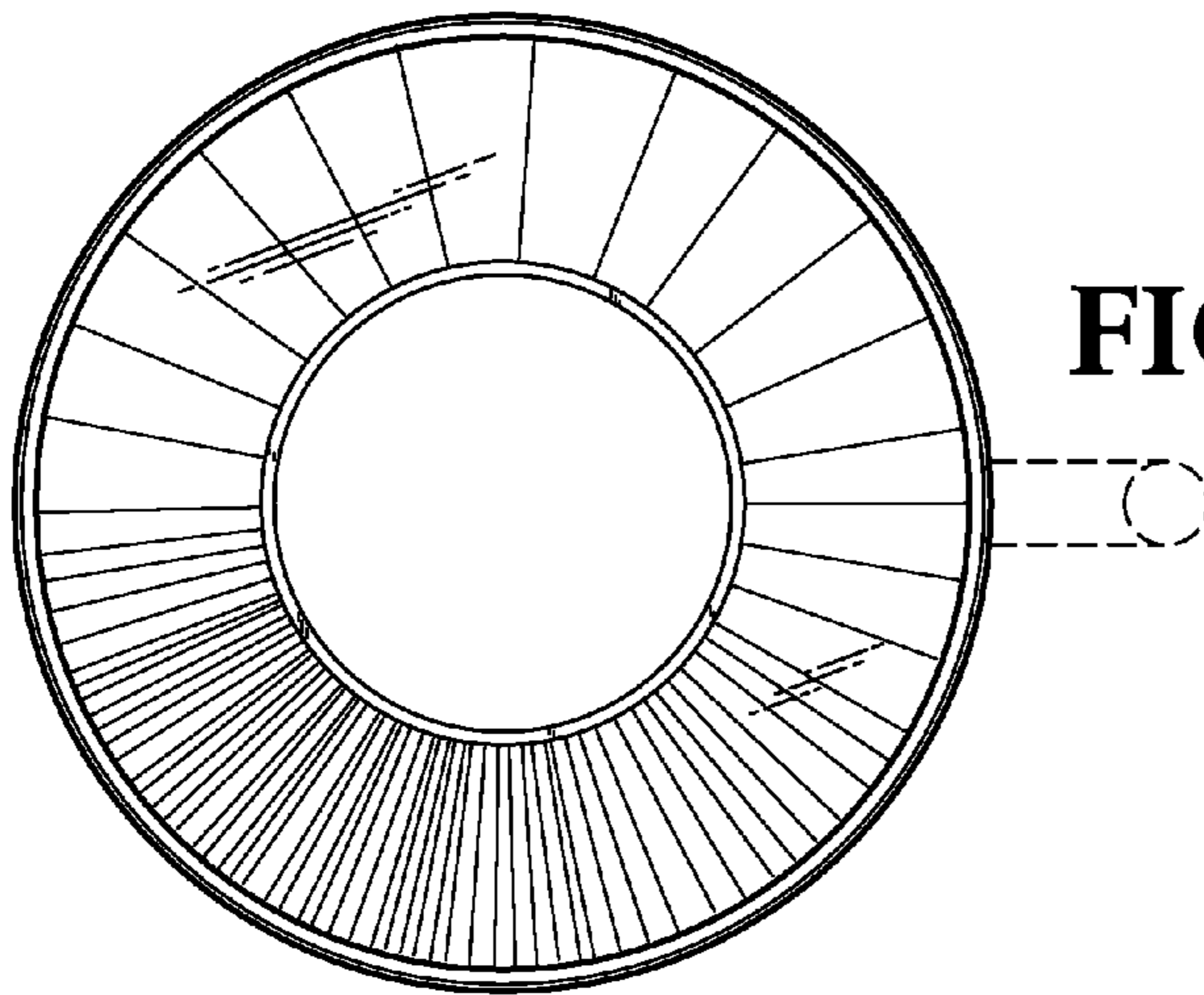
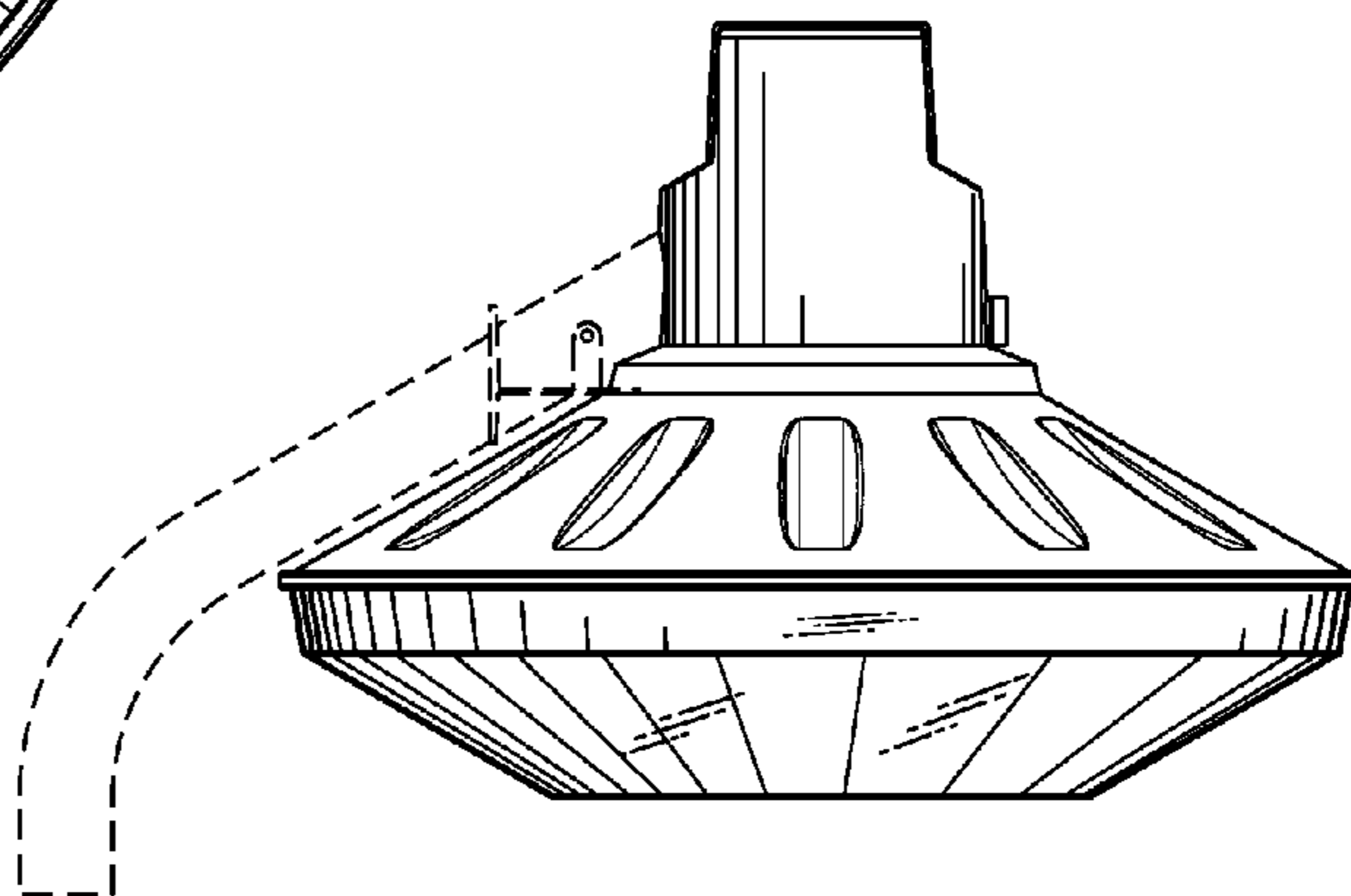


FIG. 12



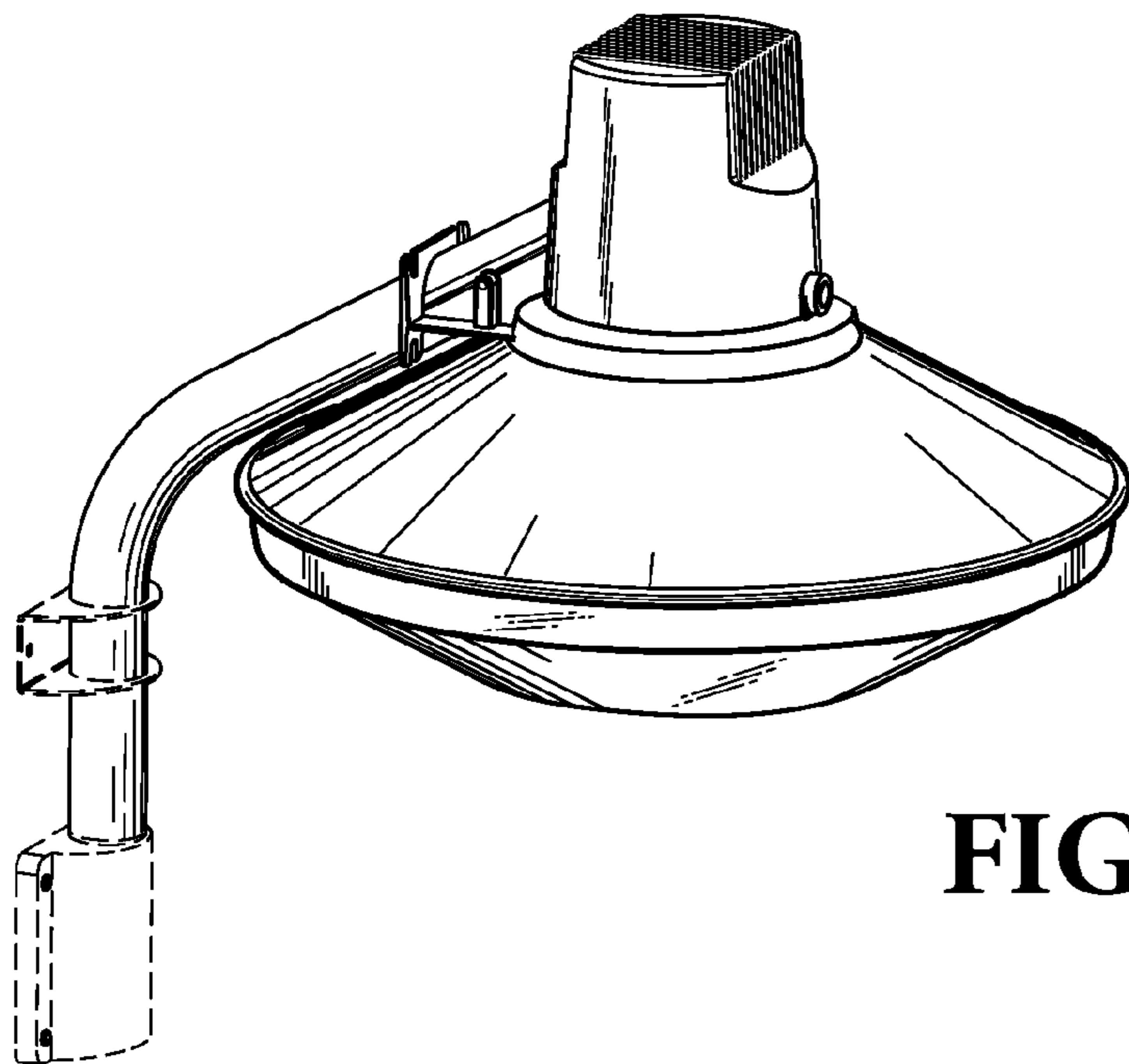


FIG. 13

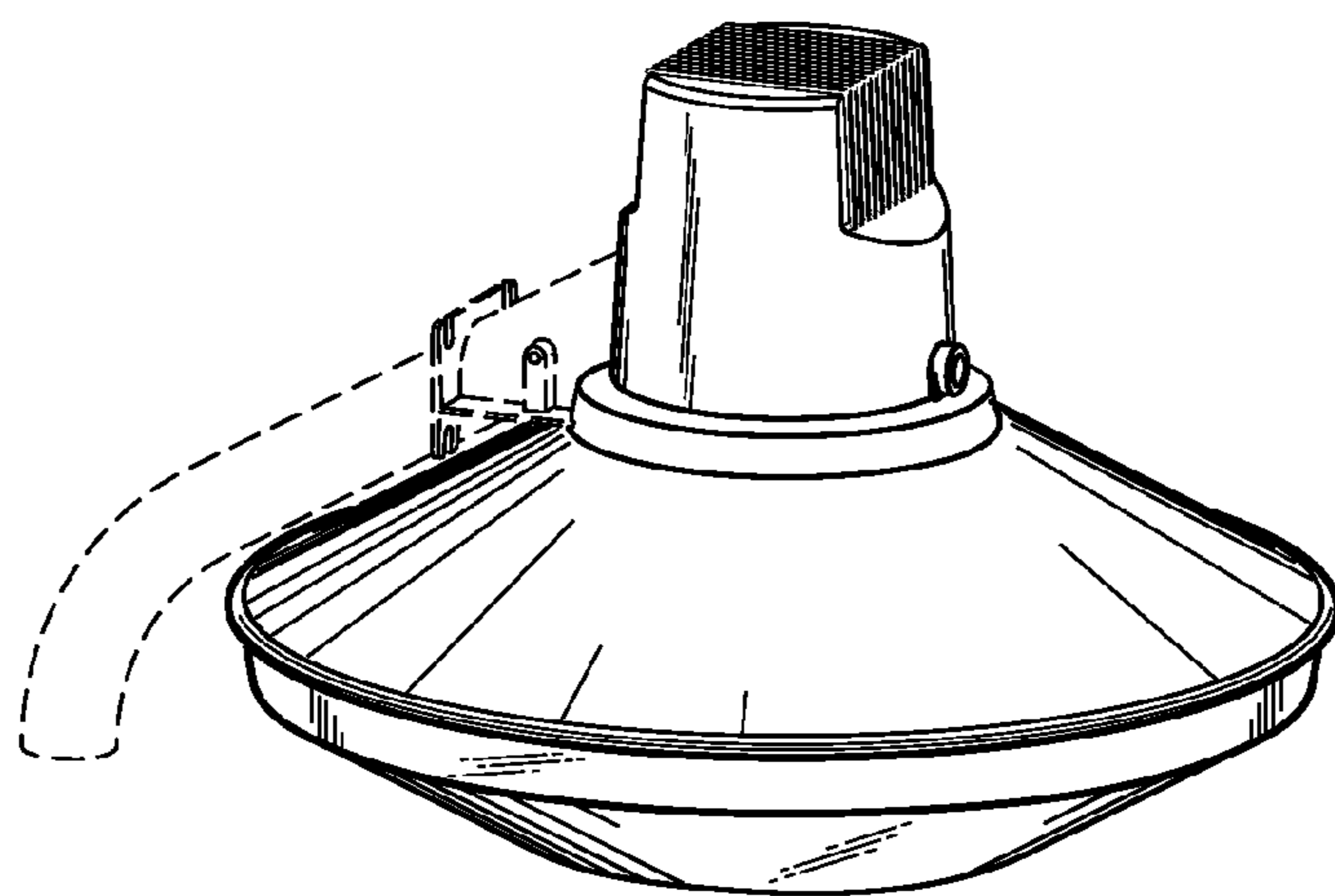


FIG. 18

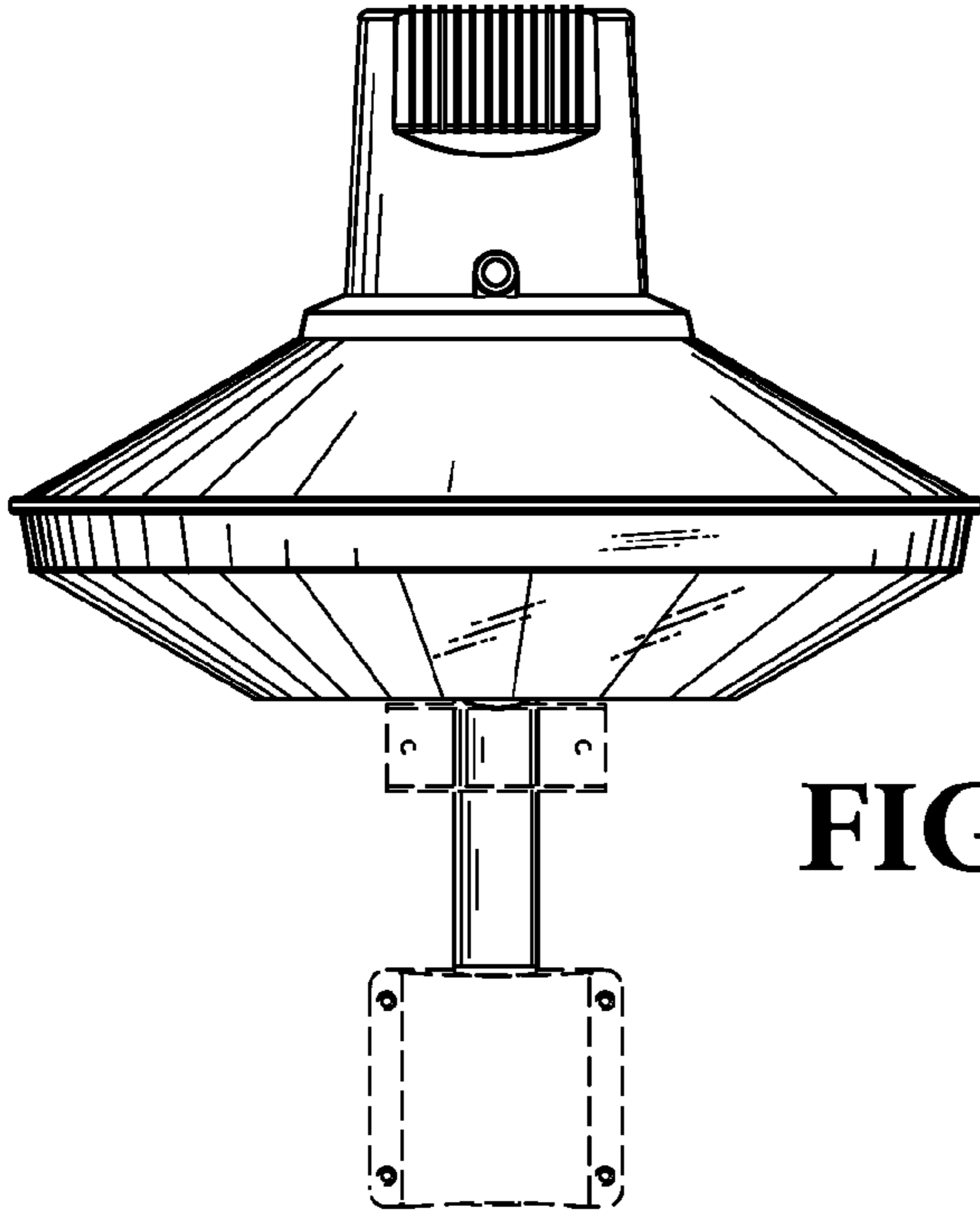


FIG. 14

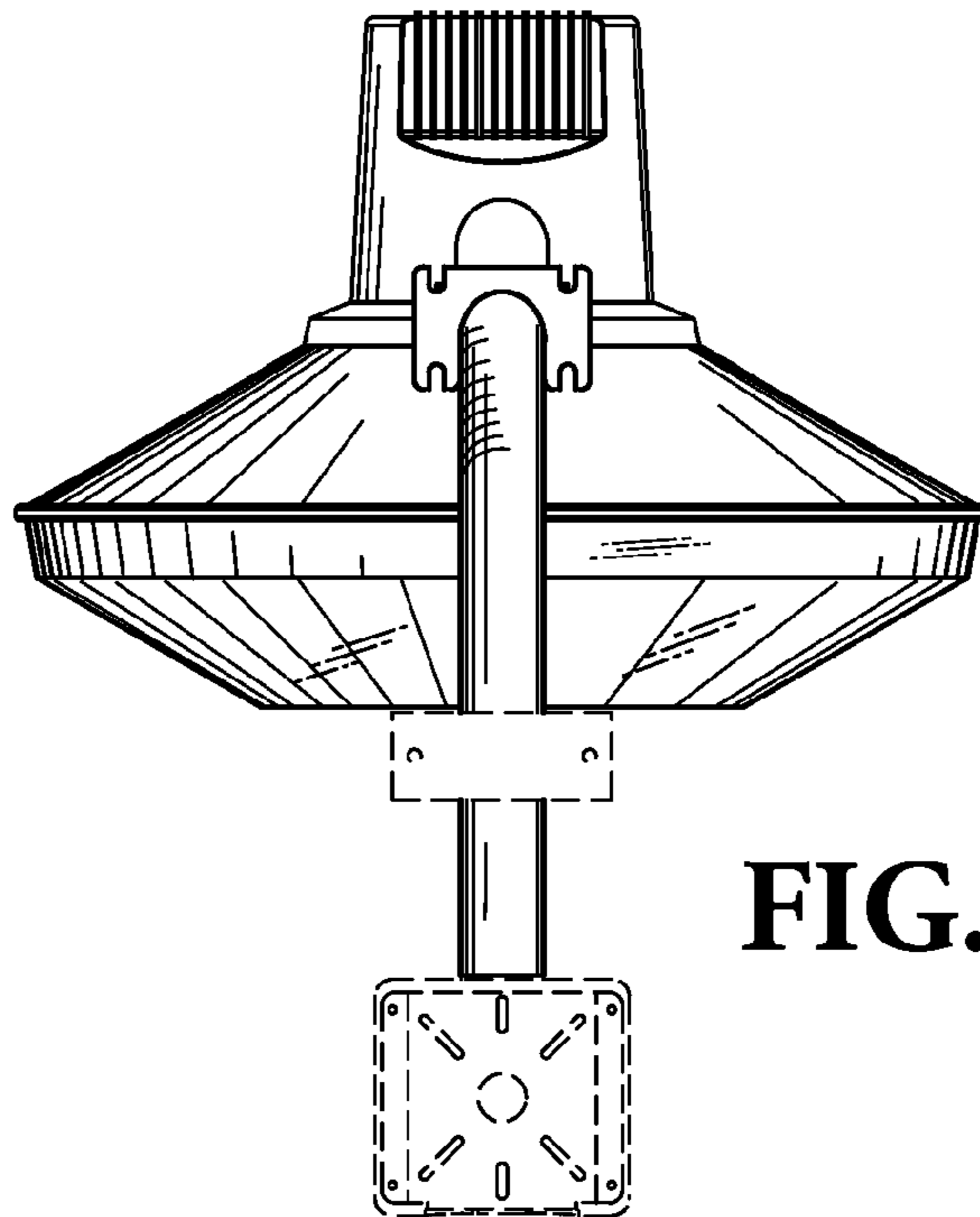


FIG. 15

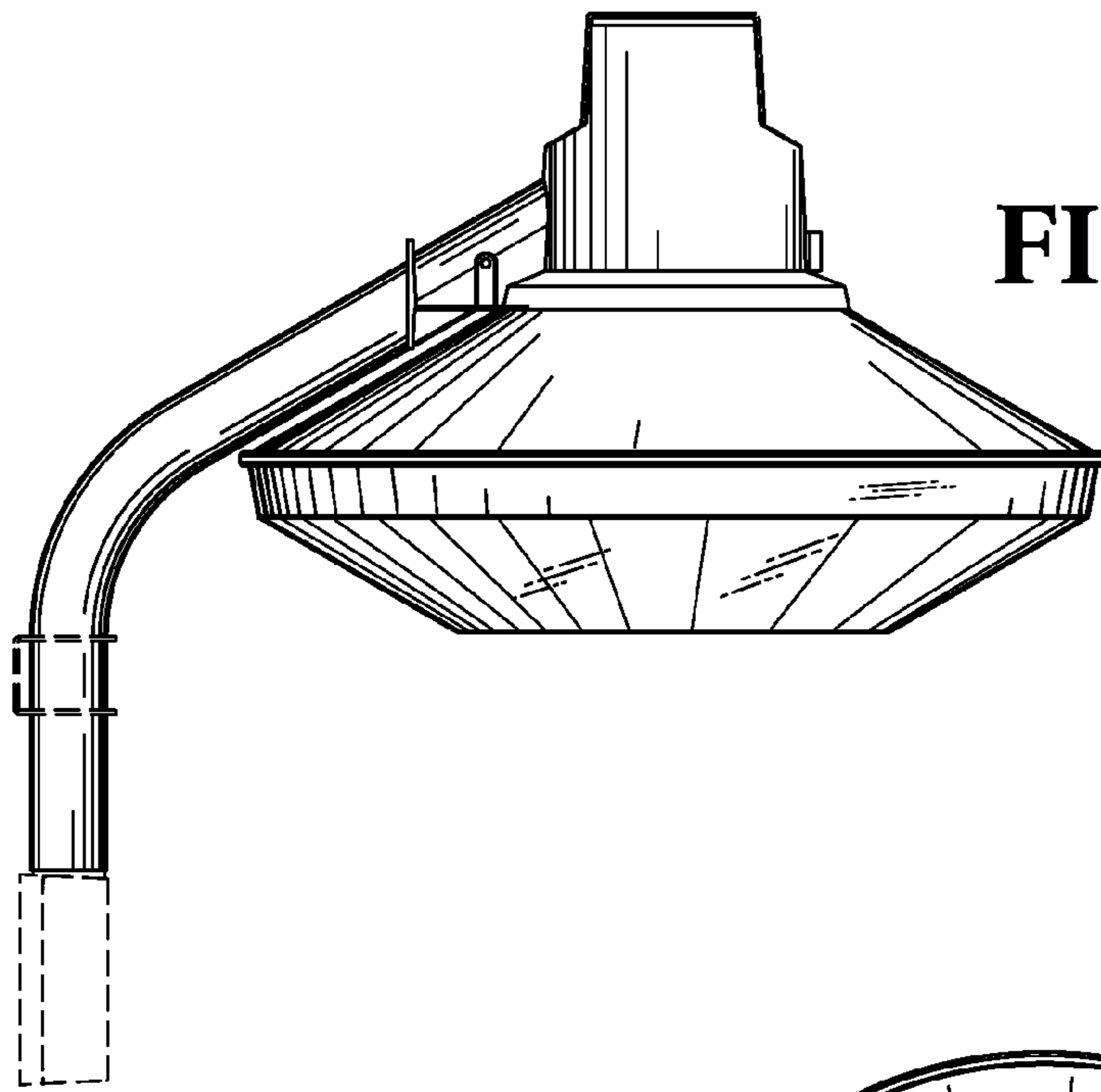
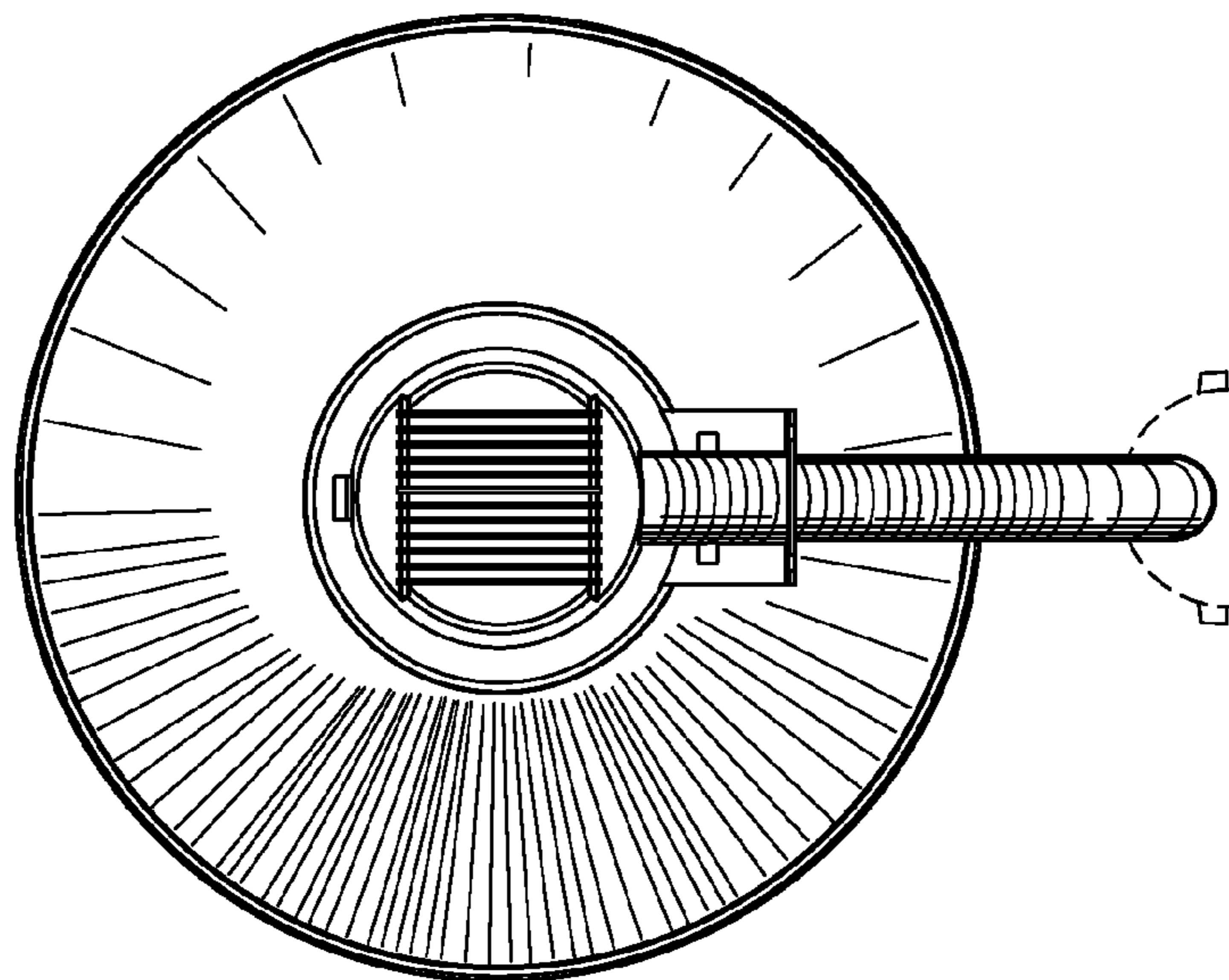


FIG. 16

FIG. 17



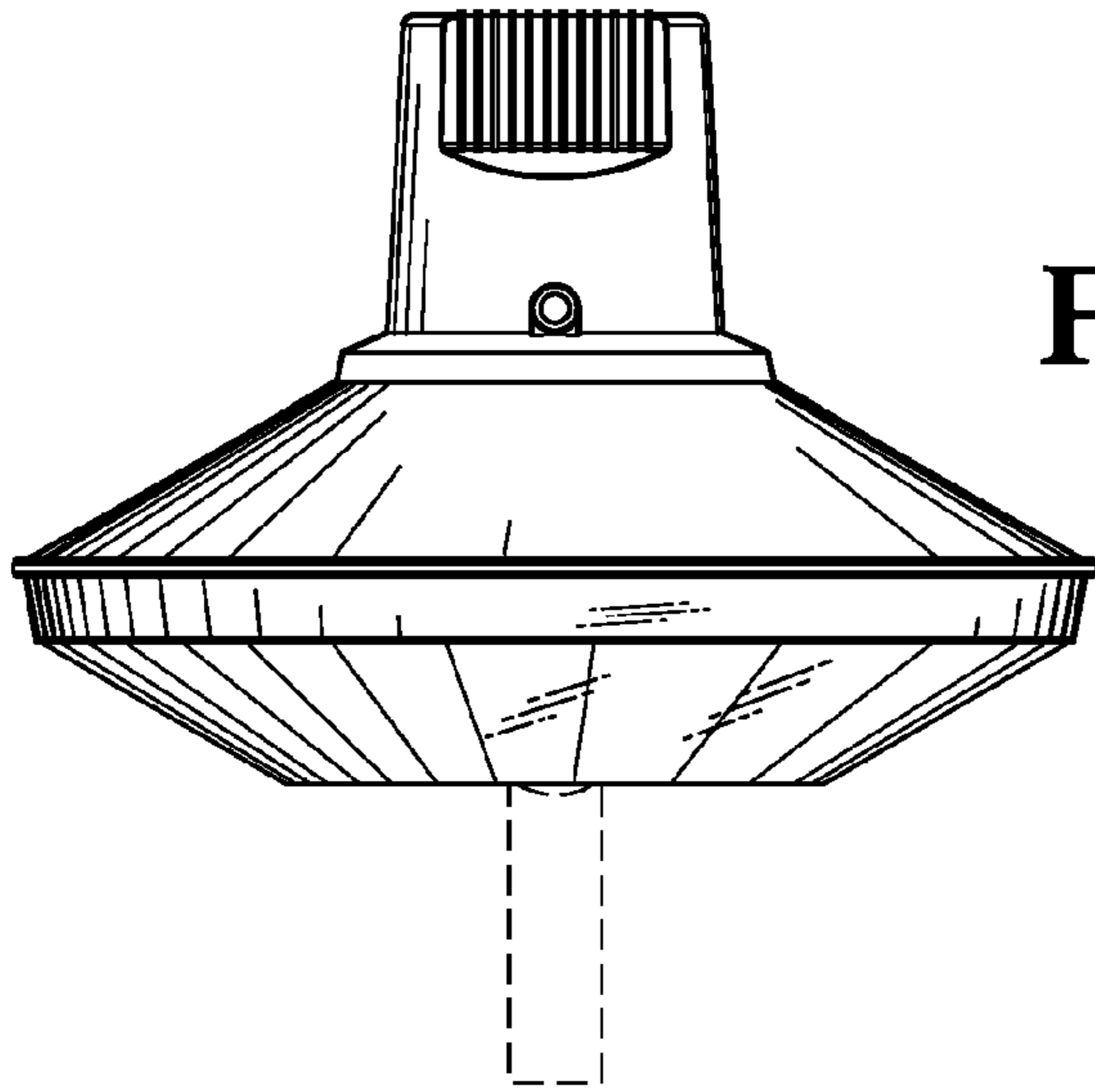


FIG. 19

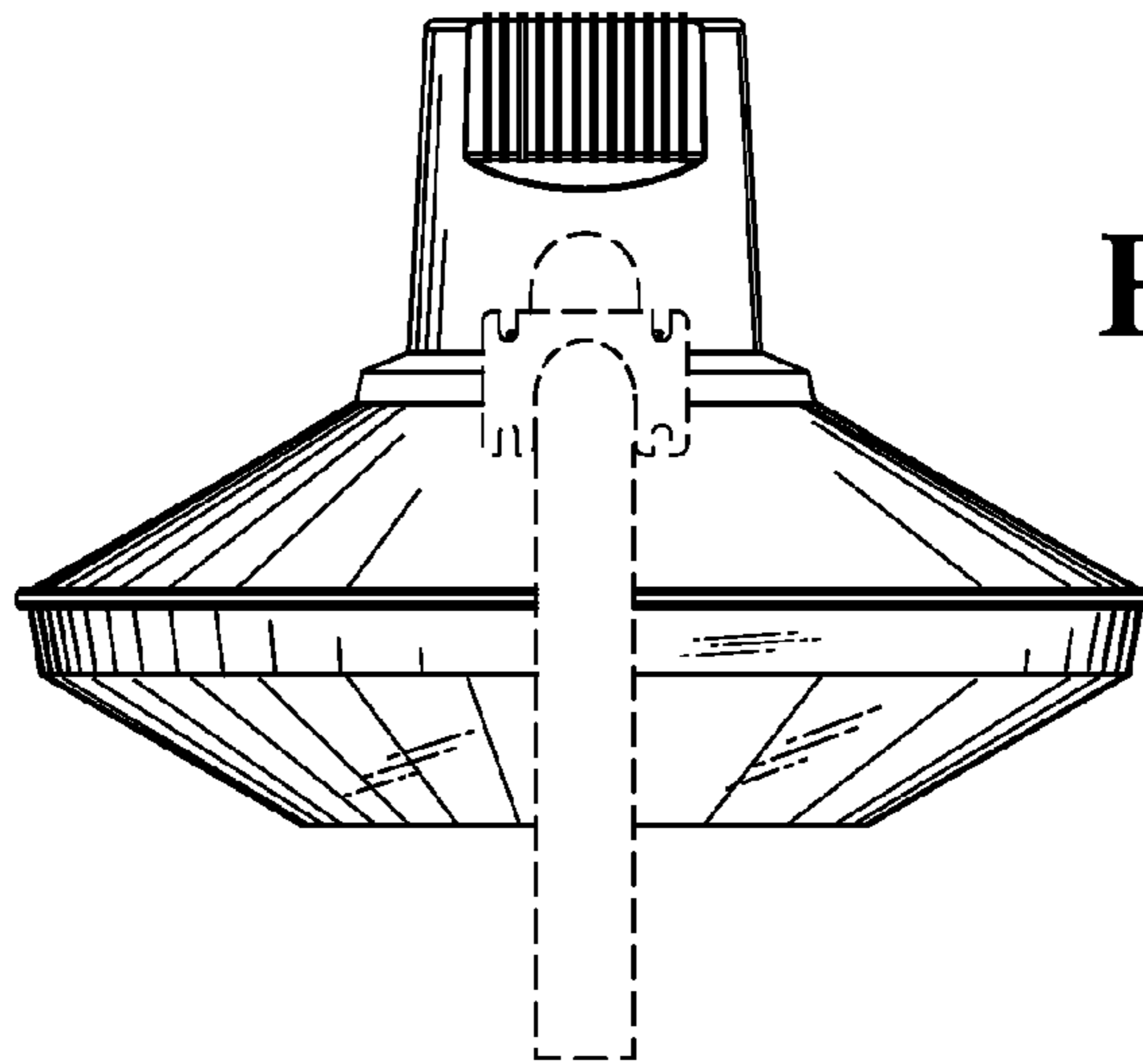


FIG. 20

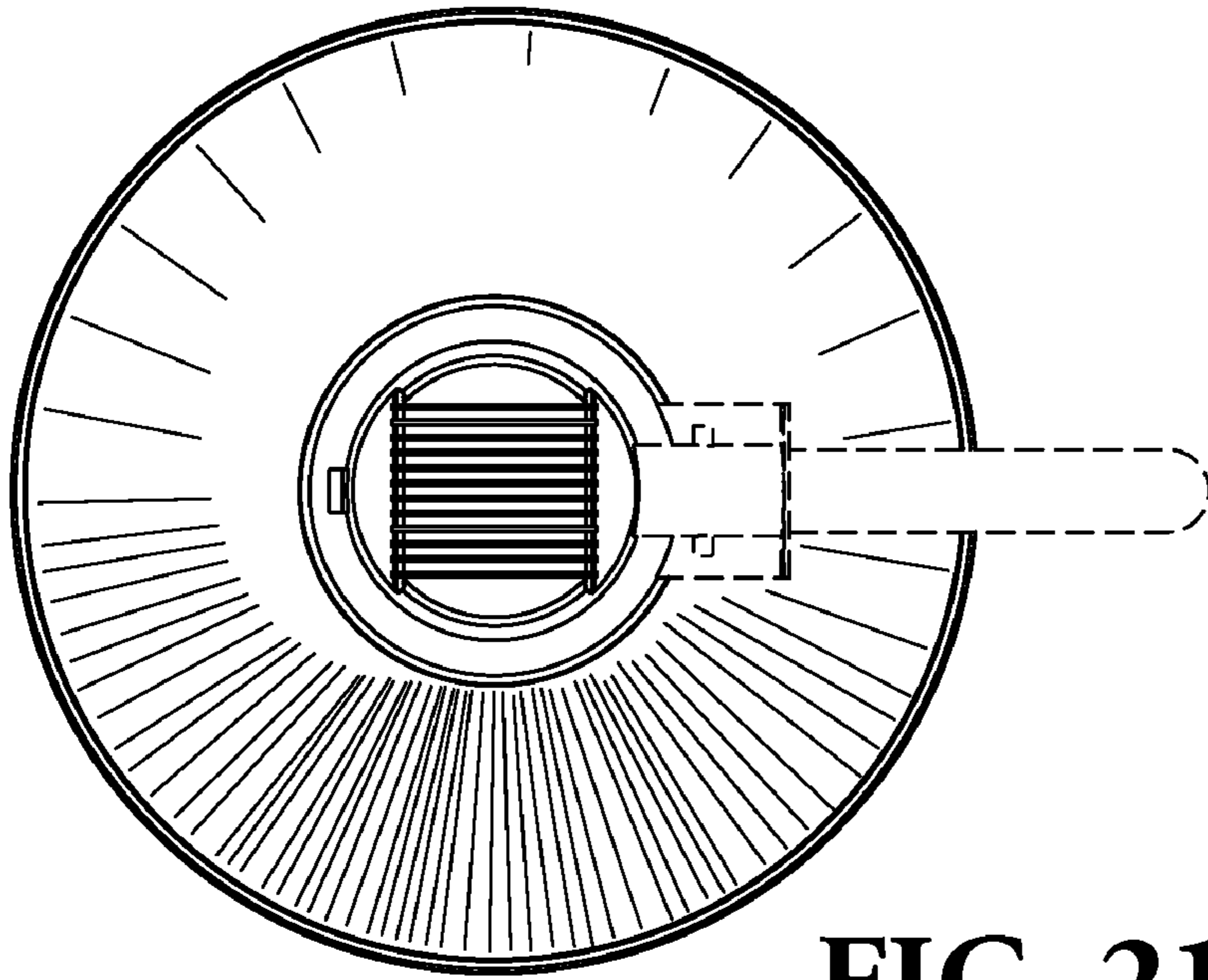


FIG. 21

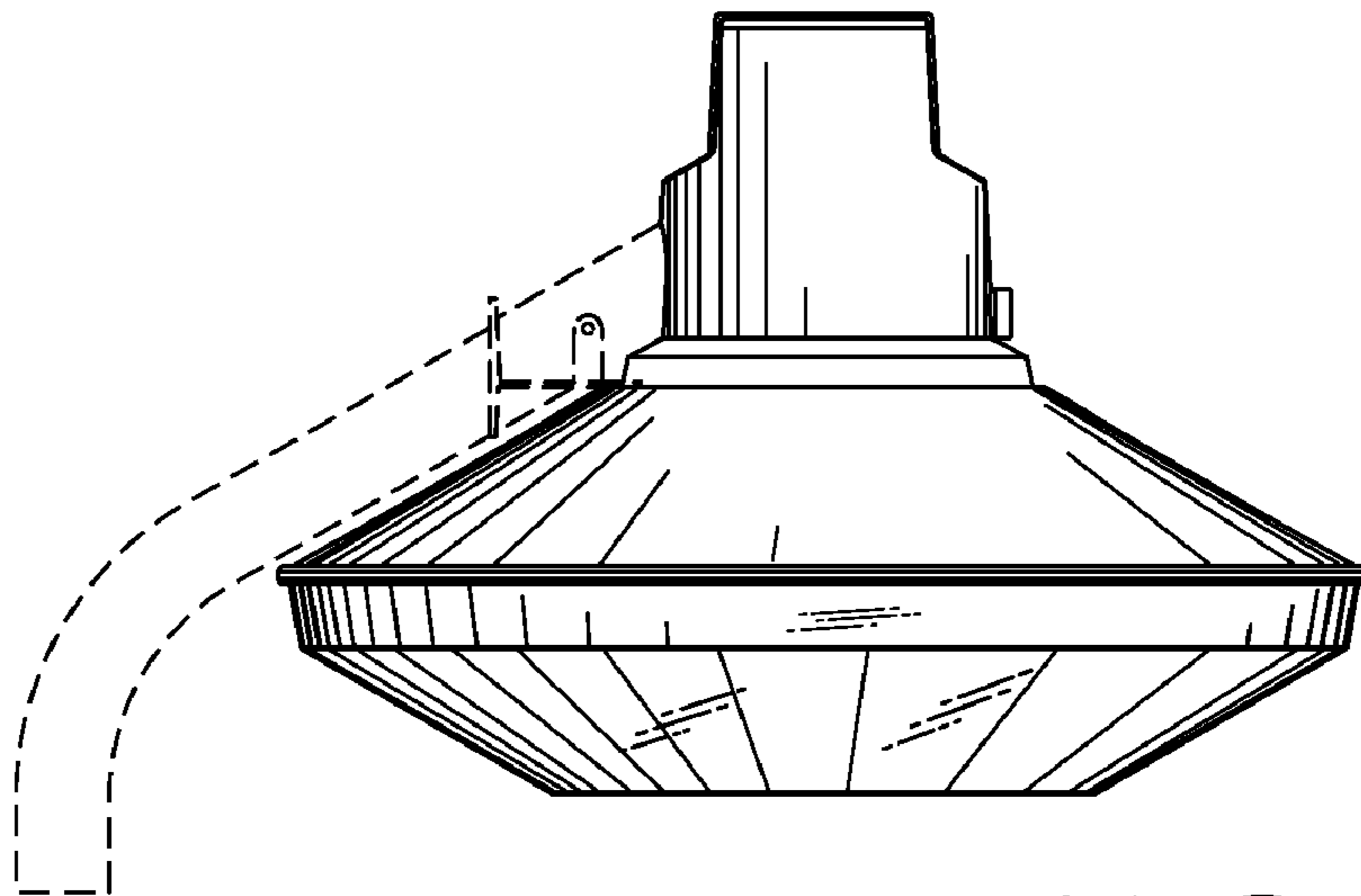


FIG. 22