



US00D558370S

(12) **United States Design Patent**
Mohammed

(10) **Patent No.:** **US D558,370 S**

(45) **Date of Patent:** **** Dec. 25, 2007**

(54) **BASE FOR A HOOKAH LAMP**

(76) Inventor: **Abraham Mohammed**, 4630 W.
Wrightwood, Chicago, IL (US) 60639

(**) Term: **14 Years**

(21) Appl. No.: **29/270,527**

(22) Filed: **Dec. 27, 2006**

(51) **LOC (8) Cl.** **26-05**

(52) **U.S. Cl.** **D26/53; D26/94; D27/162**

(58) **Field of Classification Search** D26/51,
D26/53, 61-62, 93-112; D27/162, 165,
D27/169; 131/173, 180, 183, 185, 186, 194,
131/329, 330; 362/253, 410-414, 806
See application file for complete search history.

(56) **References Cited**

U.S. PATENT DOCUMENTS

D257,568 S	11/1980	Ream
4,274,129 A	6/1981	Stevens
4,504,893 A	3/1985	Bostick, Sr.
4,648,410 A	3/1987	Seroussi
D342,805 S	12/1993	Heine et al.
D345,620 S	3/1994	Campbell
D346,328 S	4/1994	Labrie
D348,117 S	6/1994	Richardson
D349,780 S	8/1994	Heine
D350,411 S	9/1994	Heine
D358,227 S	5/1995	Heine
D358,228 S	5/1995	Heine
D358,229 S	5/1995	Heine
D368,324 S	3/1996	Heine
D376,033 S	11/1996	Heine
5,778,576 A	7/1998	Kaviani
D403,106 S	12/1998	Barnes
6,955,440 B2	10/2005	Niskanen

7,097,326 B1 8/2006 Pipolo
2005/0279371 A1* 12/2005 Billard et al. 131/185
2006/0107964 A1* 5/2006 Ohanesian 131/173

* cited by examiner

Primary Examiner—Cathron C. Brooks

Assistant Examiner—Linda Brooks

(74) *Attorney, Agent, or Firm*—Meroni & Meroni, P.C.;
Charles F. Meroni, Jr.

(57) **CLAIM**

I claim the ornamental design for a base for a hookah lamp,
as shown and described.

DESCRIPTION

FIG. 1 is a right, front perspective view for a base for a
hookah lamp showing my new design;

FIG. 2 is left side elevation of the base for a hookah lamp
as shown in FIG. 1;

FIG. 3 is a right side elevation of the base for a hookah lamp
as shown in FIG. 1;

FIG. 4 is a rear elevation of a base for a hookah lamp as
shown in FIG. 1;

FIG. 5 is front elevation of the base for a hookah lamp as
shown in FIG. 1;

FIG. 6 is bottom plan view of the base for a hookah lamp as
shown in FIG. 1; and,

FIG. 7 is a top plan view of the base for a hookah lamp, as
shown in FIG. 1.

The broken lines on my base for a hookah lamp as shown in
FIGS. 1-7 are for illustrative purposes only and are not part
of the claimed design.

1 Claim, 7 Drawing Sheets

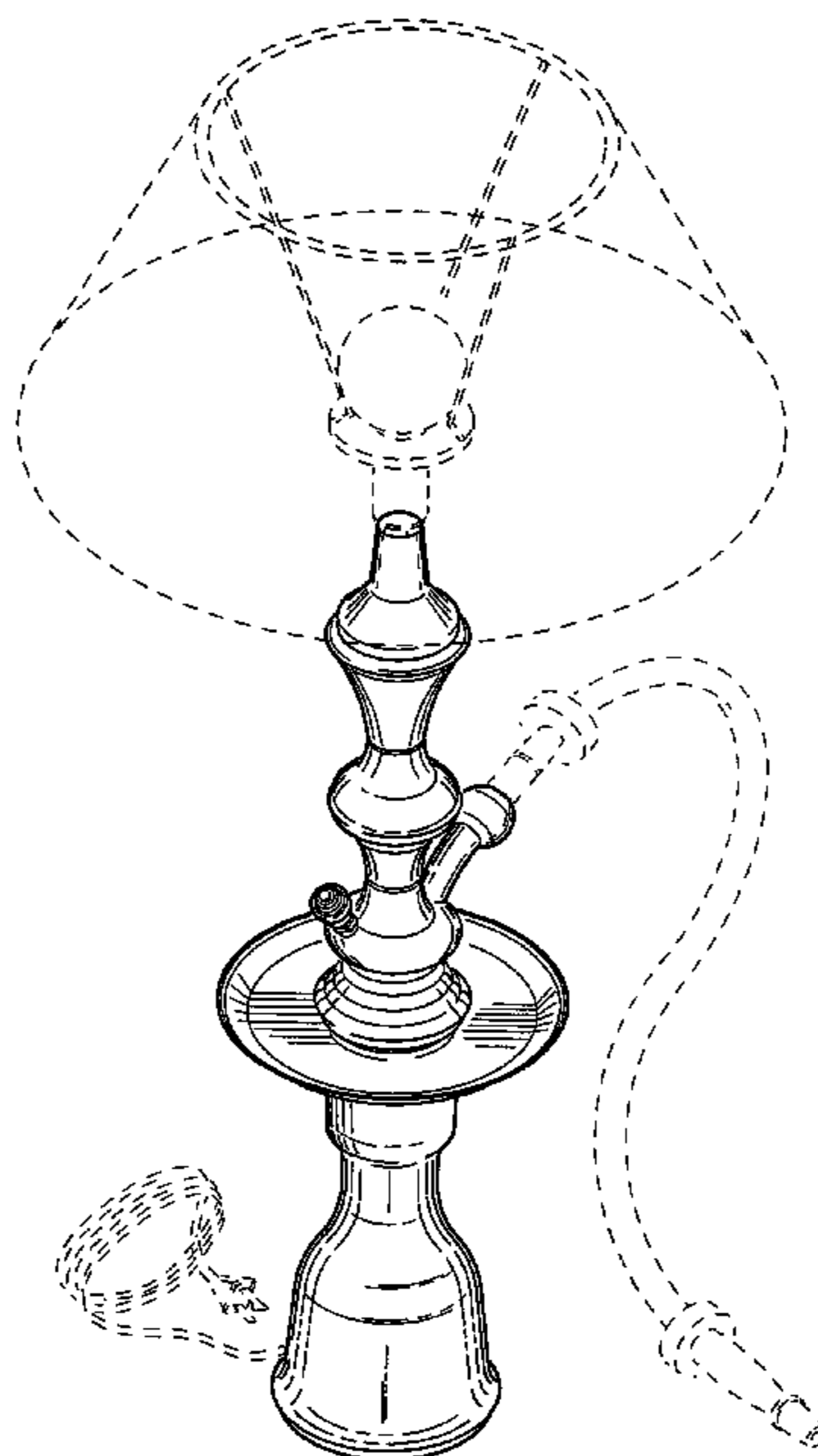
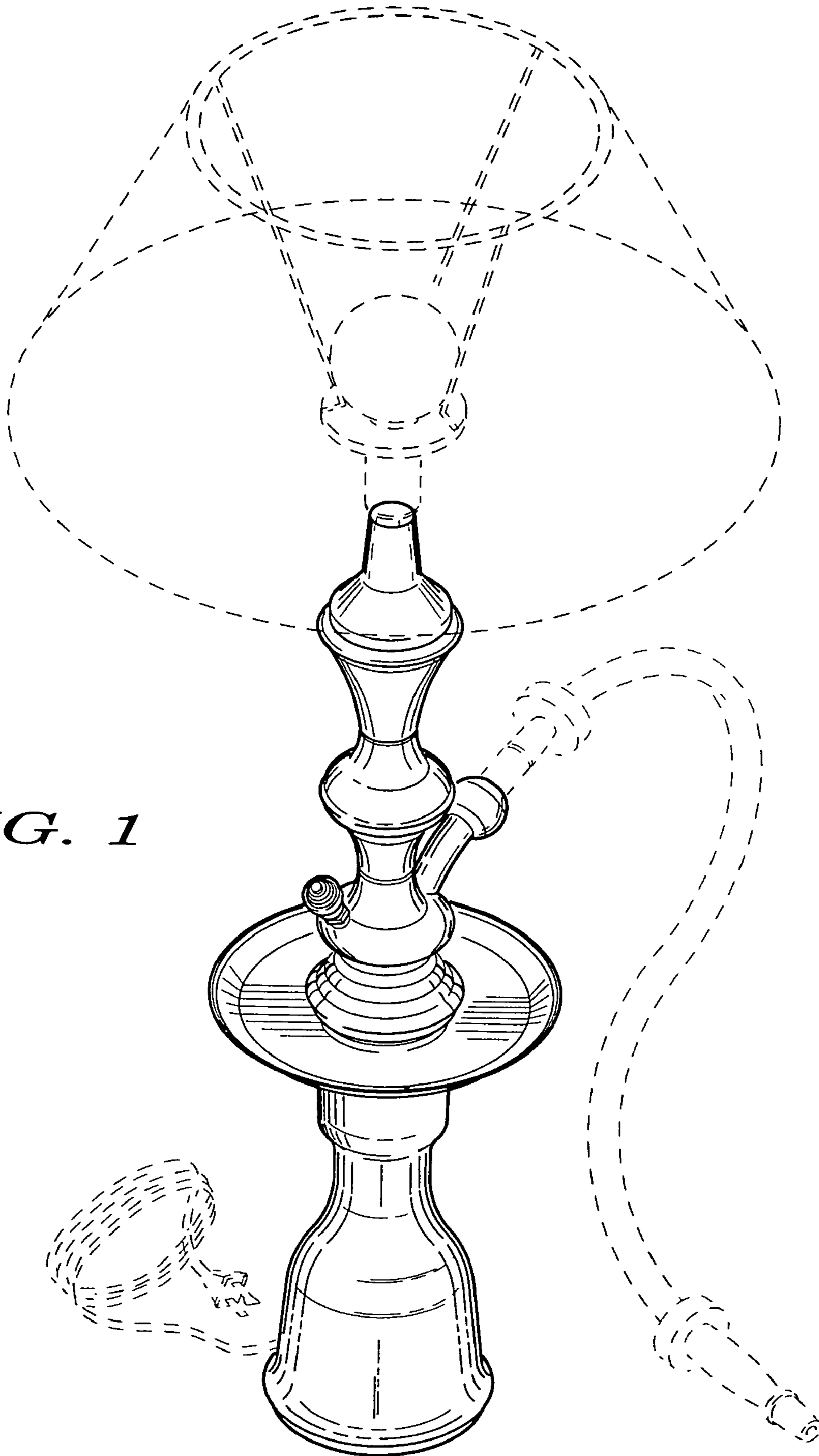


FIG. 1



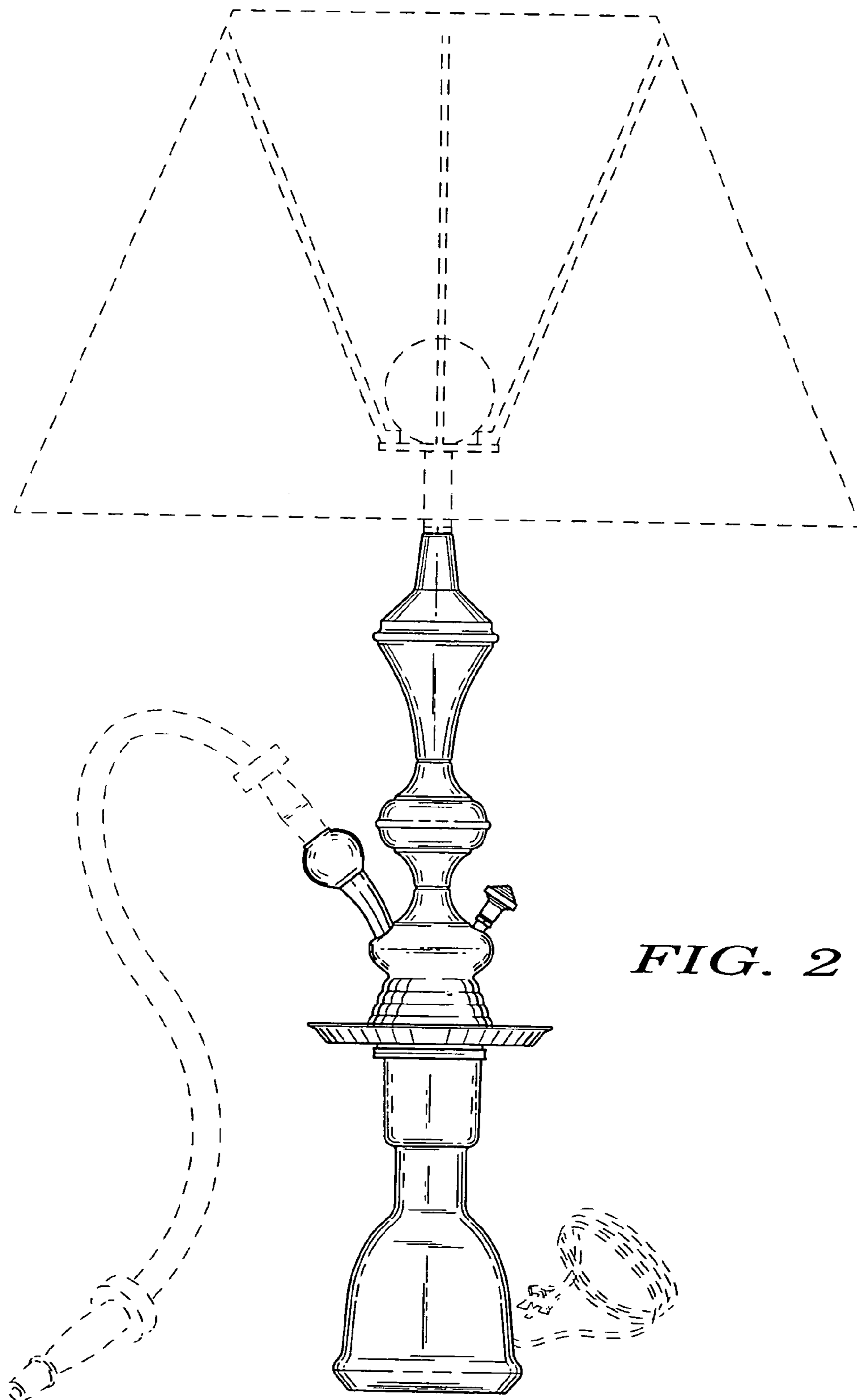
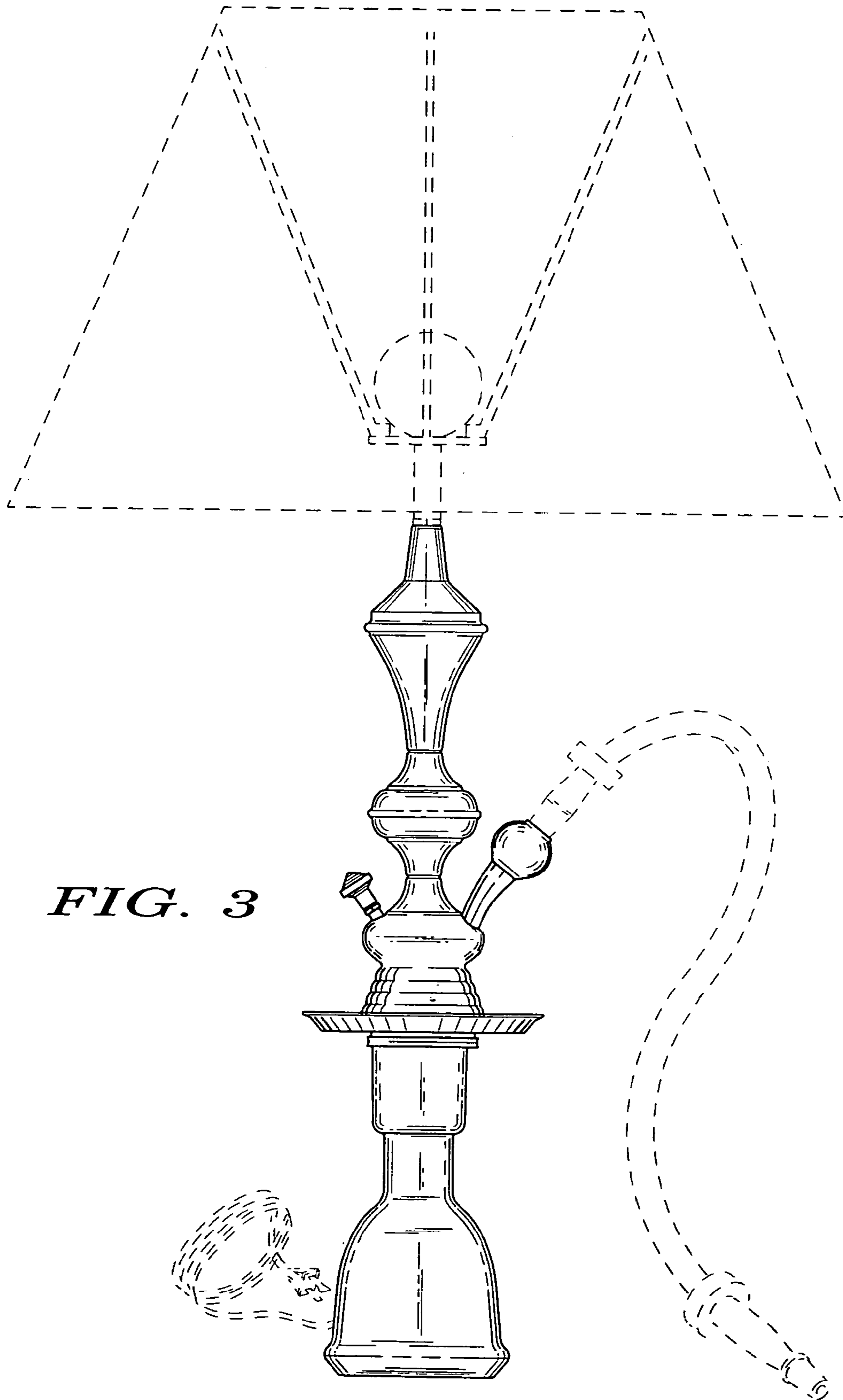


FIG. 2



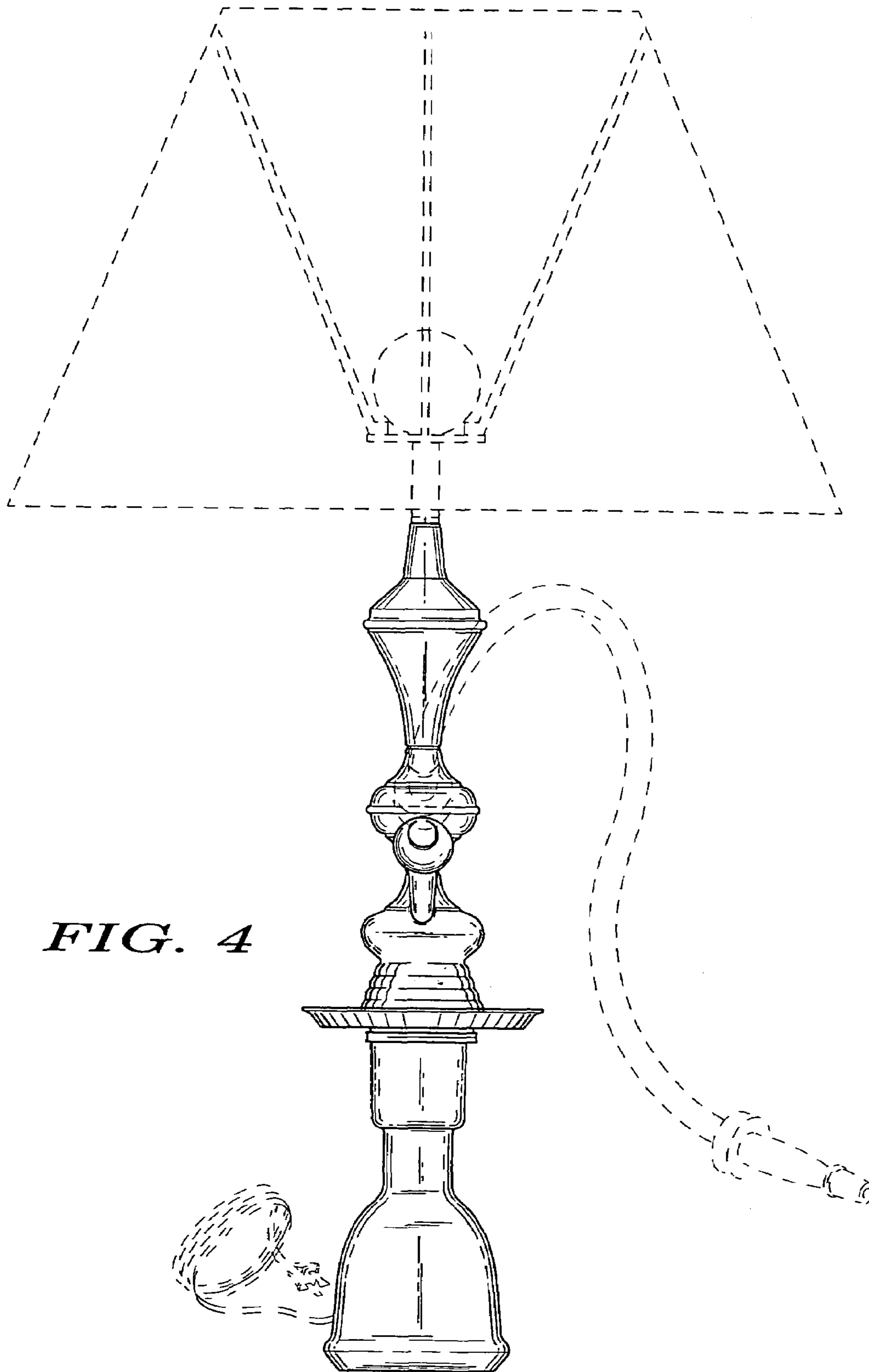


FIG. 4

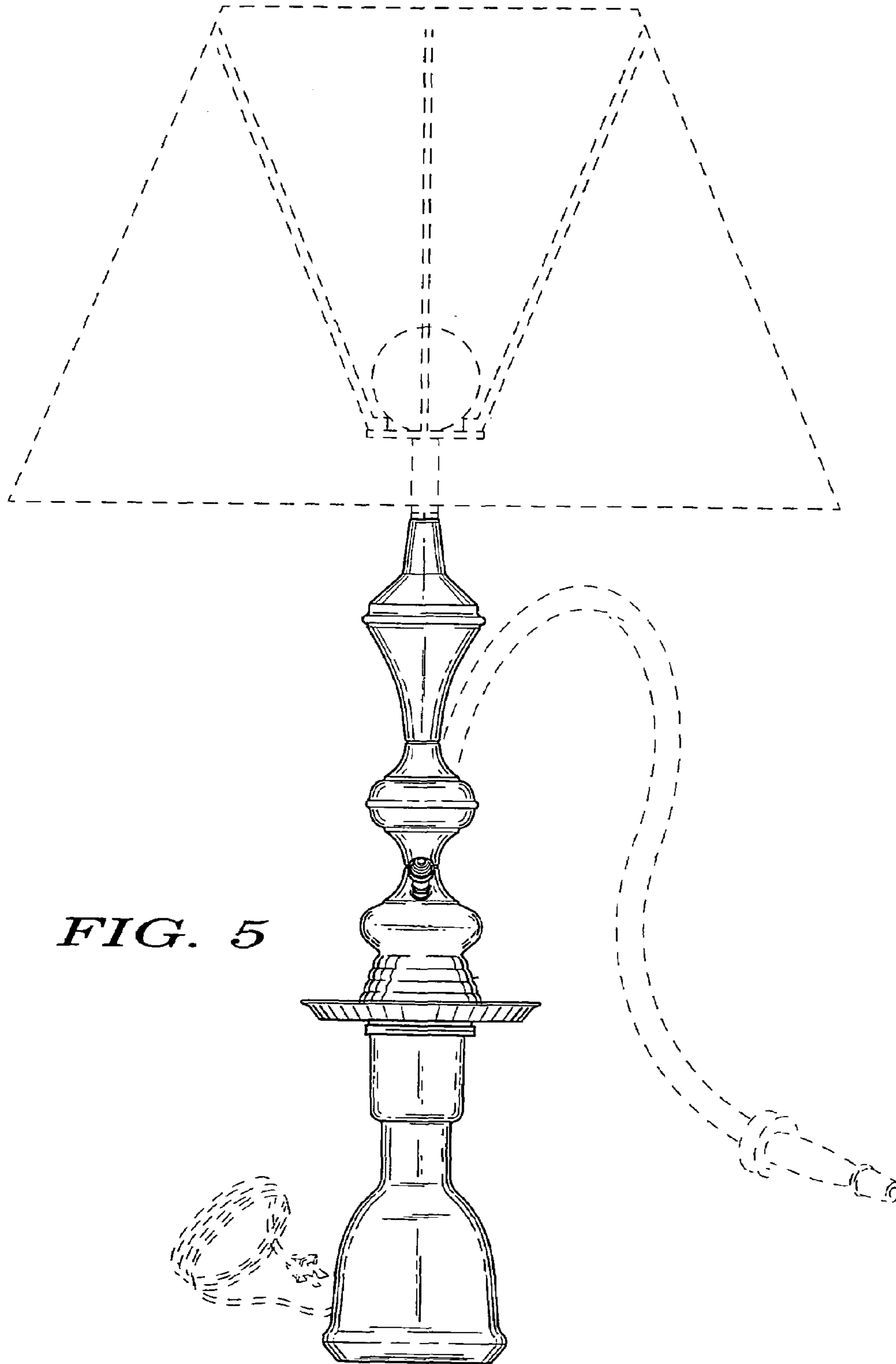


FIG. 5

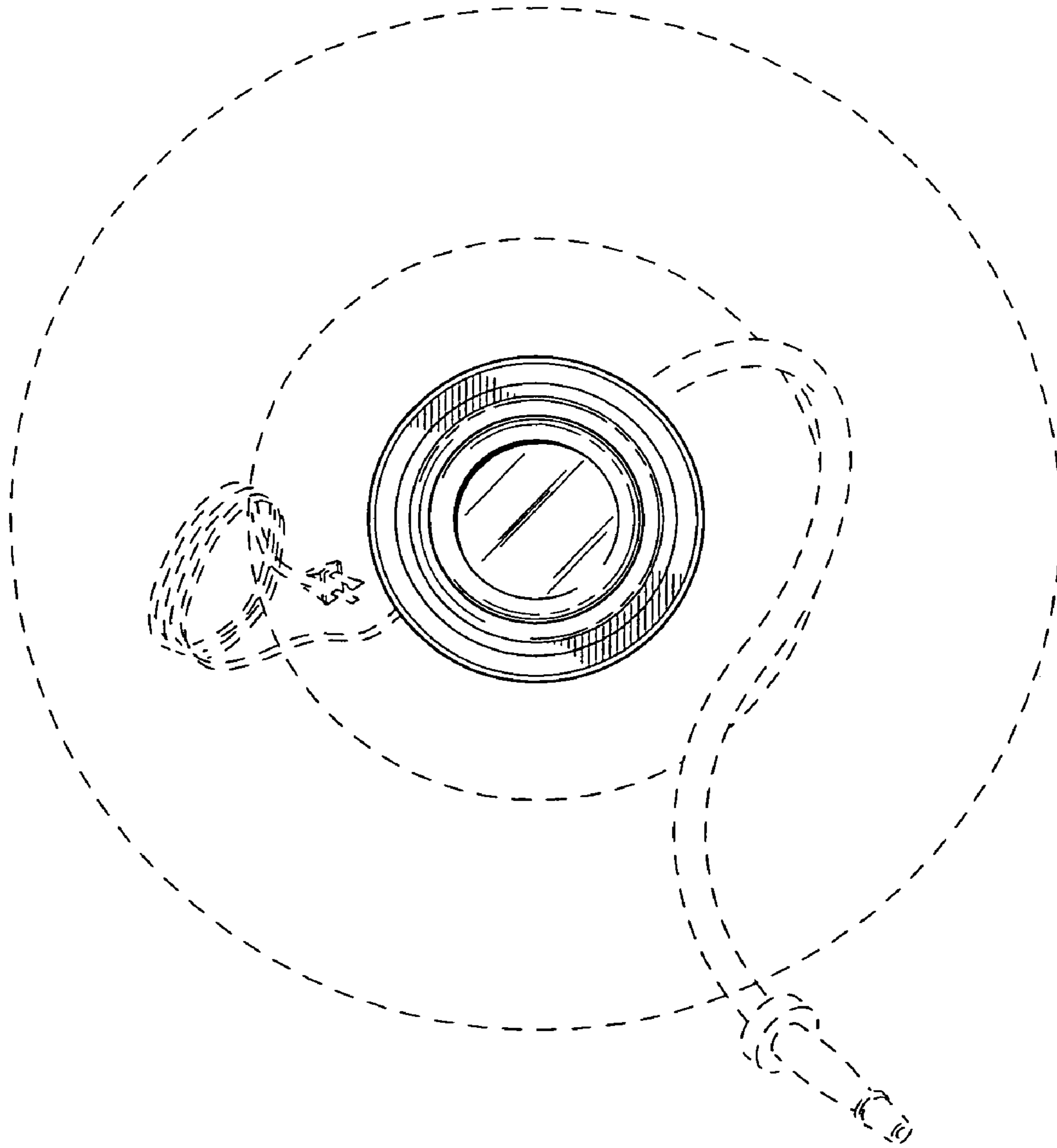


FIG. 6

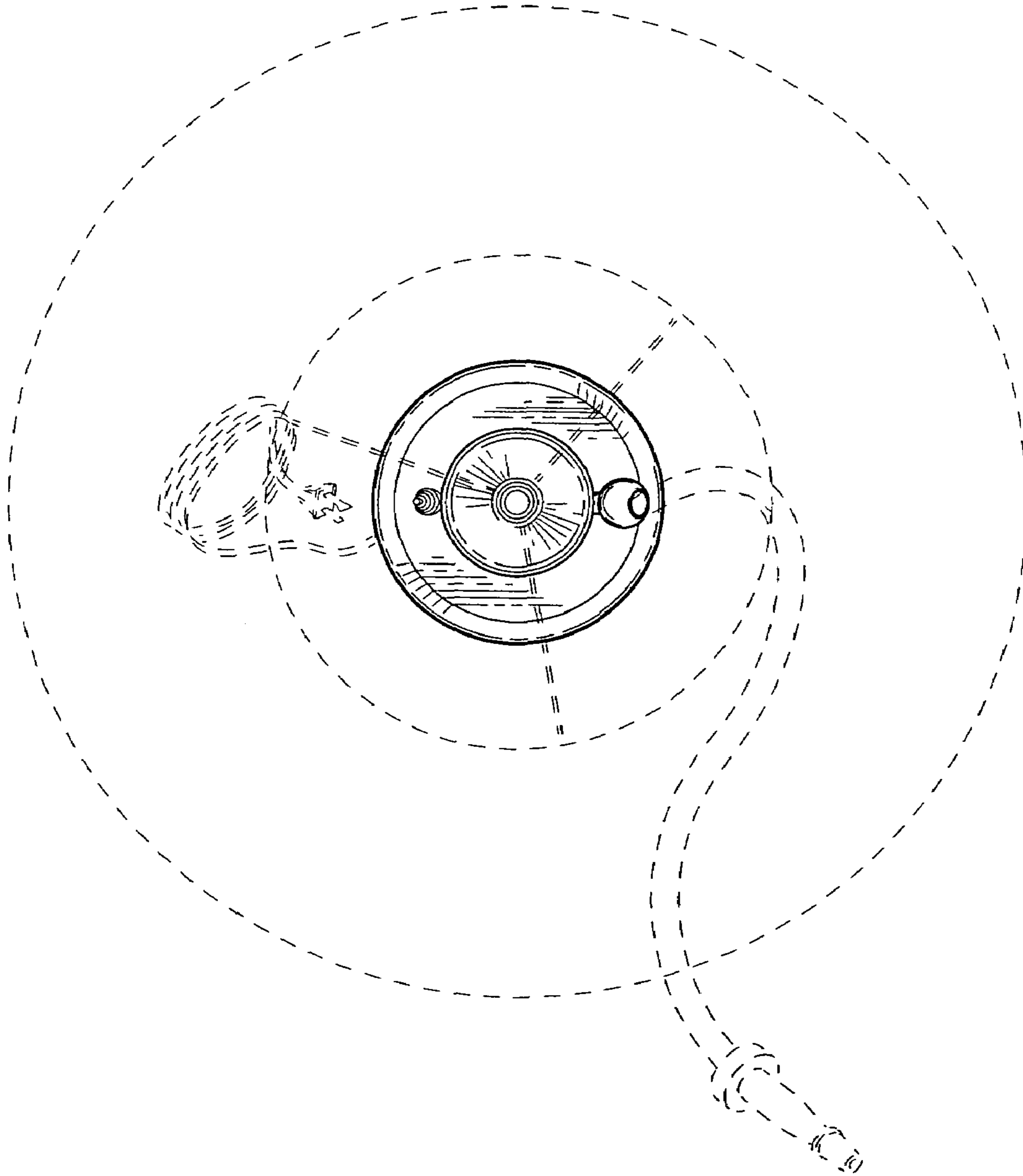


FIG. 7