



US00D558369S

(12) **United States Design Patent**
O'Hern

(10) **Patent No.:** **US D558,369 S**

(45) **Date of Patent:** **** Dec. 25, 2007**

(54) **WORK LIGHT**

D505,220 S 5/2005 Stekelenburg
D519,238 S 4/2006 Leen

(75) Inventor: **Adam M. O'Hern**, Cockeysville, MD
(US)

* cited by examiner

(73) Assignee: **Black & Decker Inc.**, Newark, DE
(US)

Primary Examiner—Marcus A Jackson
(74) *Attorney, Agent, or Firm*—John Yun; Bruce S. Shapiro;
Wesley Muller

(**) Term: **14 Years**

(57) **CLAIM**

(21) Appl. No.: **29/272,640**

The ornamental design for a work light, as shown and described.

(22) Filed: **Feb. 13, 2007**

(51) **LOC (8) Cl.** **26-02**

(52) **U.S. Cl.** **D26/42**

(58) **Field of Classification Search** D26/37-50;
362/157, 158, 171-174, 183-208
See application file for complete search history.

DESCRIPTION

FIG. 1 is a front perspective view of a work light of the present invention.

FIG. 2 is a front view of the work light according to FIG. 1.

FIG. 3 is a rear view of the work light according to FIG. 1.

FIG. 4 is a right side view of the work light according to FIG. 1.

FIG. 5 is a left side view of the work light according to FIG. 1.

FIG. 6 is a top view of the work light according to FIG. 1; and,

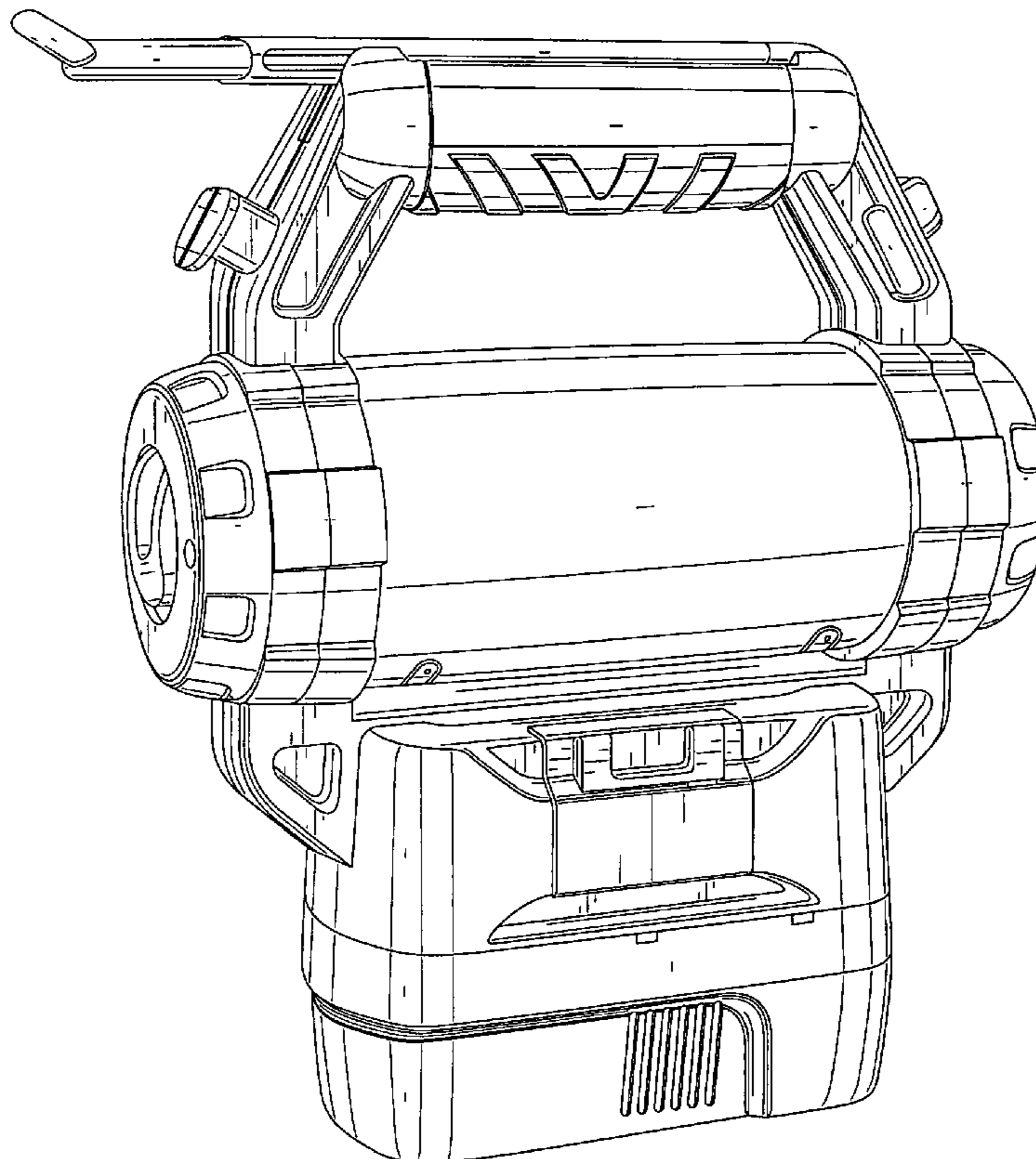
FIG. 7 is a bottom view of the work light according to FIG. 1.

(56) **References Cited**

U.S. PATENT DOCUMENTS

| | | | |
|--------------|---------|----------------|---------|
| D351,037 S | 9/1994 | Poon | |
| 5,415,420 A | 5/1995 | Koeller | |
| D359,371 S | 6/1995 | Osteen et al. | |
| D387,348 S * | 12/1997 | Lam et al. | D14/168 |
| D443,372 S * | 6/2001 | Yuen | D26/42 |
| D475,150 S | 5/2003 | Yuen | |
| D491,681 S * | 6/2004 | Hirano | D26/42 |
| 6,799,863 B2 | 10/2004 | Offiler et al. | |

1 Claim, 7 Drawing Sheets



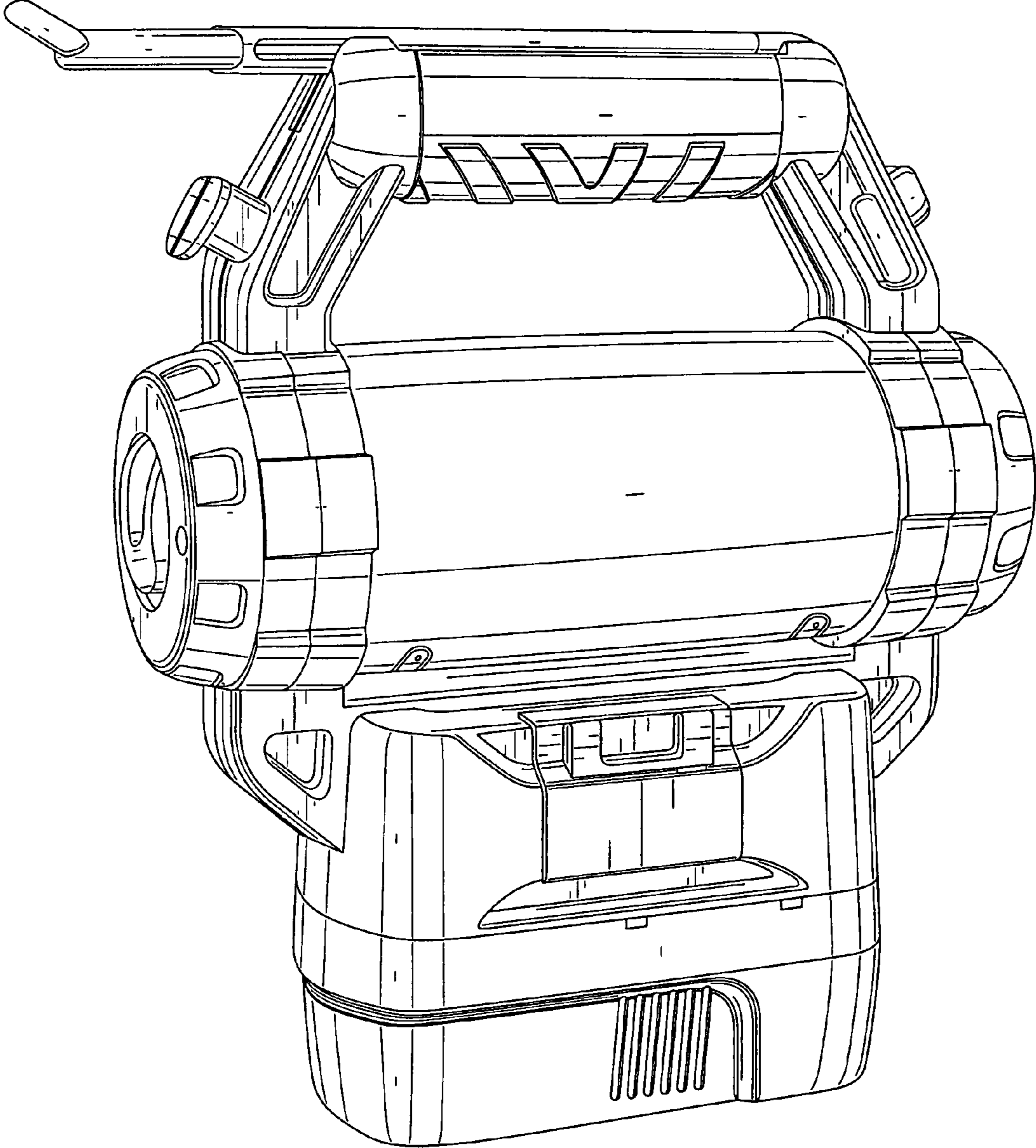


FIG. 1

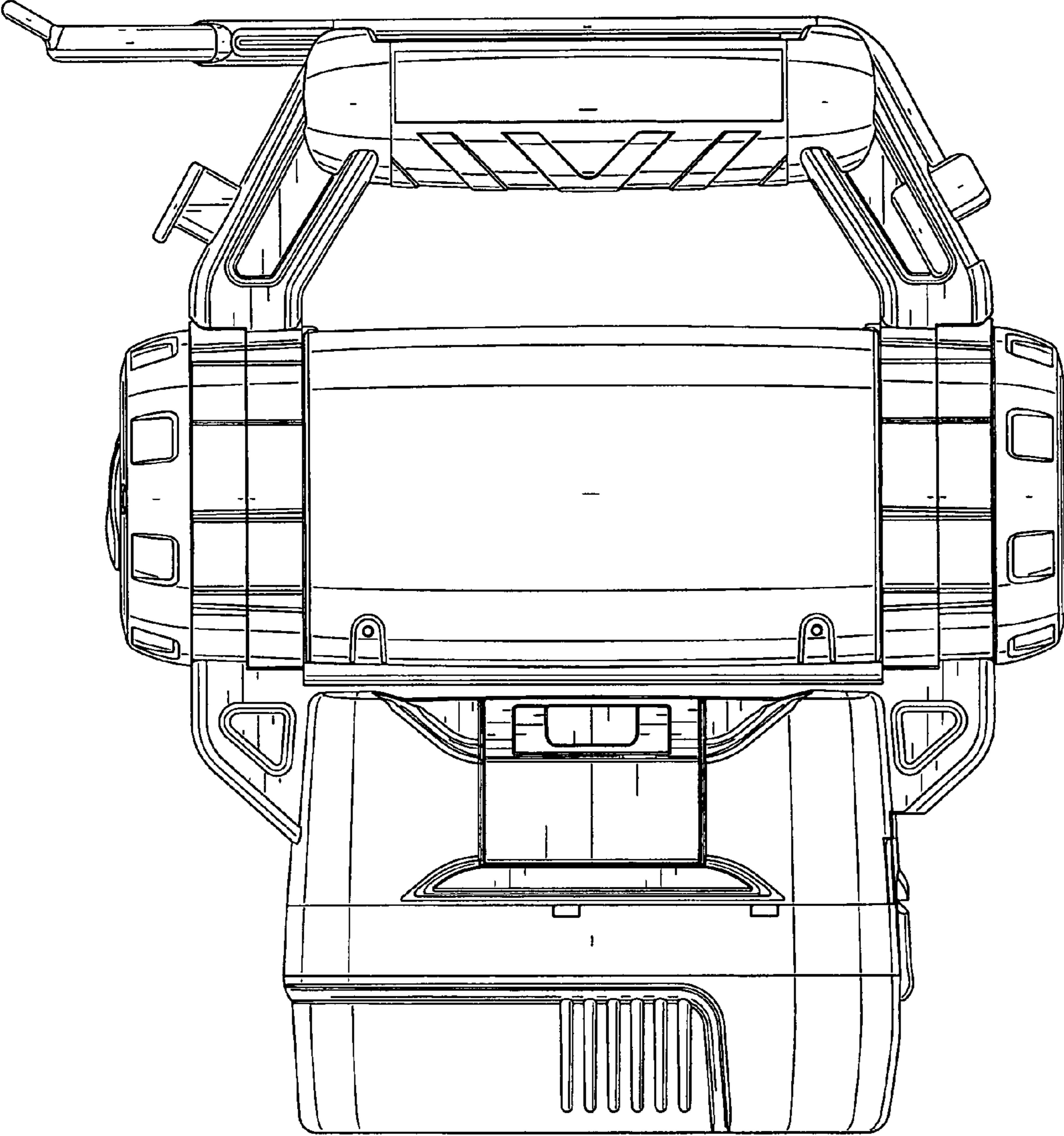


FIG. 2

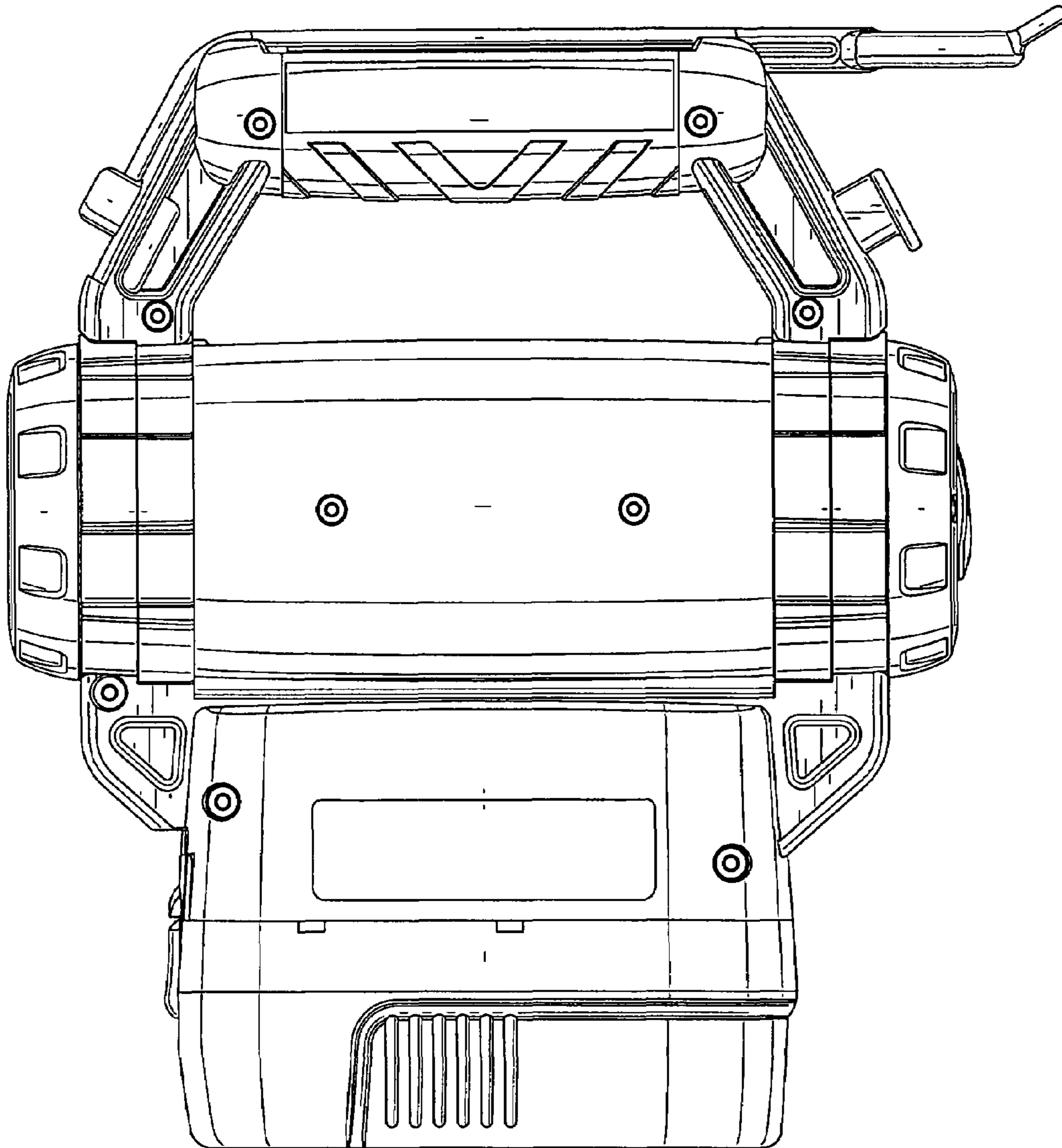


FIG. 3

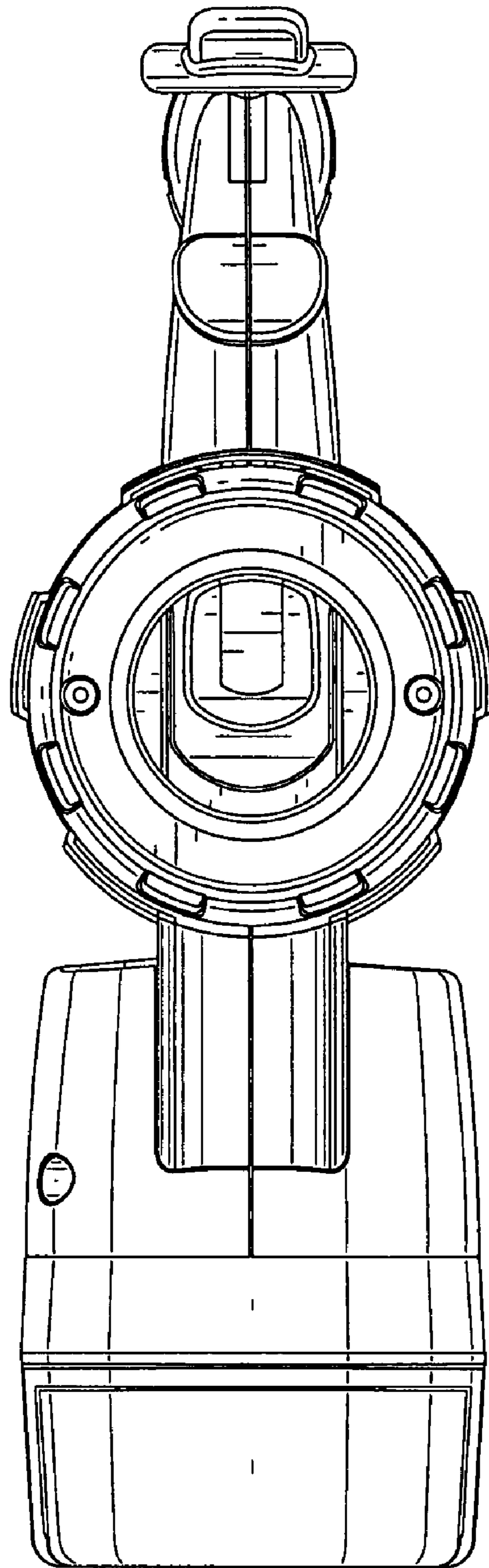


FIG. 4

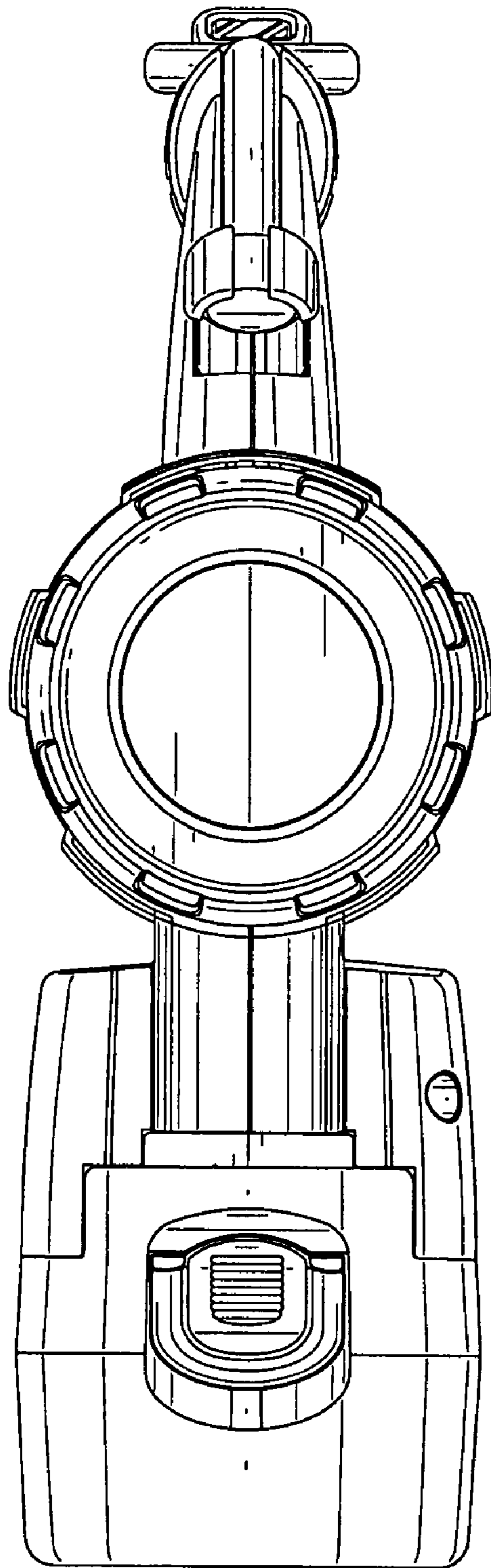


FIG. 5

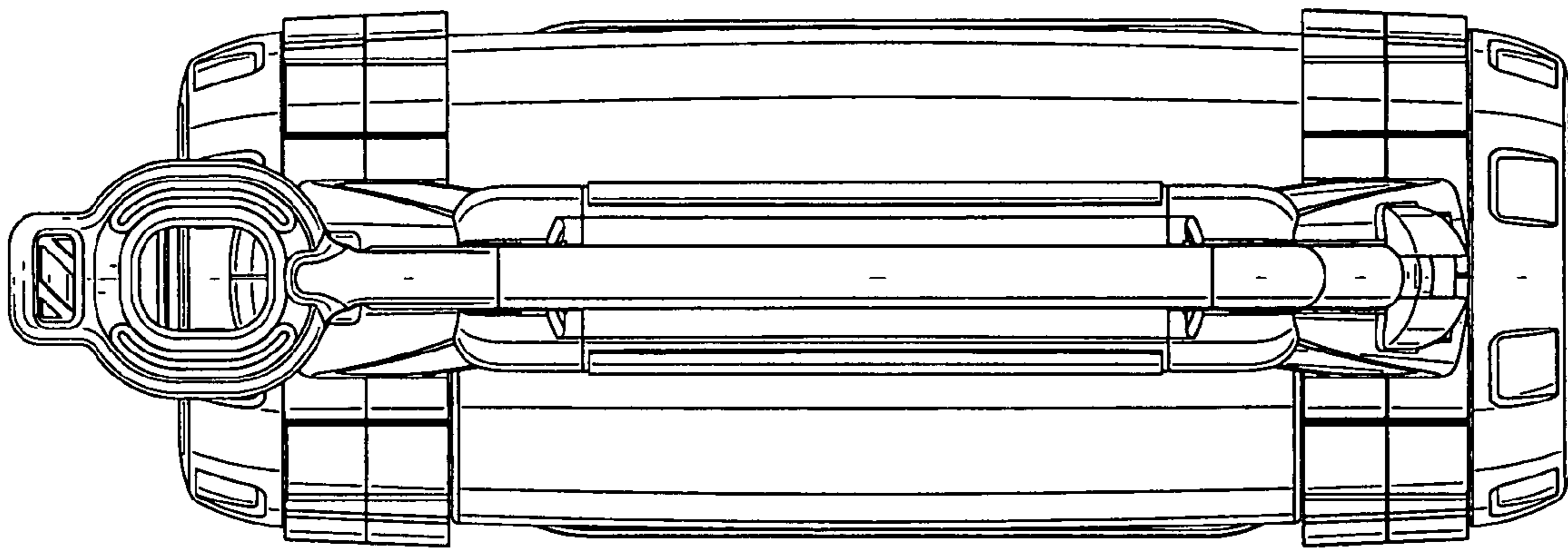


FIG. 6

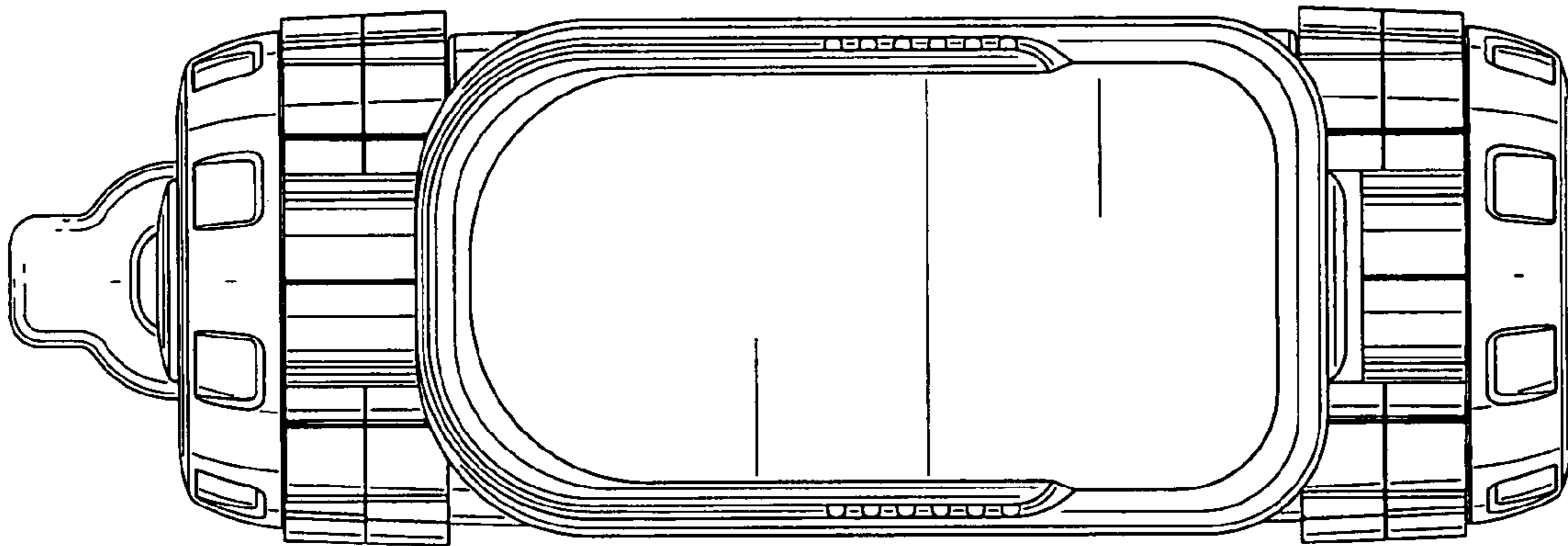


FIG. 7