



US00D558367S

(12) **United States Design Patent** (10) **Patent No.:** **US D558,367 S**  
**Lukasak et al.** (45) **Date of Patent:** **\*\* Dec. 25, 2007**

(54) **VEHICLE HEADLIGHT**

(74) *Attorney, Agent, or Firm*—Plumsea Law Group, LLC

(75) Inventors: **Patrick L. Lukasak**, Pasadena, CA  
(US); **William R. Yex**, Redondo Beach,  
CA (US)

(57) **CLAIM**

The ornamental design for a vehicle headlight, as shown and described.

(73) Assignee: **Honda Motor Co., Ltd.**, Tokyo (JP)

(\*\*) Term: **14 Years**

**DESCRIPTION**

(21) Appl. No.: **29/279,907**

FIG. 1 is a perspective view of a vehicle headlight showing our new design;

(22) Filed: **May 10, 2007**

FIG. 2 is a side elevational view thereof;

(51) **LOC (8) Cl.** ..... **26-06**

FIG. 3 is a front elevational view thereof;

(52) **U.S. Cl.** ..... **D26/28**

FIG. 4 is a perspective view of a right-handed version thereof;

(58) **Field of Classification Search** ..... D26/28-36;  
362/459-468, 475, 478, 485-487  
See application file for complete search history.

FIG. 5 is a side elevational view of a right-handed version thereof;

(56) **References Cited**

FIG. 6 is a front elevational view of a right-handed version thereof; and,

**U.S. PATENT DOCUMENTS**

FIG. 7 is a frontal perspective view of the headlights of FIGS. 1 and 4 as they would appear on a vehicle.

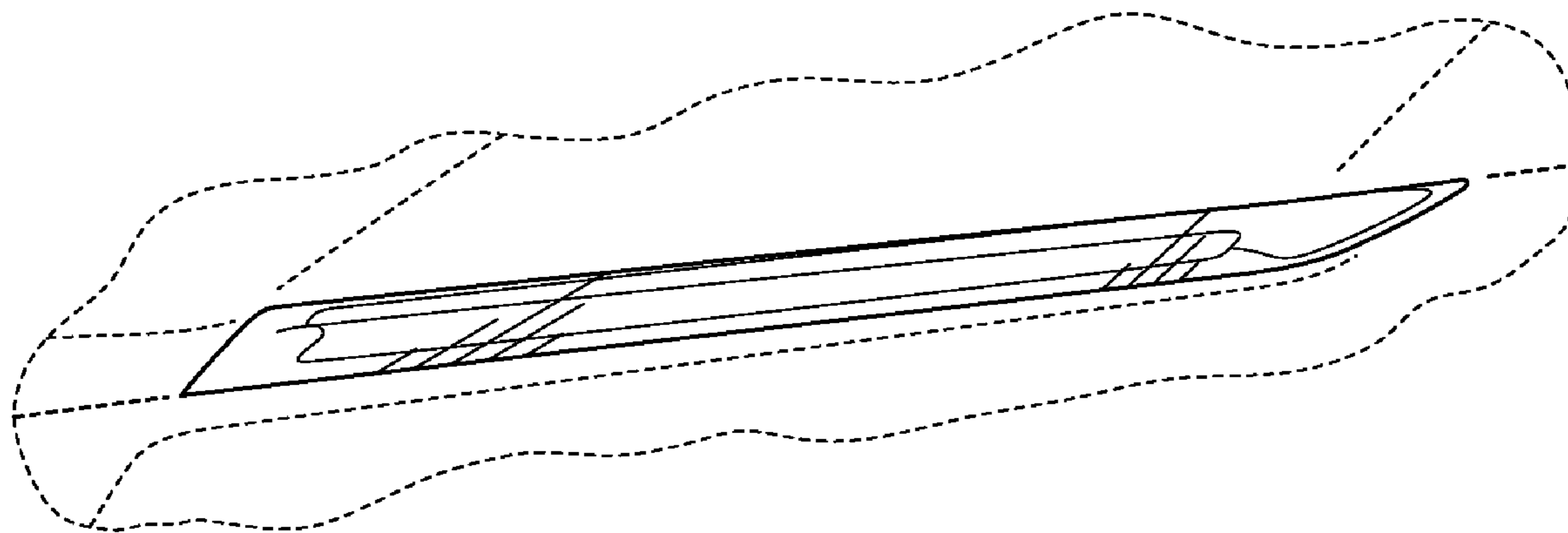
D536,809 S *	2/2007	James	.....	D26/28
D544,114 S *	6/2007	Ohta	.....	D26/28
D544,614 S *	6/2007	Markefka	.....	D26/28

The broken line showings of the surrounding vehicle front end area in FIGS. 1-6, and the remainder of the vehicle in FIG. 7 are for illustrative purposes only and form no part of the claimed design.

\* cited by examiner

*Primary Examiner*—Marcus A. Jackson

**1 Claim, 3 Drawing Sheets**



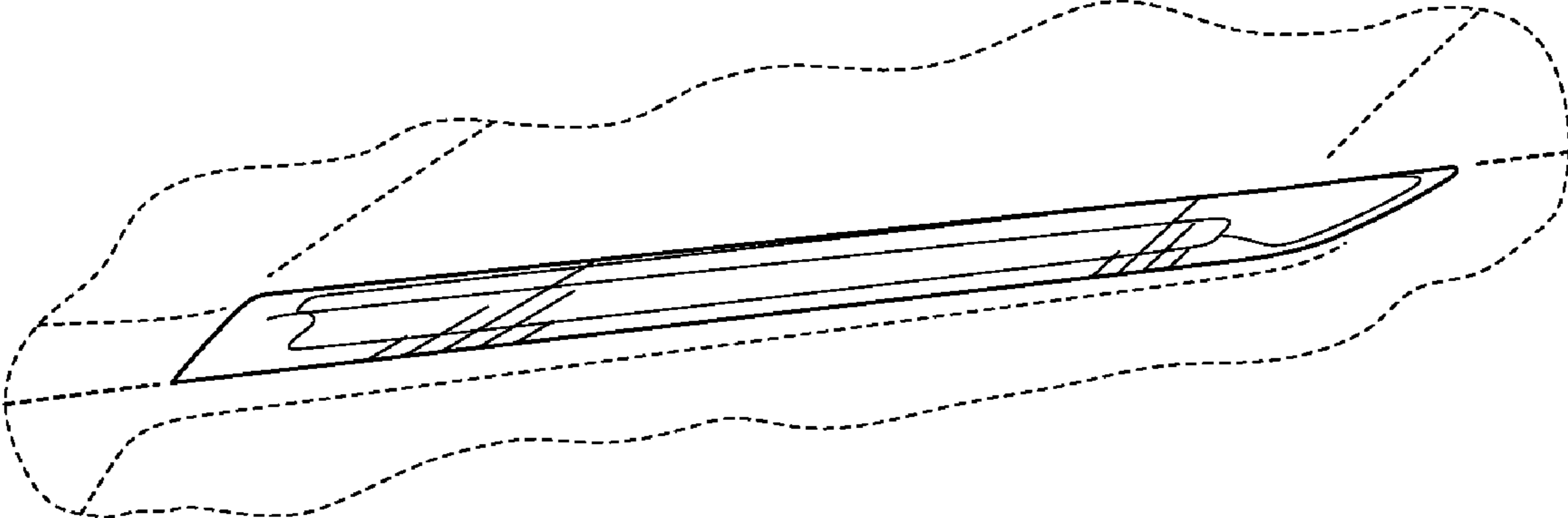


FIG. 1

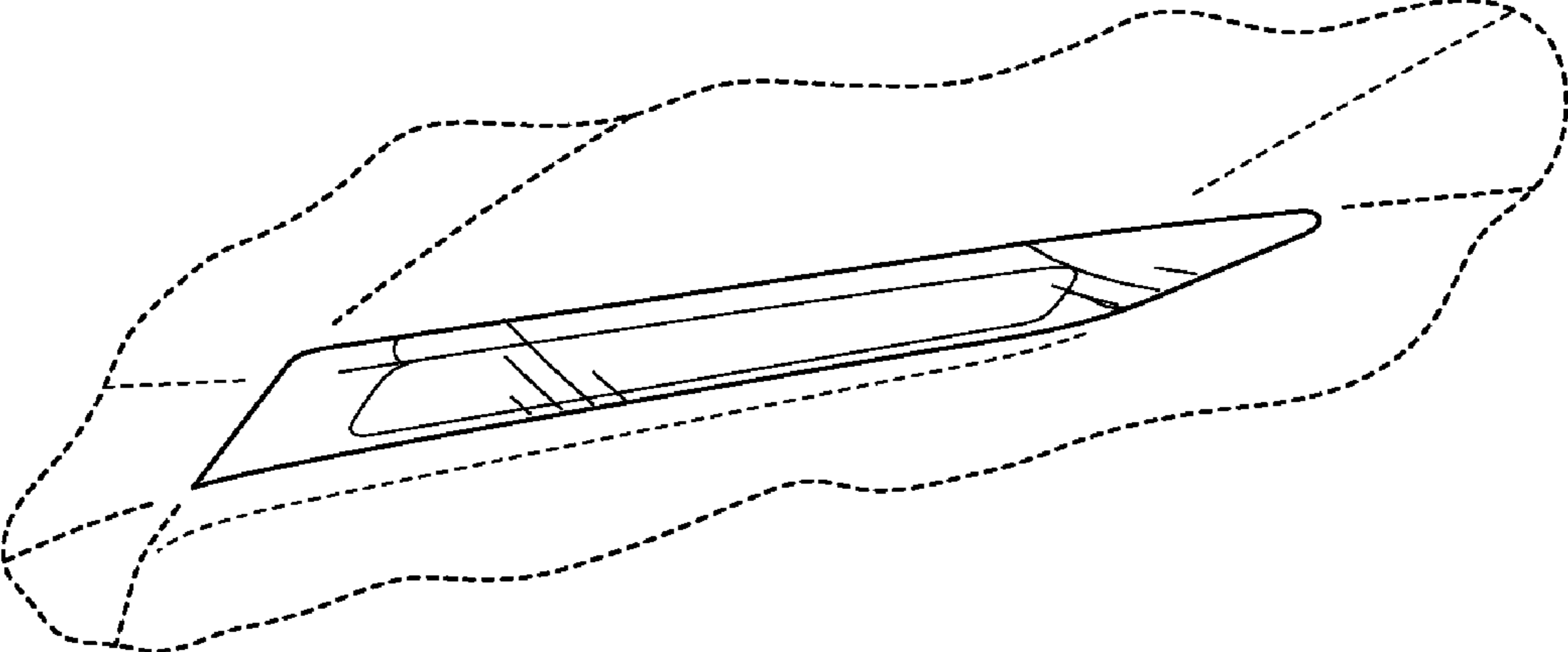


FIG. 2

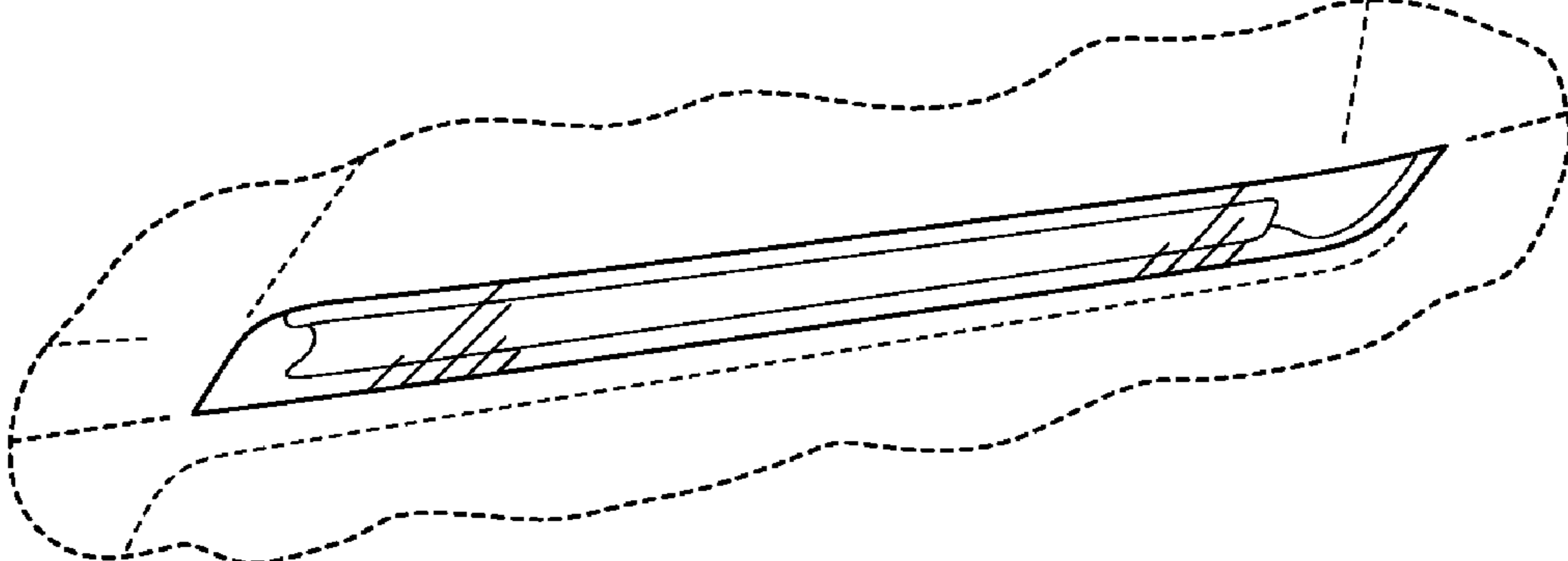


FIG. 3

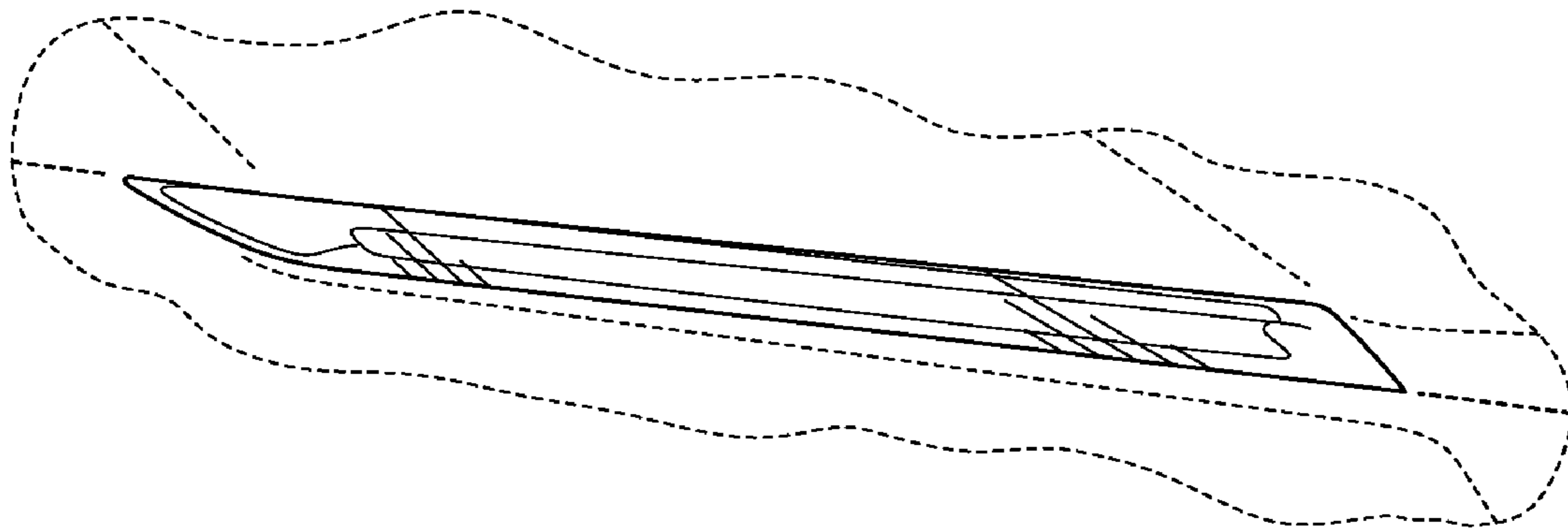


FIG. 4

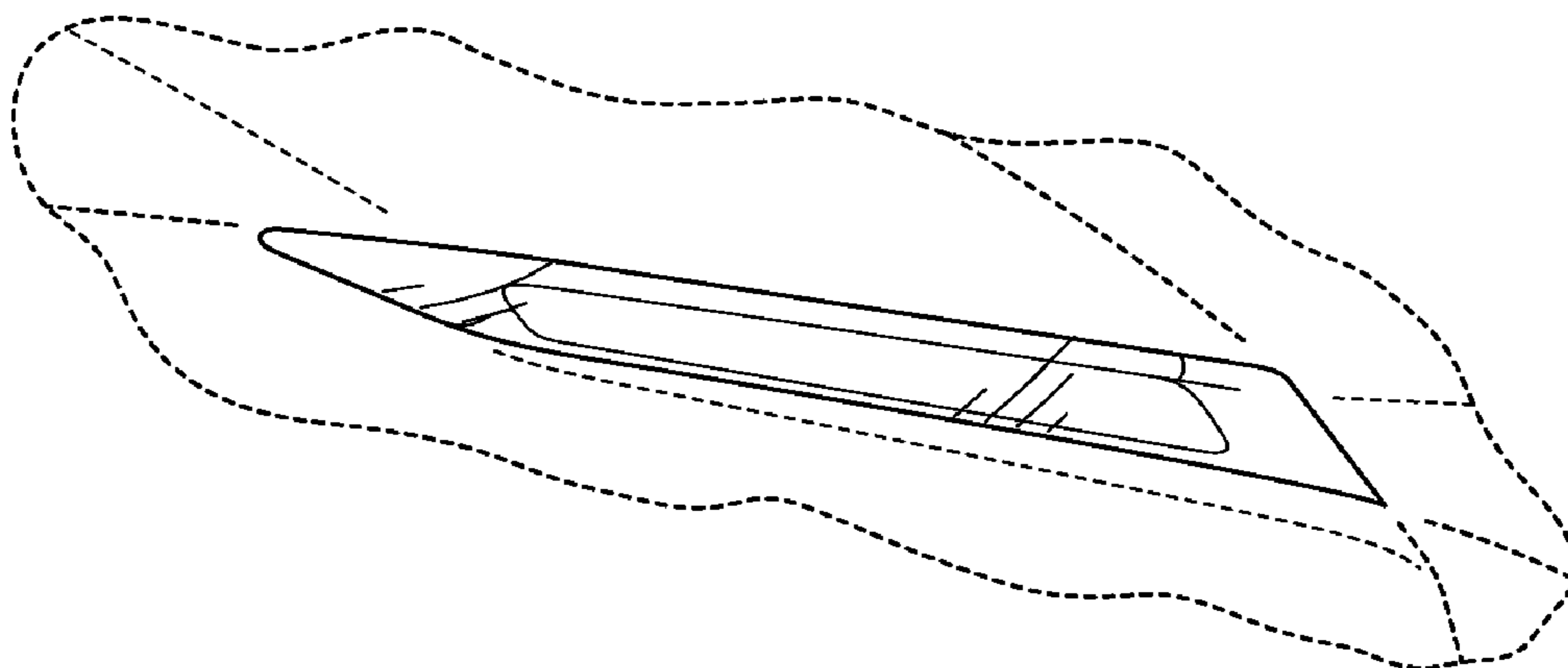


FIG. 5

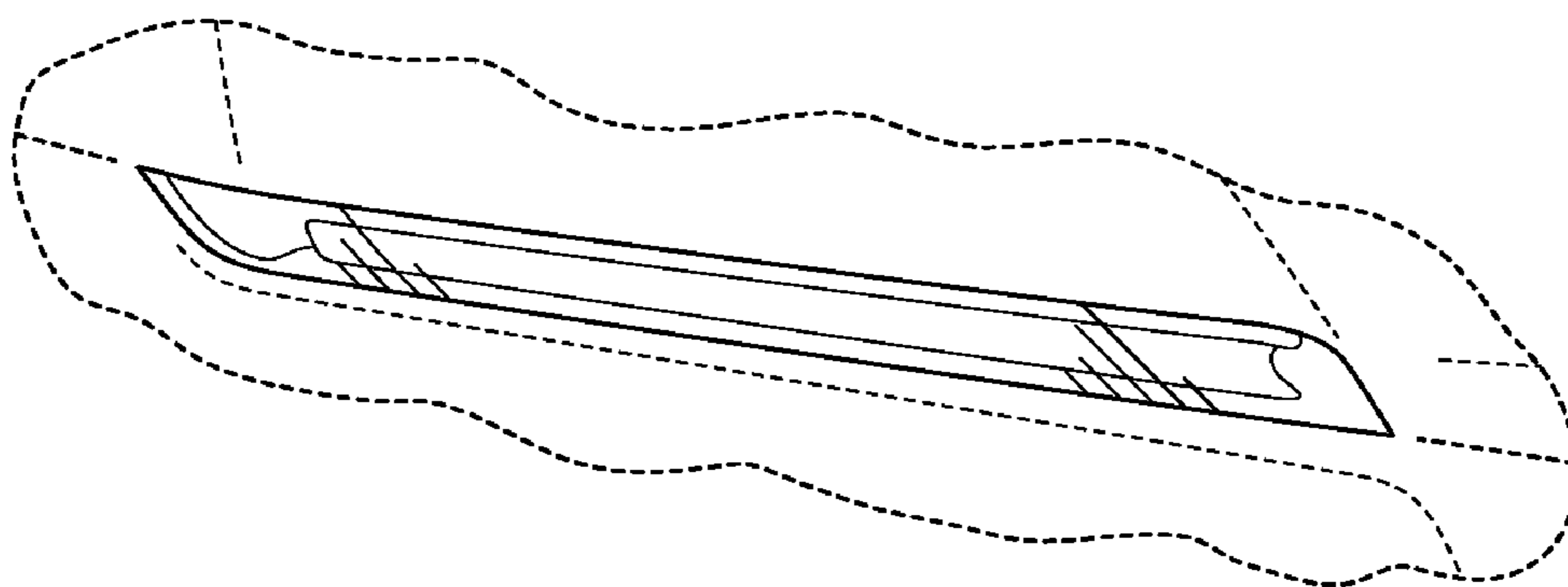


FIG. 6

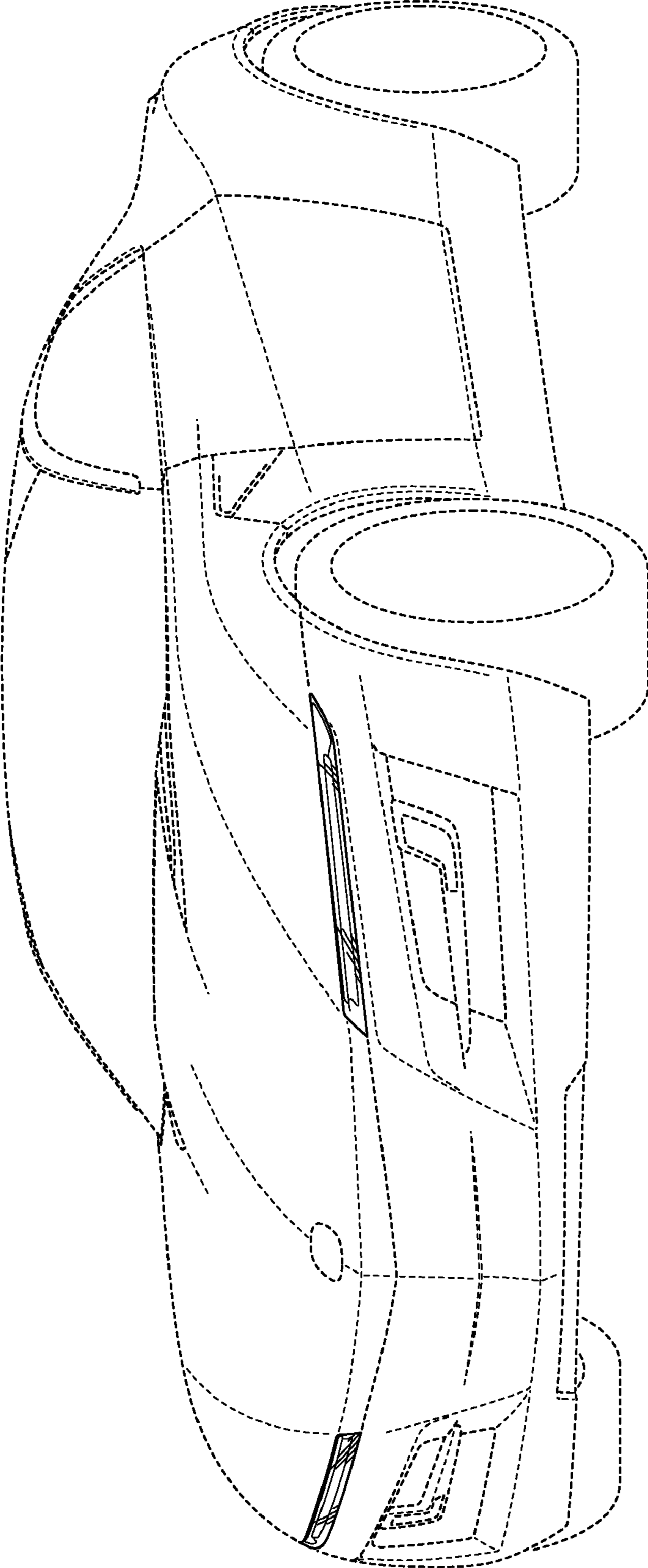


FIG. 7