



US00D558362S

(12) **United States Design Patent**
Fannan

(10) **Patent No.:** **US D558,362 S**
(45) **Date of Patent:** **** Dec. 25, 2007**

(54) **WINDOW COMPONENT EXTRUSION 9499**

D471,994 S * 3/2003 Chaney et al. D25/124
D493,894 S 8/2004 Wickland

(75) Inventor: **Michael R. Fannan**, Pecatonica, IL
(US)

(73) Assignee: **Mikron Industries, Inc.**, Kent, WA
(US)

(**) Term: **14 Years**

(21) Appl. No.: **29/268,599**

(22) Filed: **Nov. 9, 2006**

(51) **LOC (8) Cl.** **25-01**

(52) **U.S. Cl.** **D25/124**

(58) **Field of Classification Search** D25/119,
D25/124, 52, 60, 125; 52/204.1, 204.2, 204.5,
52/204.51, 656.5, 656.6, 213, 215, 204.71,
52/204.55, 204.593, 204.595, 730.3, 208;
49/DIG. 2, 504

See application file for complete search history.

(56) **References Cited**

U.S. PATENT DOCUMENTS

D343,463 S 1/1994 Cole
D364,472 S 11/1995 Goss
5,544,457 A * 8/1996 Labrecque 52/204.69
D377,223 S * 1/1997 Macri D25/124

OTHER PUBLICATIONS

Mikron Part No. 8704 first drawn on Apr. 15, 2003, first sold Nov. 5, 2003 and conceived by Timothy Wickland.

Mikron Part No. 8058 first drawn on Oct. 29, 1999 and first sold on Feb. 16, 2001.

Mikron Part No. 6905 first drawn on fMar. 23, 1994 and first sold on Jun. 15, 1994.

* cited by examiner

Primary Examiner—Doris Clark

(74) *Attorney, Agent, or Firm*—Black Lowe & Graham PLLC

(57) **CLAIM**

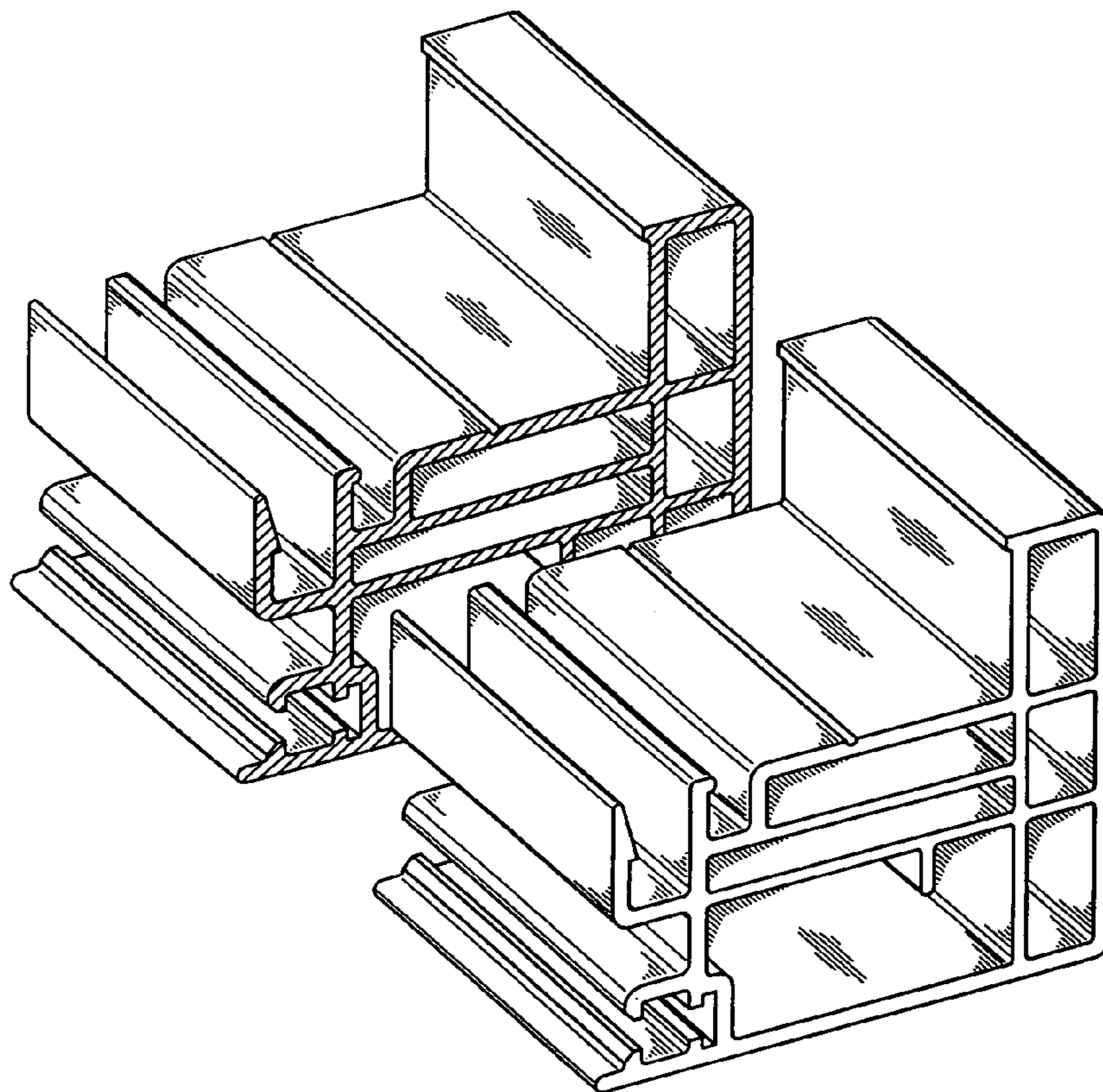
The ornamental design for a window component extrusion 9499, as shown and described.

DESCRIPTION

FIG. 1 is a top right perspective view of the window component extrusion 9499 which is broken in the center indicating indefinite length; and,

FIG. 2 is a bottom left perspective view thereof.

1 Claim, 2 Drawing Sheets



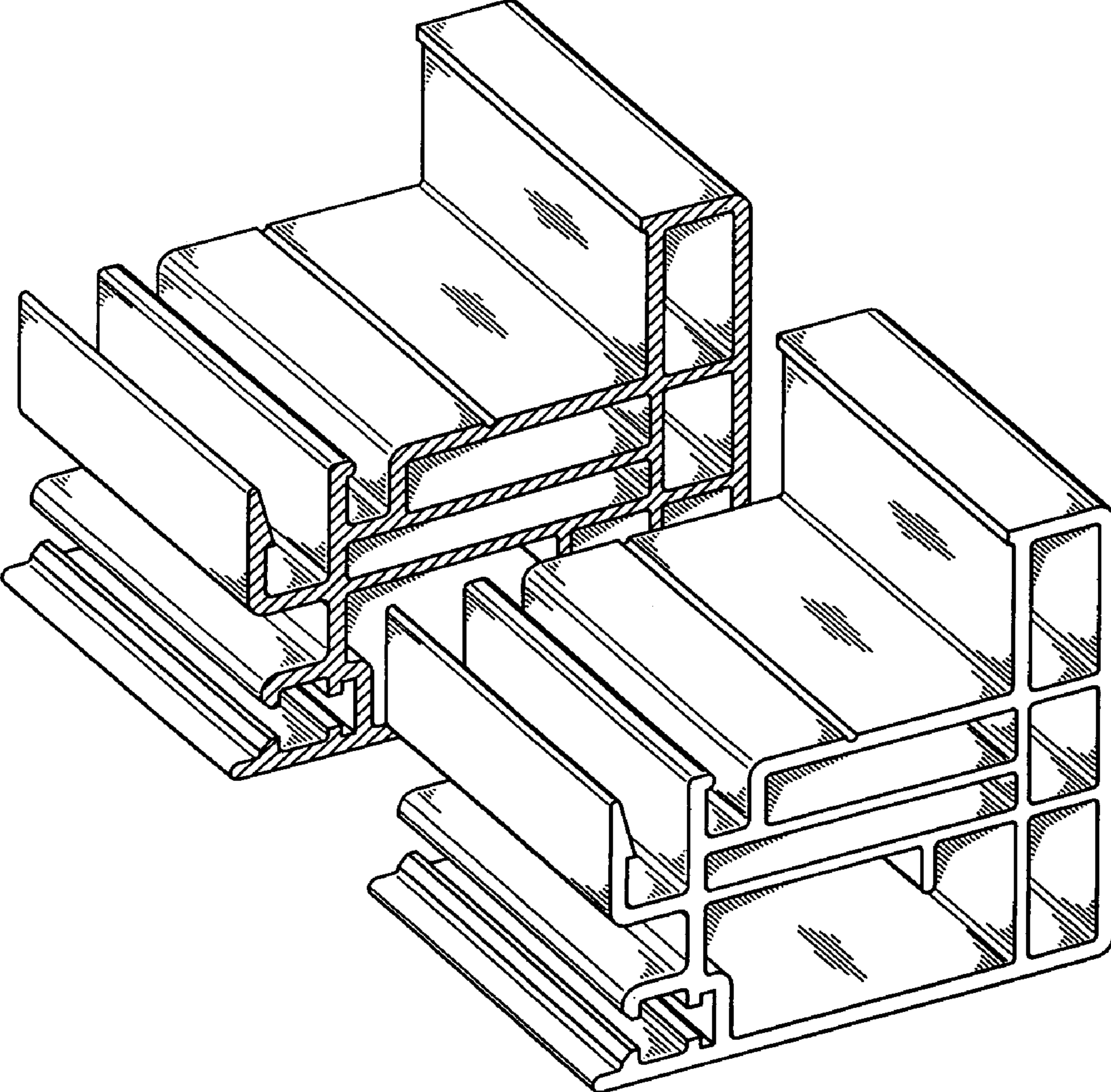


FIG.1

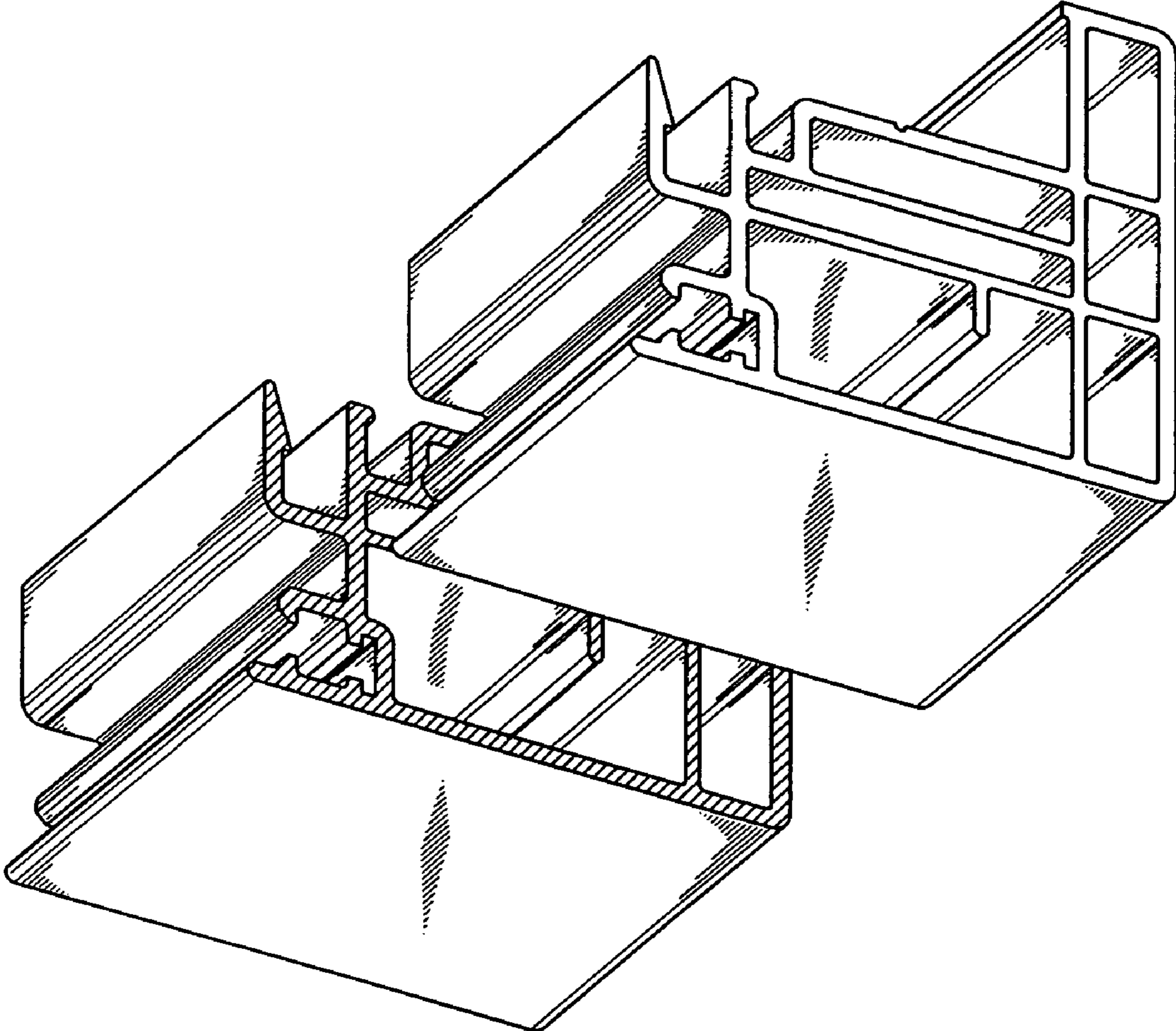


FIG.2