



US00D558360S

(12) **United States Design Patent**
Lockbeam

(10) **Patent No.:** **US D558,360 S**

(45) **Date of Patent:** **** Dec. 25, 2007**

(54) **WINDOW COMPONENT EXTRUSION**

D500,867 S * 1/2005 Franson D25/124
D501,936 S * 2/2005 Kim D25/124

(75) Inventor: **Michael D. Lockbeam**, Spanaway, WA
(US)

* cited by examiner

(73) Assignee: **Mikron Industries, Inc.**, Kent, WA
(US)

Primary Examiner—Doris Clark
(74) *Attorney, Agent, or Firm*—David C. Gadd

(**) Term: **14 Years**

(57) **CLAIM**

(21) Appl. No.: **29/266,669**

The ornamental design for a window component extrusion,
as shown and described.

(22) Filed: **Sep. 25, 2006**

(51) **LOC (8) Cl.** **25-01**

(52) **U.S. Cl.** **D25/124**

(58) **Field of Classification Search** D25/119,
D25/124, 52, 60, 125; 52/204.1, 204.2, 204.5,
52/204.51, 656.5, 656.6, 213, 215, 204.71,
52/204.55, 204.593, 204.595, 730.3, 208;
49/DIG. 2, 504

See application file for complete search history.

DESCRIPTION

FIG. 1 is a top left perspective view of the window component extrusion which is broken in the center indicating indefinite length,

FIG. 2 is a bottom left perspective view of the window component extrusion shown in FIG. 1,

FIG. 3 is a top right perspective view of the window component extrusion shown in FIG. 1; and,

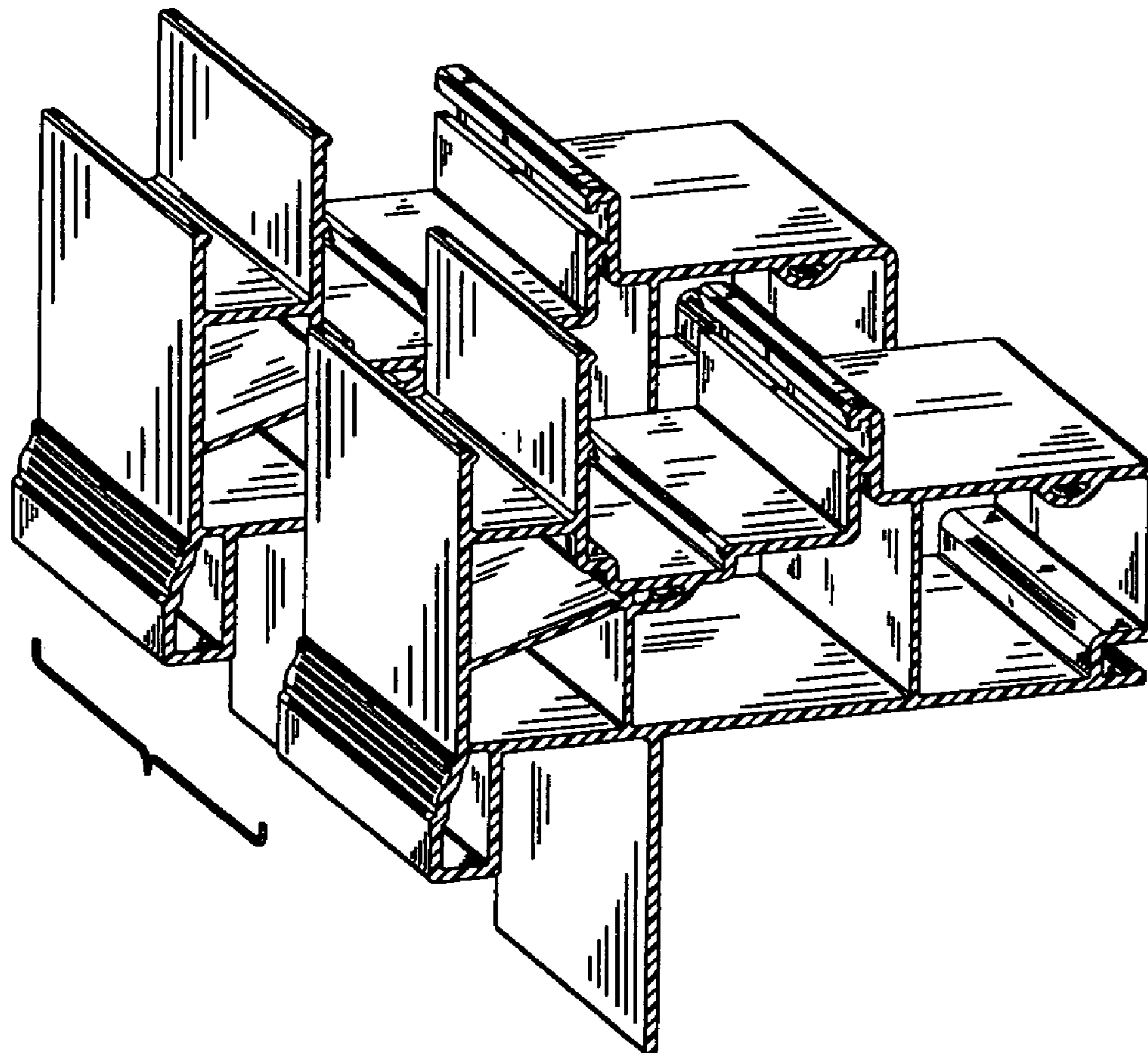
FIG. 4 is a bottom right perspective view of the window component extrusion shown in FIG. 1.

(56) **References Cited**

U.S. PATENT DOCUMENTS

D417,738 S * 12/1999 Tyra D25/124

1 Claim, 2 Drawing Sheets



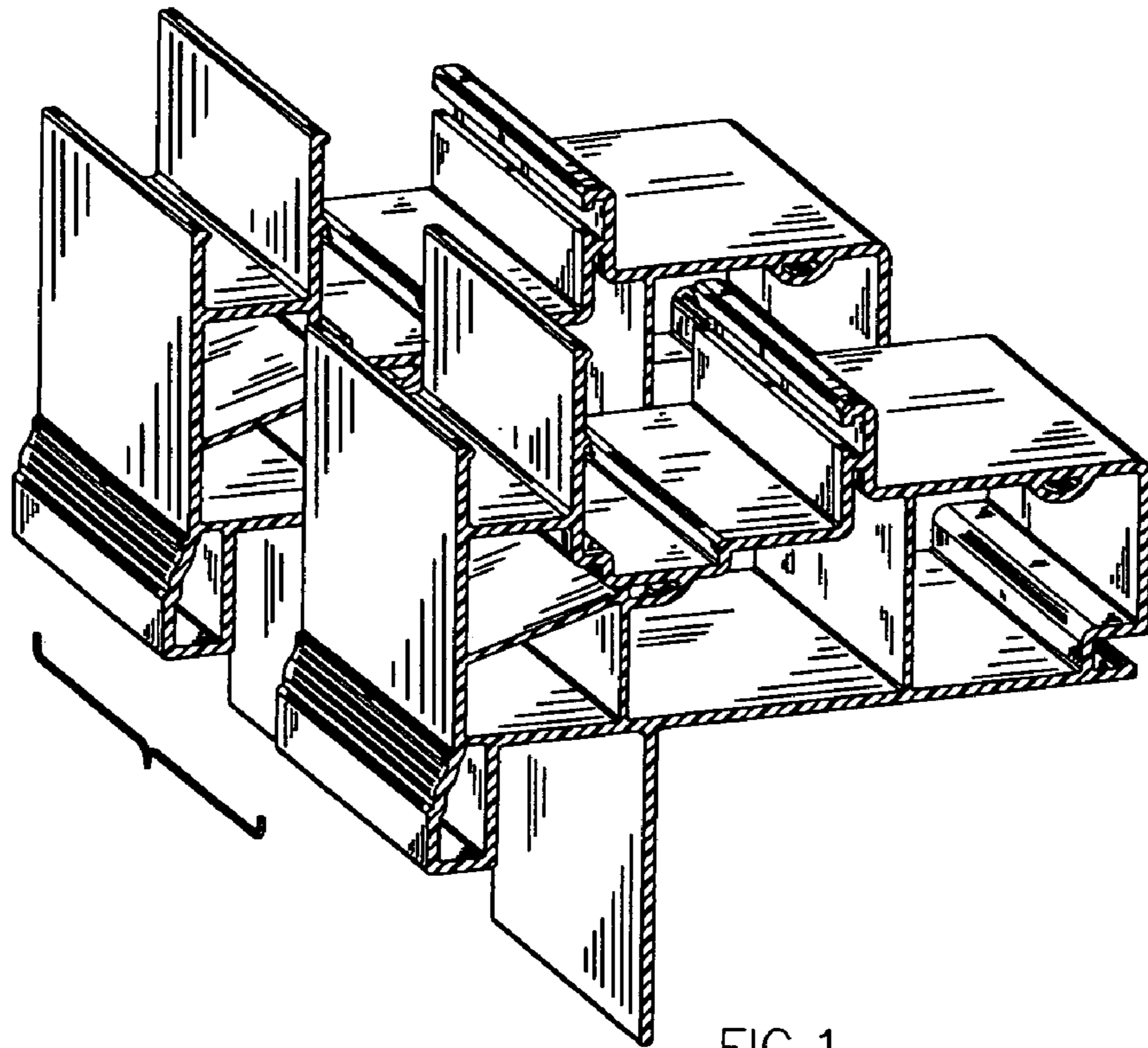


FIG. 1

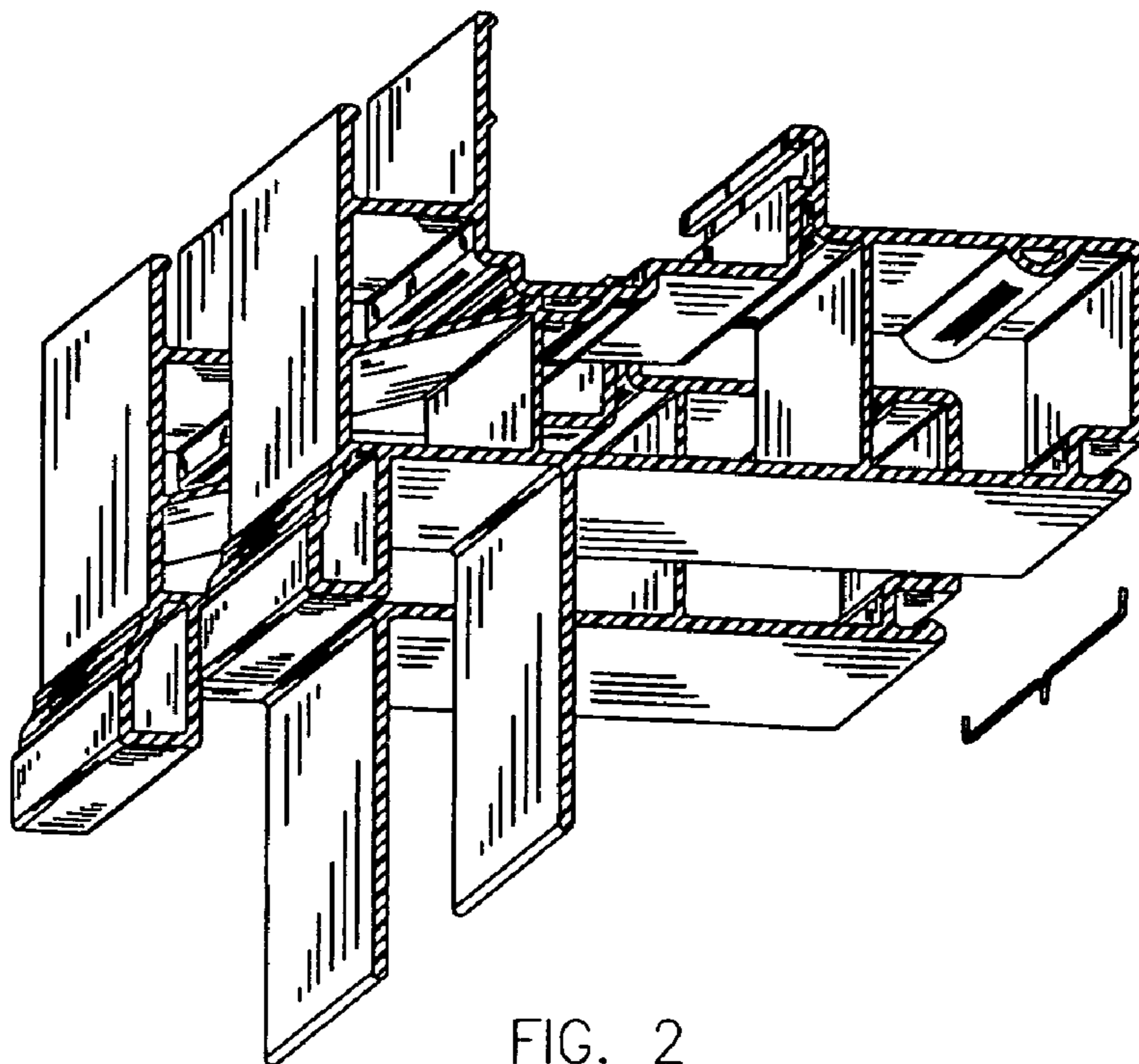


FIG. 2

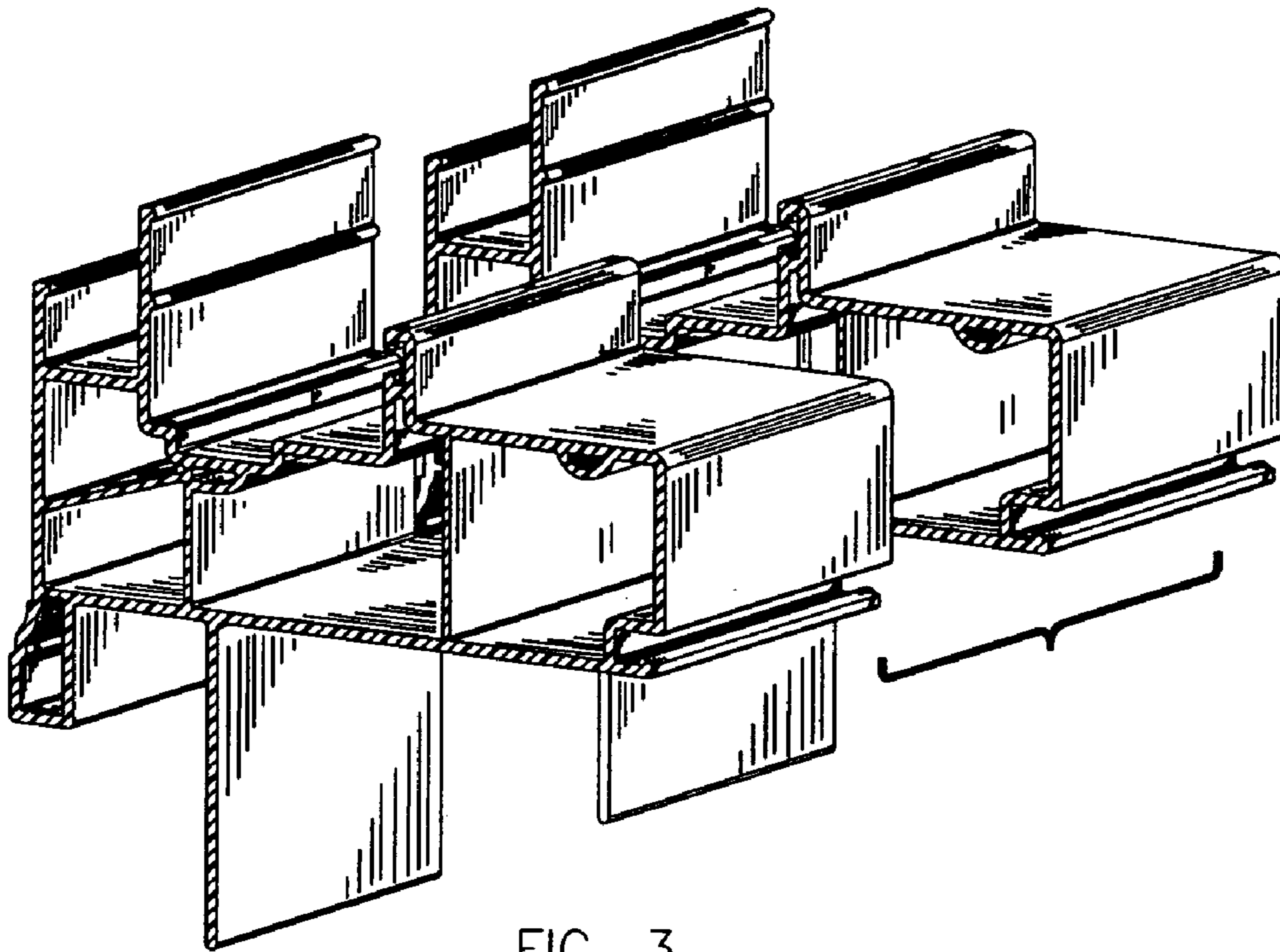


FIG. 3

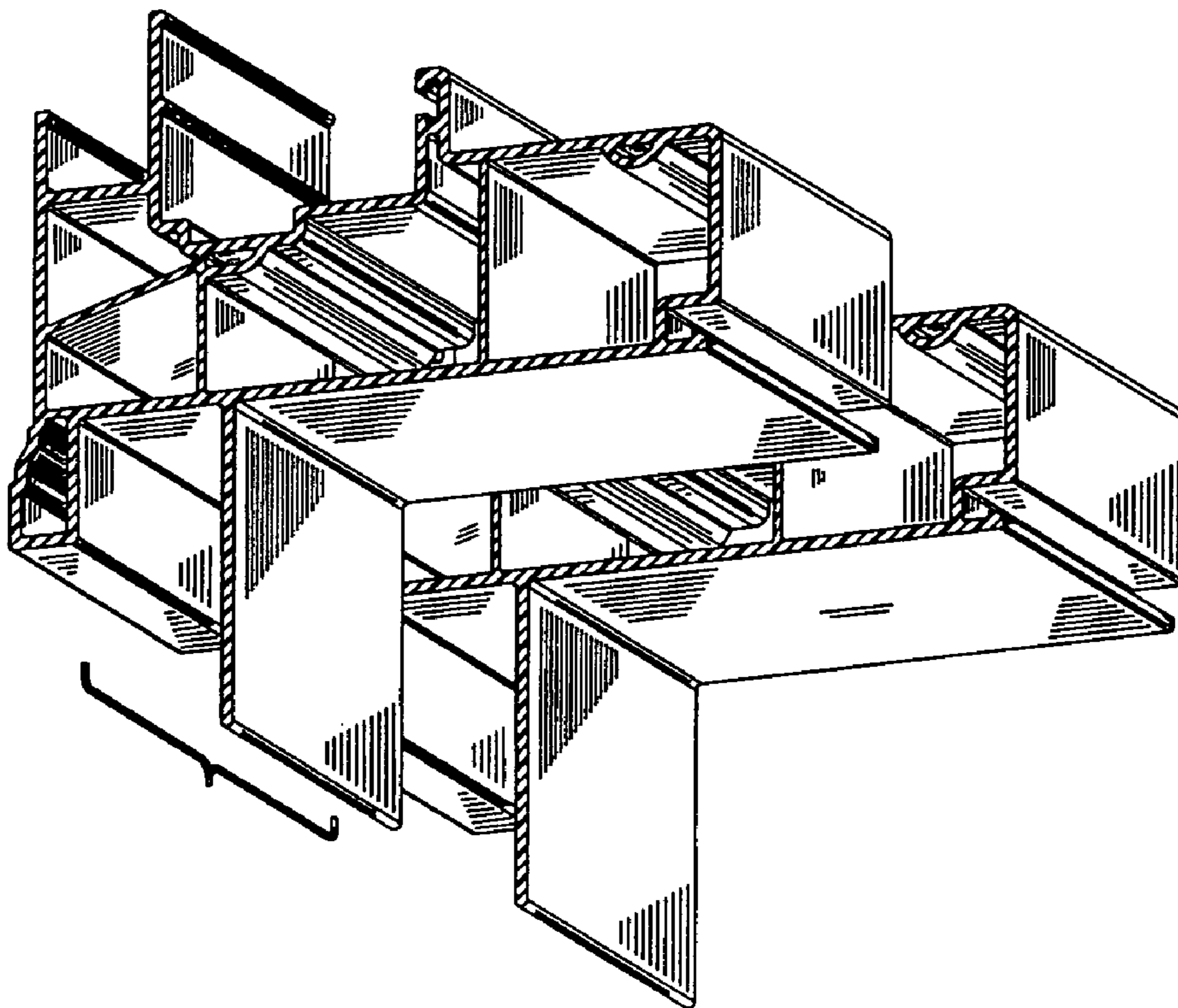


FIG. 4