



US00D558358S

(12) **United States Design Patent**
DiGennaro

(10) **Patent No.:** **US D558,358 S**

(45) **Date of Patent:** **** Dec. 25, 2007**

(54) **FRAME COMPONENT**

6,694,689 B1 * 2/2004 Scott et al. 52/392

(75) Inventor: **Ernest DiGennaro**, Thousand Oaks,
CA (US)

* cited by examiner

Primary Examiner—Doris Clark

(73) Assignee: **California Portable Dance Floor**
Company, Inc., Camarillo, CA (US)

(74) *Attorney, Agent, or Firm*—Ralph D. Chabot

(**) Term: **14 Years**

(57) **CLAIM**

The ornamental design for a frame component, as shown and described.

(21) Appl. No.: **29/248,685**

(22) Filed: **Aug. 29, 2006**

DESCRIPTION

(51) **LOC (8) Cl.** **25-02**

FIG. 1 is a top perspective view of my frame component taken from the top, front, right side.

(52) **U.S. Cl.** **D25/60**

FIG. 2 is a front elevation view thereof;

(58) **Field of Classification Search** D25/60;
52/392, 387, 458

FIG. 3 is a rear elevation view thereof;

See application file for complete search history.

FIG. 4 is a right side elevation view thereof; the left side elevation view being a mirror image of the right side elevation view;

(56) **References Cited**

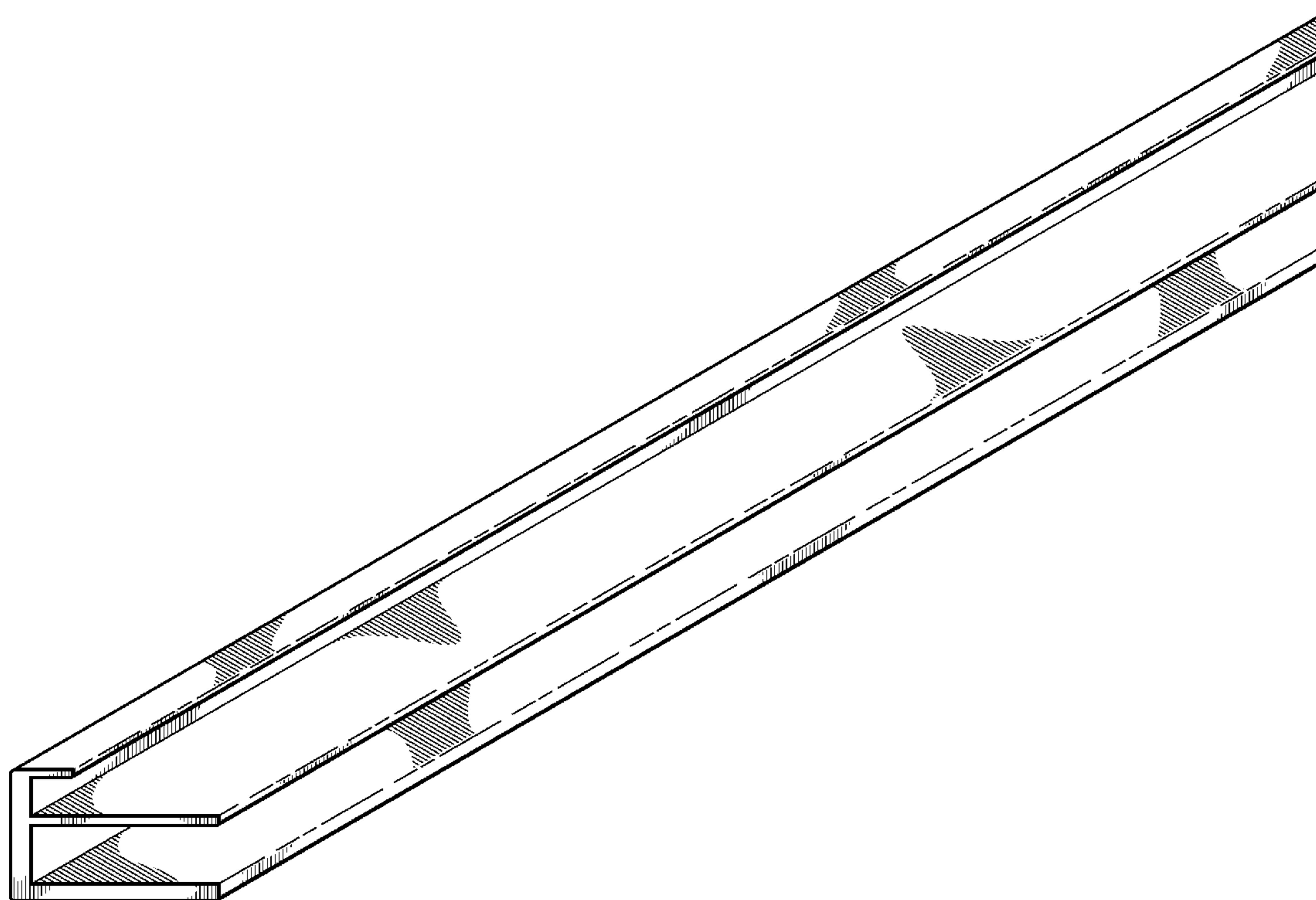
U.S. PATENT DOCUMENTS

- D375,801 S * 11/1996 Braudaway D25/60
- 5,634,309 A * 6/1997 Polen 52/392
- 6,128,881 A * 10/2000 Bue et al. 52/582.2

FIG. 5 is a top plan view thereof; and,

FIG. 6 is a bottom plan view thereof.

1 Claim, 3 Drawing Sheets



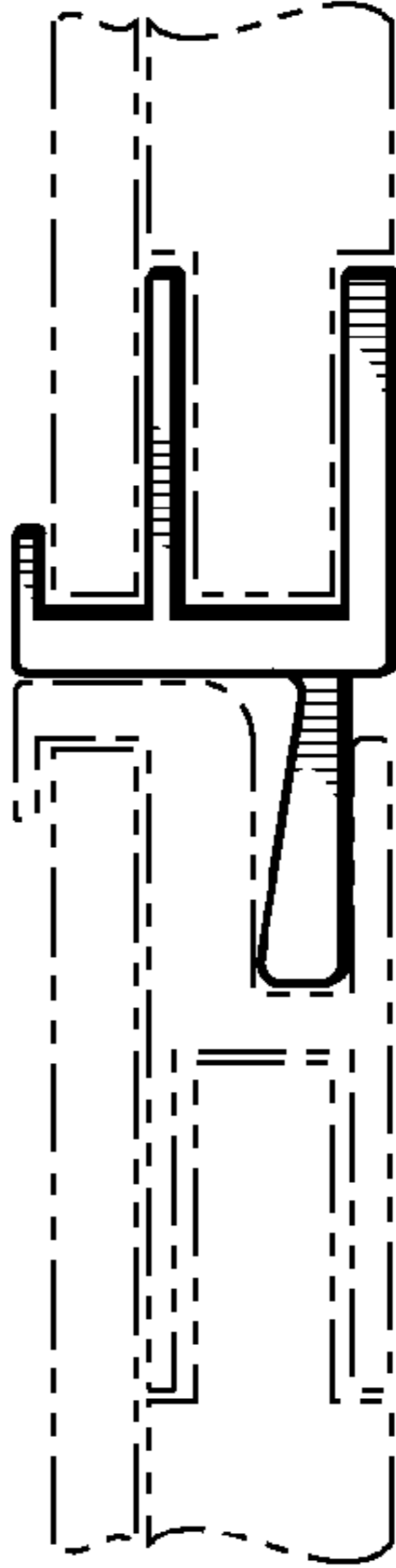
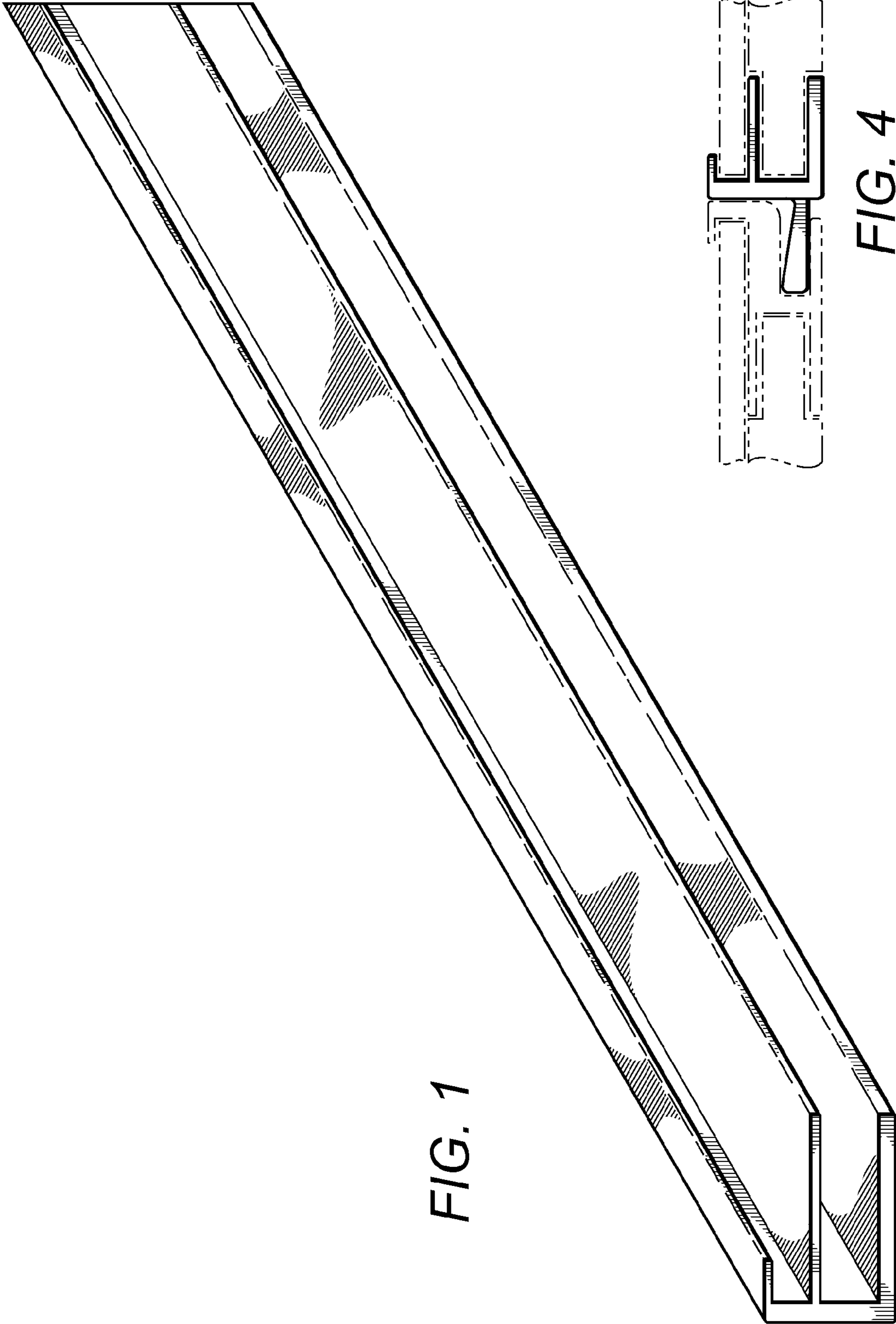


FIG. 2



FIG. 5

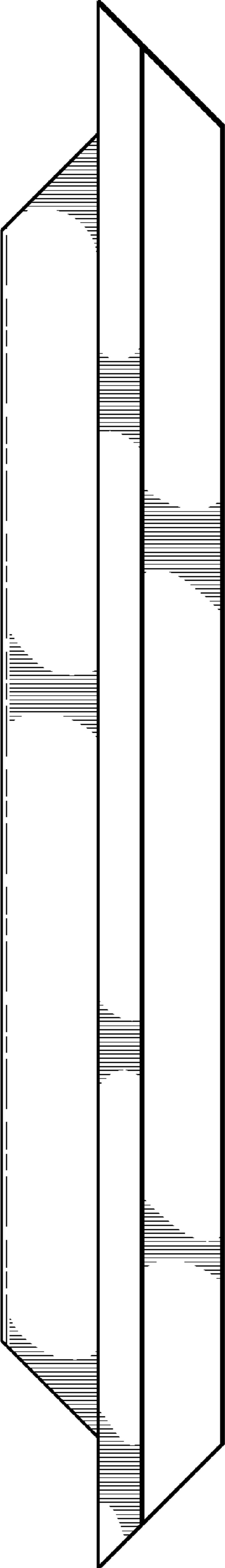


FIG. 3

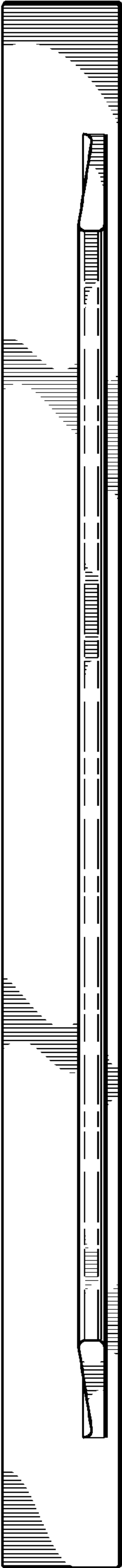


FIG. 6

