



US00D558357S

(12) **United States Design Patent**  
**Byrd et al.**

(10) **Patent No.:** **US D558,357 S**

(45) **Date of Patent:** **\*\* Dec. 25, 2007**

(54) **CONTAINER FOR CONTROL SOLUTION**

D383,851 S \* 9/1997 Wong ..... D24/224  
D401,697 S \* 11/1998 Cloonan et al. .... D24/224  
D431,299 S \* 9/2000 Lammie ..... D24/224

(75) Inventors: **Randy Byrd**, Pepperell, MA (US);  
**Corey Peters**, Shirley, MA (US)

\* cited by examiner

(73) Assignee: **Bionostics, Inc.**, Devens, MA (US)

*Primary Examiner*—Doris Clark

(\*\*) Term: **14 Years**

*Assistant Examiner*—Anhdao Doan

(21) Appl. No.: **29/268,456**

(74) *Attorney, Agent, or Firm*—McDermott Will & Emery, LLP

(22) Filed: **Nov. 7, 2006**

(57) **CLAIM**

(51) **LOC (8) Cl.** ..... **24-02**

The ornamental design for a container for control solution, as shown and described.

(52) **U.S. Cl.** ..... **D24/224**

(58) **Field of Classification Search** ..... D24/216–230,  
D24/110, 121; D9/439, 440, 503, 521; 422/99–102,  
422/104; 435/288.1, 288.2, 294.1, 295.1;  
356/246; 215/227, 296; D3/203.1, 203.2  
See application file for complete search history.

**DESCRIPTION**

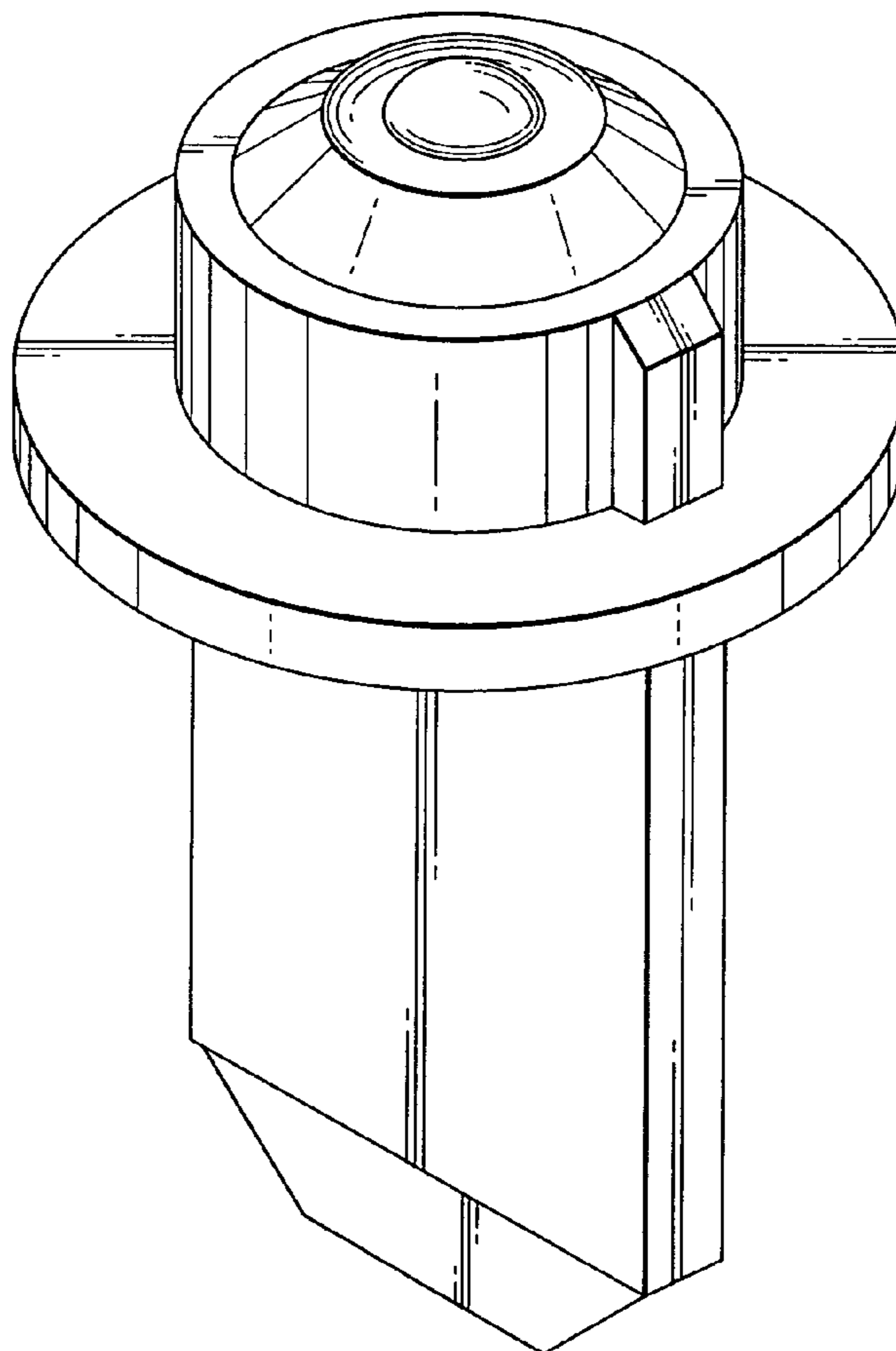
(56) **References Cited**

FIG. 1 is a front perspective view of a container for control solution, showing our new design;  
FIG. 2 is a front elevation view thereof;  
FIG. 3 is a side elevation view thereof;  
FIG. 4 is a top plan view thereof; and,  
FIG. 5 is a bottom plan view thereof.

U.S. PATENT DOCUMENTS

D243,628 S \* 3/1977 Biondo ..... D24/224  
D258,534 S \* 3/1981 Nagel ..... D24/224  
D383,214 S \* 9/1997 Brennan ..... D24/224

**1 Claim, 4 Drawing Sheets**



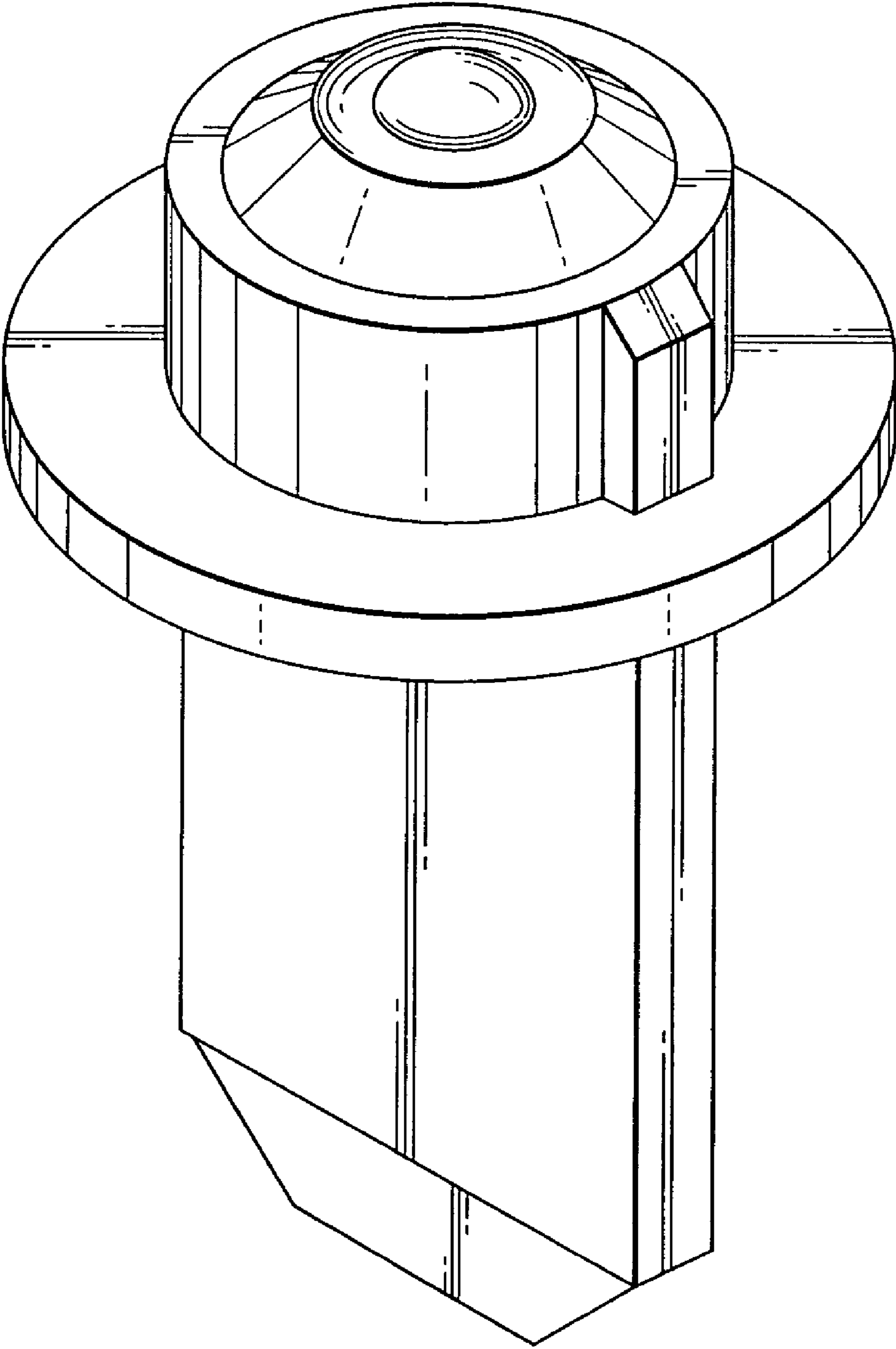


FIG. 1

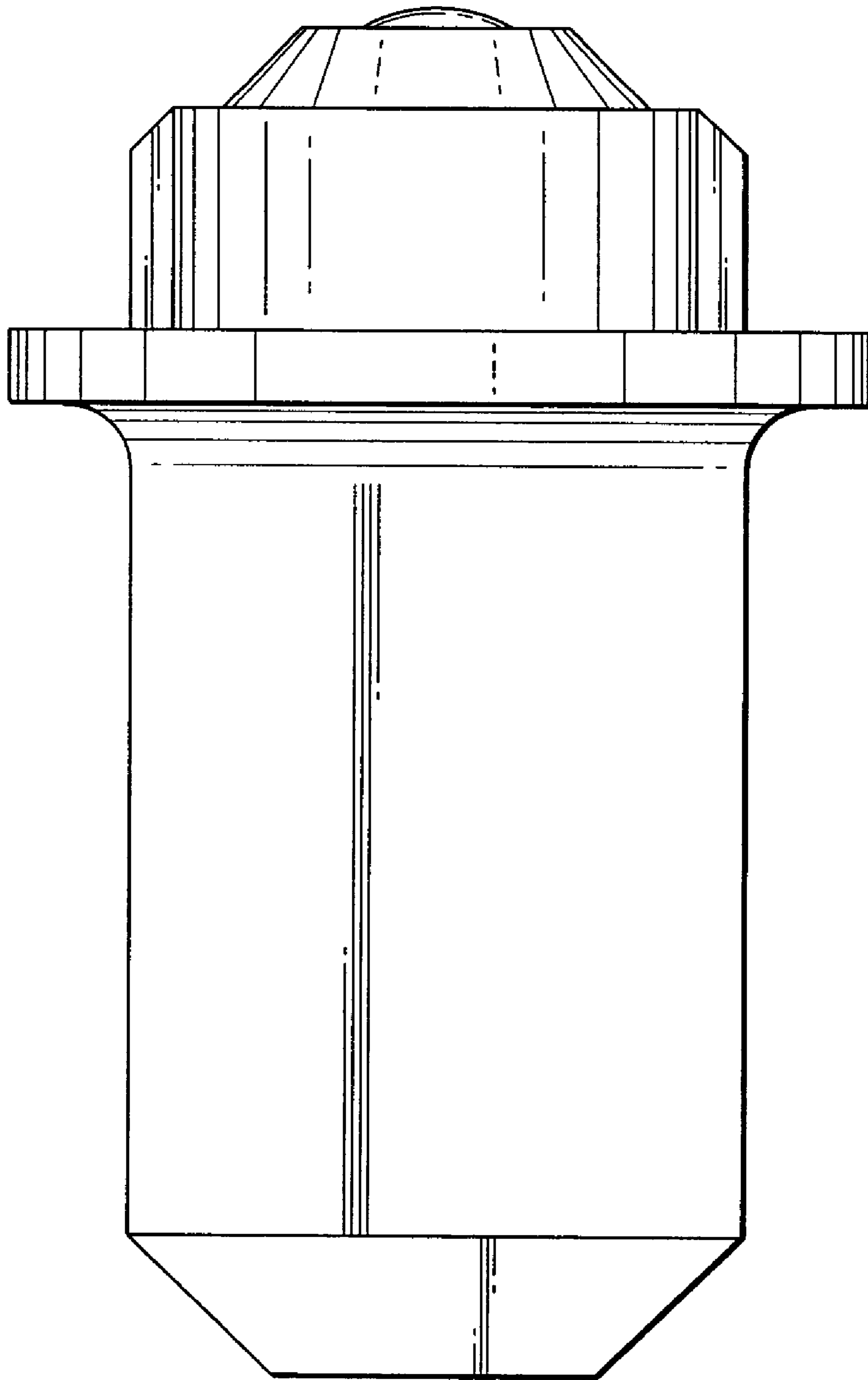


FIG. 2

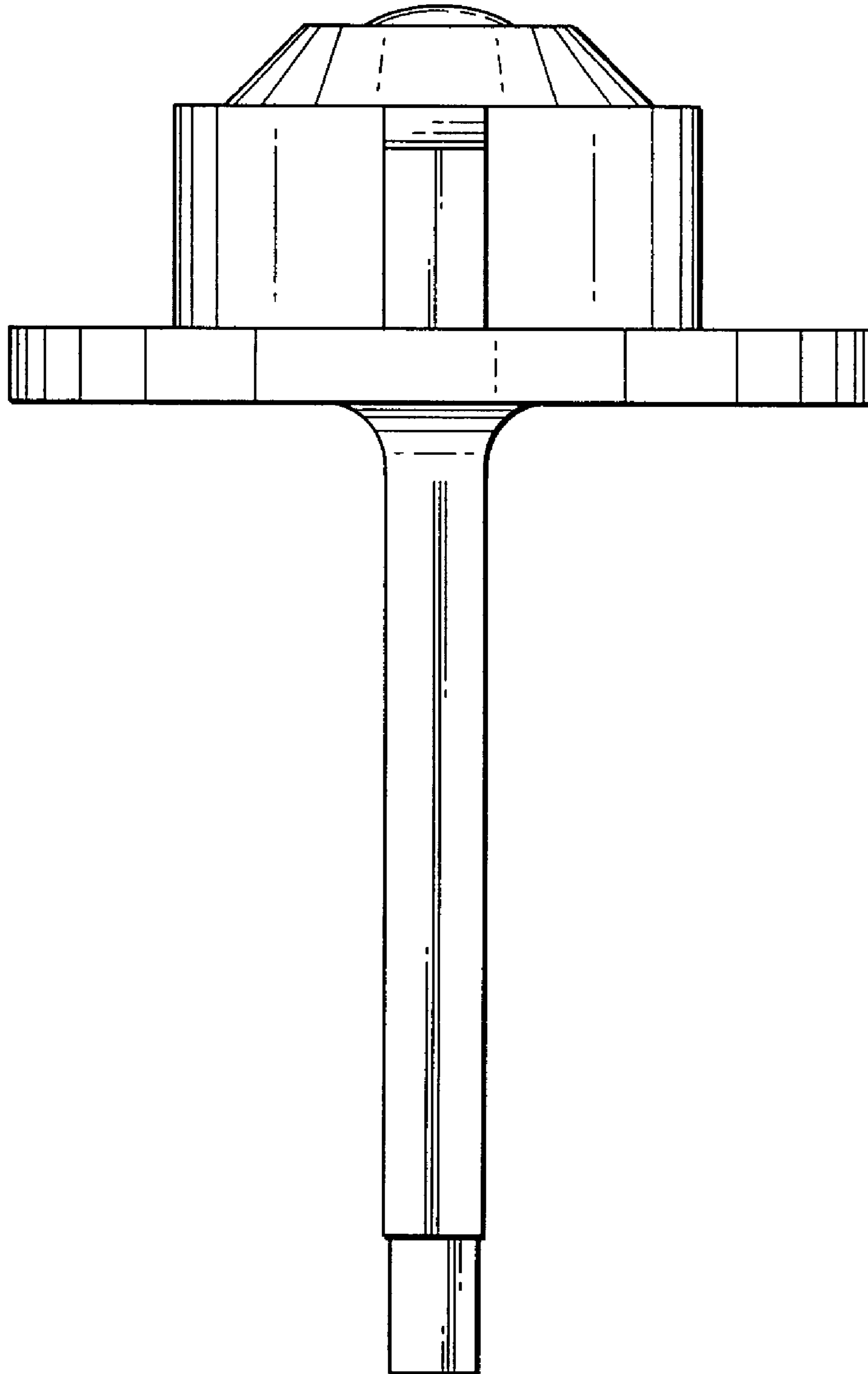


FIG. 3

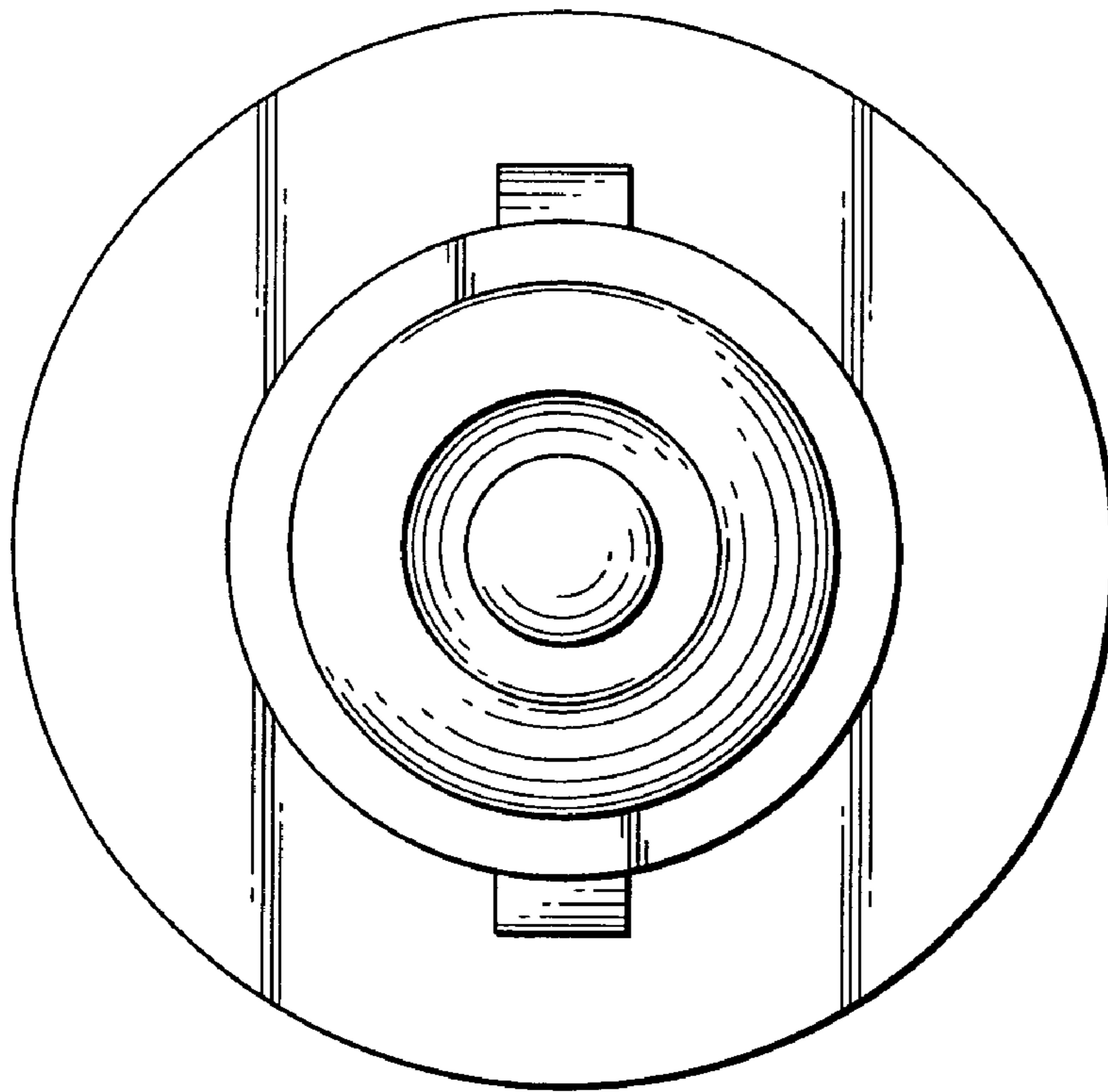


FIG. 4

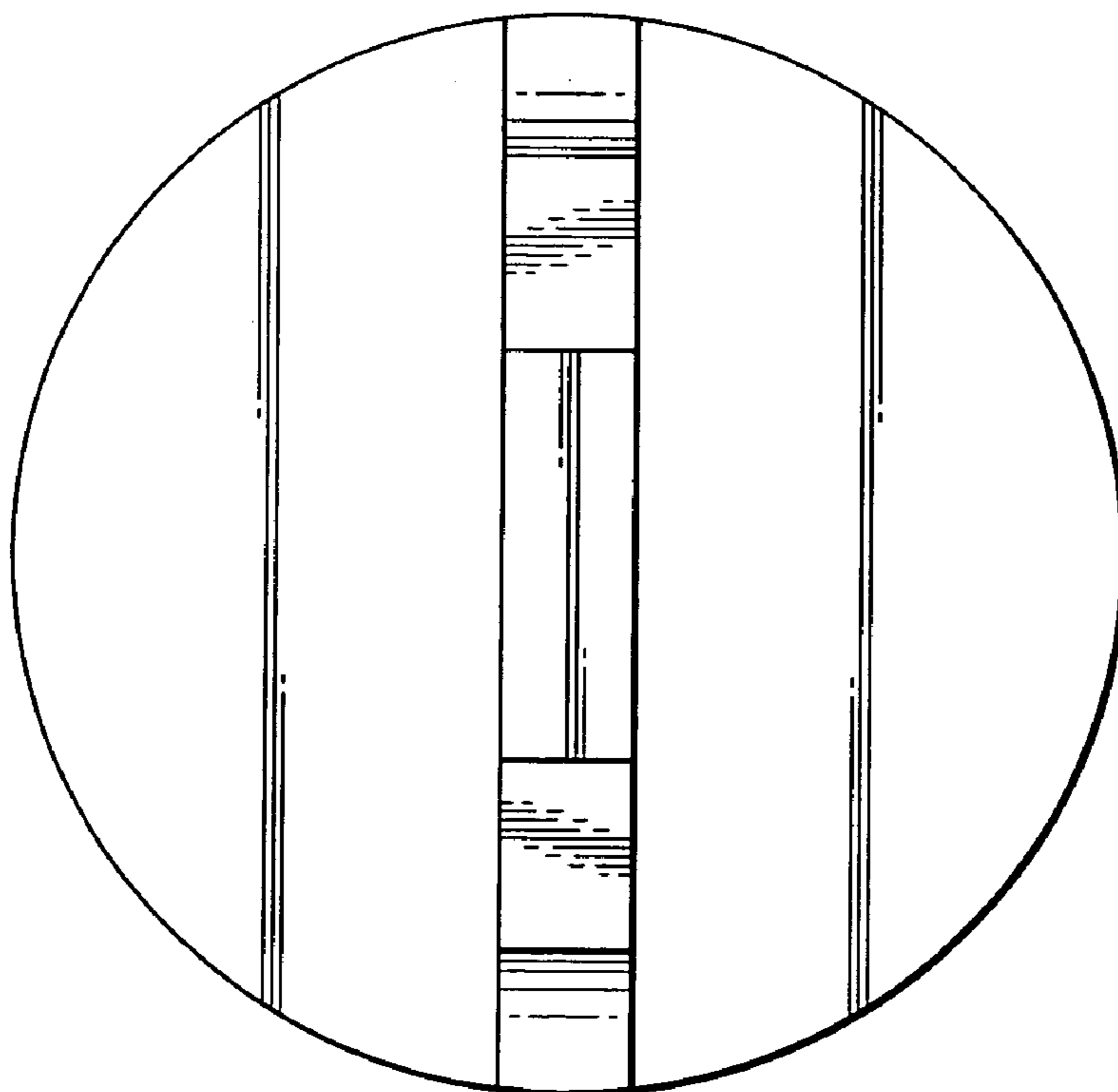


FIG. 5