



US00D558352S

(12) **United States Design Patent**
Sanfilippo

(10) **Patent No.:** **US D558,352 S**

(45) **Date of Patent:** **** Dec. 25, 2007**

(54) **MULTI-SNAP MEDICAL ELECTRODE WITH SEPARATE DUAL BACK CONNECTIONS**

(76) **Inventor:** **Robert Michael Sanfilippo**, 890 Calle La Primavera, Glendale, CA (US) 91208

(**) **Term:** **14 Years**

(21) **Appl. No.:** **29/233,751**

(22) **Filed:** **Jul. 11, 2005**

(51) **LOC (8) Cl.** **24-01**

(52) **U.S. Cl.** **D24/187**

(58) **Field of Classification Search** D24/167, D24/187, 182; 439/729; 600/382-384, 600/391-393, 372; 607/148-149, 152
See application file for complete search history.

(56) **References Cited**

U.S. PATENT DOCUMENTS

D409,752 S *	5/1999	Bishay et al.	D24/187
D429,337 S *	8/2000	Sanfilippo	D24/187
D456,907 S *	5/2002	Sanfilippo	D24/187
D468,433 S *	1/2003	Wagner et al.	D24/187
D471,281 S *	3/2003	Baura et al.	D24/187
D475,138 S *	5/2003	Baura et al.	D24/187
D495,055 S *	8/2004	Silber	D24/187
D498,848 S *	11/2004	Vaisnys et al.	D24/187

D524,943 S *	7/2006	Faller et al.	D24/167
D536,673 S *	2/2007	Silber	D13/182
7,214,107 B2 *	5/2007	Powell et al.	439/729
7,215,989 B1 *	5/2007	Burks	600/393

* cited by examiner

Primary Examiner—Robert A. Delehanty

Assistant Examiner—Mark Cavanna

(57) **CLAIM**

The ornamental design for multi-snap medical electrode with separate dual back connections, as shown and described.

DESCRIPTION

FIG. 1 is a top perspective view of a multi-snap medical electrode with separate dual back connections showing my new design;

FIG. 2 is a front view thereof;

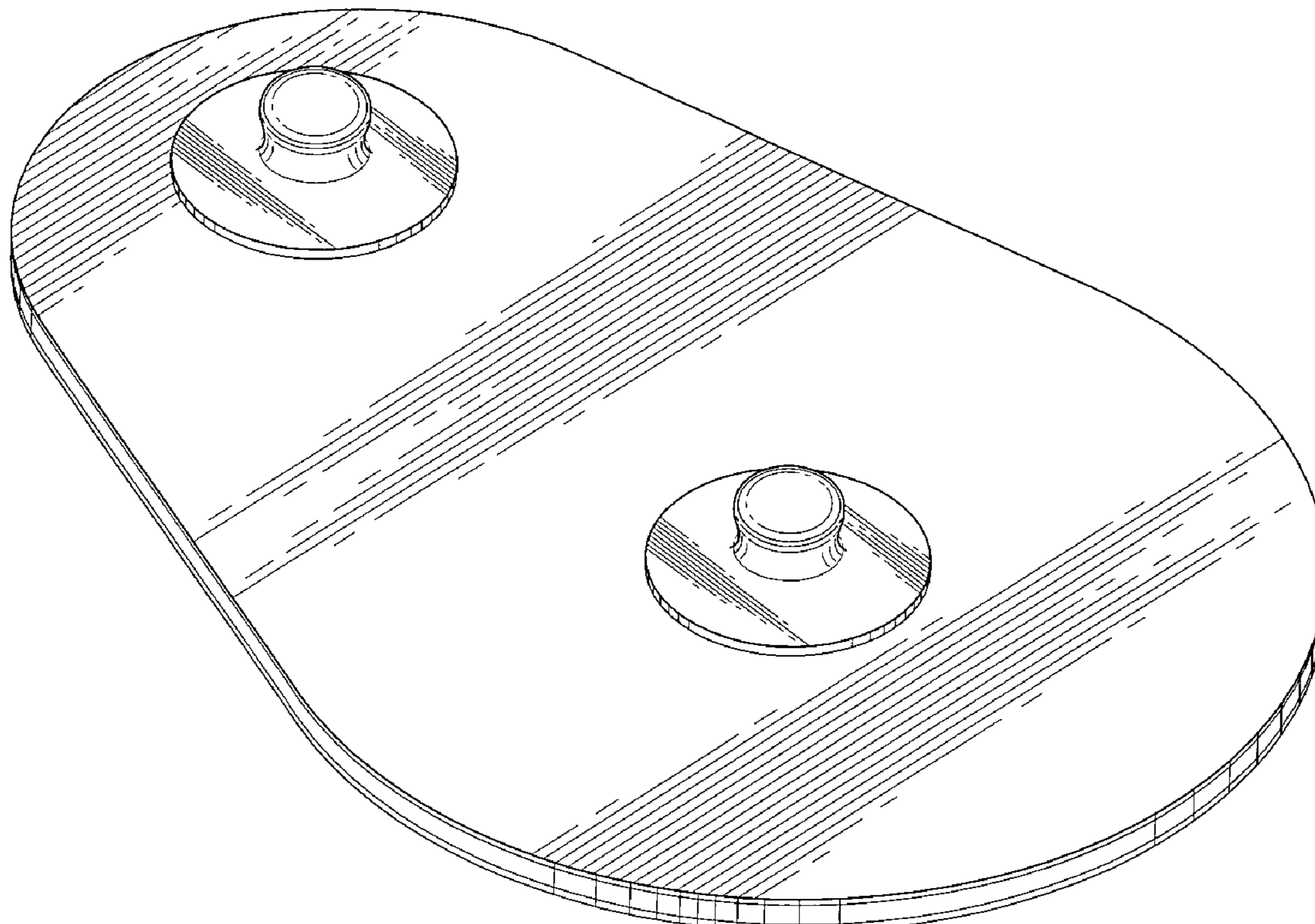
FIG. 3 is a side view with the opposite being a mirror image thereof;

FIG. 4 is a top view thereof;

FIG. 5 is a bottom view thereof; and,

FIG. 6 is a back view thereof.

1 Claim, 3 Drawing Sheets



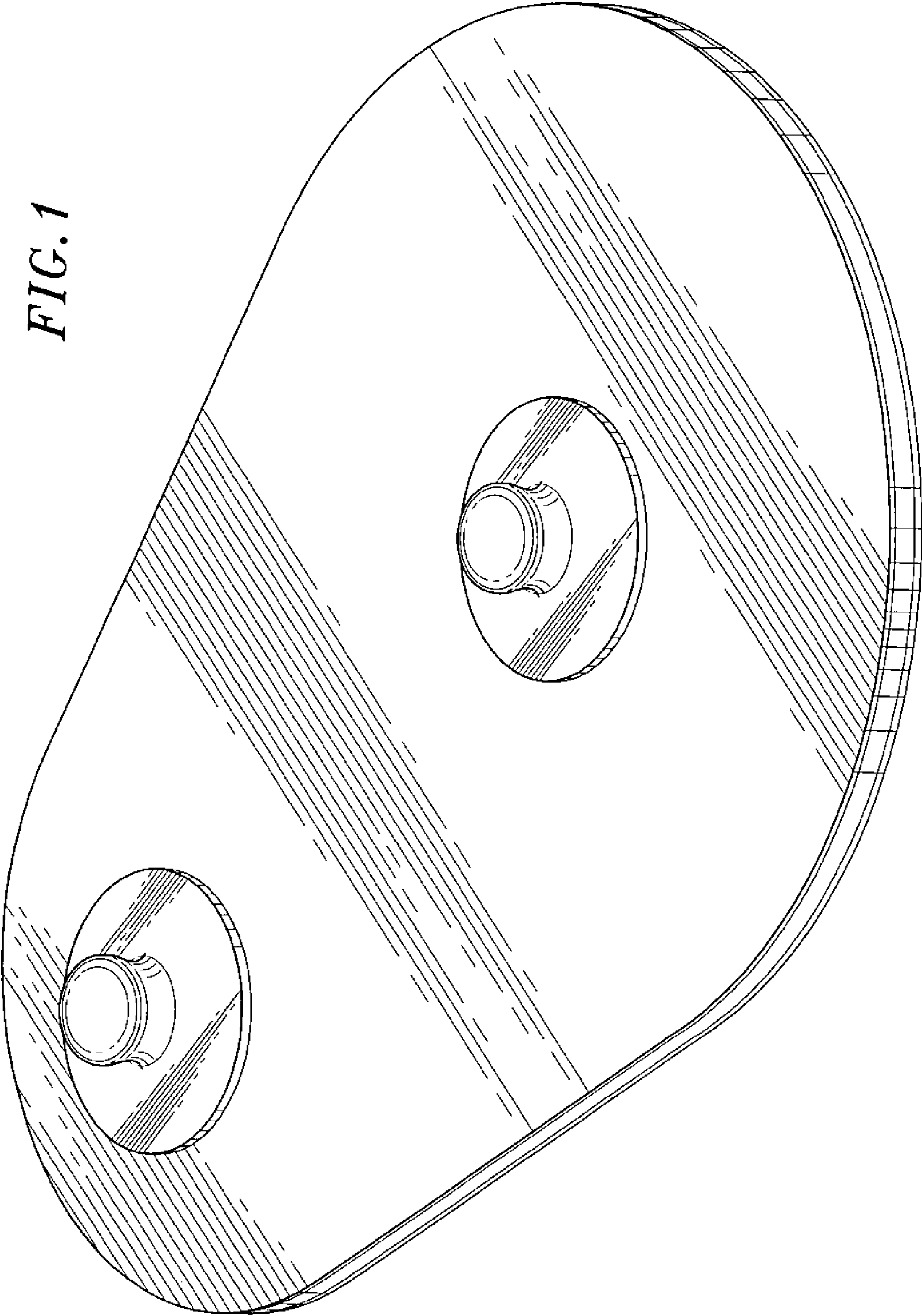


FIG. 1

FIG. 5

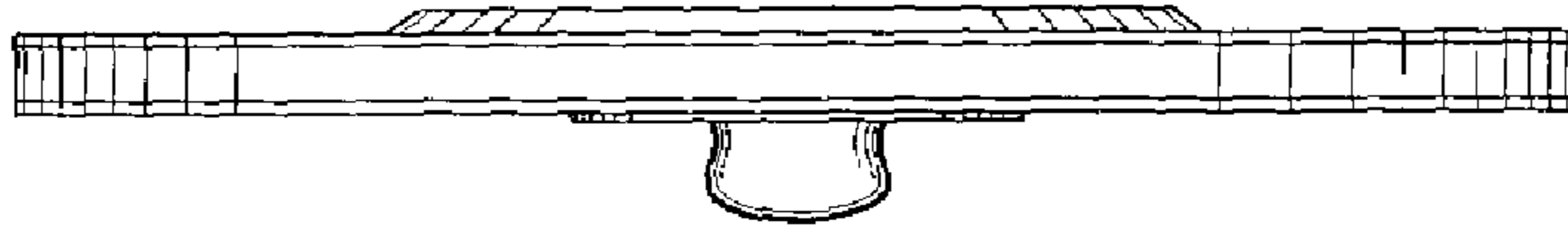


FIG. 2

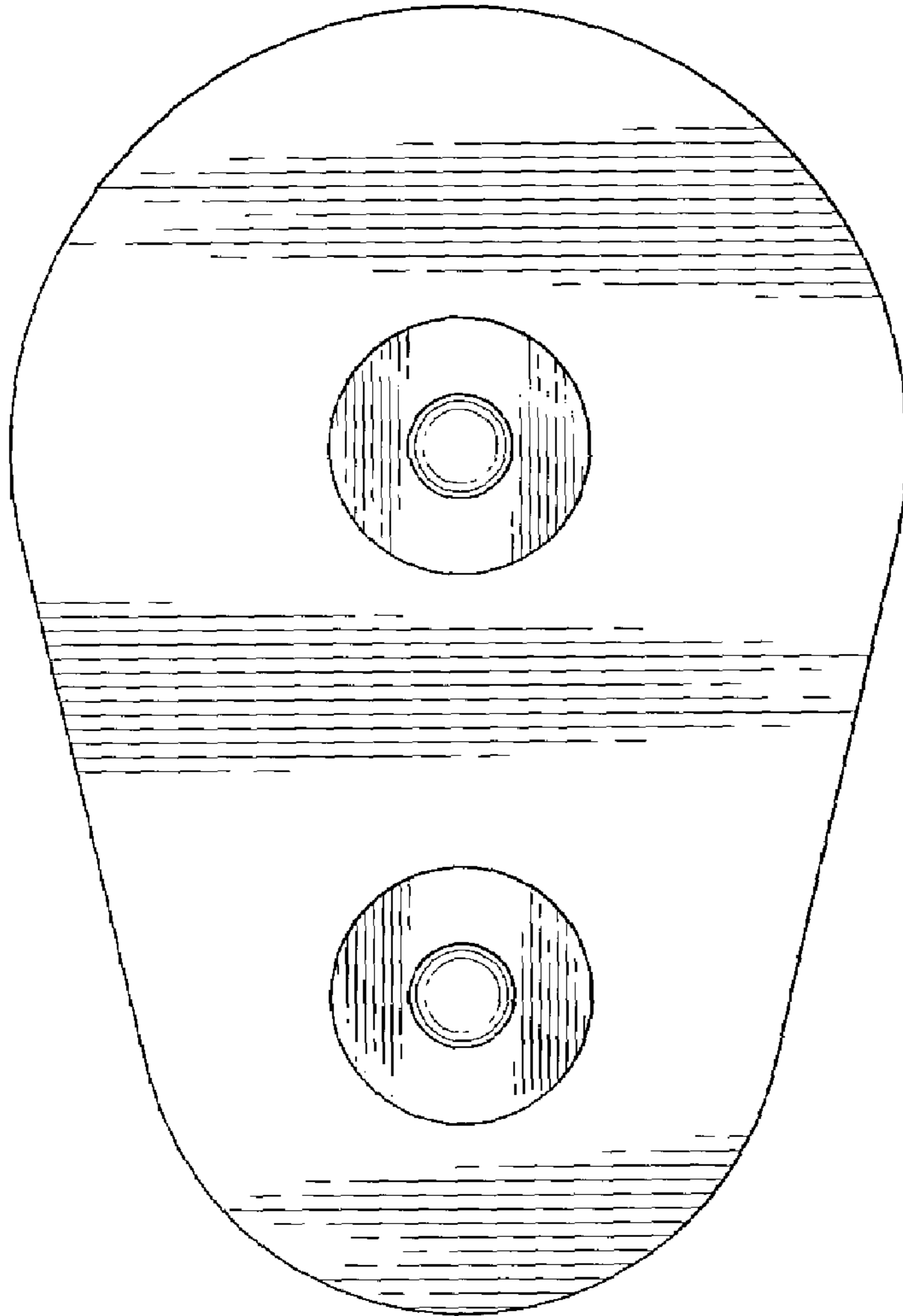


FIG. 4

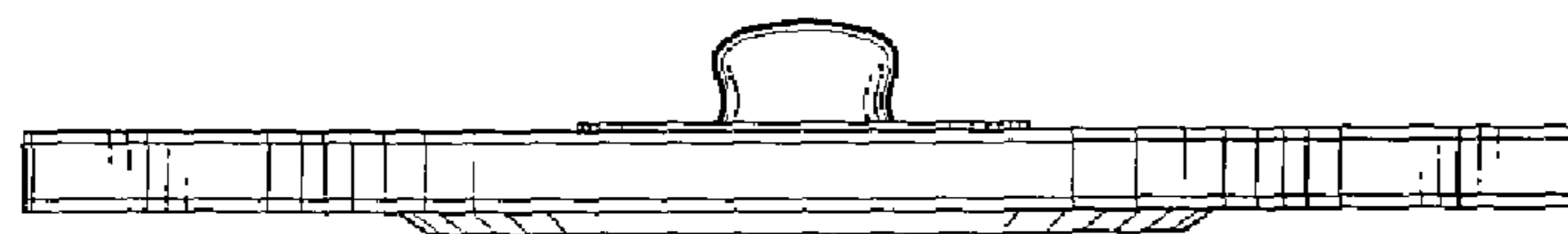


FIG. 3



FIG. 6

